

NB: Part No. Rationalisation – any 10 digit part numbers in brackets are the old part numbers for otherwise identical components

STYLUS PHOTO R300

Page No.:1

REF.	PART NO	DESCRIPTION	SPEC	QTY
100	1262374	HOUSING,MIDDLE;EDG		1
101	1270802	COVER,PRINTER,,ASSY		1
102	1268972	HOUSING UPPER ASSY.;EPPI		1
104	1268974	PAPER SUPPORT ASSY.,C546,ASP		1
105	1268967	STACKER ASSY.;EPPI		1
111	1262391	COVER,LCD		1
120	1267152	COVER,COLOR LCD;EBM		1
N/A	1270614	PAPER SUPPORT ASSY.B;EPPI		1
200	2083880	BOARD ASSY.,MAIN	5976A,STANDARD	1
300	1273903	POWER SUPPLY ASSY.;C536,PSE,ASP		1
450	2084925	BOARD ASSY.,PANEL	5979B,STANDARD	1
500	2087073	PRINTER MECHANISM(ASP)		1
501	1261530	CARRIAGE		1
502	1262262	OIL PAD,RING		1
503	1261535	HOLDER,PAD,RING		1
504	1261542	HOLDER,FFC		1
505	1269923	HOLDER,FFC;B		1
506	2036378	BOARD ASSY.,DETECTOR,PH		1
507	1249464	CAP,DETECTOR,PW		1
508	1269561	GUIDE,IC		1
509	1020896	C.B(P)SCREW	M2.5X8 F/ZN	1
510	1261531	HOLDER,I/C		1
511	2082722	HARNESS,PW		1
512	2086286	BOARD ASSY.,ENCORDER		1
513	1266896	TIMING BELT;C		1
514	1269562	LEVER,CARTRIDGE		1
515	2084784	CABLE,HEAD		1
516	1261545	SHAFT,CR,GUIDE		1
517	1268941	HOLDER SHAFT ASSY.,ASP		1
518	1075955	ROLLER,LD;B		1
519	1261564	EXTENSION SPRING,3.289		1
520	1081759	SCALE,CR		1
521	1269185	APG ASSY,ASP		1
523	1268952	PAPER GUIDE UPPER SET ASSY.,ASP		1
524	1262451	COVER,GUIDE FRAME,CR		1
525	2084785	MOTOR ASSY,CR		1
526	1269821	FIXED PLATE,SPRING,CR SHAFT,RIGHT		1
527	1261550	BUSHING,PALLEL ADJUST,RIGHT		1
529	1263326	FIXED SPRING,CR SHAFT,LEFT		1
531	1269003	PAPER GUIDE FRONT ASSY.,ASP		1
532	1261588	POROUS PAD,PAPER GUIDE,FRONT		1
533	1270159	POROUS PAD,PAPER GUIDE,FRONT,SUPPORT		1
534	1270222	POROUS PAD,PAPER GUIDE,FRONT,LEFT		1
535	1261592	SPUR GEAR,41.38		1
537	1263325	TORSION SPRING,122.2		1
538	2084790	MOTOR ASSY.,PF		1
539	1268957	FRAME EJ,ASSY.,ASP		1
540	1268949	ROLLER EJ ASSY.;ASP		1
542	1043083	COMPRESSION SPRING,5.1		1
543	1040649	LOCK,STACKER		1
545	1264580	INK SYSTEM ASSY.		1
546	1262113	LEVER,LOCK,SLIDER		1
547	1244305	COMBINATION GEAR,27.2,19.2		1
548	1261630	LEVER,CHANGE		1

NB: Part No. Rationalisation – any 10 digit part numbers in brackets are the old part numbers for otherwise identical components

STYLUS PHOTO R300

Page No.:2

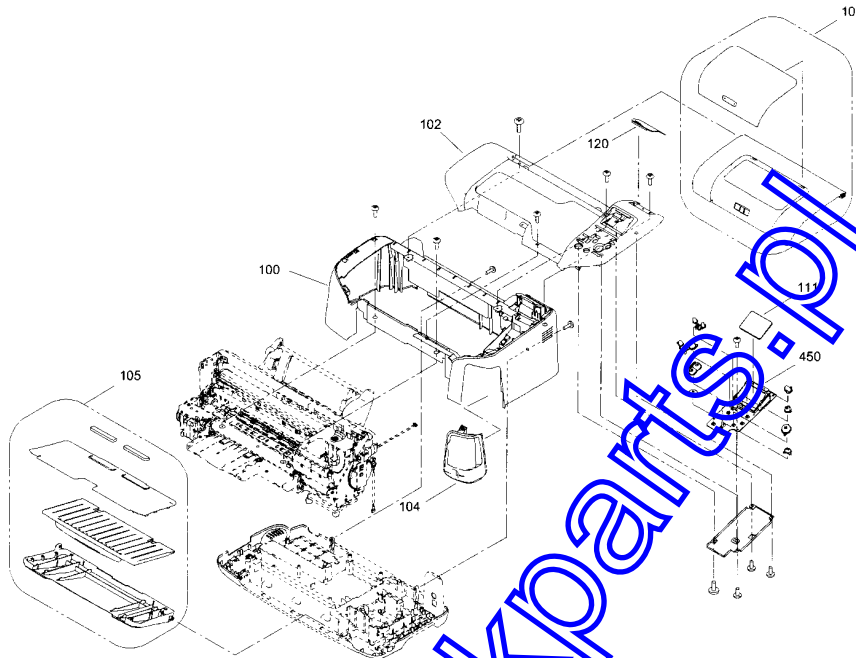
REF.	PART NO	DESCRIPTION	SPEC	QTY
549	1250632	COMPRESSION SPRING,2.36		1
550	1250989	SPUR GEAR,25.6		1
551	1244304	SPUR GEAR,27.2		1
552	1261596	COMBINATION GEAR,20.82,24		1
700	F151000	PRINT HEAD	540	1
701	1268944	ASF ASSY.;EPPI		1
703	1262190	COMPRESSION SPRING,2.51		1
704	1273897	POROUS PAD,INK EJECT,SMALL		2
705	1270054	POROUS PAD,INK EJECT,UPPER		1
705	1270055	POROUS PAD,INK EJECT,UPPER,SUPPORT		1
706	1269627	POROUS PAD,INK EJECT,LOWER		1
707	1262455	POROUS PAD,CAP,LOWER,LARGE		1
708	1272087	POROUS PAD,CAP,LOWER,SMALL		1
709	1270055	POROUS PAD,INK EJECT,UPPER,SUPPORT		1
710	1249453	POROUS PAD,SLIDER,CAP,D6		1
711	1244284	INSULATOR,FRAME,MAIN		1
712	1084662	FOOT,B		1
N/A	1277175	SPACER,FRAME,ASF		1
N/A	1258902	INK CART. UNBOXED BLACK		1
N/A	1258903	INK CART. UNBOXED CYAN		1
N/A	1258904	INK CART. UNBOXED MAGENTA		1
N/A	1258905	INK CART. UNBOXED YELLOW		1
N/A	1258906	INK CART. UNBOXED LIGHT CYAN		1
N/A	1258907	INK CART. UNBOXED LIGHT MAGENTA		1
N/A	1274077	SHEET CDR ASSY.		1
END				

www.drukparts.nl

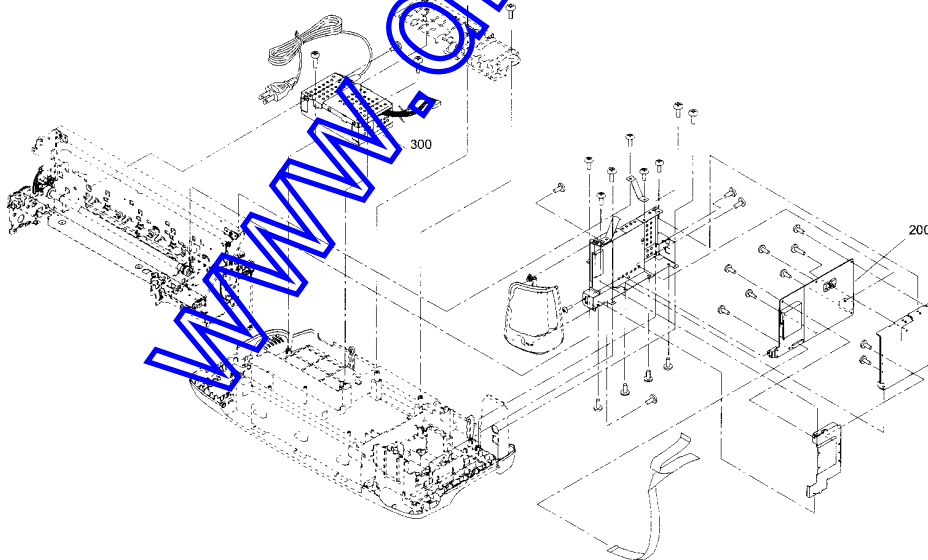
NB: Part No. Rationalisation – any 10 digit part numbers in brackets are the old part numbers for otherwise identical components

STYLUS PHOTO R300

Page No.:3



STYLUS PHOTO R300 NO.1

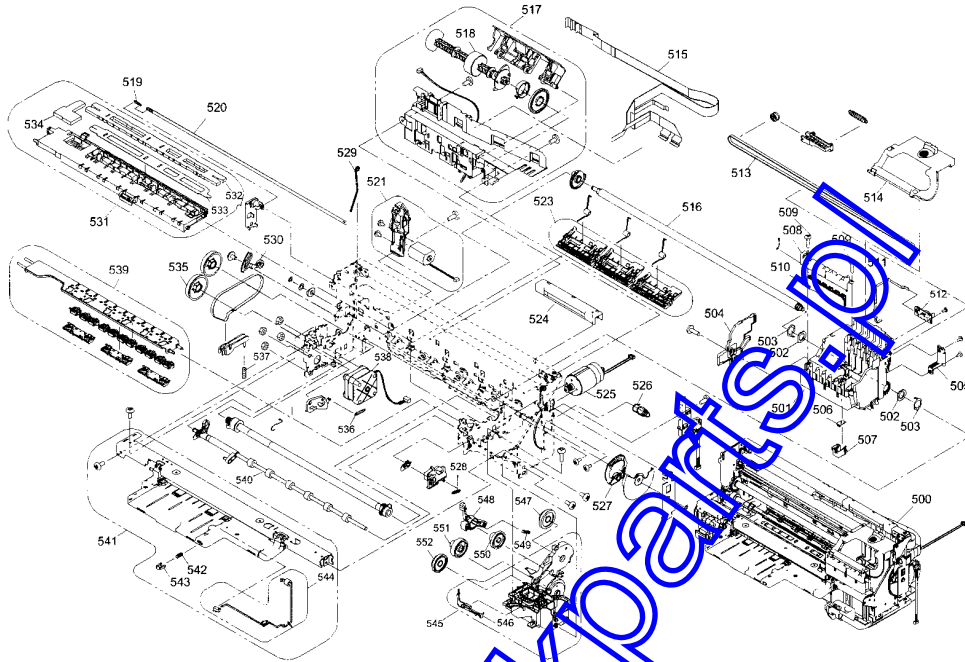


STYLUS PHOTO R300 NO.2

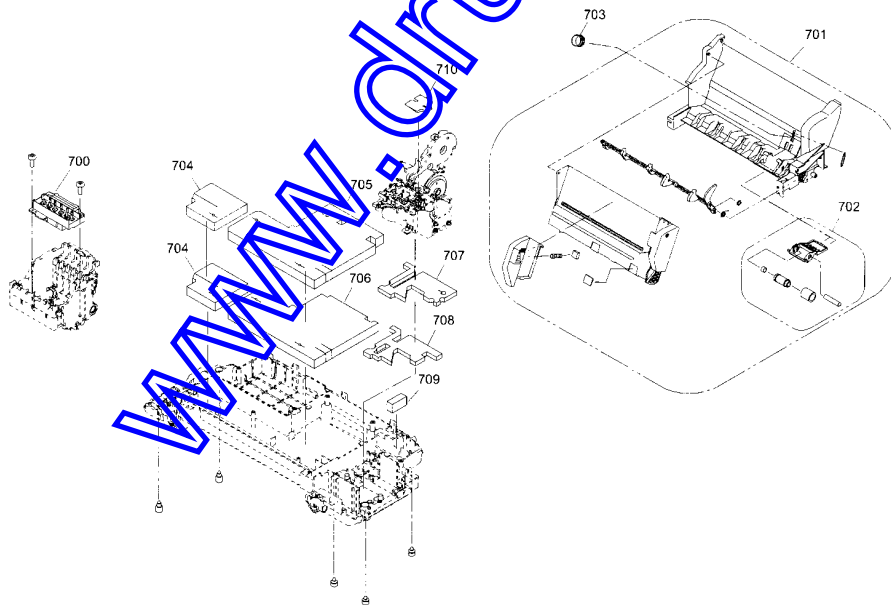
NB: Part No. Rationalisation – any 10 digit part numbers in brackets are the old part numbers for otherwise identical components

STYLUS PHOTO R300

Page No.:4



STYLUS PHOTO R300 NO.3



STYLUS PHOTO R300 NO.4