

NB: Part Number rationalisation – 10 digit part numbers in brackets are the old numbers for otherwise identical items

STYLUS PHOTO 830

Page No.:1

REF	PART NO	DESCRIPTION	SPEC	QTY
100	1108953	HOUSING,UPPER;C,EBM		1
101	1079896	PAPER SUPPORT;EDG		1
102	1091564	STACKER ASSY.,C417;EAI		1
103	1108249	BUTTON,SW		1
104	1155954	COVER,PRINTER ASSY.,SP830		1
200	2071286	BOARD ASSY.,MAIN	SEE NOTE BELOW	1
300	1212104	POWER SUPPLY ASSY. 240V		1
400	2020111	CORD SET,VD31303SR		1
500	2077583	PRINTER MECHANISM(ASP)MA614-101		1
501	F095001	PRINT HEAD	288	1
502	1113801	CARRIAGE ASSY		1
503	1155386	COVER CARTRIDGE BLACK;E ASSY		1
504	1155385	COVER CARTRIDGE COLOUR;C ASSY		1
505	2071414	CABLE,HEAD		1
508	1155382	HOLDER SHAFT ASSY		1
509	2071456	CARRIAGE MOTOR ASSY.,	337	1
511	1063422	POROUS PAD,PAPER GUIDE,FRONT		1
512	1084395	FRAME,FRONT ASSY.,C417		1
513	1073165	C.B.S. SCREW(B300204211)	M3X6	2
514	1084729	POROUS PAD,SLIDER,CAP		1
516	1084661	SHAFT,CR,GUIDE;B		1
518	1073171	C.B.S. SCREW(B300204311)	M3X8	1
519	1023043	+ BIND B-TITE SEMS W2,2.5X5 F/ZB		1
520	1080064	POROUS PAD,INK EJECT,SMALL;B		1
521	1080062	POROUS PAD,INK EJECT;B		3
523	1080427	FOOT		4
524	1078972	HOLDER,CABLE HEAD;B		1
700	1155388	ASF UNIT;F		1
701	1073165	C.B.S. SCREW(B300204211)	M3X6	3
702	1005019	C.B.P-TITE SCREW, M3,8,F/ZN	M3X8 F/ZN	1
703	1062972	COMPRESSION SPRING(C230)		1
705	1002097	C.B.S. SCREW	M3X12	2
706	1154279	POROUS PAD TUBE,STOPPER;E		1
711	1005019	C.B.P-TITE SCREW,M3,8,F/ZN	M3X8 F/ZN	1
N/A	1081992	INK CARTRIDGE, BLACK,AS		1
N/A	1081994	INK CARTRIDGE,COLOUR,AS		1
END				

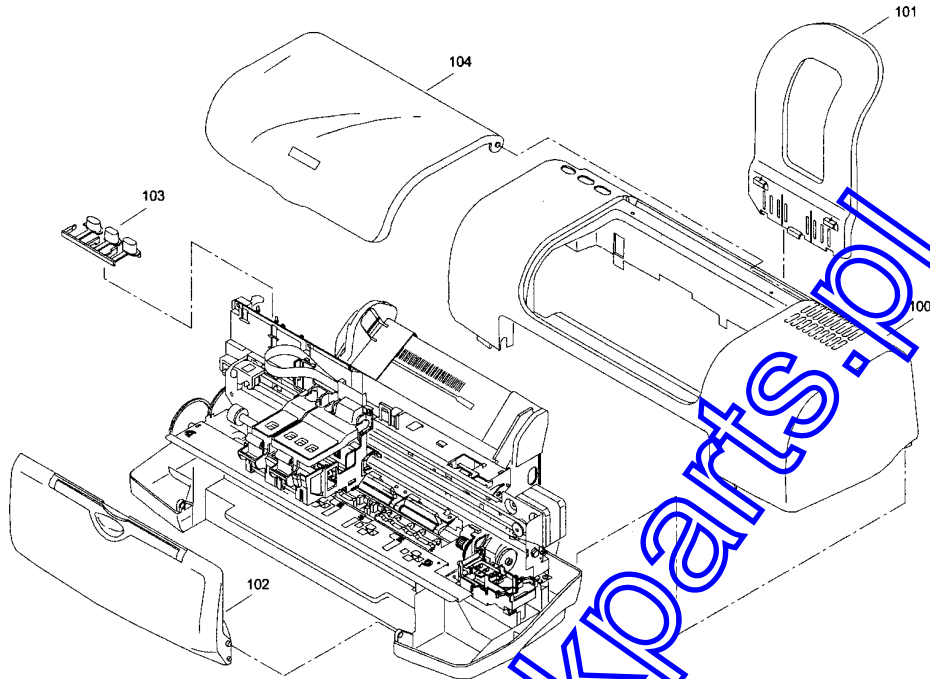
NOTE: REFER TO "TECSEXCHANGE" FOR INFORMATION ABOUT ORDERING IC'S

EPSON

NB: Part Number rationalisation – 10 digit part numbers in brackets are the old numbers for otherwise identical items

STYLUS PHOTO 830

Page No.:2



STYLUS PHOTO 830

No.1

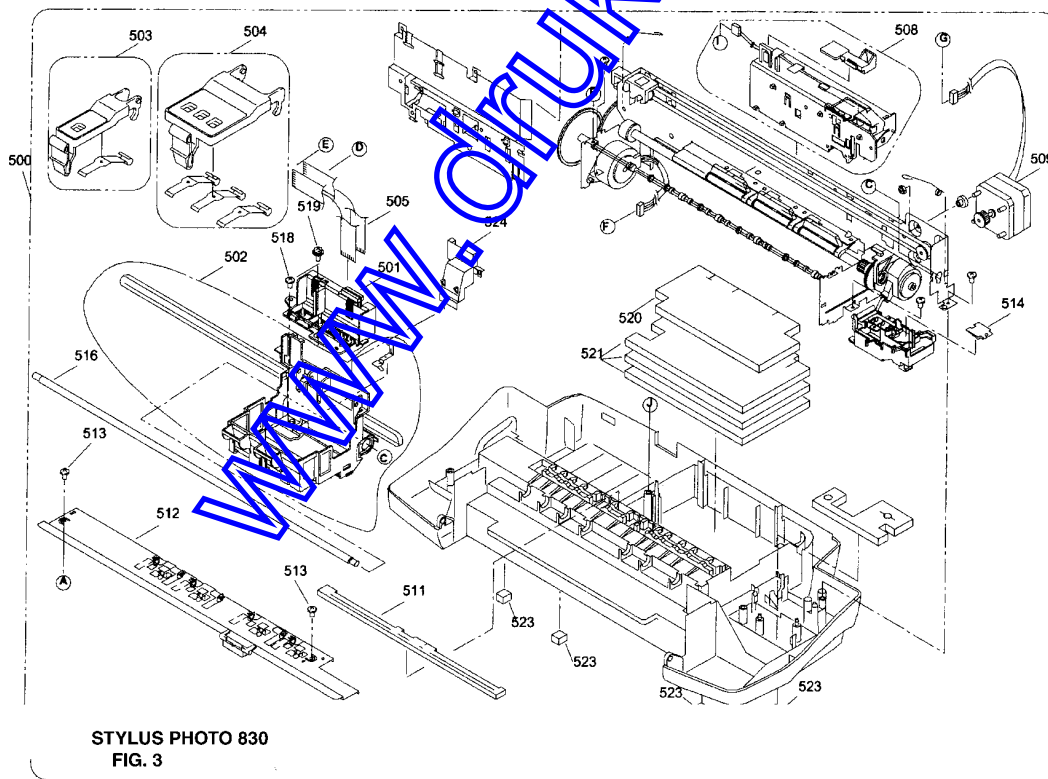
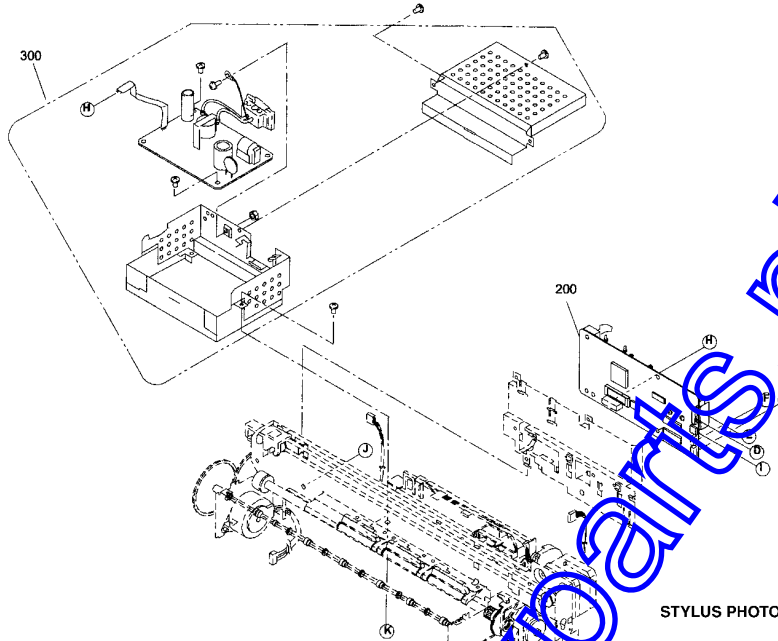
Rev.01

C483-CASE-001

NB: Part Number rationalisation – 10 digit part numbers in brackets are the old numbers for otherwise identical items

STYLUS PHOTO 830

Page No.:3



NB: Part Number rationalisation – 10 digit part numbers in brackets are the old numbers for otherwise identical items

STYLUS PHOTO 830

Page No.:4

