

EPSON STYLUS PHOTO 790

Page 1

REF	PART NO	DESCRIPTION	SPEC	QTY
100	1059447	HOUSING;B;EPW		1
101	1059449	COVER,PRINTER;EFB		1
102	1060124	PAPER SUPPORT;B;EPW		1
103	1059439	HOUSING,PANEL,LEFT;EPW		1
104	1056407	SHIELD PLATE,UPPER		1
105	1056408	COVER,SHIELD PLATE		1
106	1056406	SHIELD PLATE,M/B		1
107	1058403	LOGO PLATE 10X40;C		1
108	1061937	PANEL ASSY.,SP790		1
109	1056455	BUTTON,PW		1
110	1056457	OPTICAL TUBE		1
111	1056458	SHIELD PLATE,PANEL		1
112	1061549	STACKER ASSY.;EPW		1
117	1047689	FOOT		4
120	1056449	COVER,PG		1
121	B010103311	C.P.SCREW	M3X6	3
122	B300204211	C.B.S. SCREW	M3X6	32
123	1032538	C.B.(O) SCREW,4X5,F/ZG		1
124	1053639	C,B,S-TITE R.SCREW,3X6,F/UC		1
125	1005019	C.B.P-TITE SCREW,3X8,F/ZN	M3X8 F/ZN	5
127	1059305	C.F.S-TITE,3X8,F/ZN		2
128	1014868	C.B.P-TITE(P4),3X8,F/ZN		2
200	2038729	BOARD ASSY.,MAIN	USE FIRMWARE 2048409 – IC6	1
IC6	2032152	FIRMWARE	FWP,30,CXA3528S	1
300	2035909	BOARD ASSY.,POWER SUPPLY	5674A,STANDARD	1
330	2037729	HARNESS		1
450	2035911	BOARD ASSY.,PNL	5675A,STANDARD	1
400	2006741	POWER CABLE,BS31303SA-SR-10A	240V	1
501	1056718	FRAME ASSY.,MAIN		1
502	1056427	COMBINATION GEAR,9.6,24		1
503	1056426	SPUR GEAR,36.8		1
504	1056429	COMBINATION GEAR,37.6,44.4		1
505	1056581	PUMP ASSY.		1
506	1055173	CAP ASSY.		1
507	2035632	MOTOR ASSY.,CARRIAGE	,DC	1
508	2035634	MOTOR ASSY.,PAPER FEED	,DC	1
509	1056415	TIMING BELT		1
510	1056431	SPUR GEAR,15		1
511	1053225	SPRINGPIN,2X14.5		1
512	1056404	FRAME,FRONT		1
513	1056419	PULLEY,DRIVEN		1
514	1050347	SHAFT,PULLEY,DRIVEN		1
515	1050346	BUSHING,PULLEY,DRIVEN		2
516	1056418	HOLDER,PULLEY,DRIVEN		1
517	1030957	COMPRESSION SPRING,5.85		1
518	1058404	COMPRESSION SPRING,19.6		1
519	1036680	INSULATOR,MOTOR,CR		4
520	1024352	INSULATOR		4
521	1040582	SPUR GEAR,73.6		1
522	1056422	SPUR GEAR,PF		1
523	1052677	BUSHING,ROLLER,PAPER FEED		1
524	1059746	BUSHING,ROLLER,PF,LEFT		1
525	1037094	SPACER,FASTEN,ROLLER,PAPER FEED		1
526	1058563	GROUNDING WIRE,PF		1
527	1031164	C-RING		1
528	1030967	PLAIN WASHER,12.2X0.5X15		2
530	1056716	CARRIAGE		1
531	1056416	SHAFT,CR,GUIDE		1
532	1056410	SLIDER,CR		1
533	1056412	GROUNDING PLATE,HEAD		1
534	1032301	SCALLOP SPRING PIN-AW,2X16,F/B		1
535	1056443	ROLLER ASSY.,EJ		1
536	1059402	PAPER GUIDE,FRONT		1
539	1052671	TORSION SPRING,52.92		4
540	1052668	PAPERGUIDE,UPPER		3
541	1052669	ROLLER,DRIVEN		8

EPSON

STYLUS PHOTO 790

IMPORTANT ITEMS IN BOLD TYPE

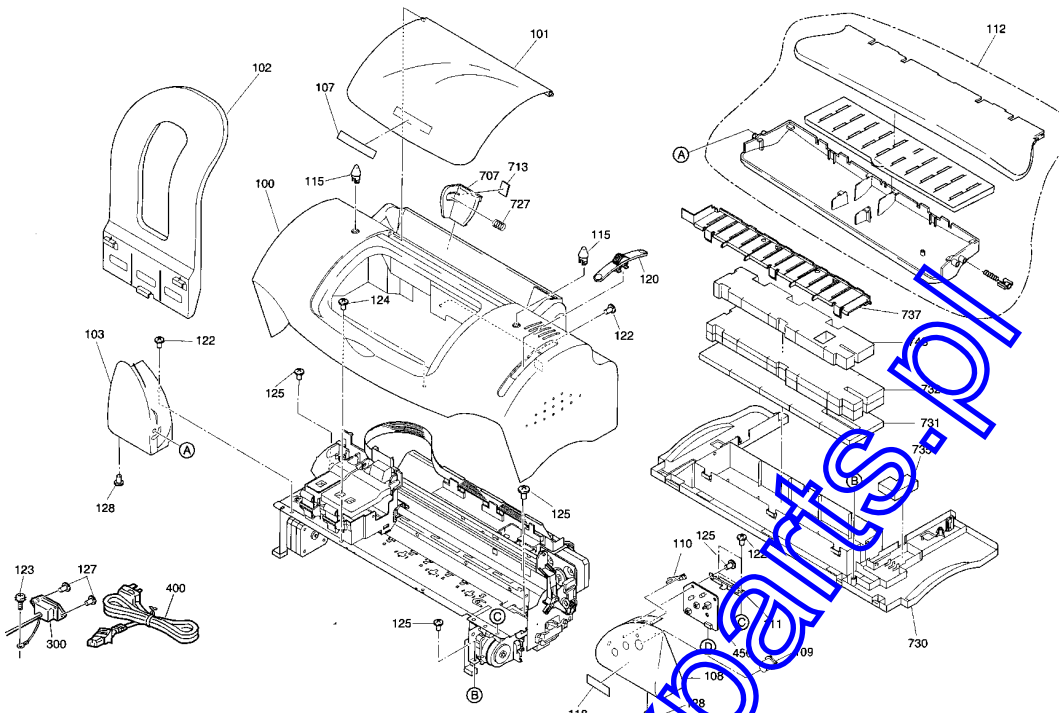
REF	PART NO	DESCRIPTION	SPEC	QTY
542	1052670	SHAFT,ROLLER,DRIVEN		4
543	1052682	HOLDER,STARWHEEL,FRONT		4
544	1056435	HOLDER,STAR WHEEL,REAR		6
545	1045223	STARWHEEL ASSY.,8;E		10
546	1032244	ROD SPRING,STAR WHEEL		5
547	1033652	STAR WHEEL,8;B		1
548	1056430	PAPER GUIDE,LEFT		1
549	1054460	HOLDER,STAR WHEEL,EJ		1
550	1056442	SPUR GEAR,25.6		1
551	1056424	COMBINATION GEAR,11.6,36.8		1
552	1030971	PLAIN WASHER,4.1X0.5X6.5		1
553	1040644	BUSHING,FASTEN,COMBINATION GEAR		1
554	1040581	COMBINATION GEAR,16,21.6		1
555	1023219	BUSHING NUT,2		1
556	1024505	HEXAGON NUT,NORMAL,M3		7
557	1059310	GROUNDING PLATE,HEAD FFC		1
559	1030395	LEVER,PG,SUPPORT		1
560	B101254590	LEAF SPRING	6.2X0.15X11	1
561	1032240	TORSION SPRING,63.7		1
562	1056417	LEVER,PG		1
563	1056414	BUSHING, PARALLELISM ADJUST,RIGHT		1
564	1056413	BUSHING ,PARALLELISM ADJUST,LEFT		1
565	1056444	BUSHING,5		2
566	1056717	SCALLOP S.P SP-AW,1.6X10,F/B		1
567	1030821	PLAIN WASHER,5.2X0.2X10,S/NA		2
568	1048912	U-TYPE SPRING,5.2X0.13X10,S/NA		1
700	F083000	PRINT HEAD	2000	1
701	1056423	LEVER,CHANGE		1
702	1059377	COMPRESSION SPRING,1.47		1
703	2037213	HARNES,DETECTOR	222	1
704	2021833	DETECTOR,HP;C	4V 20MA,100MW,	1
705	1056440	HOLDER,SHAFT		1
706	1052596	LEVER,DETECTOR,HP		1
707	1059148	EDGE GUIDE;B		1
708	1052687	HOPPER		1
709	1056439	FRAME,ASF		1
710	1052694	PAD,HOPPER		1
711	1057168	HOLDER,PAD		1
712	1059009	PAD,LD,SMALL		1
713	1053757	PAD,BRAKE,EDGE GUIDE		1
714	1057554	PAD,LD;D		1
715	1052595	LEVER,DETECTOR,PE		1
716	1059633	ROLLER,LD		1
717	1052673	EXTENSION SPRING,0.43		1
718	1057167	SHAFT,ROLLER,LD		1
719	1059524	CLUTCH		1
720	1052717	SPUR GEAR,35.2		1
721	1039368	SPUR GEAR,23.2		1
722	1060220	TORSION SPRING,36.8		1
723	2035636	CABLE,HEAD		1
724	1052693	COMPRESSION SPRING,4.80		1
725	1056411	HOLDER,CABLE HEAD		1
726	1052613	TORSION PRING,0.22		2
727	1060933	COMPRESSION SPRING,7.77		1
728	1054820	SHAFT,ROLLER,LD,SUPPORT		1
729	1032300	C.B.S-TITE(P4),3X6,F/ZN		3
730	1061547	TRAY,POROUS PAD;B		1
731	1056197	POROUS PAD,INK EJECT,LARGE		1
732	1056198	POROUS PAD,INK EJECT,SMALL		2
733	1060089	SHEET,PROTECTION		2
734	1050580	CLEANER HEAD,ASP		1
735	1059198	POROUS PAD,INK EJECT,CAP,LOWER		1
736	B070200411	HEXAGON NUT	M4	1
737	1056436	PAPER GUIDE,LOWER		1
738	1057623	COVER,CARTRIDGE,BLACK		1
739	1057624	COVER,CARTRIDGE,COLOUR		1

EPSON
STYLUS PHOTO 790
IMPORTANT ITEMS IN BOLD TYPE

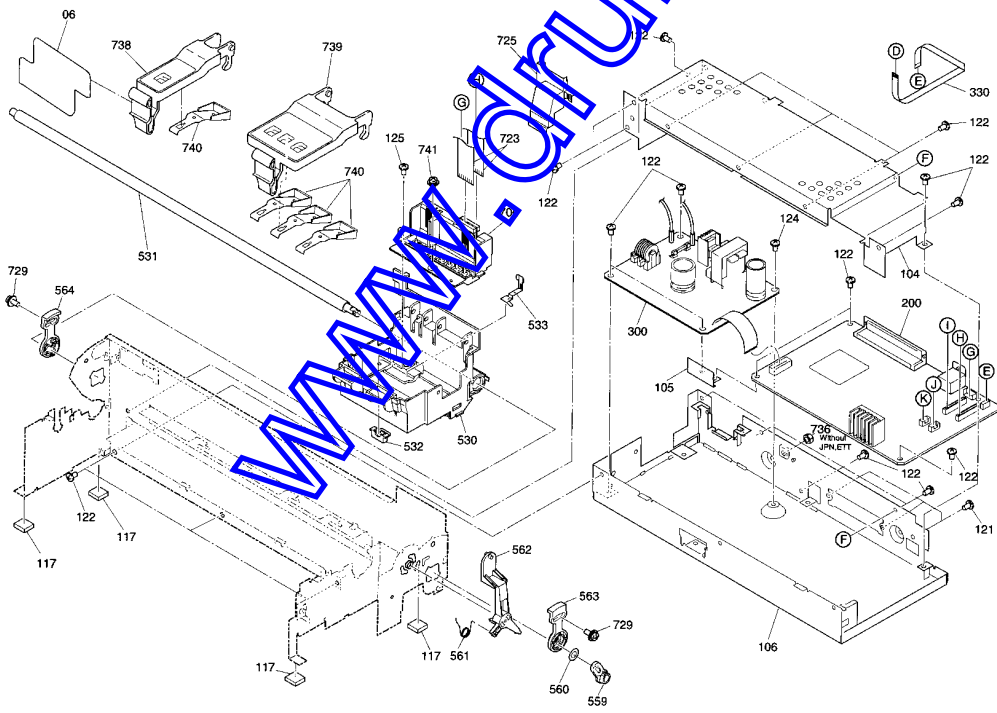
REF	PART NO	DESCRIPTION	SPEC	QTY
740	1059196	PLATE SPRING,COVER,CARTRIDGE		4
741	1023043	+.BIND B-TITE SEMS W2,2.5X5,F/ZB		1
742	1045787	C.B.S-TITE(P4),3X8,F/ZN		1
743	1059927	POROUS PAD,INK EJECT,UPPER		1
745	1060282	POROUS PAD,PAPER GUIDE,FRONT		1
NON FIG	1051012	INK CARTRIDGE,BLACK,,AS		1
NON FIG	1051013	INK CARTRIDGE,COLOUR,,AS		1
END				

www.drukparts.pl

EPSON
STYLUS PHOTO 790
IMPORTANT ITEMS IN BOLD TYPE



STYLUS PHOTO 790 No.1

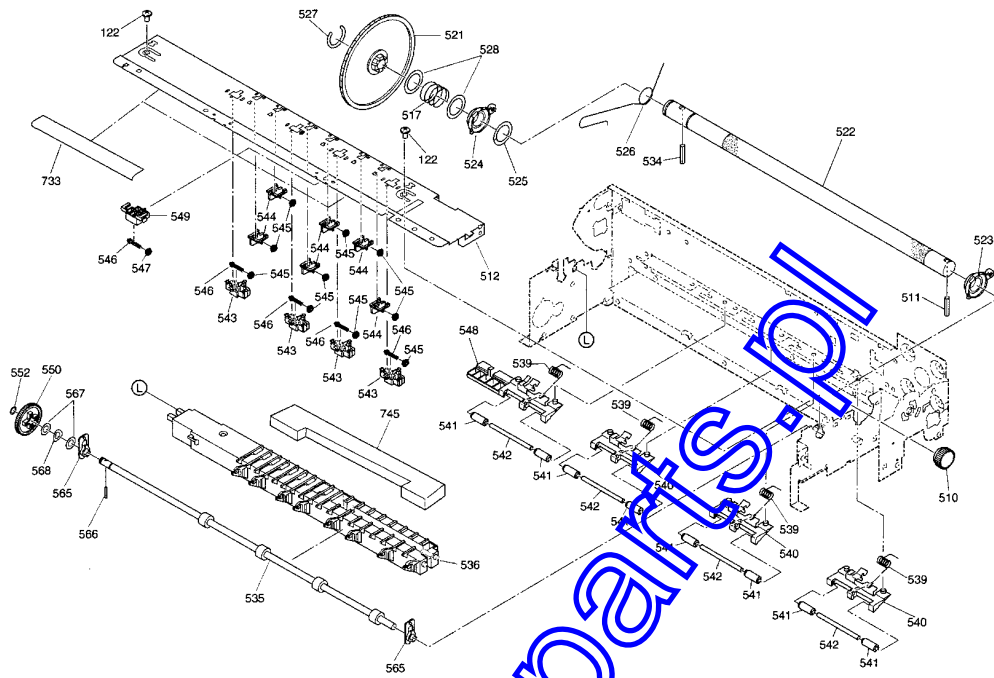


STYLUS PHOTO 790 No.2

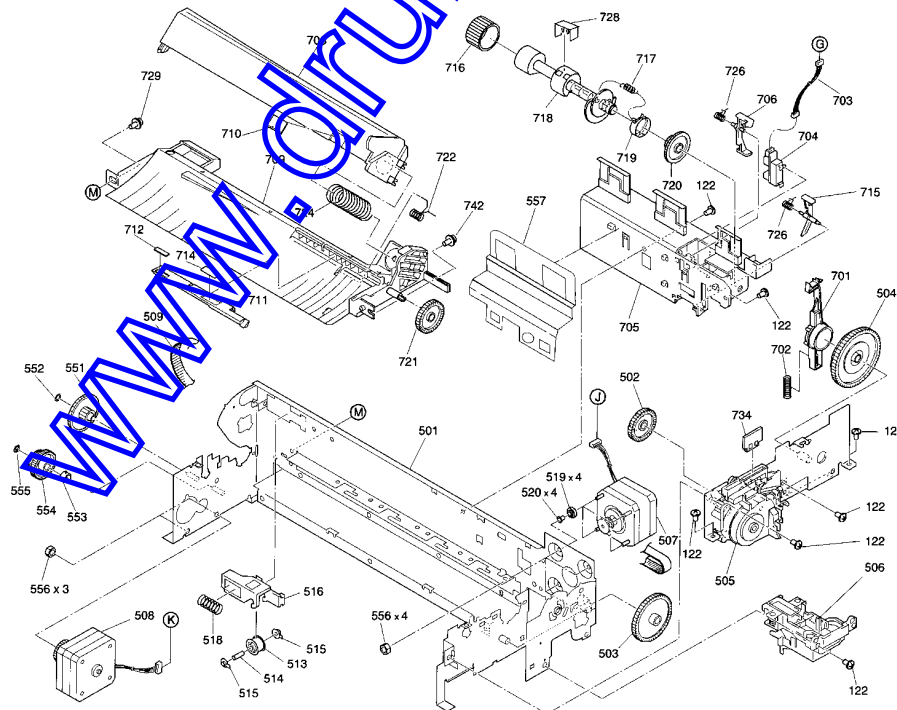
EPSON

STYLUS PHOTO 790

IMPORTANT ITEMS IN BOLD TYPE



STYLUS PHOTO 790 No.3



STYLUS PHOTO 790 No.4