

# EPSON STYLUS PHOTO 700

Page 1

REF	PART NO	DESCRIPTION	SPEC	QTY
100	1038220	HOUSING;B		1
101	1033230	FOOT		5
102	1038269	COVER ASSY;B		1
103	1038233	HOUSING,SUPPORT,RIGHT;B		1
104	1038234	HOUSING,SUPPORT,LEFT;B		1
105	1038228	HOUSING,PANEL,LEFT;B		1
106	1030669	GROUNDING PLATE		2
107	1038267	STACKER ASSY;B		1
108	1038268	PANEL ASSY;B		1
109	1038237	PAPER SUPPORT ASSY.;C		1
110	1030604	BUTTON,P/S		1
111	1037313	COVER,INLET,UPPER;B		1
112	1037314	COVER,INLET,LOWER;B		1
113	1030608	COVER,CABLE		2
114	1038236	ADAPTOR,PAPER SUPPORT;B		1
115	1040034	LOGO,PLATE;B		1
116	1032270	SHIELDPLATE,PANEL		1
117	1030609	COVER,SHIELD PLATE,M/B,RIGHT		1
118	1030610	COVER,SHIELD PLATE,M/B,LEFT		1
119	1031165	MINI CLAMP		1
120	1038153	SHIELD PLATE,M/B		1
121	B010103311	C.P.SCREW		3
122	B300204211	C.B.S. SCREW		23
123	1032538	C.B.(O) SCREW,4X5,F/ZG		1
124	B300204411	C.B.S. SCREW	M3X10	4
125	1005019	C.B.P-TITE SCREW,3X8,F/ZN	M3X8 F/ZN	2
126	1012350	C.B.P-TITE,3X10,F/ZN		2
127	1037582	COVER,SUPPORT,ASP		1
128	1035116	CRAMP,COVER,PRINTER		2
180	1040030	LABEL,CAUTION 11;C	EUROPE	1
185	1040032	LABEL,CAUTION 12;C	EUROPE,	1
186	1037833	LABEL,LEVER CARTRIDGE,BLACK		1
187	1037835	LABEL,LEVER CARTRIDGE COLOUR		1
188	1040033	LABEL,CAUTION 33	EUROPE,	1
200	2027976	BOARD ASSY MAIN	SEE NOTE BELOW	1
450	2023320	BOARD ASSY PANEL		1
300	2025849	BOARD ASSY POWER SUPPLY	220V/240V	1
330	2026385	WIRE CARTRIDGE		1
400	2006741	POWER CABLE,BS31303SA-SR-10A	240V	1
412	2018028	HARDWARE	220V/230V/240V	1
500	2026840	PRINTER MECHANISM,M-4G13		1
501	1030341	FRAME, TOP		1
502	1030343	FRAME,RIGHT		1
503	1030344	FRAME,FRONT		1
504	1043804	FRAME,BOTTOM;B		1
505	1039369	FRAME ASSY.,LEFT		1
506	1032633	CARRIAGE ASSY.		1
507	1030380	LEVER,ADJUST		1
508	1030381	GROUNDINGPLATE,HEAD		1
509	1030382	OIL PAD		1
510	1030387	SLIDER,CR		1
511	1041207	HOLDER,PULLEY,DRIVEN;B		1
512	1032969	SHEET,PROTECTION,HEAD		1
513	1030969	SHAFT,ROLLER,DRIVEN		6
514	1038961	ROLLER,DRIVEN;D		12
515	F057020	PRINT HEAD,IJ192-0BB		1

# EPSON STYLUS PHOTO 700

Page 2

REF	PART NO	DESCRIPTION	SPEC	QTY
516	1031313	PULLEY ASSY.,DRIVEN		1
517	1030390	TIMING BELT		1
518	1030408	PAPER GUIDE,UPPER		5
519	1030414	PAPER GUIDE,LEFT		1
520	1030417	PAPERGUIDE,REAR		1
521	1032287	PAPER GUIDE,FRONT;B		1
522	1032646	PAPER GUIDE,RIGHT		1
523	1030968	SHAFT,PAPER GUIDE,UPPER		6
524	1045223	STAR WHEEL ASSY.,8;E		20
524	1045223	STAR WHEEL ASSY.,8;E		20
525	1032242	HOLDER,STAR WHEEL,RIGHT		1
526	1032243	HOLDER,STAR WHEEL,LEFT		1
527	1032244	ROD SPRING,STAR WHEEL		13
528	1030346	FRAME,EJ		1
529	1030421	ROLLER,ASSY.,EJ		1
530	1038152	ROLLER,PF;B		1
532	2022329	CIRCUIT ASSY,PE		1
533	2022330	HARNESS,PE		1
534	1030410	LEVER,PE		1
535	1030411	HOLDER,PE		1
536	2032842	DETECTOR,HP;E	4V,50MA,100VCM	1
537	2022326	HARNESS,HP		1
538	2024054	MOTOR,PF;B	DC42V/0.46A/10.3W SM	1
539	1031323	MOTOR ASSY,CR	DC42V/0.46A/10.3W SM	1
540	1030391	SHAFT,CR,GUIDE		1
541	1040464	PUMP ASSY.;F		1
542	1044902	CAP ASSEMBLY		1
544	1030347	GUIDE PLATE,CABLE		1
545	1030392	BUSHING,PARALLELISM ADJUST,LEFT		1
546	1030393	BUSHING,PARALLELISM ADJUST,RIGHT		1
547	1030394	LEVER,PG		1
548	1030395	LEVER,PG,SUPPORT		1
549	1037093	BUSHING,12,LEFT		1
550	1030422	BUSHING,6		2
551	1030454	LEVER,CHANGE		1
552	1032608	STOPPER,STACKER		2
553	1030353	SPUR GEAR,11.5		1
554	1039368	SPUR GEAR,23.2		1
555	1030402	SPUR GEAR,67.2		1
556	1030424	SPUR GEAR,36		1
557	1030452	SPUR GEAR,23.2		1
558	1030453	COMBINATION GEAR,16,40.8		1
559	1031001	COMBINATION GEAR,8,14.4		1
560	1031055	COMBINATION GEAR,8,8,21.6		1
561	1030955	COMPRESSION SPRING,19.6		1
562	1030957	COMPRESSION SPRING,5.85		1
563	1030965	COMPRESSION SPRING,0.9		1
564	1030956	TORSION SPRING,117.6		6
565	1030958	TORSION SPRING,0.22		1
566	1032240	TORSION SPRING,63.7		1
567	1030967	PLAIN WASHER,12.2X0.5X15		2
568	1030971	PLAIN WASHER,4.1X0.5X6.5		2
569	1030975	SPACER,C-RING		2
570	B101254590	LEAF SPRING	6.2X0.15X11	1
571	B150300711	RETAINING RING	TYPE-E(4)	1
572	B300204211	C.B.S. SCREW	M3X6	19

# EPSON STYLUS PHOTO 700

Page 3

REF	PART NO	DESCRIPTION	SPEC	QTY
573	1023219	BUSHING NUT,2		1
574	1024505	HEXAGON NUT,NORMAL,M3		3
575	1031164	C-RING		3
576	1032300	C.P.S-TITE(P4),3X6,F/ZN		2
577	1032301	SCALLOP SPRING PIN-AW,2X16,F/B		1
578	1032723	HOLDER,STARWHEEL,FRONT		1
579	1033652	STARHWEEL,8;B		1
580	1034669	POROUS PAD,SLIDER,CAP		1
771	1045088	HOLDER ASSY,STAR WHEEL,RIGHT;ASP		1
772	1045090	HOLDER ASSY.,STAR WHEEL,LEFT ASP		1
700	1031309	PAD ASSY.,LEFT		1
701	1031308	PAD ASSY.,RIGHT		1
702	1030961	TORSION SPRING,1.22,LEFT		1
703	1030442	HOLDER,EDGE GUIDE,LEFT		1
704	1030449	LEVER,PAD,RELEASE,LEFT		1
705	1030434	LEVER,PAPER RETURN,LEFT		1
706	1037579	TORSION SPRING,1.22,RIGHT		1
707	1030450	LEVER,PAD,RELEASE,RIGHT		1
708	1030455	HOLDER,EDGE GUIDE,RIGHT		1
709	1030420	ROD SPRING,HOLDER,PAD		2
710	1030435	LEVER,PAPER RETURN,RIGHT		1
711	1030436	ROLLER,LD,SUPPORT		2
712	1030437	HOLDER,ROLLER,LD,SUPPORT		2
713	1030962	EXTENSION SPRING,0.36		2
714	1033979	COMPRESSION SPRING,0.88		2
715	1038247	HOPPER;B		1
716	1038249	EDGE GUIDE;B		1
717	1030429	SLIDER,EDGE GUIDE		1
718	1030446	CORK		1
719	1030960	COMPRESSION SPRING,0.23		1
720	2032842	DETECTOR,HP;E	4V,50MA,100MW	1
721	2026295	CABLE ,HEAD;A		1
722	1033220	SPACER,CABLE HEAD		1
723	2022331	HARNES,ASF		1
724	1031306	ROLLER ASSY,LD,LEFT		1
725	1031307	ROLLER ASSY,LD,RIGHT		1
726	1030372	POROUS PAD,INJECT,LARGE		2
727	1030373	POROUS PAD,INJECT,SMALL		1
728	1030374	TRAY,POROUS PAD		1
729	1053479	COVER,CARTRIDGE,BLACK;		1
730	1053464	COVER,CARTRIDGE,COLOUR;		1
731	1030378	SEPARATOR,CARTRIDGE,BLACK		1
732	1032254	SEPARATOR,CARTRIDGE,COLOUR		1
733	1032255	FASTENER,HEAD		1
734	1038154	HOLDER,CABLE		1
735	1030419	PAPER GUIDE,LOWER		1
736	1038244	FRAME,ASF;B		1
737	1038211	LEVER,FASTEN,EDGE GUIDE;B		2
738	1030438	COVER,ROLLER,LD,LEFT		1
739	1030439	COVER,ROLLER,LD,RIGHT		1
740	1030440	SHAFT,ROLLER,LD		1
741	1005416	SHAFT,MOUNT,CR		1
742	1030441	LEVER,HOPPER,RELEASE		2
743	1030447	WHEEL,DETECT		1
744	1030456	BUSHING,FASTEN,SHAFT		1
745	1030951	LEVER,BRAKE		1

# EPSON STYLUS PHOTO 700

Page 4

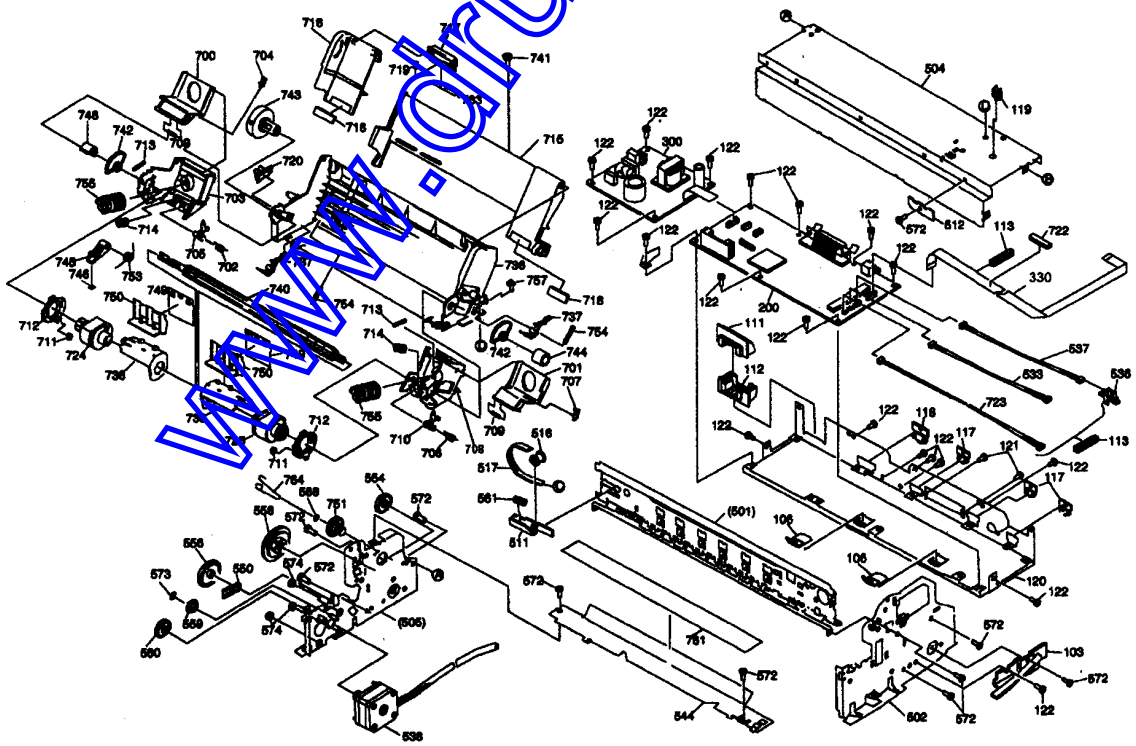
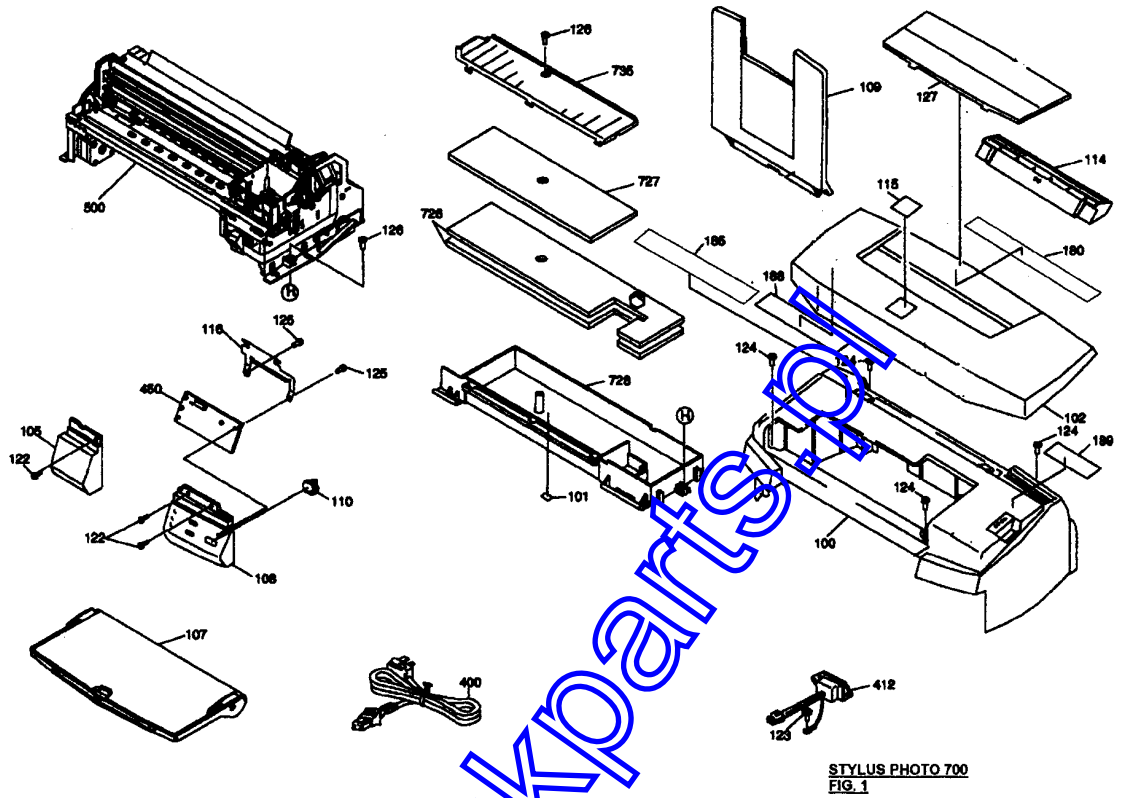
REF	PART NO	DESCRIPTION	SPEC	QTY
746	1030970	PAD,BRAKE		1
747	1030973	SPACER,TRAY		1
748	1031178	BUSHING,FASTEN,SHAFT,LEFT		1
749	1032246	SHEET,PAPER FEED		2
750	1032247	HOLDER,SHEET,PAPER FEED		2
751	1039367	SPUR GEAR,34		1
752	1030954	TORSION SPRING,49		1
753	1030966	TORSION SPRING,41.2		1
754	1030959	EXTENSION SPRING,0.088		2
755	1030964	COMPRESSION SPRING,1.66		2
756	1024130	C.B.P-TITE SCREW,3X6,F/ZN		1
757	1032300	C.P.S-TITE(P4),3X6,F/ZN		1
760	2026296	CABLE,HEAD;B		1
761	1032719	SHEET,CABLE		1
764	1034888	HOLDING SPRING,SPUR GEAR,34		1
769	1044755	SPACER,TRAY,POROUS PAD		1
800	1044774	ASF UNIT,ASP		1
END				

NOTE: REFER TO "TECHEXCHANGE" FOR INFORMATION ABOUT ORDERING IC'S

[www.drukparts.nl](http://www.drukparts.nl)

# EPSON STYLUS PHOTO 700

Page 5



STYLUS PHOTO 700  
FIG. 2

# EPSON STYLUS PHOTO 700

Page 6

