

# EPSON

## STYLUS PHOTO 2100

*Note: Part Numbers in brackets are the old numbers for otherwise identical items*

*Page No.:1*

REF	PART NO	DESCRIPTION	SPEC	Qty
100	1196501	HOUSING,UPPER;ENM2-F		1
101	1104087	COVER,PRINTER;B		1
102	1104158	PAPER SUPPORT,ASSY.;B		1
103	1104157	STACKER,ASSY.;B		1
104	1104084	HOUSING,MIDDLE;		1
105	1104085	HOUSING,LOWER;		1
106	1113994	HOUSING,REAR.;B		1
107	1113892	LOGO PLATE 10X40;F		1
108	1090240	OPTICAL PLATE		1
109	1104159	BUTTON,ASSY.;B		1
110	1104160	BUTTON,PS,ASSY.;B		1
111	1090244	GROUNDING,PANEL		1
112	1091355	SHEET,STOPPER,POROUS PAD		1
113	1091372	SHEET STOPPER,POROUS PAD,UPPER		6
114	1109054	POROUS PAD,INK EJECT,LEFT		1
115	1109053	POROUS PAD,INK EJECT,MIDDLE		1
116	1109052	POROUS PAD,INK EJECT,REAR RIGHT		1
117	1109051	POROUS PAD,INK EJECT,FRONT RIGHT		1
118	1091701	POROUS PAD,PUMP,LEFT		1
119	1090413	POROUS PAD,WASTE FLUID,S		1
120	1108107	FOOT		5
121	1040649	LOCK,STACKER		1
122	1043083	COMPRESSION SPRING,5.1		1
123	1002674	C.B.S-TITE SCREW	M3X12	4
124	1044397	C.B.P SCREW,3*14,F/ZN		2
125	1012350	C.B.P-TITE,3X10,F/ZN		3
126	1073172	C.B.S. SCREW(B300204411)	M3X10	1
127	1111793	POROUS PAD,INK,STOPPER,FRONT		1
128	1111794	POROUS PAD,INK,STOPPER,RIGHT		1
129	1111796	POROUS PAD,INK,STOPPER,CAN LOWER		1
130	1112508	POROUS PAD,INK EJECT,SMALL,REAR		1
131	1112492	POROUS PAD,INK,STOPPER,SMALL		2
132	1112556	SHEET,HOUSING,MIDDLE		1
134	1074071	PLAIN WASHER(B06150512)	M3X0.5X8	1
135	1024145	C.B.P.SCREW,4X12,F/ZN		4
136	1108106	CAP,HOUSING,UPPER		2
137	1104987	LABEL,CAUTION;B		1
138	2055615	CONNECTER,MAIN		1
139	1090758	LABEL,PIM LOGO		1
150	2060146	BOARD ASSY.,PANEL	5849ASTANDARD	1
200	2060140	BOARD ASSY.,MAIN	SEE NOTE BELOW	1
IC5	2073203	OTP-RO,PHOTO	OTHER8 MBIT42	1
300	2060144	BOARD ASSY.,POWER SUPPLY	5848ASTANDARD	1
330	2060157	HAFESUB		1
400	2068898	POWER CABLE		1
500	2071646	PRINTING MECHANISM(ASP),MA810-101		1
501	1091608	FRAME,ASSY,LEFT		1
502	2060541	MOTOR ASSY.,PF	3.15W	1
503	1061310	GROUNDING PLATE,PAPER GUIDE,FRONT		1
504	1048835	COMBINATION GEAR,12,22.4		1
505	1091609	FRAME,ASSY,RIGHT		1
506	1090312	FRAME,UPPER		1
507	2060540	MOTOR ASSY.,CR	3.15W	1
508	1091841	PUMP ASSY		1
509	1091840	CAP ASSY		1
510	1090317	FRAME,UNDER		1
512	1090316	FRAME,FRONT		1
513	1114113	BUSHING,PARALLEL ADJUST,LEFT;B		1
514	1114112	BUSHING,PARALLEL ADJUST,RIGHT;B		1
515	1090374	PAPER GUIDE,REAR		1
516	1104361	ROLLER,PF,MAIN,ASSY.		1
517	1103743	STOPPER,HOLDER,PULLEY,DRIVEN		1
518	1104240	PAPER GUIDE,MANUAL;B		1
519	1090723	BELT,PUMP		1

# EPSON

## STYLUS PHOTO 2100

Page No.:2

REF	PART NO	DESCRIPTION	SPEC	Qty
520	1048834	SPUR GEAR,15.2		1
521	1092108	MINI CLAMP,UMAS-02WL-0		2
522	1082253	REUSE LOCK MINI CLAMP		1
523	1083953	HOLDER,SHAFT,LEVER,RELEASE		1
524	1061006	TORSION SPRING,177.4		1
525	1083862	COVER,INK		1
526	1104815	CAM,RELEASE,WHEEL,EJECT		1
527	1104816	TORSION SPRING,4.80		1
528	1090333	SHAFT,CR,GUIDE:A		1
529	1104362	ROLLER,PAPER EJECT,MAIN,ASSY.		1
530	1083963	COMBINATION GEAR,17,24.5		1
531	1090336	MOUNTING PLATE,SHAFT,LEFT		4
532	1083961	SPUR GEAR,43		1
533	1060890	BUSH,12,RIGHT		1
534	1030971	PLAIN WASHER,4.1X0.5X6.5		3
535	1091802	PAPER GUIDE,ASSY,FRONT		1
536	1042582	GROUNDING WIRE,EJ		2
537	1061843	GROUNDING SPRING,PF		1
538	1090351	FRAME,EJECT		1
539	1104364	HOLDER,STAR WHEEL,RIGHT,MAIN,ASSY.		1
540	1104365	HOLDER,STAR WHEEL,MIDDLE,MAIN,ASSY.		1
541	1104366	HOLDER,STAR WHEEL,LEFT,MAIN,ASSY.		1
542	1113215	SHEET,STOPPER,PUMP,LOWER		1
543	1083962	SPUR GEAR,62		1
544	1104363	ROLLER,PAPER EJECT;B,MAIN,ASSY.		1
545	1083956	PAPER GUIDE,UPPER		8
546	1058678	ROLLER,DRIVEN;B		4
547	1083957	PAPER GUIDE,RIGHT		1
548	1030968	SHAFT,PAPER GUIDE,UPPER		9
549	1030969	SHAFT,ROLLER,DRIVEN		11
550	1038961	ROLLER,DRIVEN;D		18
551	1111958	TORSION SPRING,1.127		9
552	2022329	CIRCUIT ASSY,PE		1
553	1083958	HOLDER,PE		1
554	1090345	LEVER,PE		1
555	1090347	TORSION SPRING,0.19		1
556	2060172	CABLE,HEAD		1
557	1090326	HOLDER,CABLE,HEAD		1
558	1108946	SPACER,CABLE HEAD		1
559	2069712	FERRITE CORE		1
560	1104360	CARRIAGE,MAIN,ASSY.		1
561	1090364	PAPER GUIDE,EJECT,LOWER		1
562	1090718	CLAMP,HARNNESS		3
563	1049380	OIL PAD		1
564	1104243	GUIDE ATTACHMENT,CDR;B		1
565	1090332	TIMING BELT		1
566	1090334	SHAFT,C,GUIDE;B		1
567	1069198	PULLEY,DRIVEN		1
568	1090337	GUIDE,PULLEY,DRIVEN		1
569	1104394	COMPRESSION SPRING,24.5		1
570	1090188	FOCUS PAD,CABLE HEAD		1
571	1108945	FOCUS PAD,CABLE HEAD;B		1
572	1074107	RETAINING RING(B150300711)	TYPE-E(4)	1
573	1091178	LEAF SPRING,LEVER,CLEANER		1
575	1050346	BUSHING,PULLEY,DRIVEN		2
576	1058063	BUSH,PG CHANGE,RIGHT		2
577	1050347	SHAFT,PULLEY,DRIVEN		1
578	1048907	EXTENSION SPRING,0.618		1
579	1048833	LEVER,PLATEN		1
580	2060176	HARNNESS,PE		1
582	1048721	SHAFT,SPUR GEAR,PLATEN		1
583	1030971	PLAIN WASHER,4.1X0.5X6.5		2
586	1090377	COMBINATION GEAR,14.28		1
587	1073165	C.B.S. SCREW(B300204211)	M3X6	8
588	1005019	C.B.P-TITE SCREW,3X8,F/ZN	M3X8 F/ZN	3
589	1090335	BUSHING PARALLEL ADJUST,SUB,LEFT		2
591	1043627	C.B.P-TITE,2.5X5,F/ZN		1

# EPSON

## STYLUS PHOTO 2100

Page No.:3

REF	PART NO	DESCRIPTION	SPEC	Qty
592	1048909	PLAIN WASHER,6.2*0.2*9,L/NA		1
593	1073165	C.B.S. SCREW(B300204211)	M3X6	6
594	1073165	C.B.S. SCREW(B300204211)	M3X6	15
595	1004539	C.P.SCREW(B010103311)	M3X6	2
596	1083952	LEVER,CONNECT,RELEASE		1
597	1058469	PARALLEL PIN B,2X10		1
598	1083944	LEVER,PG,CHANGE		1
599	1090315	FRAME,MIDDLE		1
600	1044149	PLAIN WASHER,6.1X0.2X17,S/NA		2
601	1076283	LEAF SPRING(B101253390)	8.2X0.15X15	2
602	1074104	RETAINING RING(B150300611)	TYPE-E(3)	1
603	1048913	TAPE,D50		1
604	1083950	LINK,PG CHANGE		1
605	2032470	SCALE,CR		1
606	1055706	SCALE,PF		1
608	2060148	FFC,ENCODER		1
609	1048888	EXTENSION SPRING,1.494		1
610	1035673	MINI CLAMP UAMS-05SN-W		3
611	1104114	COVER,ENCODER		1
613	1055136	MOUNTING PLATE,BOARD ASSY		1
614	1083945	BUSHING,PG,CHANGE		1
615	1083949	LEVER,SPRING,PG CHANGE		1
616	1090368	EXTENSION SPRING,9.27		1
617	1058085	LINK,SPRING,PG CHANGE		1
618	1091607	LEVER,ASSY,COMBINATION GEAR		1
619	1050767	SET RING,D8.8		2
620	2060542	MOTOR ASSY.,ASF	33.6W	1
621	1076263	P.W.,3.1X0.5X12,F/ZN(B100165911)		1
622	1090369	SPUR GEAR,26.4		1
623	1048839	COMBINATION GEAR,17.19,25.6		1
624	1048840	COMBINATION GEAR,12,22.92		1
625	1083955	LEVER,DE,LOCK		1
626	1090376	MOUNTING PLATE,MOTOR,ASF		1
627	1048906	COMPRESSION SPRING,3.944		1
628	1050765	FERRULE,D3.6		2
629	1032300	C.B.S-TITE(P4),3X6,F/ZN		4
630	1104244	LEVER,DRIVEN,RELEASE,B		1
631	1083948	INTERMITTENT GEAR,24.30		1
632	1090366	TORSION SPRING,1.3		1
633	1049392	BUSH,ROLLER PF,SUPPORT		1
634	1090365	FRAME,CUTTER,SUPPORT		1
635	1049394	MOUNTING PLATE,LEVER,ROLLER PF,SUPPORT		1
636	1049395	EXTENSION SPRING,10.1		1
636	1108947	GROUNDING SPRING,CUTTER;B		2
637	1104100	SHEET,ROLLER,MOTOR,INK		1
638	1051412	HOLDER,ROLLER PF,SUPPORT		1
639	1083966	HOLDER,INT,LEFT		1
640	1083965	HOLDER,INT,RIGHT		1
641	1090343	SPUR RAD,PAPER GUIDE,FRONT		1
644	1090339	SHAFT,LEVER,RELEASE		1
646	1112124	COMPRESSION SPRING,0.44		3
648	2060178	DETECTOR,CDR		1
649	2060179	HARNESS,DETECTOR,CDR		1
650	1091644	EXTENSION SPRING,1.554		2
651	1083954	LEVER,CLICK		1
653	2020393	DETECTOR,LEAF,B2	10V0A	2
654	2060175	HARNESS,DETECTOR,RELEASE		1
655	2060186	HARNESS,DETECTOR,PW		1
656	1083861	HOLDER,DETECTOR,PW		1
657	2036378	BOARD ASSY.,DETECTOR,PH		1
658	2060173	HARNESS,DETECTOR,PG		1
659	1108937	LABEL,POSITION,CARTRIDGE;B		1
662	2055067	BOARD ASSY.,ENCODER		1
663	1040481	CUT PLAIN WASHER,4.2X0.3X8,L/NA		1
700	1109282	ASF UNIT;B		1
701	1104251	COVER,SHEET,PAPER CONTROL;B		2
702	1040599	SHEET,PAPERFEED		2

# EPSON

## STYLUS PHOTO 2100

Page No.:4

REF	PART NO	DESCRIPTION	SPEC	Qty
703	1104252	HOLDER,PAPER CONTROL;B		2
704	1104884	ROLLER,LD,LEFT		1
705	1104368	ROLLER,MAIN,ASSY.,LEFT		1
706	1083974	LEVER,HOPPER,RELEASE,LEFT		1
707	1090378	SHAFT,ROLLER,LD		1
708	1104253	ROLLER,SUB,LD,MIDDLE;B		1
709	1090383	COMPRESSION SPRING,0.3		1
710	1104882	ROLLER,LD,RIGHT		1
711	1104367	ROLLER,MAIN,ASSY.,RIGHT		1
712	1074768	RETAINING RING(B150300911)	TYPE-E(6)	2
713	1053757	PAD,BRAKE,EDGE GUIDE		1
714	1090387	COMPRESSION SPRING,2.26		1
715	1104237	EDGE GUIDE,ROLL;B		1
716	1090370	FRAME,ASF,LOWER		1
717	1109283	HOPPER,MAIN,ASSY.;B		1
718	1104247	FRAME,ASF;B		1
719	2032842	DETECTOR,HP;E	4V50M4100MW	1
720	1083976	WHEEL,DETECTOR		1
721	1083972	LEVER,SET,EDGE GUIDE		2
722	1030959	EXTENSION SPRING,0.088		2
723	1036863	STRENGTHEN PLATE,FRAME,ASF		1
724	1083973	LEVER,HOPPER,RELEASE,RIGHT		1
725	1083975	SPUR GEAR,32		1
726	1024130	C.B.P-TITE SCREW,3X6,F/ZN		3
727	1104254	PAPER,GUIDE,REAR,SUPPORT;B		1
728	1104255	IDLE ROLLER;B		12
729	2060182	HARNES,ASF		1
730	1073165	C.B.S. SCREW(B300204211)	M3X6	1
800	F138010	PRINT HEAD	672	1
801	1104293	CLEANER,HEAD;C		1
802	1090325	FASTENER,HEAD		1
803	1024130	C.B.P-TITE SCREW,3X6,F/ZN		2
804	1090329	LEEF SPRING,SET,CARTRIDGE;A		1
805	1090330	LEEF SPRING,SET,CARTRIDGE;B		1
806	1090243	MOUNTING PLATE,HOUSING,HOPPER		1
808	1104239	PAPER GUIDE,ROLL;B		1
809	1090390	REINFORCEMENT PLATE,PAPER GUIDE,RULE		1
810	1055837	IDLE ROLLER		6
811	1005416	SHAFT,MOUNT,CR		1
812	1090722	SHEET,PE		1
813	1112436	LABEL;QR		1
814	1032300	C.B.S-TITE(P4),3X6,F/ZN		1
815	1073165	C.B.S. SCREW(B300204211)	M3X6	3
816	1091643	COMPRESSION SPRING,2.45		1
817	1090411	CLEANER,HEAD;B		1
850	1090242	SHIELD,PLATE,M/B		1
851	1030669	GROUNDING PLATE		2
852	1109127	GASKET,MAIN		1
853	1104431	SHIELD		1
854	1004539	C.B. SCREW(B010103311)	M3X6	3
855	1073165	C.B.S. SCREW(B300204211)	M3X6	17
856	1024130	C.B.P-TITE SCREW,3X6,F/ZN		2
857	1075905	LOCKING WIRE SADDLE(X510080050)		2
858	1109126	FERRITE CORE,MAIN		2
900	1109302	TRAY,CDR,UNIT;B		1
901	1109352	FRAME,ROLL PAPER,RIGHT;D,ASSY.		1
902	1109353	FRAME,ROLL PAPER,LEFT;D,ASSY.		1
903	1091418	ADAPTER,CDR		1
904	1061518	SHEET,CD,DUMMY		1
905	1109048	AUTOMATIC ROLL PAPER CUTTER,MAIN		1
N/A	1092301	INK CARTRIDGE,PHOTO BLACK,,AS		1
N/A	1092303	INK CARTRIDGE,CYAN,,AS		1
N/A	1092304	INK CARTRIDGE,MAGENTA,,AS		1
N/A	1092305	INK CARTRIDGE,YELLOW,,AS		1
N/A	1092306	INK CARTRIDGE,LIGHT CYAN,,AS		1
N/A	1092307	INK CARTRIDGE,LIGHT MAGENTA,,AS		1
N/A	1092308	INK CARTRIDGE,"LIGHT BLACK",,AS		1

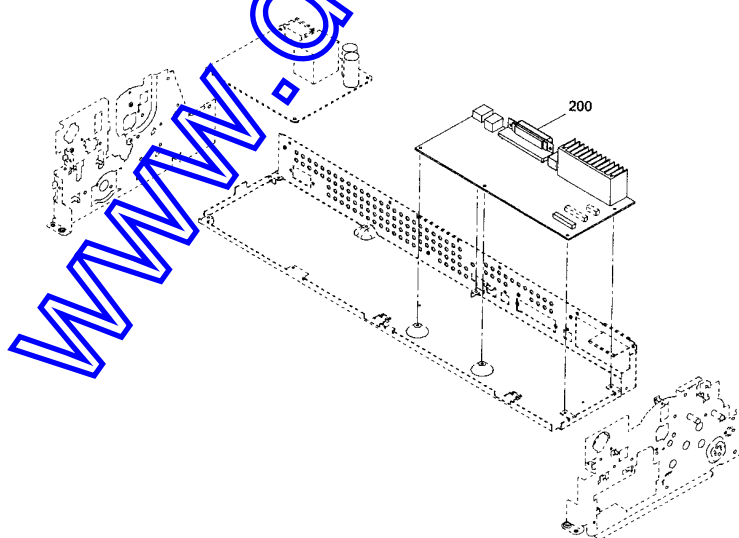
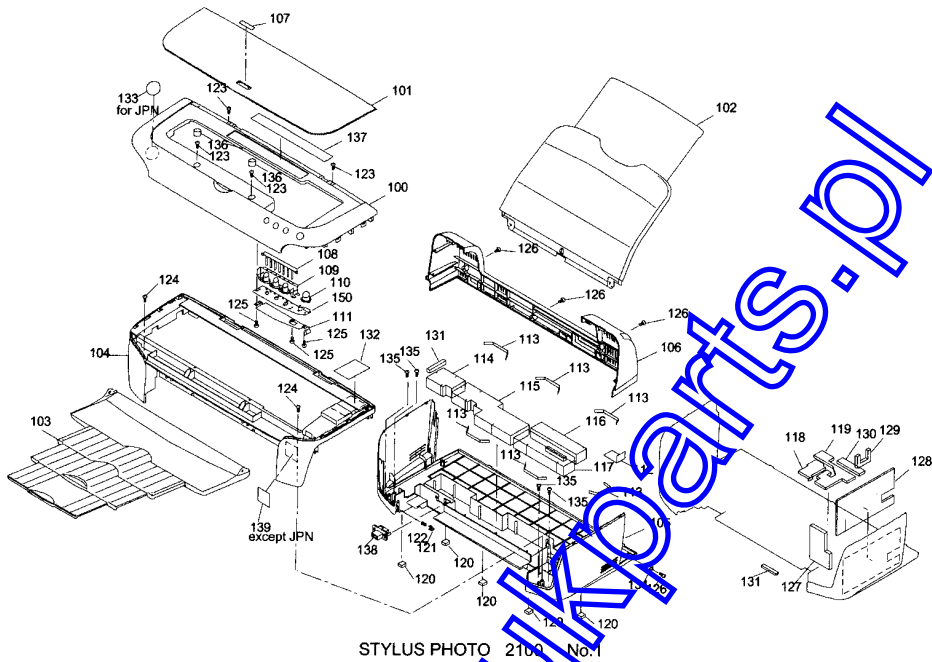
# EPSON

## STYLUS PHOTO 2100

Page No.:5

REF	PART NO	DESCRIPTION	SPEC	Qty
N/A	1092309	INK CARTRIDGE,MATT BLACK,,AS		1
END				

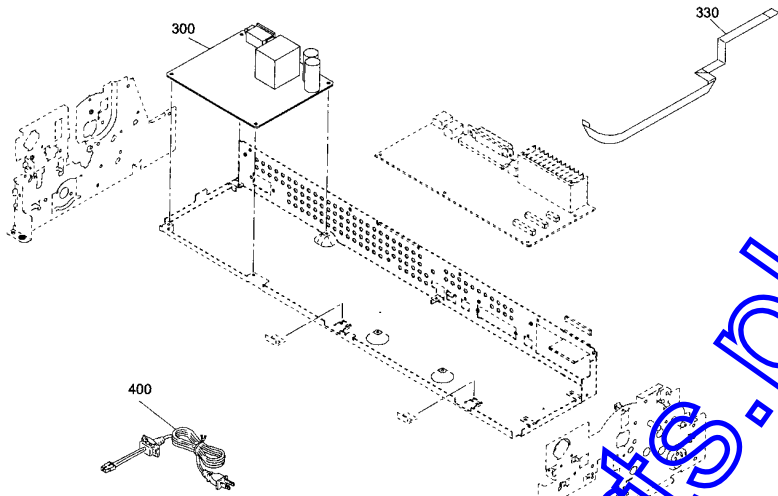
NOTE: REFER TO "TECHEXCHANGE" FOR INFORMATION ABOUT ORDERING IC'S



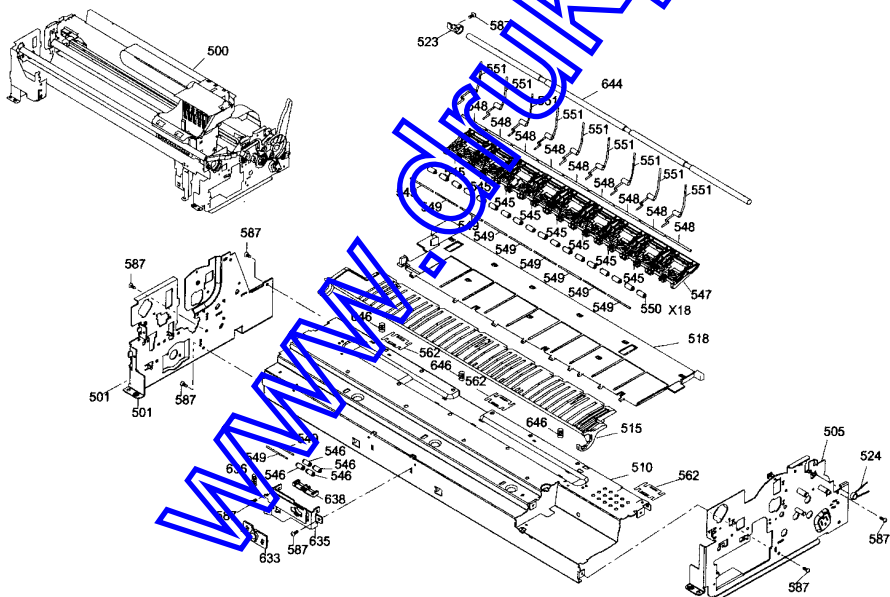
# EPSON

## STYLUS PHOTO 2100

Page No.:6



STYLUS PHOTO 2100 No.3



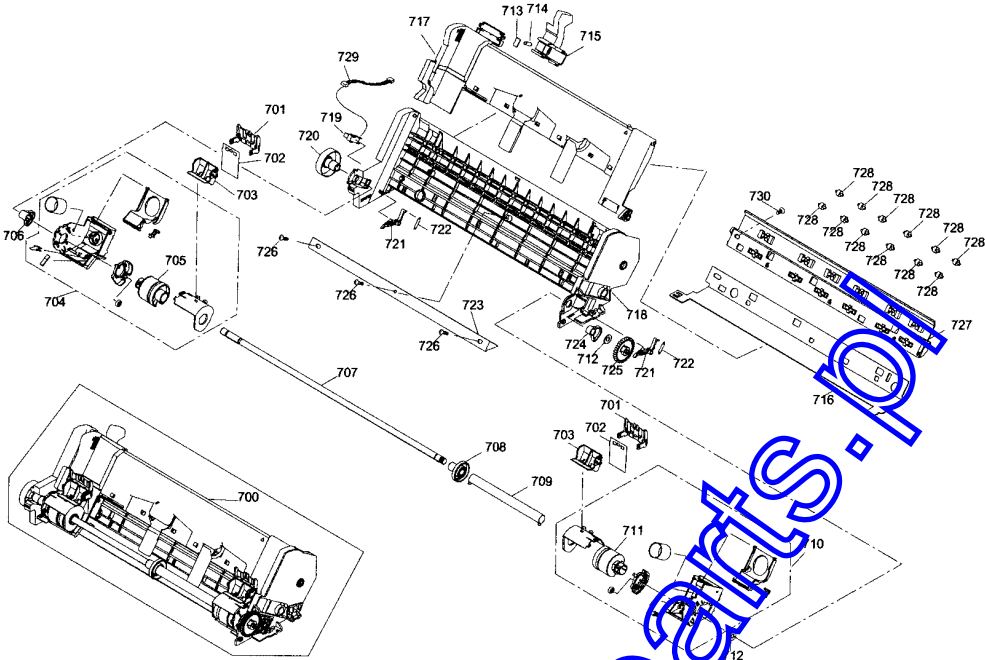
STYLUS PHOTO ,2100 No.4



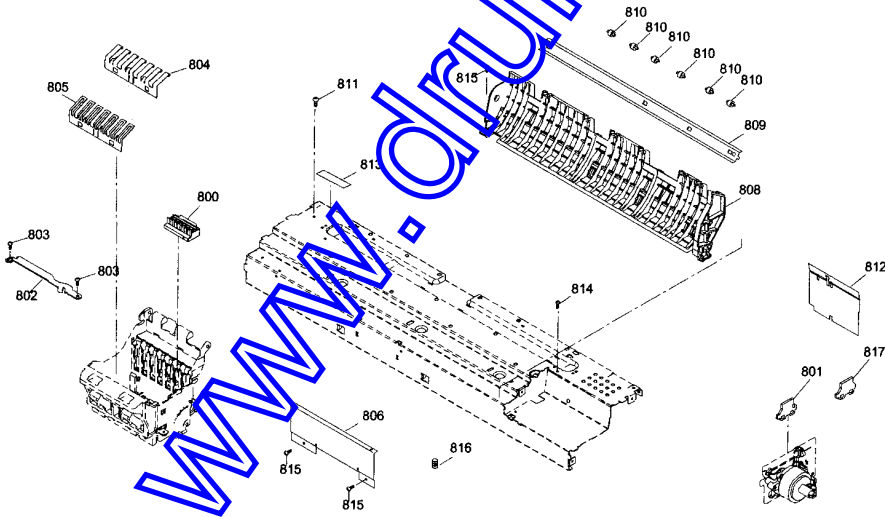
# EPSON

## STYLUS PHOTO 2100

Page No.:8



STYLUS PHOTO 2100 No.7 Rev.02 C387-MECH-042



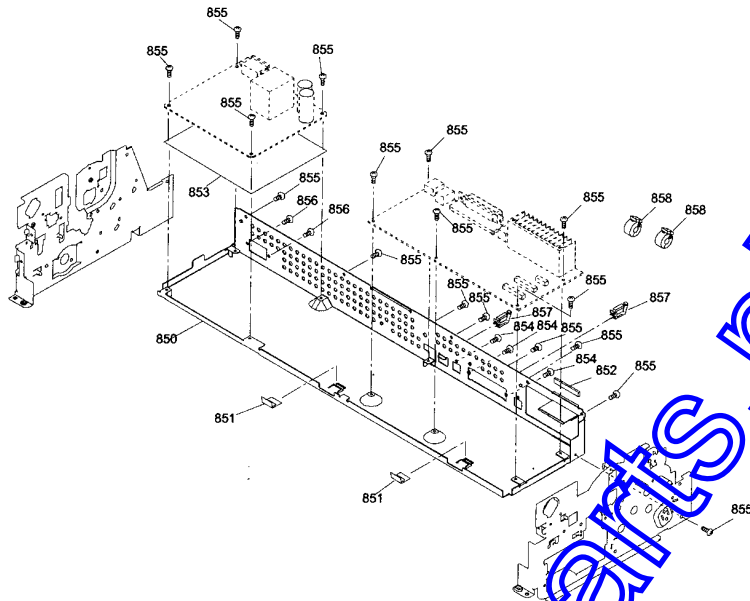
STYLUS PHOTO 2100 No.8 Rev.02 C387-MECH-052



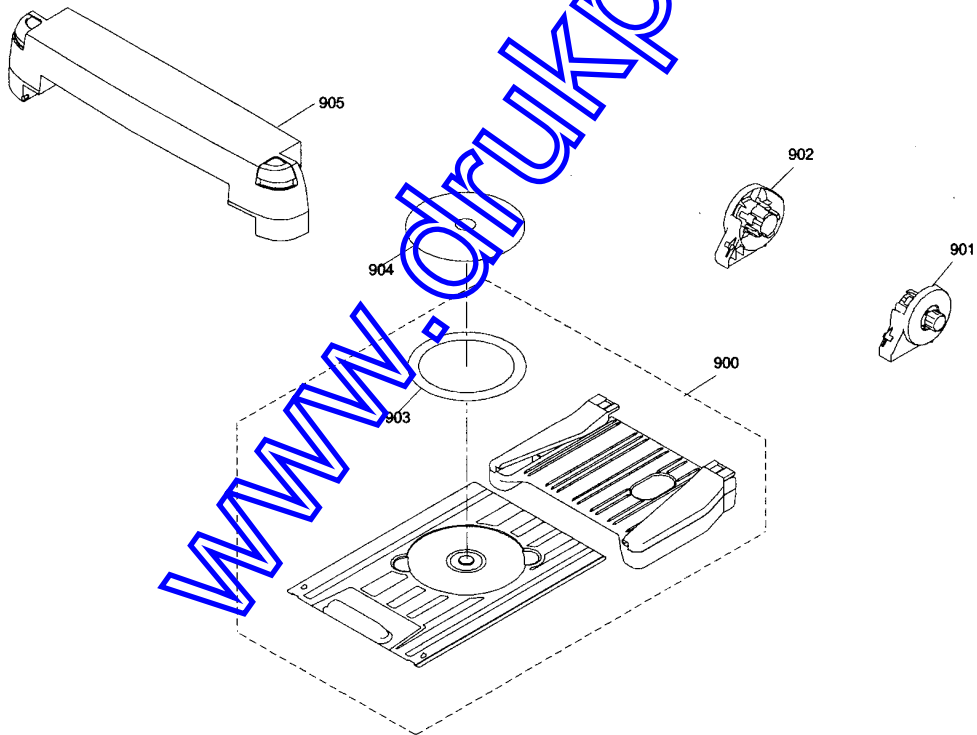
# EPSON

## STYLUS PHOTO 2100

Page No.:9



STYLUS PHOTO 2100 No.9



STYLUS PHOTO 2100 No.10 Rev.02 C387-MECH-072