

NB: Part Number rationalisation – 10 digit part numbers in brackets are the old numbers for otherwise identical items

STYLUS PHOTO 1290S

(This version is two-tone Black and Silver)

Page No.:1

REF	PART NO	DESCRIPTION	SPEC	QTY
100	1212334	HOUSING;C		1
101	1212774	COVER,PRINTER; SILVER		1
102	1212954	PAPER SUPPORT ASSY.;		1
103	1212952	STACKER ASSY.;BLACK		1
104	1212724	HOUSING,PANEL,RIGHT;BLACK		1
105	1049418	SHIELD PLATE,PANEL		1
106	1212953	PANEL ASSY.,LEFT;BLACK		1
108	1030669	GROUNDING PLATE		3
109	1030609	COVER,SHIELD PLATE,M/B,RIGHT		1
110	1212755	COVER,PRINTER,SUPPORT, BLACK		1
111	1030608	COVER,CABLE		1
112	1043515	COVER,INLET,UPPER;D BLACK		1
113	1043516	COVER,INLET,LOWER;D BLACK		1
114	1049420	SHIELD PLATE,M/B		1
115	1113892	LOGO PLATE 10X40;F		1
116	1212335	HOUSING,SUPPORT,RIGHT;D BLACK		1
117	1212336	HOUSING,SUPPORT,LEFT;D BLACK		1
119	1047689	FOOT		4
121	1004539	C.P.SCREW(B010103311)	M3X6	3
122	1073165	C.B.S. SCREW(B300204211)	M3X6	24
123	1032538	C.B.(O) SCREW,4X5,F/ZG		1
124	1073172	C.B.S. SCREW(B300204411)	M3X10	4
125	1005019	C.B.P-TITE SCREW,3X8,F/ZN	M3X8 F/ZN	7
126	1073171	C.B.S. SCREW(B300204311)	M3X8	2
130	1212343	BUTTON;D BLACK		1
131	1040616	COVER,CABLE;B		1
132	1212344	BUTTON,PS;C		1
133	1050113	BUTTON,CSIC		1
136	1059611	OPTICAL TUBE		1
137	1063274	SHEET,PROTECTION,CONDENSER		1
180	1061183	LABEL,CAUTION;B		1
184	1061780	LABEL,ACCESSORY		1
200	2037352	BOARD ASSY.,MAIN	(MITSUBISHI DAC)	1
IC2	2047301	EP-ROM	OTHER,8 MBIT,42	1
300	2056153	BOARD ASSY.,POWER SUPPLY		1
330	2036869	HARNES		1
401	2056146	HARNES		1
450	2036867	BOARD ASSY.,PANEL	5687A,STD(C393/C394)	1
500	2077988	PRINTING MECHANISM(ASP)M-4S61-101		1
501	1053413	FRAME ASSY.,LEFT;B		1
502	2037235	MOTOR ASSY.,PF	42W,DC	1
503	1061304	GROUNDING PLATE,PAPER GUIDE,FRONT		1
504	1048835	COMBINATION GEAR,12,22.4		1
505	1049372	FRAME,RIGHT,FRONT		1
506	1049365	FRAME,UPPER		1
507	2040361	MOTOR ASSY.,CARRIAGE	21W,DC	1
508	1055172	PUMP,ASSY.		1
509	1055173	CAP ASSY.		1
510	1049368	FRAME,LOWER		1
511	1055161	SHEET,PROTECT,INK		1
512	1049367	FRAME,FRONT		1

NB: Part Number rationalisation – 10 digit part numbers in brackets are the old numbers for otherwise identical items

STYLUS PHOTO 1290S

(This version is two-tone Black and Silver)

Page No.:2

REF	PART NO	DESCRIPTION	SPEC	QTY
513	1030392	BUSHING,PARALLELISM ADJUST,LEFT		1
514	1030393	BUSHING,PARALLELISM ADJUST,RIGHT		1
515	1042304	PAPER GUIDE,REAR		1
516	1178160	ROLLER,PF;B		1
517	1037092	COMPRESSION SPRING,5.86		1
518	1037093	BUSHING,12,LEFT		1
519	1048804	TENSION BELT,PUMP TRANSMISSION		1
520	1048834	SPUR GEAR,15.2		1
521	1030975	SPACER,C-RING		1
522	1032301	SCALLOP SPRING PIN-AW,2X16,F/B		1
523	1038157	SLEEVE,ROLLER,PF		1
524	1048928	SPUR GEAR,76		1
525	1037094	SPACER,FASTEN,ROLLER,PF		1
526	1037095	SPACER,FASTEN,ROLLER,PF;B		1
527	1031164	C-RING		1
528	1038159	PLAIN WASHER,12.2X0.5X17		2
529	1059605	ROLLER ASSY.,EJECT OUT		1
530	1048829	BUSHING,6		2
531	1074107	RETAINING RING(B150300711)	TYPE-E(4)	4
532	1048929	SPUR GEAR,28		1
533	1030403	BUSHING,12,RIGHT		1
534	1030971	PLAIN WASHER,4.1X0.5X6.5		2
535	1059602	PAPER GUIDE ASSY.,FRONT		1
536	1042582	GROUNDING WIRE,EJ		1
537	1048885	GROUNDING SPRING,PF		1
538	1055703	FRAME,PAPER EJECT;B		1
539	1232494	HOLDER,STAR WHEEL,RIGHT		1
540	1232495	HOLDER,STAR WHEEL,LEFT		1
541	1032723	HOLDER,STAR WHEEL,FRONT		2
542	1048117	STAR WHEEL,8;G		30
543	1033652	STAR WHEEL,8;B		2
544	1055160	ROD SPRING,STAR WHEEL;B		22
545	1030408	PAPER GUIDE,UPPER		8
546	1051145	ROLLER,DRIVEN		4
547	1032646	PAPER GUIDE,RIGHT		1
548	1030968	SHAFT,PAPER GUIDE,UPPER		9
549	1030969	SHAFT,ROLLER,DRIVEN		11
550	1038961	ROLLER,DRIVEN;D		18
551	1030956	TORSION SPRING,117.6		9
552	2022329	CARRIAGE ASSY,PE		1
553	1049391	HOLDER,PE		1
554	1049390	LEVER,PE		1
555	1030958	TORSION SPRING,0.22		1
556	1048816	LEVER,CR,LOCK		1
557	1049370	GUIDE PLATE,CARRIAGE		1
558	1042313	SHEET,CABLE		1
559	1050769	SCREW,MOUNT,PF		1
560	1217824	CARRIAGE ASSY.;B		1
561	1021826	CUP SCREW(B040302511)	M3X6 F/ZN	1
562	1061671	GROUNDING PLATE,HEAD		1
563	1049380	OIL PAD		1

NB: Part Number rationalisation – 10 digit part numbers in brackets are the old numbers for otherwise identical items

STYLUS PHOTO 1290S

(This version is two-tone Black and Silver)

Page No.:3

REF	PART NO	DESCRIPTION	SPEC	QTY
564	1061665	SLIDER,CARRIAGE		1
565	1049378	TIMING BELT		1
566	1057733	SHAFT ASSY.,CARRIAGE,GUIDE		1
567	1050345	PULLEY,DRIVEN		1
568	1048810	HOLDER,PULLEY,DRIVEN		1
569	1049695	COMPRESSION SPRING,23.52		1
570	1044480	LEVER,PAPER GUIDE		1
571	1030395	LEVER,PAPER GUIDE,SUPPORT		1
572	1048889	TORSION SPRING,63.7		1
573	1049384	HOLDER,PAPER SUPPORT,UPPER		1
574	1048930	COMBINATION GEAR,13.5,30		1
575	1050346	BUSHING,PULLEY,DRIVEN		2
577	1050347	SHAFT,PULLEY,DRIVEN		1
578	1048907	EXTENSION SPRING,0.618		1
579	1048833	LEVER,PLATEN		1
580	2022330	HARNESS,PE		1
582	1048721	SHAFT,SPUR GEAR,PLATEN		1
583	1059635	PAPER SUPPORT,UPPER,LEFT;B		1
584	1037724	PAPER SUPPORT,UPPER		1
585	1048912	U-TYPE SPRING,5.2X0.13X10,S/NA		1
586	1048836	COMBINATION GEAR,14,28		1
587	1073165	C.B.S. SCREW(B300204211)	M3X6	32
588	1004539	C.P.SCREW(B010103311)	M3X6	1
589	1076289	LEAF SPRING(B101254590)	6.2X0.15X11	1
590	1017597	PLAIN WASHER,3.3X0.5X8,F/U		1
591	1043627	C.B.P-TITE,2.5X5,F/ZN		1
592	1048909	PLAIN WASHER,6.2*0.7*11		1
593	1048890	PLAIN WASHER,5.1X0.7*11		1
594	1048893	PLAIN WASHER,10.7X0.7*15.5		1
598	1036849	EXTENSION SPRING,0.29		1
599	1049373	FRAME,MIDDLE		1
603	1048913	TAPE,D50		1
604	1048919	BOARD ASSY.,ENCODER		2
605	2032470	SCALE,CARRIAGE		1
606	1080414	SCALE,PAPER FEED		1
607	1048898	MOUNTING PLATE,SCALE		1
608	2032471	FFC ENCODER		1
609	1048888	EXTENSION SPRING,1.494		1
610	1049348	MOTOR COMP,UAMS-05SN		3
611	1048957	SCREW TOP SPRING PIN-AW,2X10,F/B		1
612	1005019	C.B.P-TITE SCREW,3X8,F/ZN	M3X8 F/ZN	3
613	1048822	MOUNTING PLATE,BOARD ASSY.		1
614	1048875	FRAME,RIGHT,REAR		1
616	1048908	EXTENSION SPRING,7.37		1
618	1048910	LEVER ASSY,COMBINATION GEAR		1
619	1050767	SET RING,D8.8		2
620	2032192	MOTOR ASSY,ASF		1
621	1076263	P.W.,3.1X0.5X12,F/ZN(B100165911)		1
622	1074104	RETAINING RING(B150300611)	TYPE-E(3)	1
623	1048839	COMBINATION GEAR,17.19,25.6		1
624	1048840	COMBINATION GEAR,12,22.92		1

NB: Part Number rationalisation – 10 digit part numbers in brackets are the old numbers for otherwise identical items

STYLUS PHOTO 1290S

(This version is two-tone Black and Silver)

Page No.:4

REF	PART NO	DESCRIPTION	SPEC	QTY
625	1048842	LEVER,DE,LOCK		1
626	1048832	MOUNTING PLATE,MOTOR,ASF		1
627	1048906	COMPRESSION SPRIN,3.944		1
628	1050765	FERRULE,D3.6		2
629	1032300	C.B.S-TITE(P4),3X6,F/ZN		3
630	1038484	PLAIN WASHER,4.5X0.5X8,L/NA		1
632	1232496	HOLDER,STAR WHEEL,SUPPORT		1
633	1049392	BUSH,ROLLER PF,SUPPORT		1
634	1049393	LEVER,ROLLER PF,SUPPORT		1
635	1049394	MOUNTIN PLATE,LEVER,ROLLER PF,SUPPORT		1
636	1049395	EXTENSION SPRING,10.1		1
637	1050505	SHEET,INK STOPPER		1
638	1051412	HOLDER,ROLLER PF,SUPPORT		1
641	1059607	POROUS PAD,PAPER GUIDE,FRONT		1
700	F083000	PRINT HEAD	288	1
701	1074768	RETAINING RING(B150300911)	4 TITE-E(6)	3
702	1236436	CARRIAGE,SUPPORT		1
703	1024130	C.B.P-TITE SCREW,3X6,F/ZN		6
704	2037087	CABLE,HEAD		1
705	1050331	HOLDER,CABLE		1
706	1061450	SPACER,CABLE HEAD		1
707	1214523	FRAME,ASF,GREY		1
708	1214521	HOPPER, GREY		1
709	1214524	EDGE GUIDE,EDG2		1
710	1040606	CORK		1
711	1030429	SLIDER,EDGE GUIDE		1
712	1030960	COMPRESSION SPRING,3.23		1
713	1033016	PAD,BRAKE,EDGE GUIDE		1
714	1053150	SUPPORT PLATE,HOPPER;B		1
715	1049381	SPUR GEAR,32		1
716	1040661	PAD ASSY.,RIGHT		1
717	1030450	LEVER,PAD,RELEASE,RIGHT		1
718	1030420	ROD SPRING HOLDER, PAD		2
719	1040608	HOLDER,EDGE GUIDE,RIGHT		1
720	1036867	COMPRESSION SPRING,1.17		2
721	1036874	EXTENSION SPRING,0.62		2
722	1040595	LEVER,PAPER RETURN,RIGHT		1
723	1040646	EXTENSION SPRING,0.294		2
724	1040596	ROLLER LD,SUPPORT		2
725	1040648	HOLDER,ROLLER,LD,SUPPORT,RIGHT		1
726	1040660	PAD ASSY.,LEFT		1
727	1030449	LEVER,PAD,RELEASE,LEFT		1
728	1040602	HOLDER,EDGE GUIDE,LEFT		1
729	1040594	LEVER,PAPER RETURN,LEFT		1
730	1040647	HOLDER, ROLLER,LD,SUPPORT,LEFT		1
731	1043034	ROLLER ASSY,LD,LEFT		1
732	1043035	ROLLER ASSY,LD,RIGHT		1
733	1040597	COVER,ROLLER,LD,LEFT		1
734	1040598	COVER,ROLLER,LD,RIGHT		1
735	1036868	COMPRESSION SPRING,1.961		2
736	1038211	LEVER,FASTEN,EDGE GUIDE;B		2

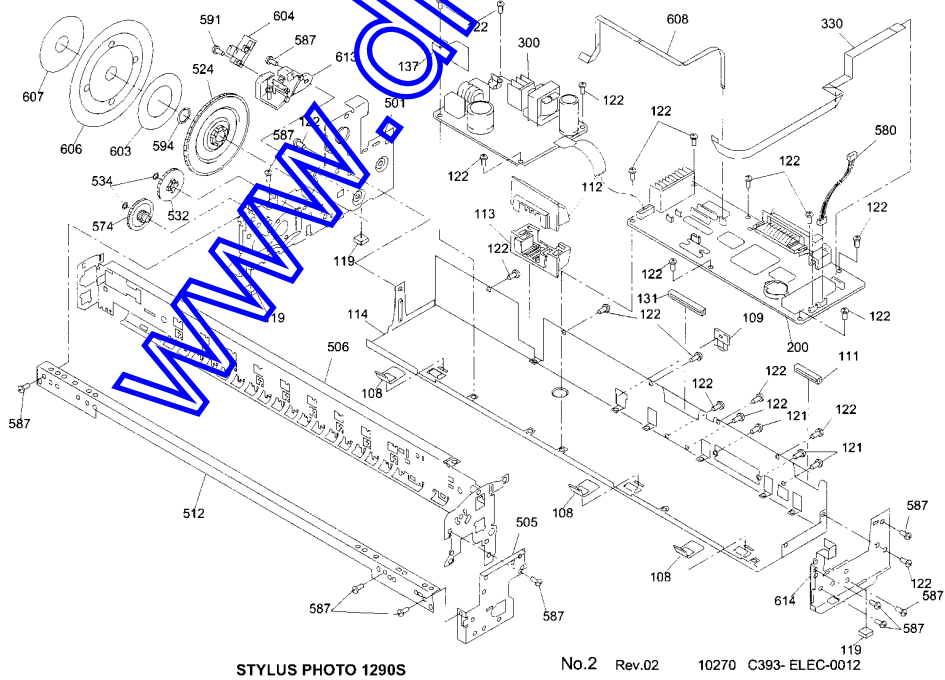
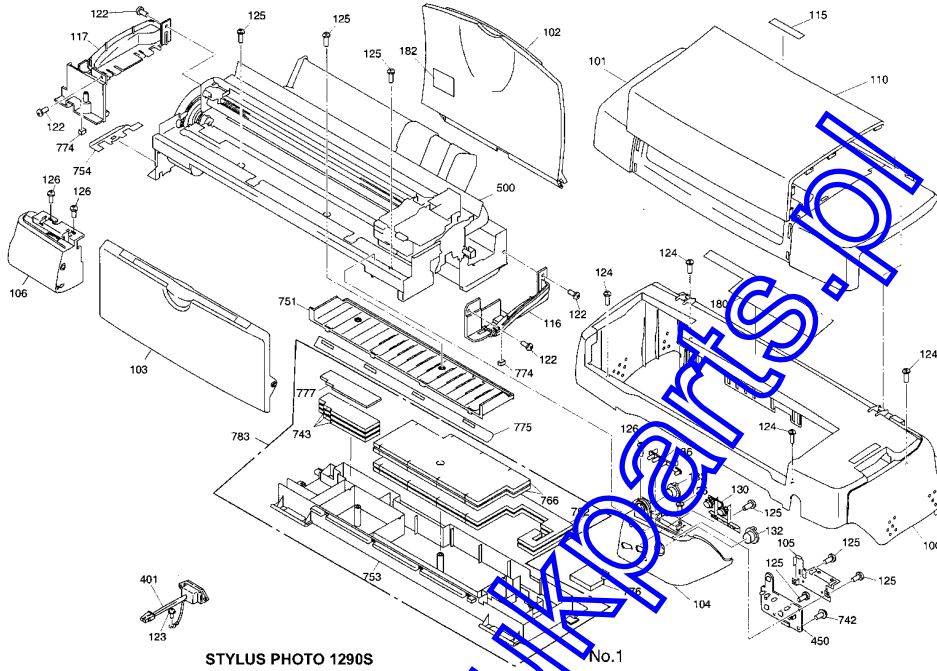
NB: Part Number rationalisation – 10 digit part numbers in brackets are the old numbers for otherwise identical items

STYLUS PHOTO 1290S

(This version is two-tone Black and Silver)

Page No.:6

NOTE: REFER TO “TECHEXCHANGE” FOR INFORMATION ABOUT ORDERING IC’S.

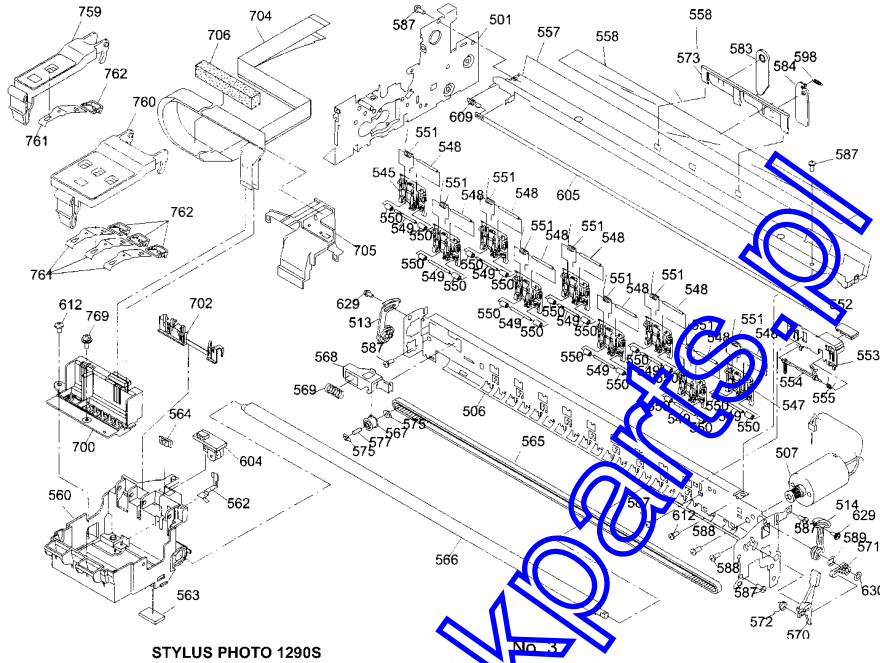


NB: Part Number rationalisation – 10 digit part numbers in brackets are the old numbers for otherwise identical items

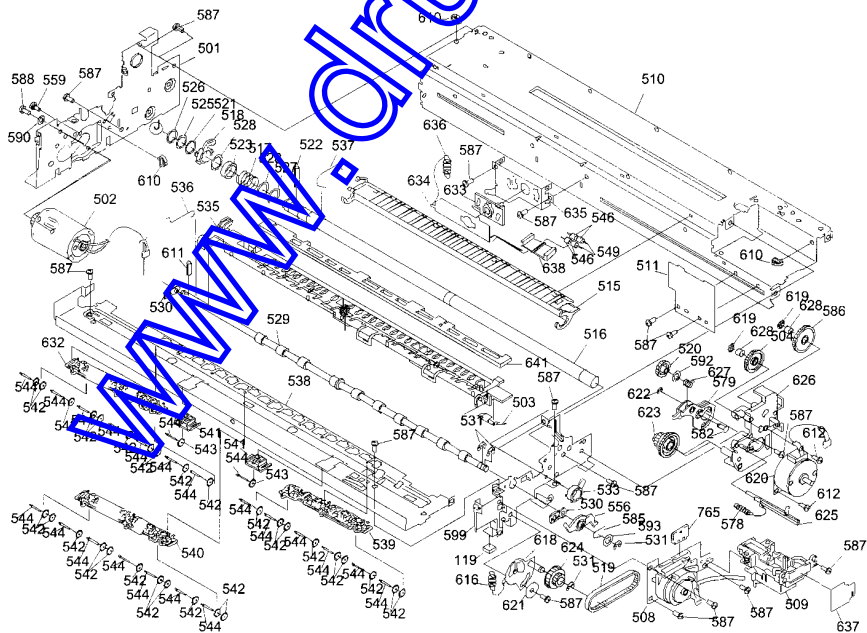
STYLUS PHOTO 1290S

(This version is two-tone Black and Silver)

Page No.:7



STYLUS PHOTO 1290S



STYLUS PHOTO 1290S

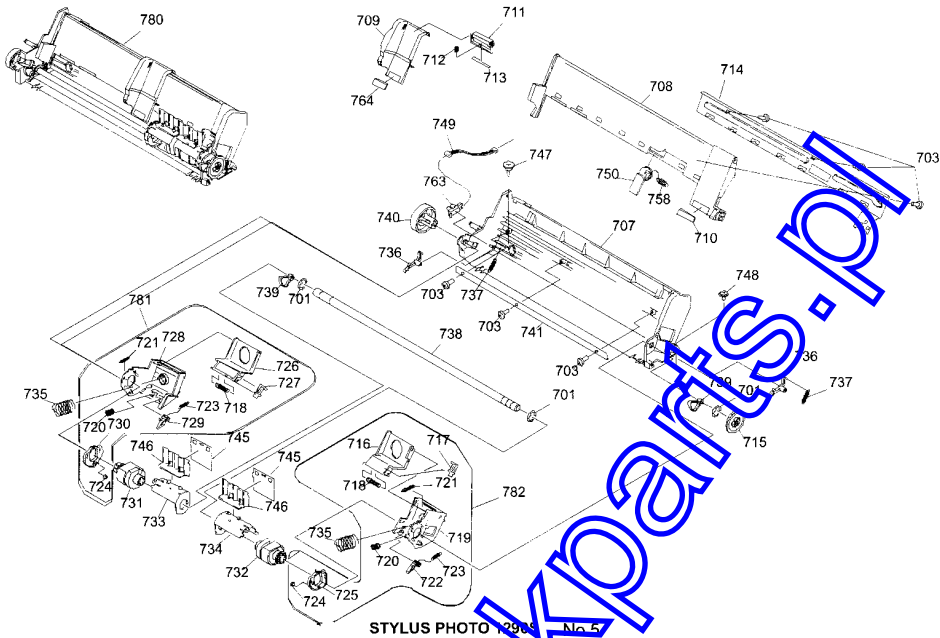
No. 4

NB: Part Number rationalisation – 10 digit part numbers in brackets are the old numbers for otherwise identical items

STYLUS PHOTO 1290S

(This version is two-tone Black and Silver)

Page No.:8



NB: Part Number rationalisation – 10 digit part numbers in brackets are the old numbers for otherwise identical items

STYLUS PHOTO 1290S

(This version is two-tone Black and Silver)

Page No.:9

