

EPSON

STYLUS PHOTO 1290

Page 1

| REF | PART NO | DESCRIPTION | SPEC | QTY |
|-----|------------|-----------------------------------|-------------------------------|-----|
| 100 | 1049402 | HOUSING | | 1 |
| 101 | 1050099 | COVER,PRINTER | | 1 |
| 102 | 1043087 | PAPER SUPPORT,ASSY | | 1 |
| 103 | 1059831 | STACKER ASSY.,C | | 1 |
| 104 | 1059612 | HOUSING,PANEL,RIGHT | | 1 |
| 105 | 1049418 | SHIELD PLATE,PANEL | | 1 |
| 106 | 1059834 | PANEL ASSY.,LEFT;C | | 1 |
| 108 | 1030669 | GROUNDING PLATE | | 3 |
| 109 | 1030609 | COVER,SHIELD PLATE,M/B,RIGHT | | 1 |
| 110 | 1059610 | COVER,PRINTER,SUPPORT | | 1 |
| 111 | 1030608 | COVER,CABLE | | 1 |
| 112 | 1037313 | COVER,INLET,UPPER;B | | 1 |
| 113 | 1037314 | COVER,INLET,LOWER;B | | 1 |
| 114 | 1049420 | SHIELD PLATE,M/B | | 1 |
| 115 | 1058403 | LOGO PLATE 10X40;C | | 1 |
| 116 | 1059829 | HOUSING,SUPPORT,RIGHT;C | | 1 |
| 117 | 1059830 | HOUSING,SUPPORT,LEFT;C | | 1 |
| 119 | 1047689 | FOOT | | 4 |
| 121 | B010103311 | C.P.SCREW | M3 | 3 |
| 122 | B300204211 | C.B.S. SCREW | M2 X6 | 24 |
| 123 | 1032538 | C.B.(O) SCREW,4X5,F/ZG | | 1 |
| 124 | B300204411 | C.B.S. SCREW | M3X16 | 4 |
| 125 | 1005019 | C.B.P-TITE SCREW,3X8,F/ZN | M3X8 F/ZN | 7 |
| 126 | B300204311 | C.B.S. SCREW | M3X8 | 2 |
| 130 | 1059827 | BUTTON;C | | 1 |
| 131 | 1040616 | COVER,CABLE;B | | 1 |
| 132 | 1059828 | BUTTON,PS;B | | 1 |
| 136 | 1059611 | OPTICAL TUBE | | 1 |
| 133 | 1050113 | BUTTON,CSIC | | 1 |
| 180 | 1061183 | LABEL,CAUTION;B | | 1 |
| 181 | 1061181 | LABEL,MODEL NAME;B | | 1 |
| 182 | 1051405 | LABEL,PAPER SET;B | | 1 |
| 200 | 2036865 | BOARD ASSY., MAIN | WITHOUT IC 2 (SEE NOTE BELOW) | 1 |
| 300 | 2037090 | BOARD ASSY., POWER SUPPLY | 5663B,STANDARD(C393/C394) | 1 |
| 330 | 2036869 | HARNESS | | 1 |
| 400 | 2006741 | POWER CABLE,ESS-3030 SR-10A | 240V | 1 |
| 401 | 2018028 | HARNESS | 220V/230V/240V | 1 |
| 450 | 2036867 | BOARD ASSY.,PANEL | 5687A,STANDARD(C393/C394) | 1 |
| 500 | 2037969 | PRINTER MECHANISM (SP),M4S61-100 | | 1 |
| 501 | 1053413 | FRAME ASSY.,LEFT;B | | 1 |
| 502 | 2037235 | MOTOR ASSY,PAPER FEED | 42W,DC | 1 |
| 503 | 1061304 | GROUNDING PLATE,PAPER GUIDE,FRONT | | 1 |
| 504 | 1048835 | COMBINATION GEAR,12,22.4 | | 1 |
| 505 | 1049372 | FRAME,INCH,FRONT | | 1 |
| 506 | 1049365 | FRAME,UPPER | | 1 |
| 507 | 2040361 | MOTOR ASSY.,CARRIAGE | 21W,DC | 1 |
| 508 | 1055172 | ROLLER ASSY. | | 1 |
| 509 | 1055173 | CAP ASSY. | | 1 |
| 510 | 1049368 | FRAME,LOWER | | 1 |
| 511 | 1055161 | SHEET,PROTECT,INK | | 1 |
| 512 | 1049367 | FRAME,FRONT | | 1 |
| 513 | 1030392 | BUSHING,PARALLELISM ADJUST,LEFT | | 1 |
| 514 | 1030393 | BUSHING,PARALLELISM ADJUST,RIGHT | | 1 |
| 515 | 1042304 | PAPER GUIDE,REAR | | 1 |
| 516 | 1049385 | ROLLER,PF | | 1 |
| 517 | 1037092 | COMPRESSION SPRING,5.86 | | 1 |
| 518 | 1037093 | BUSHING,12,LEFT | | 1 |
| 519 | 1048804 | TENSION BELT,PUMP TRANSMISSION | | 1 |
| 520 | 1048834 | SPUR GEAR,15.2 | | 1 |
| 521 | 1030975 | SPACER,C-RING | | 1 |
| 522 | 1032301 | SCALLOP SPRING PIN-AW,2X16,F/B | | 1 |
| 523 | 1038157 | SLEEVE,ROLLER,PF | | 1 |
| 524 | 1048928 | SPUR GEAR,76 | | 1 |
| 525 | 1037094 | SPACER,FASTEN,ROLLER,PF | | 1 |
| 526 | 1037095 | SPACER,FASTEN,ROLLER,PF;B | | 1 |

EPSON

STYLUS PHOTO 1290

Page 2

| REF | PART NO | DESCRIPTION | SPEC | QTY |
|-----|------------|------------------------------------|-------------|-----|
| 527 | 1031164 | C-RING | | 1 |
| 528 | 1038159 | PLAIN WASHER,12.2X0.5X17 | | 2 |
| 529 | 1059605 | ROLLER ASSY.,EJECT OUT | | 1 |
| 530 | 1048829 | BUSHING,6 | | 2 |
| 531 | B150300711 | RETAINING RING | TYPE-E(4) | 4 |
| 532 | 1048929 | SPUR GEAR,28 | | 1 |
| 533 | 1030403 | BUSHING,12,RIGHT | | 1 |
| 534 | 1030971 | PLAIN WASHER,4.1X0.5X6.5 | | 2 |
| 535 | 1059602 | PAPER GUIDE ASSY.,FRONT | | 1 |
| 536 | 1042582 | GROUNDING WIRE,EJ | | 1 |
| 537 | 1048885 | GROUNDING SPRING,PF | | 1 |
| 537 | 1061843 | GROUNDING SPRING,PF | | 1 |
| 538 | 1055703 | FRAME,PAPER EJECT;B | | 1 |
| 539 | 1061017 | HOLDER,STAR WHEEL,RIGHT;B | | 1 |
| 540 | 1061018 | HOLDER,STAR WHEEL,LEFT;B | | 1 |
| 541 | 1032723 | HOLDER,STAR WHEEL,FRONT | | 2 |
| 542 | 1048117 | STAR WHEEL,8;G | | 30 |
| 543 | 1033652 | STAR WHEEL,8;B | | 2 |
| 544 | 1055160 | ROD SPRING,STAR WHEEL;B | | 22 |
| 545 | 1030408 | PAPER GUIDE,UPPER | | 8 |
| 546 | 1051145 | ROLLER,DRIVEN | | 4 |
| 547 | 1032646 | PAPER GUIDE,RIGHT | | 1 |
| 548 | 1030968 | SHAFT,PAPER GUIDE,UPPER | | 9 |
| 549 | 1030969 | SHAFT,ROLLER,DRIVEN | | 11 |
| 550 | 1038961 | ROLLER,DRIVEN;D | | 18 |
| 551 | 1030956 | TORSION SPRING,117.6 | | 9 |
| 552 | 2022329 | CIRCUIT ASSY,PE | | 1 |
| 553 | 1049391 | HOLDER,PE | | 1 |
| 554 | 1049390 | LEVER,PE | | 1 |
| 555 | 1030958 | TORSION SPRING,0.22 | | 1 |
| 556 | 1048816 | LEVER,CARRIAGE,LOCK | | 1 |
| 557 | 1049370 | GUIDE PLATE,CARRIAGE | | 1 |
| 558 | 1042313 | SHEET,CABLE | | 1 |
| 559 | 1050769 | SCREW,MOUNT,PF | | 1 |
| 560 | 1059608 | CARRIAGE | | 1 |
| 561 | B040302511 | CUP SCREW | M3X6 F/ZN | 1 |
| 562 | 1061671 | GROUNDING PLATE,HEAD | | 1 |
| 563 | 1049380 | OIL PAD | | 1 |
| 564 | 1061665 | SLIDER,CARRIAGE | | 1 |
| 565 | 1049378 | TIMING BELT | | 1 |
| 566 | 1057733 | SHAFT ASSY.,CARRIAGE,GUIDE | | 1 |
| 567 | 1050345 | PULLEY,DRIVEN | | 1 |
| 568 | 1048810 | HOLDER,PULLEY,DRIVEN | | 1 |
| 569 | 1049695 | COMPRESSION SPRING,0.22 | | 1 |
| 570 | 1059804 | LEVER,PAPER GUIDE | | 1 |
| 571 | 1030395 | LEVER,PAPER GUIDE,SUPPORT | | 1 |
| 572 | 1048889 | TORSION SPRING,0.22 | | 1 |
| 573 | 1049384 | HOLDER,PAPER SUPPORT,UPPER | | 1 |
| 574 | 1048930 | COMBINATION GEAR,13.5,30 | | 1 |
| 575 | 1050346 | BUSHING,ROLLER,DRIVEN | | 2 |
| 577 | 1050347 | SHAFT,PULLEY,DRIVEN | | 1 |
| 578 | 1048907 | EXTENSION SPRING,0.618 | | 1 |
| 579 | 1048833 | LEVER,PLATEN | | 1 |
| 580 | 2022330 | HARNESS,PE | | 1 |
| 582 | 1048721 | SHAFT,SPUR GEAR,PLATEN | | 1 |
| 583 | 1059635 | PAPER SUPPORT,SUPPORT,UPPER,LEFT;B | | 1 |
| 584 | 1037724 | PAPER SUPPORT,UPPER | | 1 |
| 585 | 1048912 | U-TYPE SPRING,5.2X0.13X10,S/NA | | 1 |
| 586 | 1048836 | COMBINATION GEAR,14,28 | | 1 |
| 587 | B300204211 | C.B.S. SCREW | M3X6 | 32 |
| 588 | B010103311 | C.P.SCREW | M3X6 | 1 |
| 589 | B101254590 | LEAF SPRING | 6.2X0.15X11 | 1 |
| 590 | 1017597 | PLAIN WASHER,3.3X0.5X8,F/UC | | 1 |
| 591 | 1043627 | C.B.P-TITE,2.5X5,F/ZN | | 1 |
| 592 | 1048909 | PLAIN WASHER,6.2*0.2*9,L/NA | | 1 |

EPSON

STYLUS PHOTO 1290

Page 3

| REF | PART NO | DESCRIPTION | SPEC | QTY |
|-----|------------|---------------------------------|------------------------------|-----|
| 593 | 1048890 | PLAIN WASHER,5.1X0.7X11,S/NA | | 1 |
| 594 | 1048893 | PLAIN WASHER,10.7X0.5X15.5,L/NA | | 1 |
| 598 | 1036849 | EXTENSION SPRING,0.29 | | 1 |
| 599 | 1049373 | FRAME,MIDDLE | | 1 |
| 603 | 1048913 | TAPE,D50 | | 1 |
| 604 | 1048918 | BOARD ASSY.,ENCODER | | 2 |
| 605 | 2032470 | SCALE,CR | | 1 |
| 606 | 1048922 | SCALE,PF | | 1 |
| 607 | 1048898 | MOUNTING PLATE,SCALE | | 1 |
| 608 | 2032471 | FFC,ENCODER | | 1 |
| 609 | 1048888 | EXTENSION SPRING,1.494 | | 1 |
| 610 | 1049348 | MINI CLAMP,UAMS-05SN | | 3 |
| 611 | 1048957 | SCALLOP SPRING PIN-AW,2X10,F/B | | 1 |
| 612 | 1005019 | C.B.P-TITE SCREW,3X8,F/ZN | M3X8 F/ZN | 3 |
| 613 | 1048822 | MOUNTING PLATE,BOARD ASSY. | | 1 |
| 614 | 1048875 | FRAME,RIGHT,REAR | | 1 |
| 616 | 1048908 | EXTENSION SPRING,7.37 | | 1 |
| 618 | 1048910 | LEVER ASSEMBLY,COMBINATION GEAR | | 1 |
| 619 | 1050767 | SET RING,D8.8 | | 2 |
| 620 | 2032192 | MOTOR ASSY.,ASF | | 1 |
| 621 | B100165911 | P.W.,3.1X0.5X12,F/ZN | | 1 |
| 622 | B150300611 | RETAINING RING | (TYPE-E(3)) | 1 |
| 623 | 1048839 | COMBINATION GEAR,17.19,25.6 | | 1 |
| 624 | 1048840 | COMBINATION GEAR,12,22.92 | | 1 |
| 625 | 1048842 | LEVER,DE,LOCK | | 1 |
| 626 | 1048832 | MOUNTING PLATE,MOTOR,ASF | | 1 |
| 627 | 1048906 | COMPRESSION SPRING,3.944 | | 1 |
| 628 | 1050765 | FERRULE,D3.6 | | 2 |
| 629 | 1032300 | C.B.S-TITE(P4),3X6,F/ZN | | 3 |
| 630 | 1038484 | PLAIN WASHER,4.5X0.5X8,S/NA | | 1 |
| 632 | 1061086 | HOLDER,STAR WHEEL,SUPPORT | | 1 |
| 633 | 1049392 | BUSH,ROLLER PF,SUPPORT | | 1 |
| 634 | 1049393 | LEVER,ROLLER PF,SUPPORT | | 1 |
| 635 | 1049394 | MOUNTING PLATE, | | 1 |
| 636 | 1049395 | EXTENSION SPRING,0.62 | | 1 |
| 637 | 1050505 | SHEET,INK STOPPER | | 1 |
| 638 | 1051412 | HOLDER,ROLLER PF,SUPPORT | | 1 |
| 641 | 1059607 | POROUS PAD,PAPER GUIDE,FRONT | | 1 |
| 700 | F083000 | PRINT HEAD | 288 | 1 |
| 701 | B150300911 | RETAINING RING | TYPE-E(6) | 3 |
| 702 | 1075419 | CARRIAGE SUPPORT | ITEM OMITTED FROM EARLY LIST | 1 |
| 703 | 1024130 | C.B.P-TITE SCREW,3X6,F/ZN | | 6 |
| 704 | 2037087 | CABLE ASSY,HEAD | ALL HEAD CABLES INCLUDED | 1 |
| 705 | 1050331 | HOLDER,CABLE | | 1 |
| 706 | 1061450 | SPACE,CABLE HEAD | | 1 |
| 707 | 1042307 | FRONT,ASF | | 1 |
| 708 | 1053151 | HOPPER;C | | 1 |
| 709 | 1059803 | EDGE GUIDE;E | | 1 |
| 710 | 1040606 | SPUR GEAR | | 1 |
| 711 | 1030429 | HOLDER,EDGE GUIDE | | 1 |
| 712 | 1030966 | COMPRESSION SPRING,3.23 | | 1 |
| 713 | 1033016 | PAD,BRAKE,EDGE GUIDE | | 1 |
| 714 | 1053150 | SUPPORT PLATE,HOPPER;B | | 1 |
| 715 | 1049381 | SPUR GEAR,32 | | 1 |
| 716 | 1040661 | PAD ASSY.,RIGHT | | 1 |
| 717 | 1030450 | LEVER,PAD,RELEASE,RIGHT | | 1 |
| 718 | 1030420 | ROD SPRING,HOLDER,PAD | | 2 |
| 719 | 1040608 | HOLDER,EDGE GUIDE,RIGHT | | 1 |
| 720 | 1036867 | COMPRESSION SPRING,1.17 | | 2 |
| 721 | 1036874 | EXTENSION SPRING,0.62 | | 2 |
| 722 | 1040595 | LEVER,PAPER RETURN,RIGHT | | 1 |
| 723 | 1040646 | EXTENSION SPRING,0.294 | | 2 |
| 724 | 1040596 | ROLLER,LD,SUPPORT | | 2 |
| 725 | 1040648 | HOLDER,ROLLER,LD,SUPPORT,RIGHT | | 1 |
| 726 | 1040660 | PAD ASSY.,LEFT | | 1 |

EPSON

STYLUS PHOTO 1290

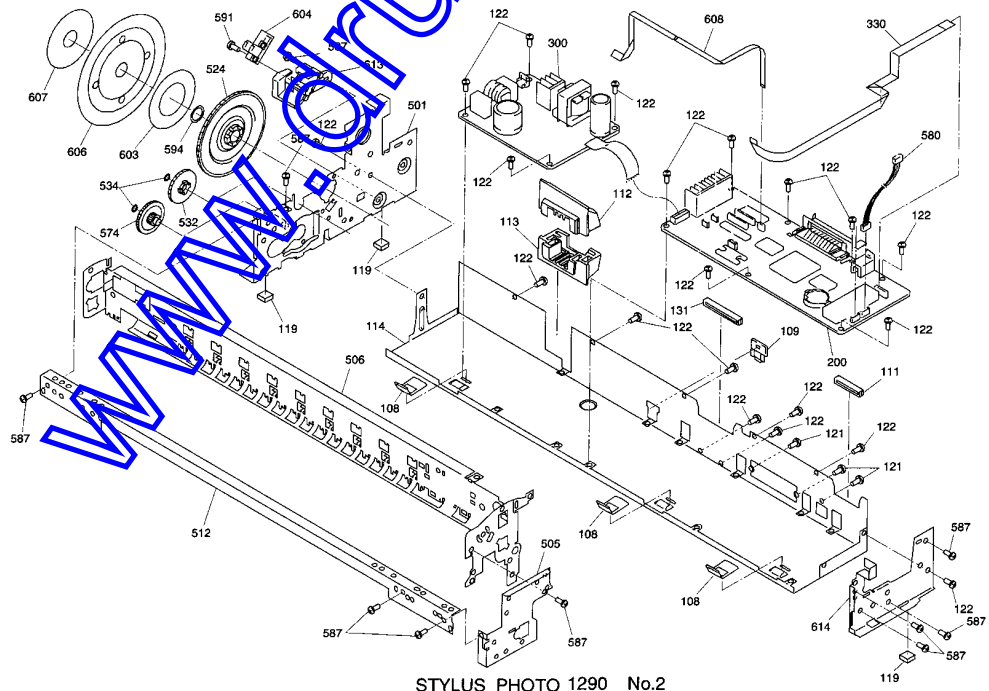
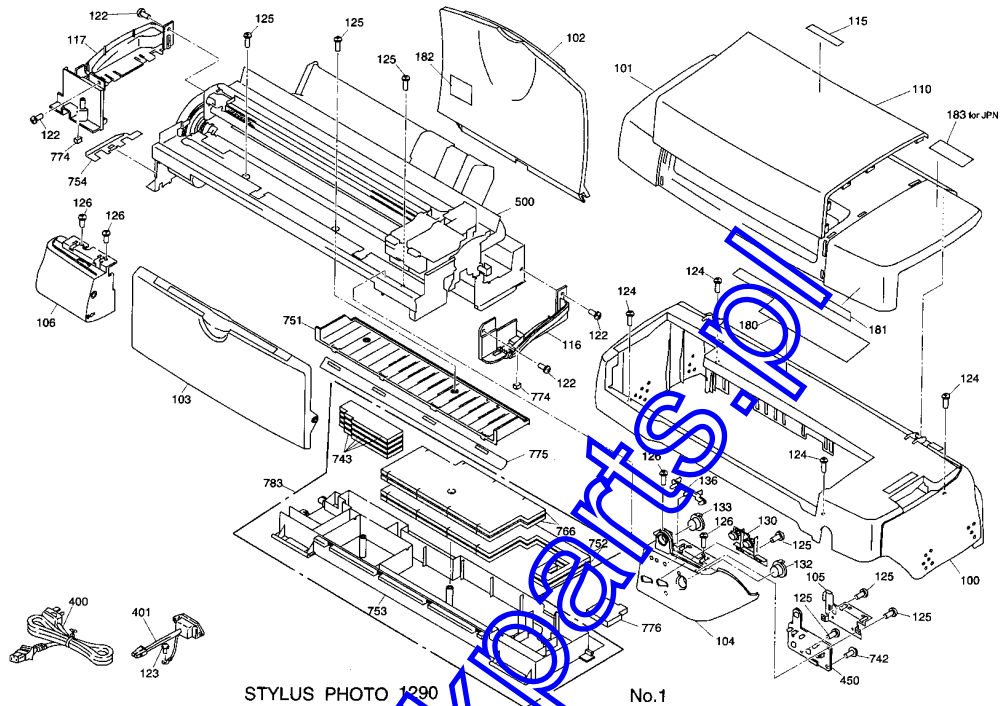
Page 4

| REF | PART NO | DESCRIPTION | SPEC | QTY |
|-----|----------|----------------------------------|-----------------------------|-----|
| 727 | 1030449 | LEVER,PAD,RELEASE,LEFT | | 1 |
| 728 | 1040602 | HOLDER,EDGE GUIDE,LEFT | | 1 |
| 729 | 1040594 | LEVER,PAPER RETURN,LEFT | | 1 |
| 730 | 1040647 | HOLDER,ROLLER,LD,SUPPORT,LEFT | | 1 |
| 731 | 1043034 | ROLLER ASSY,LD,LEFT | | 1 |
| 732 | 1043035 | ROLLER ASSY,LD,RIGHT | | 1 |
| 733 | 1040597 | COVER,ROLLER,LD,LEFT | | 1 |
| 734 | 1040598 | COVER,ROLLER,LD,RIGHT | | 1 |
| 735 | 1036868 | COMPRESSION SPRING,1.961 | | 2 |
| 736 | 1038211 | LEVER,FASTEN,EDGE GUIDE;B | | 2 |
| 737 | 1030959 | EXTENSION SPRING,0.088 | | 2 |
| 738 | 1049382 | SHAFT,ROLLER,LD | | 1 |
| 739 | 1042306 | LEVER,HOPPER,RELEASE | | 2 |
| 740 | 1036870 | WHEEL,DETECT | | 1 |
| 741 | 1036863 | STRENGTHEN PLATE,FRAME,ASF | | 1 |
| 742 | 1035668 | C.C.P-TITE SCREW,3X8,F/ZN | | 1 |
| 743 | 1048802 | POROUS PAD,FL | | 4 |
| 745 | 1040599 | SHEET,PAPER FEED | | 2 |
| 746 | 1040600 | HOLDER,SHEET,PAPER FEED | | 2 |
| 747 | 1005416 | SHAFT,MOUNT,CR | | 1 |
| 748 | 1032300 | C.B.S-TITE(P4),3X6,F/ZN | | 1 |
| 749 | 2025477 | HARNES,ASF | | 1 |
| 750 | 1036847 | PAPER SUPPORT,HOPPER | | 1 |
| 751 | 1049389 | PAPER GUIDE,LOWER | | 1 |
| 752 | 1048800 | POROUS PAD,LARGE | | 2 |
| 753 | 1049374 | TRAY,POROUS PAD | | 1 |
| 754 | 1048883 | SPACER,TRAY | | 1 |
| 758 | 1036849 | EXTENSION SPRING,0.29 | | 1 |
| 759 | 1059812 | COVER,CARTRIDGE,BLACK;B | | 1 |
| 760 | 1059813 | COVER,CARTRIDGE,COLOUR;B | | 1 |
| 761 | 1059196 | PLATE SPRING COVER,CARTRIDGE | | 4 |
| 762 | 1050338 | COVER,PLATE SPRING,CARTRIDGE | NO LONGER SUPPLIED | 4 |
| 763 | 2032842 | DETECTOR,HP;E | 1.50MA,100MW | 1 |
| 764 | 1043828 | CORK;B | | 1 |
| 765 | 1050580 | CLEANER HEAD,ASP | | 1 |
| 766 | 1048801 | POROUS PAD,SMALL | | 2 |
| 769 | 1050385 | BIND B-TITE SEMS W2,2.5X6,F/ZN | | 1 |
| 774 | 1053563 | DAMPER,SUPPORT;B | | 2 |
| 775 | 1052324 | SEAT,PAPER EJECT | | 1 |
| 776 | 1059471 | POROUS PAD,INK EJECT,PUMP;S | | 1 |
| 780 | 1059805 | ASF ASSY.;D | | 1 |
| 781 | 1040667 | PAPER LOADING ASSY, LEFT | | 1 |
| 782 | 1040657 | PAPER LOADING ASSY, RIGHT | | 1 |
| 783 | 1052127 | TRAY ASSEMBLY,POROUS PAD | | 1 |
| 800 | 1059609 | MOUNTING PLATE,ROLL PAPER,HOLDER | | 1 |
| 801 | 1058169 | FRAME,ROLL PAPER,LEFT | | 1 |
| 802 | 1058170 | FRAME,ROLL PAPER,RIGHT | | 1 |
| 803 | 1058171 | PLUG ROLL PAPER | | 2 |
| 804 | NOT USED | | | |
| 805 | 1052356 | SHEET ROLL PAPER | | 1 |
| 806 | 1075149 | LOCKING WASHER | | 2 |
| 807 | 1113868 | ROLL PAPER HOLDER LEFT ASSY | ASSEMBLY REFS 801:803:806 | 1 |
| 808 | 1113869 | ROLL PAPER HOLDER - RIGHT ASSY | ASSEMBLY REFS. 802 :803:806 | 1 |
| N/A | 1051012 | INK CARTRIDGE,BLACK,,AS | | 1 |
| N/A | 1051014 | INK CARTRIDGE,COLOUR,,AS | | 1 |
| END | | | | |
| | | | | |
| | | | | |
| | | | | |
| | | | | |

NOTE: REFER TO "TECHEXCHANGE" FOR INFORMATION ABOUT ORDERING IC'S.

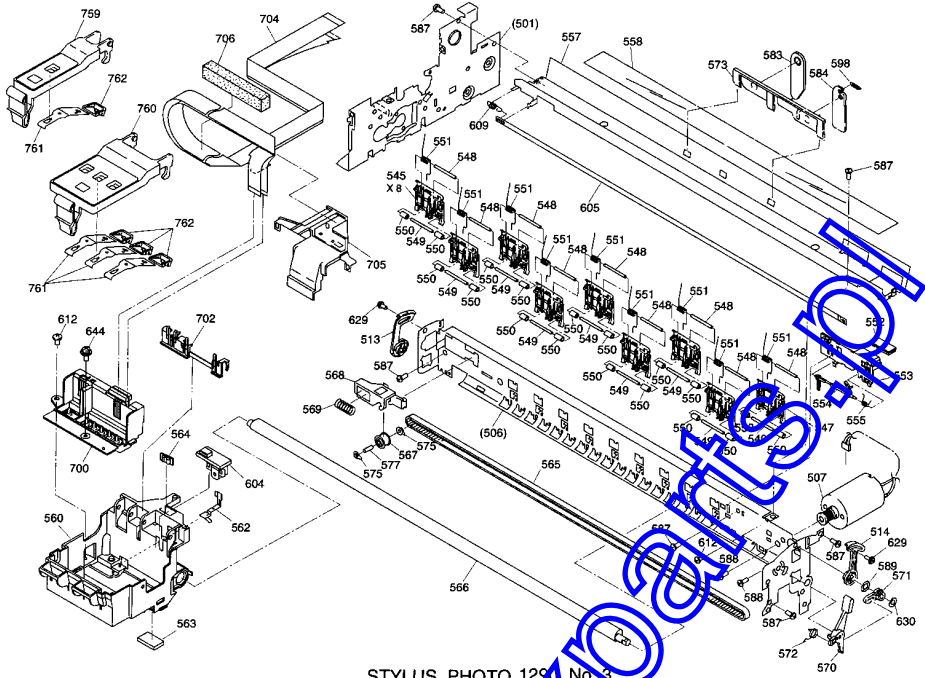
EPSON STYLUS PHOTO 1290

Page 5

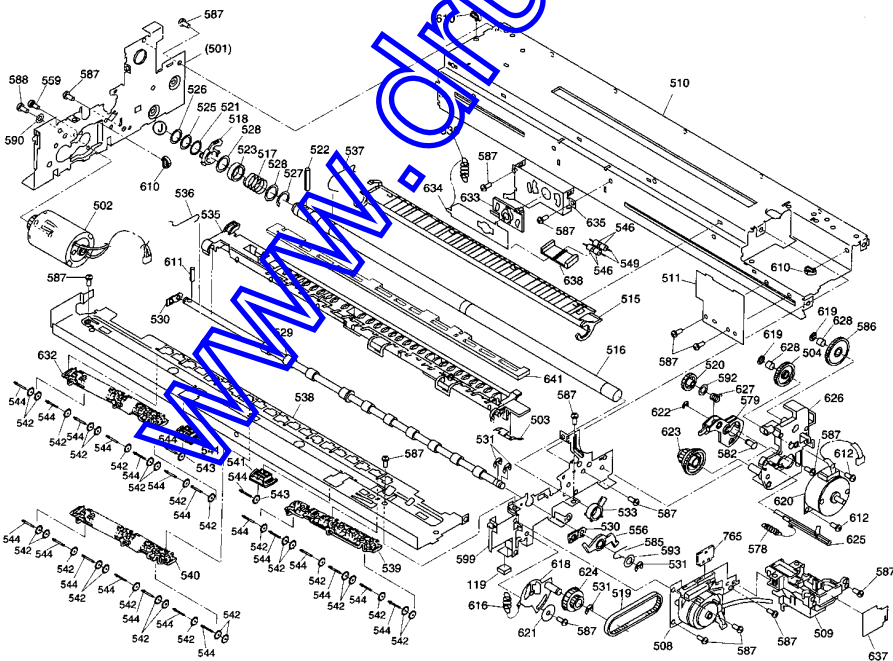


EPSON

STYLUS PHOTO 1290



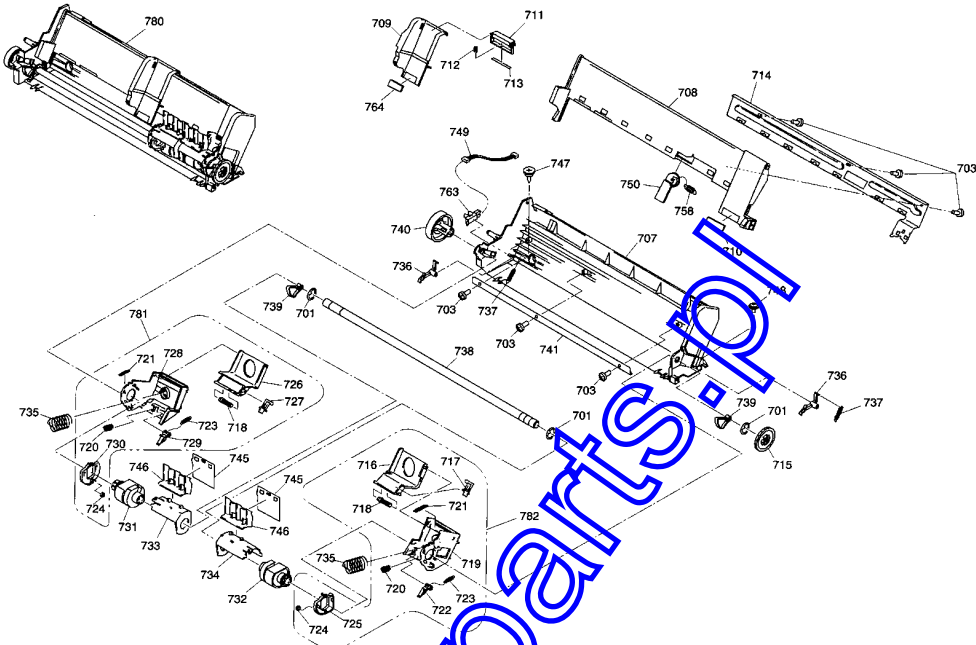
STYLUS PHOTO 1290 No.4



STYLUS PHOTO 1290 No.4

EPSON STYLUS PHOTO 1290

Page 7

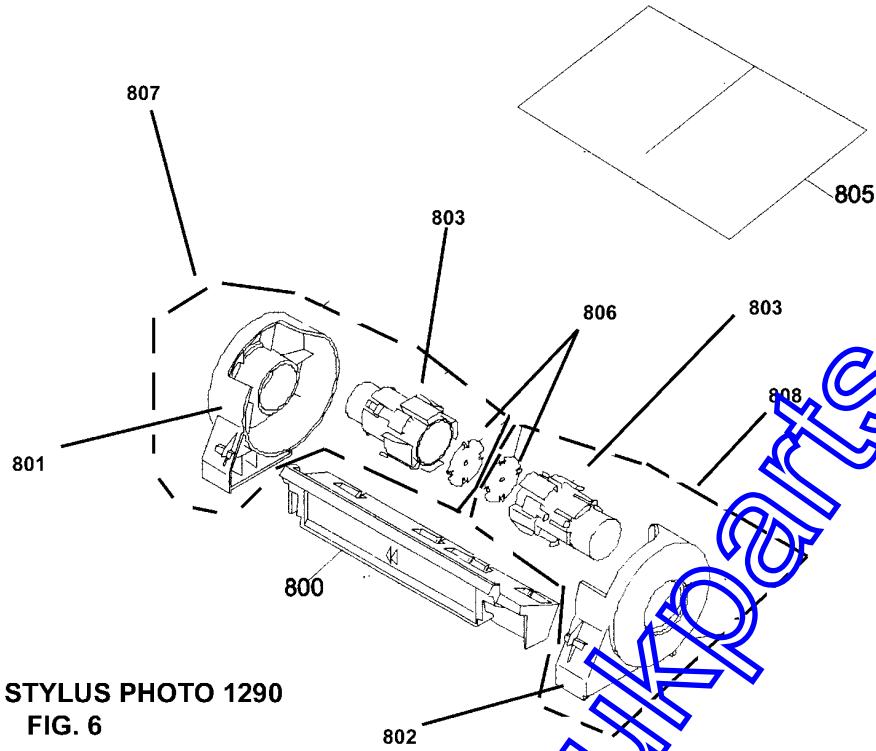


STYLUS PHOTO 1290 No.5

www.druckparts.nl

EPSON STYLUS PHOTO 1290

Page 8



STYLUS PHOTO 1290
FIG. 6

www.drukparts.pl