

EPSON STYLUS PHOTO 1270

(Spares Guide Version 2)
(MAJOR ITEMS IN BOLD TYPE)

Page 1

REF	PART NO	DESCRIPTION	SPEC	QTY
100	1049402	HOUSING		1
101	1050099	COVER		1
102	1043087	PAPER SUPPORT,ASSY		1
103	1049421	STACKER,ASSY.		1
104	1049422	PANEL,ASSY.		1
105	1049418	SHIELD PLATE,PANEL		1
106	1050060	PANEL ASSY.,LEFT		1
108	1030669	GROUNDING PLATE		3
109	1030609	COVER,SHIELD PLATE,M/B,RIGHT		1
110	1050100	LID		
111	1030608	COVER,CABLE		1
112	1037313	COVER,INLET,UPPER;B		1
113	1037314	COVER,INLET,LOWER;B		1
114	1049420	SHIELD PLATE,M/B		1
115	1051170	LOGO PLATE;B		1
116	1049404	HOUSING,SUPPORT,RIGHT		1
117	1049405	HOUSING,SUPPORT,LEFT		1
119	1047689	FOOT		4
121	B010103311	C.P.SCREW	M3X6	3
122	B300204211	C.B.S. SCREW	M2X6	24
123	1032538	C.B.(O) SCREW,4X5,F/ZG		1
124	B300204411	C.B.S. SCREW	M3X10	4
125	1005019	C.B.P-TITE SCREW,3X8,F/ZN	M3X8 F/ZN	7
126	B300204311	C.B.S. SCREW	M3X8	4
131	1040616	COVER,CABLE;B		1
132	1049415	BUTTON,PS		1
133	1050113	BUTTON,CSIC		1
134	1052100	TUBE,LENS		1
180	1051171	LABEL,CAUTION;B		1
181	1051176	LABEL,ACCESSORY;F		1
186	1051405	LABEL,PAPER SET;B		1
200	2036919	BOARD ASSY.,MAIN	REFER TO NOTE BELOW	1
300	2032165	BOARD ASSY.,POWER SUPPLY	5575A,STANDARD	1
330	2032537	WIRE HARNESS		1
400	2006741	POWER CABLE,BS31303S,SR-10A	240V	1
401	2018028	HARNESS	220V/230V/240V	1
450	2032535	BOARD ASSY.,PANEL	5591A,STANDARD(C296/C304)	1
500	2033450	PRINTER MECHANISM (ASSEMBLY) 4S60-100		1
501	1049399	FRAME ASSY.,LEFT		1
502	2033349	MOTOR ASSY.,PF	15.9W,DC	1
503	1049386	GROUNDING PLATE,P6 GUIDE,FRONT		1
504	1048835	COMBINATION GEAR,12,22.4		1
505	1049372	FRAME,RIGHT,FRONT		1
506	1049365	FRAME,REAR		1
507	2033350	MOTOR ASSY.,CR	14.7W,DC	1
508	1048750	PUMP ASSY.		1
509	1048712	CAP ASSY.		1
510	1049368	FRAME,POWER		1
511	1050768	SHEET,PROTECTION,INK		1
512	1049367	FRAME,FRONT		1
513	1030392	BUSHING,PARALLELISM ADJ.,LEFT		1
514	1030393	BUSHING,PARALLELISM ADJ.,RIGHT		1
515	1042304	PAPER GUIDE,REAR		1
516	1049385	ROLLER,PF		1
517	1037092	COMPRESSION SPRING,5.86		1
518	1037093	BUSHING,12,LEFT		1
519	1048804	TENSION BELT,PUMP TRANSMISSION		1
520	1048834	SPUR GEAR,15.2		1
521	1030975	SPACER,C-RING		1
522	1032301	SCALLOP SPRING PIN-AW,2X16,F/B		1
523	1038157	SLEEVE,ROLLER,PF		1
524	1048928	SPUR GEAR,76		1
525	1037094	SPACER,FASTEN,ROLLER,PF		1
526	1037095	SPACER,FASTEN,ROLLER,PF;B		1
527	1031164	C-RING		1
528	1038159	PLAIN WASHER,12.2X0.5X17		2

EPSON

STYLUS PHOTO 1270

Page 2

REF	PART NO	DESCRIPTION	SPEC	QTY
529	1049401	ROLLER ASSY.,EJECT OUT		1
530	1048829	BUSHING,6		2
531	B150300711	RETAINING RING	TYPE-E(4)	4
532	1048929	SPUR GEAR,28		1
533	1030403	BUSHING,12,RIGHT		1
534	1030971	PLAIN WASHER,4.1X0.5X6.5		2
535	1049400	PAPER GUIDE ASSY.,FRONT		1
536	1042582	GROUNDING WIRE,EJ		1
537	1048885	GROUNDING SPRING,PF		1
538	1049369	FRAME,PAPER EJECT		1
539	1042338	HOLDER,STAR WHEEL,RIGHT		1
540	1042339	HOLDER,STAR WHEEL,LEFT		1
541	1032723	HOLDER,STAR WHEEL,FRONT		2
542	1045223	STAR WHEEL ASSY.,8;E		30
543	1033652	STAR WHEEL,8;B		2
544	1032244	ROD SPRING,STAR WHEEL		22
545	1030408	PAPER GUIDE,UPPER		8
546	1051145	ROLLER,DRIVEN		4
547	1032646	PAPER GUIDE,RIGHT		1
548	1030968	SHAFT,PAPER GUIDE,UPPER		9
549	1030969	SHAFT,ROLLER,DRIVEN		11
550	1038961	ROLLER,DRIVEN;D		18
551	1030956	TORSION SPRING,117.6		9
552	2022329	CIRCUIT ASSY,PE		1
553	1049391	HOLDER,PE		1
554	1049390	LEVER,PE		1
555	1030958	TORSION SPRING,0.22		1
556	1048816	LEVER,CR,LOCK		1
557	1049370	GUIDE PLATE,CR		1
558	1042313	SHEET,CABLE		1
559	1050769	SCREW,MOUNT,PF		1
560	1050306	CARRIAGE ASSY.		1
561	1030380	LEVER,ADJUST		1
562	1042278	GROUNDING PLATE,HEAD		1
563	1049380	OIL PAD		1
564	1030387	SLIDER,CR		1
565	1049378	TIMING BELT		1
566	1049379	SHAFT,CR,GUIDE		1
567	1050345	PULLEY,DRIVEN		1
568	1048810	HOLDER,PULLEY,DRIVEN		1
569	1049695	COMPRESSION SPRING,23.52		1
570	1044480	LEVER,PG		1
571	1030395	LEVER,PG,SUPPORT		1
572	1048889	TORSION SPRING,63.7		1
573	1049384	HOLDER,PAPER SUPPORT		1
574	1048930	COMBINATION GEAR,13,50		1
575	1050346	BUSHING,PULLEY,DRIVEN		2
576	1034669	POROUS PAD,SLIDER,PF		1
577	1050347	SHAFT,PULLEY,DRIVEN		1
578	1048907	EXTENSION SPRING,0.6,CR		1
579	1048833	LEVER,PLATEN		1
580	2022330	HARNES,PE		1
581	1052615	OILPAD,RING		1
582	1048721	SHAFT,SPUR GEAR,PLATEN		1
583	1045593	PAPER SUPPORT,SUPPORT,UPPER,LEFT		1
584	1037724	PAPER SUPPORT,SUPPORT,UPPER		1
585	1048912	U-TYPE SPRING,5.2X0.13X10,S/NA		1
586	1048836	COMBINATION GEAR,14,28		1
587	B300204211	C.B.S. SCREW	M3X6	32
588	B010103311	C.P.SCREW	M3X6	3
589	B101254590	LEAF SPRING	6.2X0.15X11	1
590	1017597	PLAIN WASHER,3.3X0.5X8,F/UC		1
591	1043627	C.B.P-TITE,2.5X5,F/ZN		1
592	1048909	PLAIN WASHER,6.2*0.2*9,L/NA		1
593	1048890	PLAIN WASHER,5.1X0.7X11,S/NA		1
594	1048893	PLAIN WASHER,10.7X0.5X15.5,L/NA		1
598	1036849	EXTENSION SPRING,0.29		1
599	1049373	FRAME,MIDDLE		1

EPSON STYLUS PHOTO 1270

Page 3

REF	PART NO	DESCRIPTION	SPEC	QTY
603	1048913	TAPE,D50		1
604	1048918	BOARD ASSY.,ENCODER		2
605	2032470	SCALE,CR		1
606	1048922	SCALE,PF		1
607	1048898	MOUNTING PLATE,SCALE		1
608	2032471	FFC,ENCODER		1
609	1048888	EXTENSION SPRING,1.494		1
610	1049348	MINI CLAMP,UAMS-05SN		3
611	1048957	SCALLOP SPRING PIN-AW,2X10,F/B		1
612	1005019	C.B.P-TITE SCREW,3X8,F/ZN	M3X8 F/ZN	3
613	1048822	MOUNTING PLATE,BOARD ASSY.		1
614	1048875	FRAME,RIGHT,REAR		1
615	1049546	PLATE,SLIDER,CLEANER		1
616	1048908	EXTENSION SPRING,7.37		1
618	1048910	LEVER ASSEMBLY,COMBINATION GEAR		1
619	1050767	SET RING,D8.8		2
620	2032192	MOTOR ASSY,ASF		1
621	B100165911	P.W.,3.1X0.5X12,F/ZN		1
622	B150300611	RETAINING RING	TYPE-E(3)	1
623	1048839	COMBINATION GEAR,17.19,25.6		1
624	1048840	COMBINATION GEAR,12,22,92		1
625	1048842	LEVER,DE,LOCK		1
626	1048832	MOUNTING PLATE,MOTOR,ASF		1
627	1048906	COMPRESSION SPRIN,3.944		1
628	1050765	FERRULE,D3.6		2
629	1032300	C.P.S-TITE(P4),3X6,F/ZN		2
630	1038484	PLAIN WASHER,4.5X0.5X8,L/NA		1
632	1042305	HOLDER,STAR WHEEL,SUPPORT		1
633	1049392	BUSH,ROLLER PF,SUPPORT		1
634	1049393	LEVER,ROLLER PF,SUPPORT		1
635	1049394	MOUNTNG PLATE		1
636	1049395	EXTENSION SPRING,10.1		1
637	1050505	SHEET,INK STOPPER		1
638	1051412	HOLDER,ROLLER PF,SUPPORT		1
639	1051812	SPACER MOTOR PF		1
640	B150300911	RETAINING RING	TYPE-E(6)	3
641	1051049	POROUS PAD,PAPER GUIDE,FRONT		2
642	1051051	POROUS PAD,PAPER GUIDE,FRONT,RIGHT		1
643	1052407	POROUS PAD,PAPER GUIDE,FRONT,LEFT		1
644	1023043	+ BIND B-TITE SEMI V2,2.5X8,F/ZB		1
700	F075000	PRINT HEAD	COMPOSITE BLACK/COLOUR	1
701	1050333	FASTENER,HEAD		1
703	1024130	C.B.P-TITE SCREW,3X6,F/ZN		8
704	2032840	CABLE,HEAD	SEE ALSO REF 770	1
705	1050331	HOLDER,CABLE		1
706	1046028	SPACER,CABLE HEAD		2
707	1042307	FRAME,ASSY		1
708	1051381	HOPPER		1
709	1040590	EDGE GUIDE		1
710	1040606	CURVE		1
711	1030429	SLIDER,EDGE GUIDE		1
712	1030960	COMPRESSION SPRING,3.23		1
713	1033016	SLIDER,BRAKE,EDGE GUIDE		1
714	1042297	SUPPORT PLATE,HOPPER		1
715	1049381	SPUR GEAR,32		1
716	1040661	PAD ASSY.,RIGHT		1
717	1030450	LEVER,PAD,RELEASE,RIGHT		1
718	1030420	ROD SPRING,HOLDER,PAD		2
719	1040608	HOLDER,EDGE GUIDE,RIGHT		1
720	1036867	COMPRESSION SPRING,1.17		2
721	1036874	EXTENSION SPRING,0.62		2
722	1040595	LEVER,PAPER RETURN,RIGHT		1
723	1040646	EXTENSION SPRING,0.294		2
724	1040596	ROLLER,LD,SUPPORT		2
725	1040648	HOLDER,ROLLER,LD,SUPPORT,RIGHT		1
726	1040660	PAD ASSY.,LEFT		1
727	1030449	LEVER,PAD,RELEASE,LEFT		1
728	1040602	HOLDER,EDGE GUIDE,LEFT		1

EPSON

STYLUS PHOTO 1270

Page 4

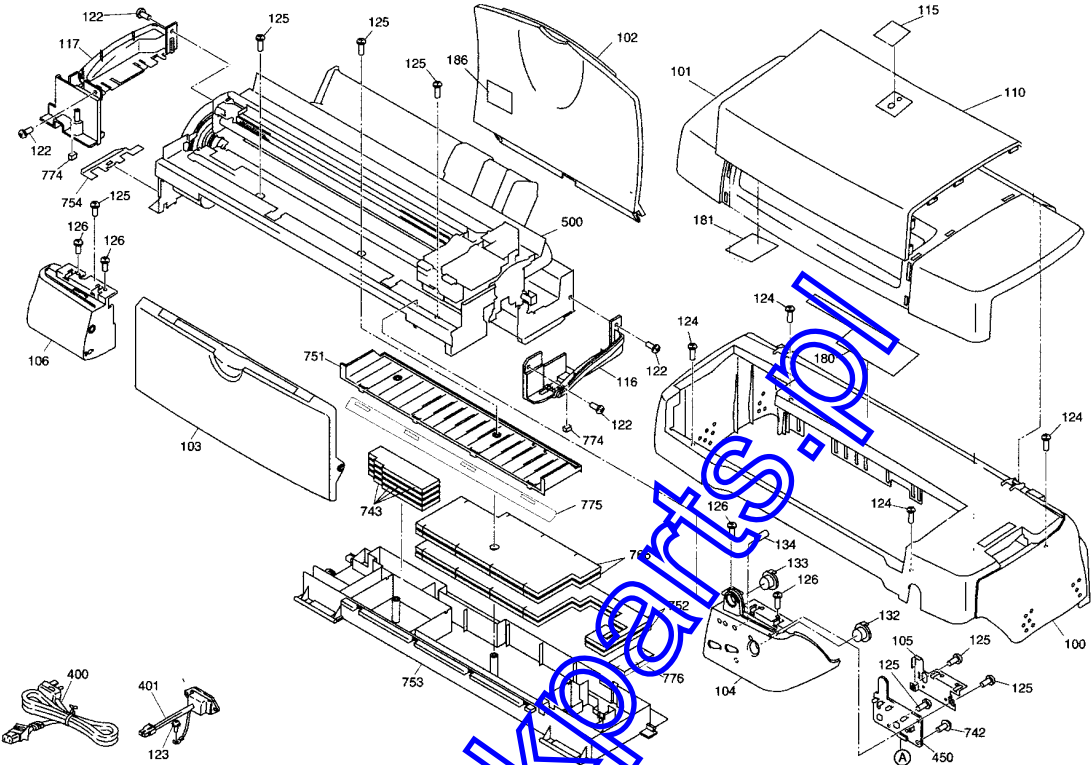
REF	PART NO	DESCRIPTION	SPEC	QTY
729	1040594	LEVER,PAPER RETURN,LEFT		1
730	1040647	HOLDER, ROLLER,LD,SUPPORT,LEFT		1
731	1043034	ROLLER ASSY,LD,LEFT		1
732	1043035	ROLLER ASSY,LD,RIGHT		1
733	1040597	COVER,ROLLER,LD,LEFT		1
734	1040598	COVER,ROLLER,LD,RIGHT		1
735	1036868	COMPRESSION SPRING,1.961		2
736	1038211	LEVER,FASTEN,EDGE GUIDE;B		2
737	1030959	EXTENSION SPRING,0.088		2
738	1049382	SHAFT,ROLLER,LD		1
739	1042306	LEVER,HOPPER,RELEASE		2
740	1036870	WHEEL,DETECT		1
741	1036863	STRENGTHEN PLATE,FRAME,ASF		1
742	1035668	C.C.P-TITE SCREW,3X8,F/ZN		1
743	1048802	POROUS PAD,FL		4
744	1051079	TAPE,14X17		1
745	1040599	SHEET,PAPER FEED		2
746	1040600	HOLDER,SHEET,PAPER FEED		2
747	1005416	SHAFT,MOUNT,CR		1
748	1032300	C.P.S-TITE(P4),3X6,F/ZN		1
749	2025477	HARNES,ASF		1
750	1036847	PAPER SUPPORT,HOPPER		1
751	1049389	PAPER GUIDE,LOWER		1
752	1048800	POROUS PAD,LARGE		2
753	1049374	TRAY,POROUS PAD		1
754	1048883	SPACER,TRAY		1
755	2033168	FERRITE CORE,FSOC240RX01		1
758	1036849	EXTENSION SPRING,0.29		1
759	1050307	COVER,CARTRIDGE,BLACKK		1
760	1050308	COVER,CARTRIDGE,COLOUR		1
761	1050337	FLAT SPRING COVER,CARTRIDGE		4
762	1050338	COVER,PLATE SPRING,CARTRIDGE		4
763	2032842	DETECTOR,HP;E	4V,50MA,100MW	1
764	1043828	CORK;B		1
765	1050580	CLEANER HEAD,ASP		1
766	1048801	POROUS PAD,SMALL		2
770	2032841	CABLE,HEAD,B	SEE ALSO REF 704	1
771	1045092	HOLDER ASSY.,STAR WHEEL,RIGHT,ASF		1
772	1045093	HOLDER ASSY.,STAR WHEEL,LEFT,ASF		1
773	1049480	HOLDER ASSY,STAR WHEEL,SUPPORT(ASF)		1
774	1052431	DAMPER,SUPPORT		2
775	1052324	SEAT,PAPER EJECT		1
780	1052129	ASF ASSEMBLY		1
N/A	1051012	INK CARTRIDGE,BLACK ,ASF		1
N/A	1051014	INK CARTRIDGE,COLOUR,ASF		1
END				

NOTE: REFER TO "TECHEXCHANGE" FOR INFORMATION ABOUT ORDERING IC'S

www.druckarts.nl

EPSON STYLUS PHOTO 1270

Page 5

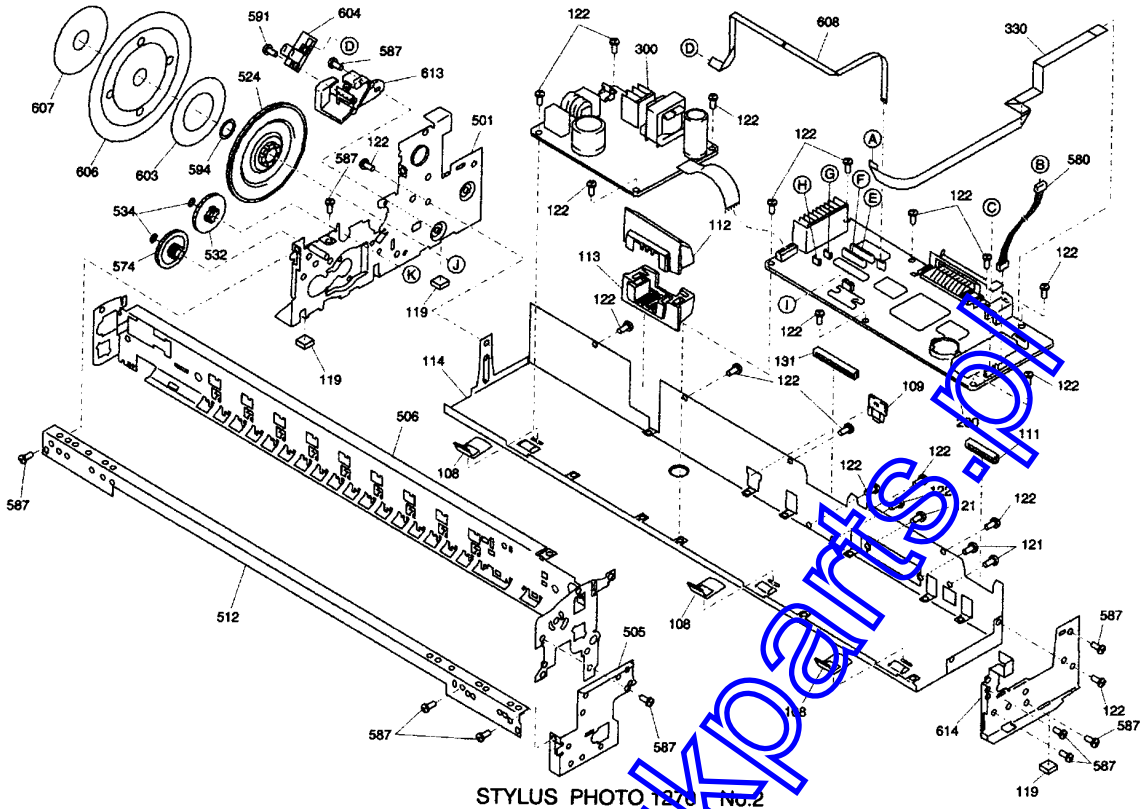


STYLUS PHOTO 1270 No.1

www.druckparts.pl

EPSON STYLUS PHOTO 1270

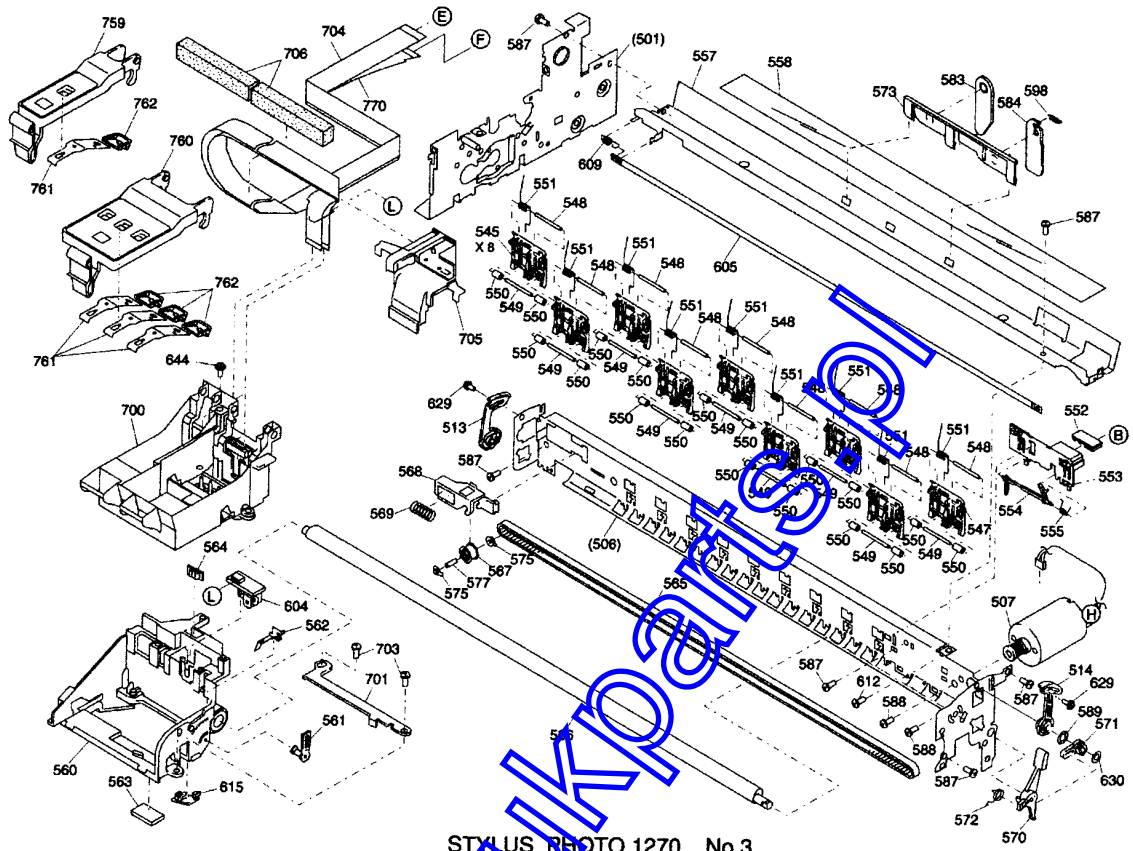
Page 6



www.druckparts.nl

EPSON STYLUS PHOTO 1270

Page 7

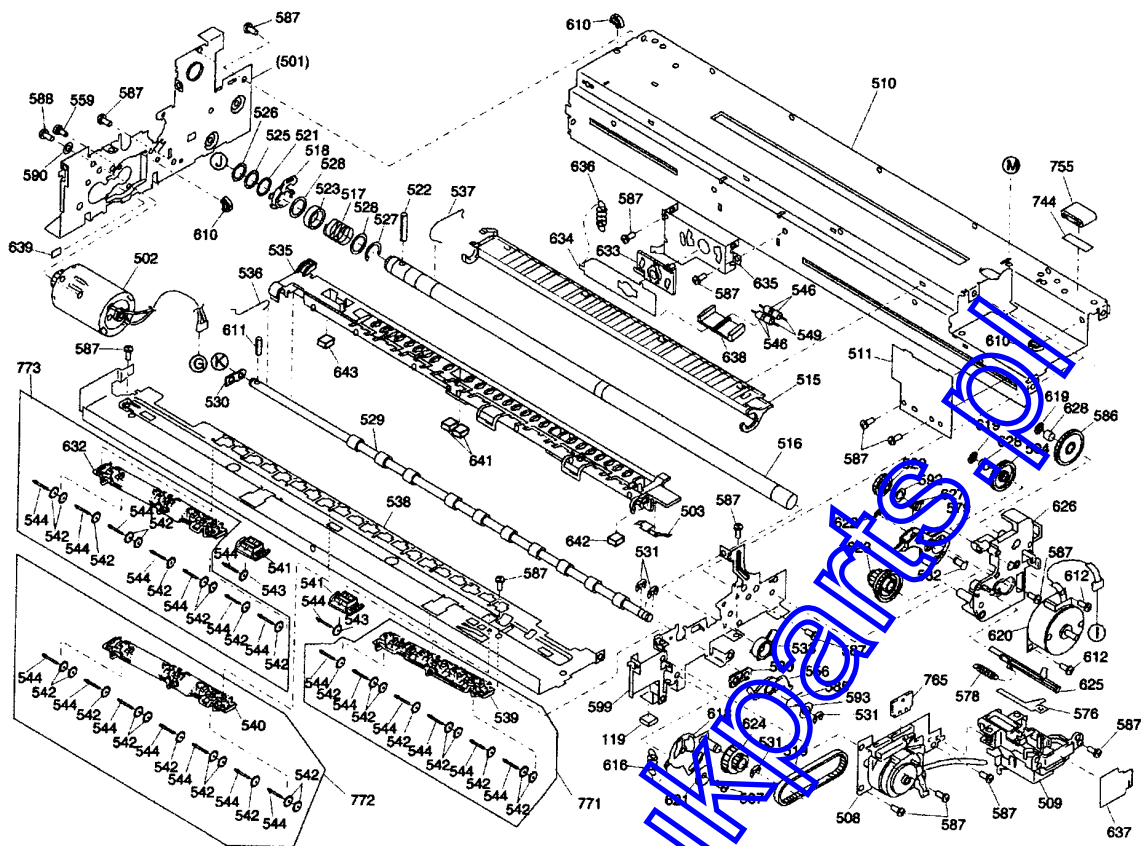


STYLUS PHOTO 1270 No.3

www.druckpatent.de

EPSON STYLUS PHOTO 1270

Page 8

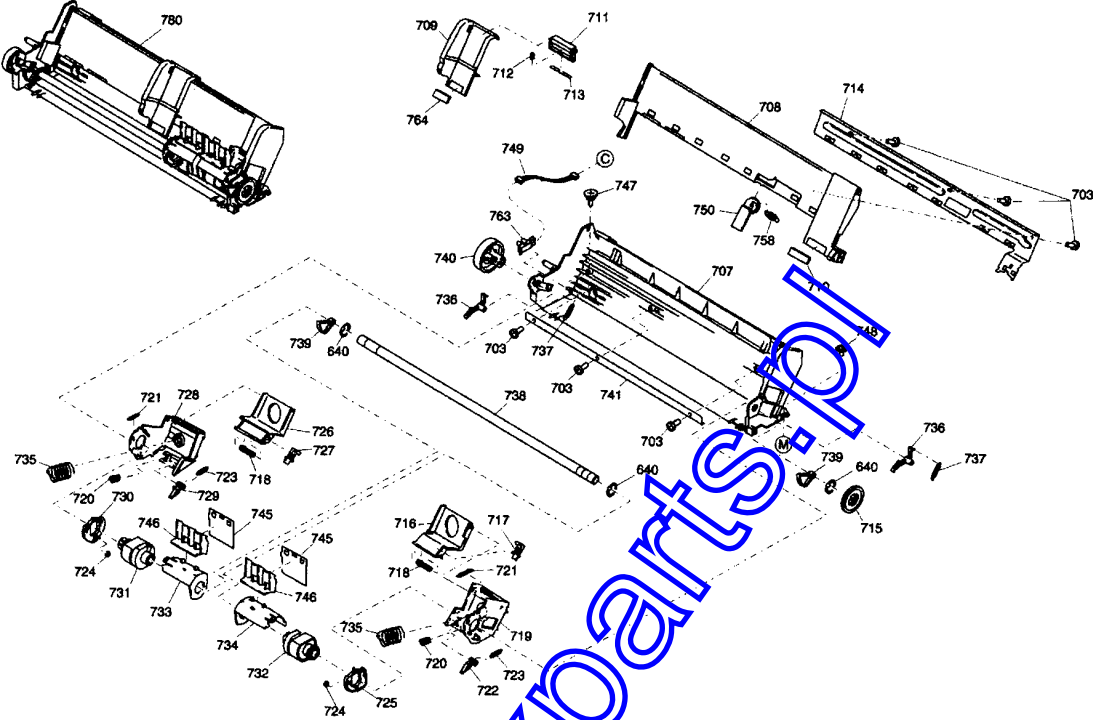


STYLUS PHOTO 1270 No.4

www.druckparts.de

EPSON STYLUS PHOTO 1270

Page 9



STYLUS PHOTO 1270 No.5