

EPSON STYLUS PHOTO 1200

Page 1

REF	PART NO.	DESCRIPTION	SPEC.	QTY
100	1043074	HOUSING		1
101	1033230	FOOT		5
102	1043075	COVER,PRINTER		1
105	1043084	HOUSING,PANEL,,LEFT		1
106	1030669	GROUNDING PLATE		3
107	1043086	STACKER,ASSY		1
108	1043088	PANEL,,ASSY		1
109	1043087	PAPER SUPPORT,ASSY		1
110	1037312	BUTTON,P/S;B		1
111	1037313	COVER,INLET,UPPER;B		1
112	1037314	COVER,INLET,LOWER;B		1
113	1030608	COVER,CABLE		1
115	1045596	LOGO PLATE;B		1
116	1037315	SHIELD PLATE,PANEL		1
117	1030609	COVER,SHIELD PLATE,M/B,RIGHT		5
119	1031165	MINI CLAMP		1
120	1043085	SHIELD PLATE,M/B		1
121	B010103311	C.P.SCREW	M3X6	4
122	B300204311	C.B.S. SCREW	M3X8	4
123	B300204211	C.B.S. SCREW	M2X6	20
124	B300204411	C.B.S. SCREW	M2X6	4
125	1005019	C.B.P-TITE SCREW,3X8,F/ZN	M3X8,F/ZN	2
126	1012350	C.B.P-TITE,3X10,F/ZN		3
127	1042652	COVER,SUPPORT		1
129	1038400	SHEET,PROTECT,PANEL		1
131	1040616	COVER,CABLE;B		1
132	1032538	C.B.(O) SCREW,4X5,F/ZG		1
180	1037833	LABEL,LEVER CARTRIDGE,BLACK		1
181	1037835	LABEL,LEVER CARTRIDGE,COLOR		1
182	1045546	LABEL,CAUTION1;C		1
183	1045554	LABEL,CAUTION2;C		1
184	1045558	LABEL		1
187	1045555	LABEL,CAUTION3		1
200	2030079	BOARD ASSY.,MAIN	5511B,STANDARD(C26)	1
BAT1	2027639	BATTERY HOLDER		1
BAT1	X505000700	LITHIUM BATTERY	CR2032	1
BAT1	Y502002001	SPONGE TAPE		1
300	2027730	BOARD ASSY. POWER SUPPLY		1
330	2029339	HARNESS		1
400	2006741	POWER CABLE,(BSS)3035SA-SR-10A)		1
401	2018028	HARNESS	220V/230V/240V	1
450	2023066	BOARD ASSY.,PANEL		1
500	2031476	PRINTER MECHANISM(ASP),M4N60-101		1
501	1042300	FRAME, TOP		1
502	1042267	FRAME, RIGHT		1
503	1042301	FRAME, FRONT		1
504	1042302	FRAME, BOTTOM		1
505	1043029	FRAME ASSY, LEFT		1
506	1042271	CARRIAGE		1
507	1030388	LEVER, ADJUST		1
508	1042278	GROUNDING PLATE, HEAD		1
509	1042288	OIL, PAD		1
510	1030387	SLIDER, CR		1
511	1041207	HOLDER, PULLEY, DRIVEN; B		1
512	1038124	SHEET, PROTECTION, HEAD		1
513	1030969	SHAFT, ROLLER, DRIVEN		9
514	1038961	ROLLER, DRIVEN; D		18
515	F066000	PRINT HEAD, IJ288-0B0	288	1
516	1031313	PULLEY ASSY., DRIVEN		1
517	1042303	TIMING BELT		1
518	1030408	PAPER GUIDE, UPPER		8
520	1042304	PAPER GUIDE, REAR		1
521	1043031	PAPER GUIDE ASSY, FRONT		1
522	1032646	PAPER GUIDE, RIGHT		1
523	1030968	SHAFT, PAPER GUIDE, UPPER		9
524	1044879	STAR WHEEL ASSY, 8; D		30
525	1042338	HOLDER, STAR WHEEL, RIGHT		1
526	1042305	HOLDER, STAR WHEEL, SUPPORT		1
527	1032244	ROD SPRING, STAR WHEEL		22

EPSON

STYLUS PHOTO 1200

Page 2

REF	PART NO.	DESCRIPTION	SPEC.	QTY
528	1042270	FRAME,EJ		1
529	1045852	ROLLER ASSY.,EJECT		1
530	1042280	ROLLER,PF		1
532	2022329	CIRCUIT ASSY,PE		1
533	2028815	HARNES,PE		1
534	1036877	LEVER,PE		1
535	1036878	HOLDER,PE		1
536	2021854	DETECTOR,HP	4V,50MA,100MW,	1
537	2028816	HARNES,HP		1
538	2028612	MOTOR ASSEMBLY		1
539	2030078	MOTOR,ASSY,CR		1
540	1042279	GUIDE SHAFT,CR		1
541	1043030	PUMP ASSY		1
542	1044904	CAP ASSY.;B		1
543	1034969	CLEANER,HEAD,ASP		1
544	1043033	GUIDE PLATE ASSY,CABLE		1
545	1030392	BUSHING,PARALLELISM ADJUST,LEFT		1
546	1030393	BUSHING,PARALLELISM ADJUST,RIGHT		1
547	1044480	LEVER,PG		1
548	1030395	LEVER,PG,SUPPORT		1
549	1037093	BUSHING,12,LEFT		1
550	1030422	BUSHING,6		2
551	1030454	LEVER,CHANGE		1
553	1040576	SPUR GEAR,11		1
554	1039368	SPUR GEAR,23.2		1
555	1040582	SPURGEAR,73.6		1
556	1042516	SPUR GEAR,36		1
557	1030452	SPUR GEAR,26.4		1
558	1030453	COMBINATIONGEAR,16,40.8		1
559	1040581	COMBINATION GEAR,16,21.6		1
560	1040587	CONBINATION GEAR,12.4,28		1
561	1030955	COMPRESSION SPRING,19.6		1
562	1037092	COMPRESSION SPRING,5.86		1
563	1030965	COMPRESSION SPRING,0.9		1
564	1030956	TORSION SPRING,117.6		9
565	1030958	TORSION SPRING,0.22		1
566	1032240	TORSION SPRING,63.7		1
567	1038159	PLAIN WASHER,12.2X0.5X1.7		2
568	1030971	PLAIN WASHER,4.1X0.5X0.6		2
569	1030975	SPACER,C-RING		2
570	B101254590	LEAF SPRING	6.2X0.15X11	1
571	B150300711	RETAINING RING	TYPE-E(4)	4
572	B300204211	C.B.S. SCREW	M3X6	24
573	1023219	BUSHING NUT,2		1
574	1024505	HEXAGON NUT,NORM,AL2,M3		3
575	1031164	C-RING		3
576	1032300	C.P.S-TITE(P4),3.06,F/ZN		2
577	1032301	SCALLOP SPRING,NIN-AW,2X16,F/B		1
578	1032723	HOLDER,STAR WHEEL,FRONT		2
579	1033652	STAR WHEEL,SP		2
580	1034669	POP-UP HEAD,SLIDER,CAP		1
581	1040644	BUSHING,FASTEN,COMBINATION GEAR		1
583	1042339	HOLDER,STAR WHEEL,LEFT		1
584	1036849	EXTENSION SPRING,0.29		1
585	1036875	GROUNDING PLATE,PAPERGUIDE,FRONT		1
586	B303404211	C.B.S.(O) SCREW	M3X6	1
587	1037094	SPACER,FASTEN,ROLLER,PF		1
588	1037095	SPACER,FASTEN,ROLLER,PF;B		1
589	1037345	GROUNDING PLATE,ROLLER,PF		1
590	1037724	PAPER SUPPORT,SUPPORT,UPPER		1
591	1038157	SLEEVE,ROLLER,PF		1
592	B100151112	PLAIN WASHER	3X0.3X7	1
593	1042277	LEVER,SUPPORT,I/CDETECT,BK		1
594	1042276	LEBER,I/CDETECT,B/K		1
595	1040640	HOLDER, DETECTOR,I/C		1
596	1042515	PLAIN WASHER,6.1X0.5X9.0		1
597	1040642	LEVER,DETECTOR,I/C,CL		1
598	1038484	PLAIN WASHER,4.5X0.5X8,L/NA		1
600	1042687	TORSION SPRING,1.08		2

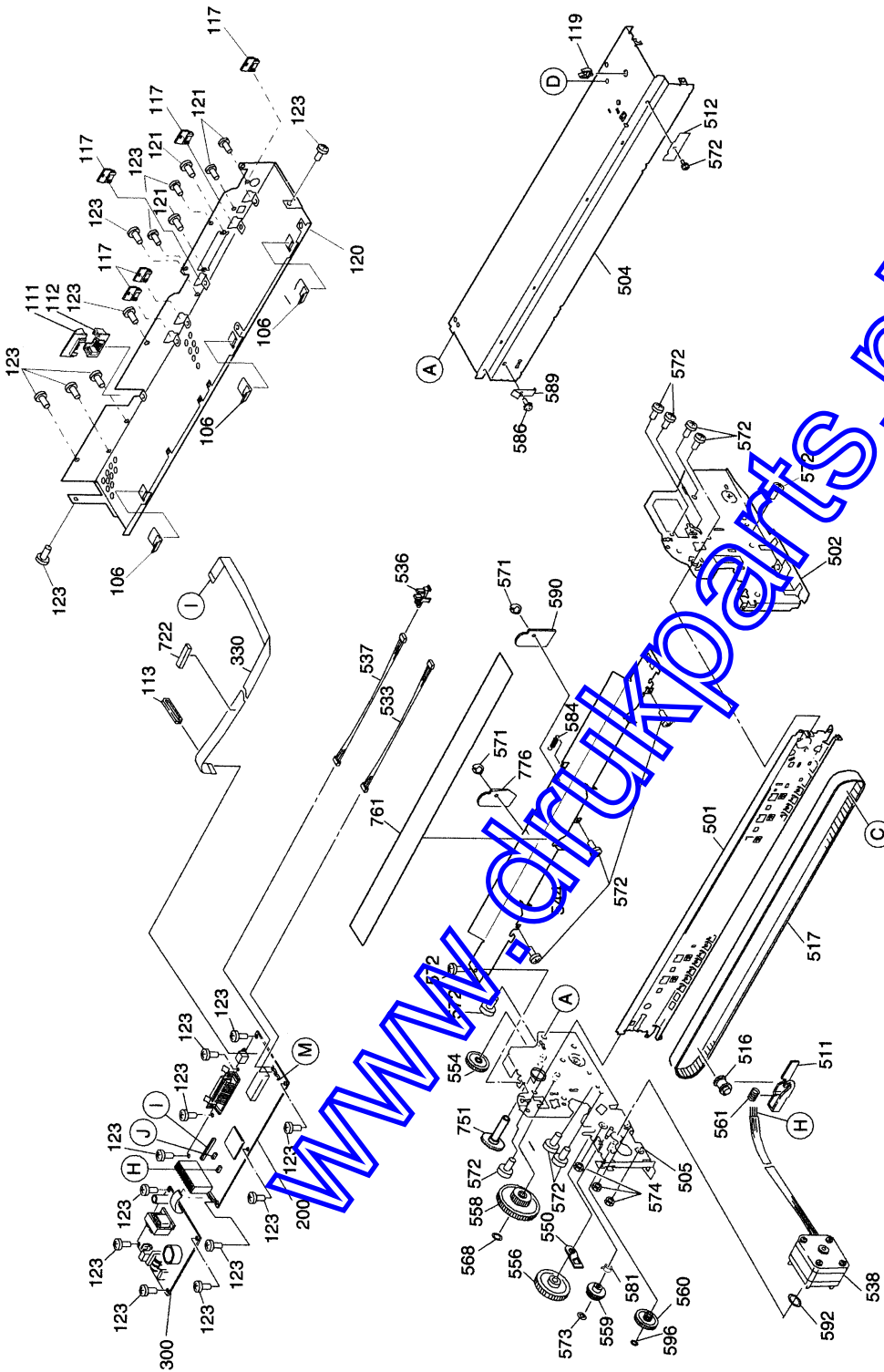
EPSON STYLUS PHOTO 1200

Page 3

REF	PART NO.	DESCRIPTION	SPEC.	QTY
601	2027719	DETECTOR,I/C		1
602	2028287	HARNES, I/C		1
603	1042582	GROUNDING WIRE,EJ		1
700	1040660	PAD ASSY.,LEFT		1
701	1040661	PAD ASSY.,RIGHT		1
702	1040646	EXTENSION SPRING,0.294		1
703	1040602	HOLDER,EDGE GUIDE,LEFT		1
704	1030449	LEVER,PAD,RELEASE,LEFT		1
705	1040594	LEVER,PAPER RETURN,LEFT		1
706	1040646	EXTENSION SPRING,0.294		1
707	1030450	LEVER,PAD,RELEASE,RIGHT		1
708	1040608	HOLDER,EDGE GUIDE,RIGHT		1
709	1030420	ROD SPRING,HOLDER,PAD		2
710	1040595	LEVER,PAPER RETURN,RIGHT		1
711	1040596	ROLLER,LD,SUPPORT		2
712	1040648	HOLDER,ROLLER,LD,SUPPORT,RIGHT		1
713	1036874	EXTENSION SPRING,0.62		2
714	1036867	COMPRESSION SPRING,1.17		2
715	1042294	HOPPER		1
716	1040590	EDGE GUIDE		1
717	1030429	SLIDER,EDGE GUIDE		1
718	1040606	CORK		1
719	1030960	COMPRESSION SPRING,3.23		1
720	2021854	DETECTOR,HP	4V,50MA,100MW,	1
721	2028286	CABLE, HEAD		1
722	1033220	SPACER,CABLE HEAD		1
723	2025477	HARNES,ASF		1
724	1043034	ROLLER ASSY,LD,LEFT		1
725	1043035	ROLLER ASSY,LD,RIGHT		1
726	1030372	POROUS PAD,INK EJECT,LARGE		2
727	1030373	POROUS PAD,INK EJECT,SMALL		2
728	1042360	TRAY,POROUS PAD		1
729	1042273	COVER,CARTRIDGE,BLACK		1
730	1042274	COVER,CARTRIDGE,COLOUR		1
731	1030378	SEPARATOR,CARTRIDGE,BLACK		1
732	1032254	SEPARATOR,CARTRIDGE,COLOUR		1
733	1032255	FASTENER,HEAD		1
734	1040580	HOLDER,CABLE		1
735	1042361	PAPER GUIDE,LOWER		1
736	1042307	FRAME,ASF		1
737	1038211	LEVER,FASTEN,EDGE GUIDE;B		2
738	1040597	COVER,ROLLER,LD,LEFT		1
739	1040598	COVER,ROLLER,LD,RIGHT		1
740	1042298	SPUR GEAR,LD		1
741	1005416	SHAFT,MOUNT,CR		1
742	1042306	LEVER,HOPPER,RELEASE		2
743	1036870	WHEEL,DETECT		1
744	1043828	SPACER,INK;B		1
745	1030951	LEVER,BRAKE		1
746	1030970	PAD,BRAKE		1
747	1040873	SPACER,TRAY		1
749	1040599	SHEET,PAPER FEED		2
750	1040600	HOLDER,SHEET,PAPER FEED		2
751	1042299	SPUR GEAR,27.2		1
752	1030954	TORSION SPRING,49		1
753	1030966	TORSION SPRING,41.2		1
754	1030959	EXTENSION SPRING,0.088		2
755	1036868	COMPRESSION SPRING,1.961		2
756	1024130	C.B.P-TITE SCREW,3X6,F/ZN		7
757	1032300	C.P.S-TITE(P4),3X6,F/ZN		1
758	B300204711	C.B.S. SCREW	M3X16	2
761	1042313	SHEET,CABLE		1
763	1033016	PAD,BRAKE,EDGE GUIDE		1
764	1024892	C.P.B.(O) SCREW,1.7X5,F/ZN		1
765	1036827	POROUS PAD,SUPPORT		4
766	1036828	BUSHING,FASTEN,TRAY		2
767	1036863	STRENGTHEN PLATE,FRAME,ASF		1
768	1042029	BUSHING,HOLDER,DETECTOR,I/C		1
769	1040647	HOLDER,ROLLER,LD,SUPPORT,LEFT		1

EPSON STYLUS PHOTO 1200

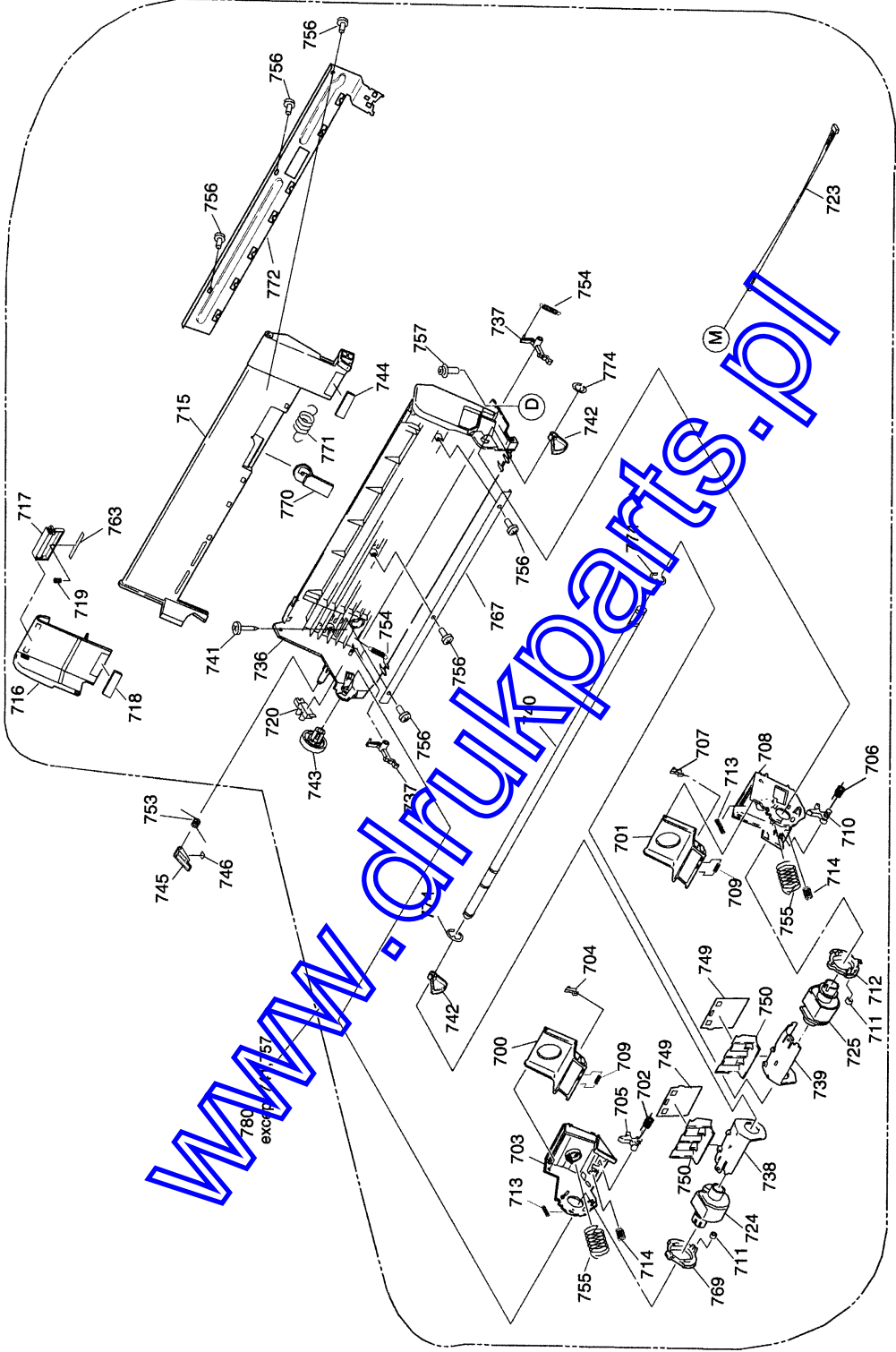
Page 6



STYLUS PHOTO 1200 (2)

www.druckarts.nl

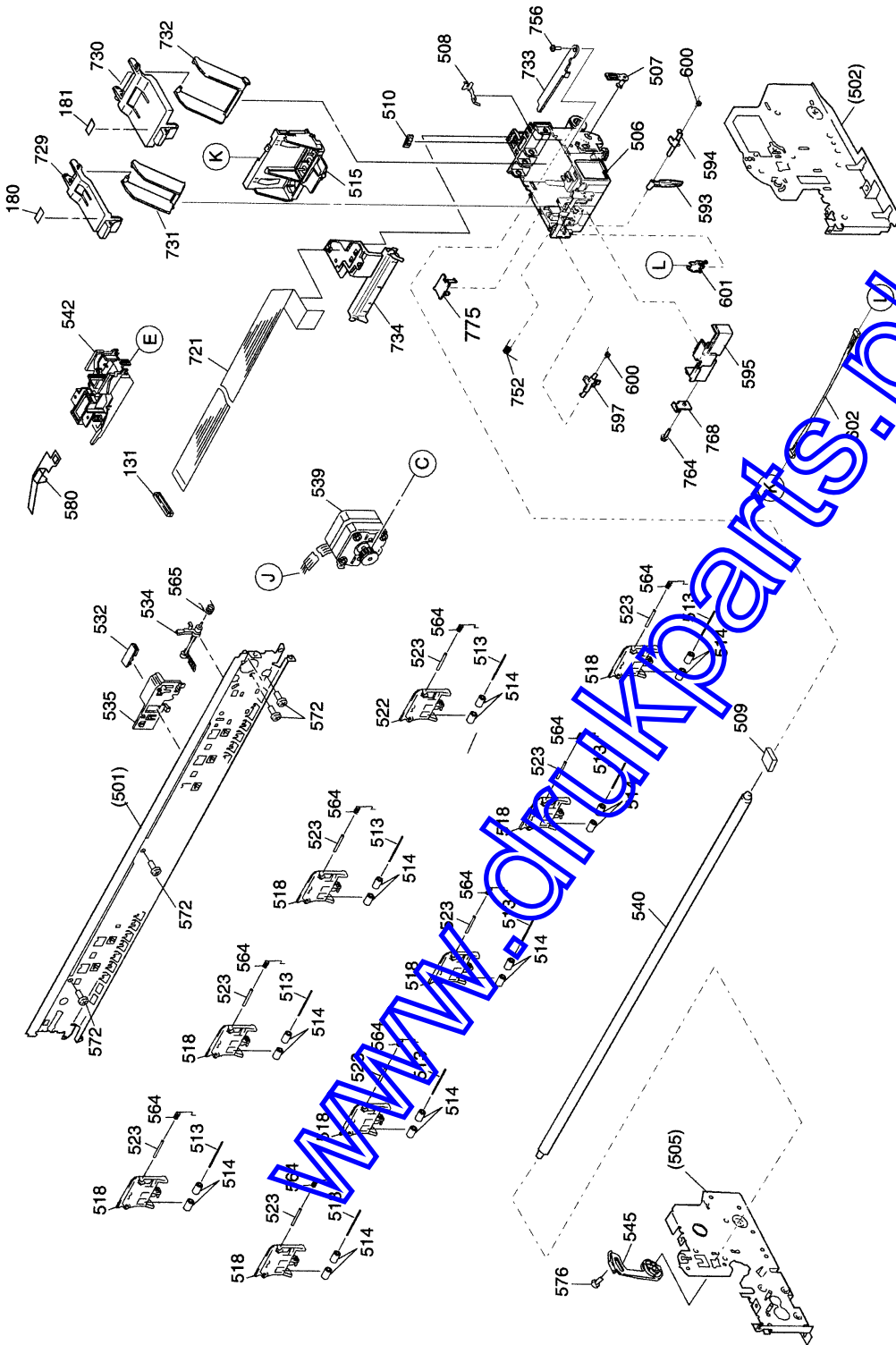
EPSON STYLUS PHOTO 1200



STYLUS PHOTO 1200 (3) REV.02

EPSON STYLUS PHOTO 1200

Page 8



STYLUS PHOTO 1200 (4)

REV. 01

