

EPSON STYLUS COLOR 980

Page 1

REF	PART NO	DESCRIPTION	SPEC	Q
100	1042792	HOUSING,UPPER		
101	1053759	HOUSING,LOWER;B		
102	1056463	COVER,PRINTER		
103	1040615	PAPER SUPPORT;B		
104	1048529	HOUSING,REAR ASSY.		
105	1037223	COVER,CONNECTOR,UPPER	ECW	
106	1048703	STACKER ASSY.;C		
107	1056465	HOUSING,PANEL,RIGHT		
108	1042796	KEY TOP		
109	1042797	OPTICAL PLATE		
110	1046456	SLEEVE,OPTICAL PLATE		
111	1044083	SHEET,PROTECT,PANEL		
112	1042802	HOUSING,PANEL,LEFT		
113	1043161	POROUS PAD,INK EJECT,L		
114	1043162	POROUS PAD,INK EJECT,R		
115	1058403	LOGO PLATE 10X40;C		
116	1043163	COVER,POROUS PAD,INK EJECT		
117	1045772	SPACER,POROUS PAD,INK EJECT		
118	1047689	FOOT		
119	1040649	LOCK,STACKER		
120	1040650	COMPRESSION SPRING,2.94		
121	1042804	SHIELD PLATE,MAIN,UPPER,RIGHT		
122	1042807	SHIELD PLATE,MAIN,UPPER,LEFT		
123	1011863	GROUNDING PLATE,I/F,UPPER		
124	1005382	GROUNDING PLATE,I/F		
125	1006374	GUIDE,I/F BOARD		
126	1043295	SHIELD PLATE,MAIN,UPPER,I/F		
129	1053859	SHIELD PLATE,P/S,LOWER		
130	1042806	SHIELD PLATE,P/S,UPPER		
131	1042810	GROUNDING PLATE,P/S		
132	1044082	SHIELD PLATE,P/S,UPPER,RIGHT		
133	1045773	SPACER,SHIELD PLATE		
134	1045701	FOOT,P/S		
135	1042808	MOUNTING PLATE,FAN		
136	1042811	GUIDE,FRAME,FAN		
137	1045665	SHIELD PLATE,I/F		
138	1042803	SHIELD PLATE,MAIN,LOWER		
139	1042991	GROUNDING PLATE,M/E		
140	1042812	GUIDE,SHIELD PLATE		
142	1002902	CLAMP		
145	B010103311	C.P.SCREW	M3X6	
146	B300204211	C.B.S. SCREW	M3X6	
147	B300204311	C.B.S. SCREW	M3X8	
148	1002654	C.B.S-TITE SCREW	M3X30	
149	1002674	C.B.S-TITE SCREW	M3X12	
150	1005019	C.B.S-TITE SCREW,3X8,F/ZN	M3X8 F/ZN	
151	1012350	C.B.P.SITE,3X10,F/ZN		
152	1020333	C.B.S-TITE,4X14,F/ZN		
154	1024130	C.B.S-TITE SCREW,3X6,F/ZN		
155	1032985	C.B.S-TITE SCREW,4X12,F/ZN		
156	B045800115	C.B.(O) SCREW 4X8 F/ZG	M4X8 F/ZG	
157	1048159	SLEEVE 2.5MM ASP		
158	1052440	GROUNDING PLATE,CN		
180	1059650	LABEL,CAUTION		
181	1059652	LABEL,ACCESSORY;B		
200	2035981	BOARD ASSY.,MAIN	5556D,NLSP(C380)	
300	2032126	BOARD ASSY.,POWER SUPPLY	5527A,STANDARD	
330	2029505	WIRE HARNESS		
331	2031156	WIRE HARNESS		
332	2031157	WIRE HARNESS		
333	2029511	WIRE HARNESS		
334	2029512	WIRE HARNESS		
335	2029121	FAN ASSY.		
400	2006741	POWER CABLE,BS31303SA-SR-10A	240V	
401	2030458	WIRE HARNESS		
450	2029322	BOARD ASSY.,PANEL	5528A:STANDARD	
500	2036567	PRINTER MECH.(ASP)M4P11-100		
501	1043405	FRAME,UPPER		
502	1043407	FRAME,LOWER		

EPSON

STYLUS COLOR 980

Page 2

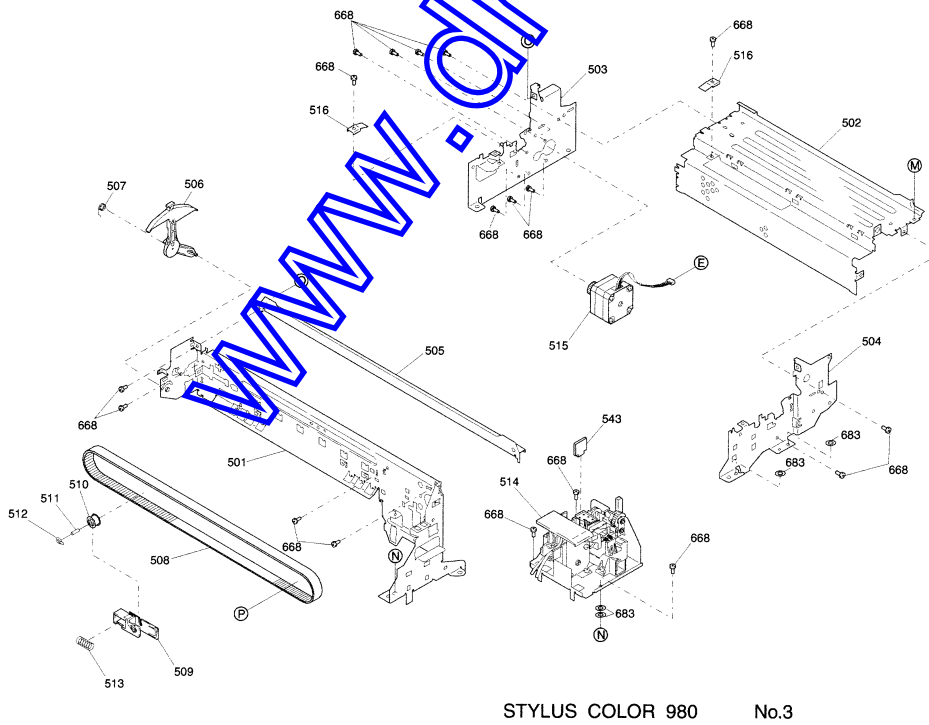
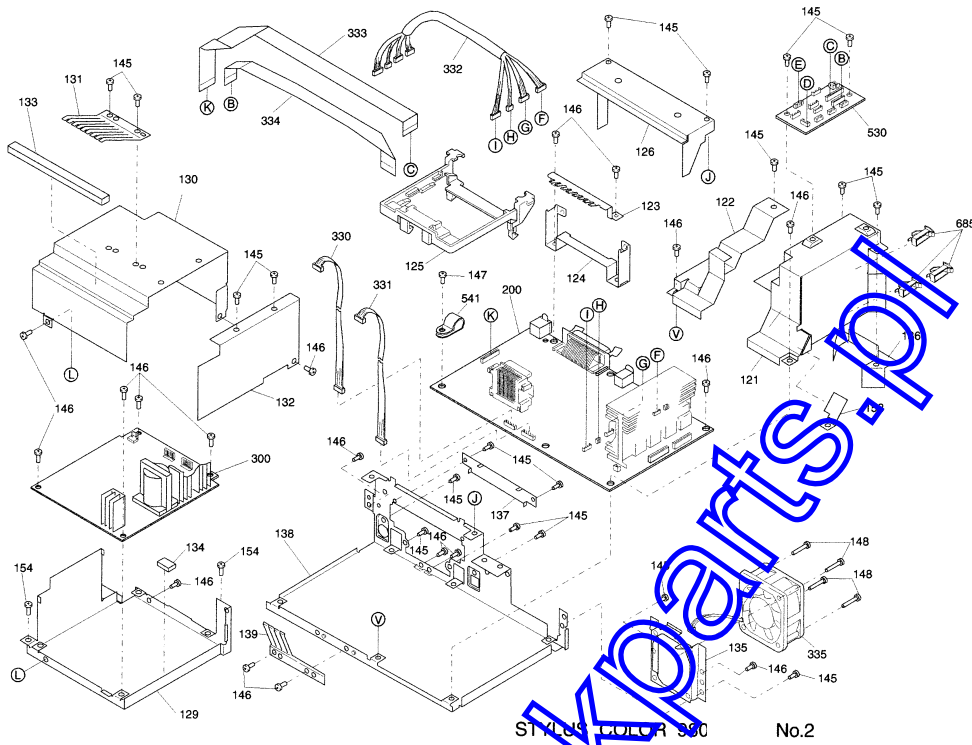
REF	PART NO	DESCRIPTION	SPEC	QTY
503	1043351	FRAME ASSY.,LEFT		1
504	1043406	FRAME,RIGHT		1
505	1043409	FRAME,GUIDE,CR		1
506	1056653	LEVER,PG;B		1
507	1045740	TORSION SPRING,64.7		1
508	1043423	TIMING BELT		1
509	1043360	HOLDER,PULLEY,DRIVEN		1
510	1043361	PULLEY,DRIVEN		1
511	1043414	SHAFT,PULLEY,DRIVEN		1
512	1030398	BUSHING,PULLEY,DRIVEN		1
513	1043415	COMPRESSION SPRING,48		1
514	1048039	INK SYSTEM ASSY.,B		1
515	2029015	MOTOR ASSY.,PF		1
516	1043410	GROUNDING PLATE,FRAME,LOWER		2
517	1043422	LINEAR SCALE		1
518	1032646	PAPER GUIDE,RIGHT		1
519	1030408	PAPER GUIDE,UPPER		5
520	1030414	PAPER GUIDE,LEFT		1
521	1030968	SHAFT,PAPER GUIDE,UPPER		6
522	1030956	TORSION SPRING,117.6		6
523	1030969	SHAFT,ROLLER,DRIVEN		6
524	1046454	ROLLER,DRIVEN;E		12
525	1043362	HOLDER,LINEAR SCALE		1
526	1043416	EXTENTION SPRING,2.13		1
527	1043364	BUSHING,PARALLEL,ADJUST,LEFT		1
528	1043363	BUSHING,PARALLEL,ADJUST,RIGHT		1
529	1043368	HOLDER,FFC,RIGHT		1
530	2029108	BOARD ASSY.,SUB		1
531	1037724	PAPER SUPPORT ,UPPER		1
532	1043774	FRAME ASSY.,PAPER SUPPORT		1
533	1036849	EXTENSION SPRING,0.29		1
534	1030837	HOLDER,DETECTOR,PE		1
535	1030838	LEVER,DETECTOR,PE		1
536	1030958	TORSION SPRING,0.22		1
537	2022329	CIRCUIT ASSY,PE		1
538	2029106	HARNESS,PE		1
539	2032842	DETECTOR,HP;E	4V,50MA,100MW	2
540	2029104	HARNESS,HP		1
541	1036819	CLAMP		1
542	1045162	SHEET,COVER,M/B		1
543	1033209	CLEANER,HEAD,ASP		1
545	1043413	SHAFT,CR,GUIDE		1
546	1043358	LEVER,PG,SUB		1
547	1030382	OIL PAD		1
548	1056654	COVER,CARTRIDGE BK;C		1
549	1056655	COVER,CARTRIDGE,CR		1
552	1043373	LIFTER,CARTRIDGE,BK		1
553	1043375	LIFTER,CARTRIDGE,CR		1
554	2027719	DETECTOR,IC		1
555	2028978	HARNESS,DETECTOR,IC		1
556	2036710	HARNESS,ENCORDER		1
557	1043350	CARRIAGE,PS		1
558	1043412	GROUNDING PLATE,HEAD		1
559	1043355	LEVER,HEAD,ADJUST		1
560	1043411	LEVER,HEAD,FASTEN		1
561	2028973	BOARD ASSY.,ENCORDER		1
562	1046192	HOLDER,BOARD,ENCORDER		1
563	1045163	PLATE,SLIDE,CLEANER		1
564	1030387	SLIDER,CR		1
565	1043418	TORSION SPRING,98		1
566	1043369	LEVER,DETECTOR,IC,BK		1
567	1043370	LEVER,DETECTOR,IC,C		1
568	1043417	TORSION SPRING,2.04		2
569	1043371	COVER,DETECTOR,IC		1
570	2029014	MOTOR ASSY.,CR		1
571	1036680	INSULATOR,MOTOR,CR		4
572	1024352	SPACER,INSULATOR		4
573	1030777	FRAME,MOTOR,CR		1
574	B070200311	HEXAGON NUT	M3	4

EPSON STYLUS COLOR 980

REF	PART NO	DESCRIPTION	SPEC	Q
575	1043365	HOLDER,FFC,CR		
577	1043384	SPUR GEAR,18		
578	1041452	PAPER GUIDE,REAR		
579	1043421	ROLLER,PF		
580	1043382	PAPER GUIDE,FRONT		
581	1043420	ROLLER,PAPER EJECT		
582	1043408	FRAME,PAPER EJECT		
583	1043981	ANTI STATIC CLOTH		
584	1032723	HOLDER,STARWHEEL,FRONT		
585	1042338	HOLDER,STAR WHEEL,RIGHT		
586	1042339	HOLDER,STAR WHEEL,LEFT		
587	1045092	HOLDER ASSY.,STAR WHEEL,RIGHT,ASP		
588	1045093	HOLDER ASSY.,STAR WHEEL,LEFT,ASP		
589	1032244	ROD SPRING,STAR WHEEL		
590	1044879	STAR WHEEL ASSY.,8;D		
591	1043367	HOLDER,FFC,CENTRE		
592	1043366	HOLDER,FFC,LEFT		
593	2028975	CABLE,HEAD,SHORT		
594	2028976	CABLE,HEAD,LONG		
595	1043385	SPUR GEAR,16.5		
596	1043383	BUSHING,6		
597	1043381	BUSHING,12		
599	1045850	BUSHING,12,LEFT		
600	1030957	COMPRESSION SPRING,5.85		
601	1037094	SPACER,FASTEN,ROLLER,PF		
602	1037095	SPACER,FASTEN,ROLLER,PF;B		
603	1043380	COMBINATION GEAR,22,81		
604	1031164	C-RING		
605	1032301	SCALLOP SPRING PIN-AW,2X16,F/B		
606	1043775	FRAME SUB ASSY.,DE		
607	2029016	MOTOR ASSY.,ASF		
608	2028972	SOLENOID		
609	1043395	LEVER,TRIGGER		
610	1043399	EXTENTION SPRING,0.21		
611	1043394	SHAFT,DE,PLANET		
612	1043397	LEVER,CHANGE		
613	1043400	COMBINATION GEAR,14,24		
614	1043401	SPUR GEAR,20,8		
615	1043402	COMBINATION GEAR,18,27.2		
616	1043403	COMBINATION GEAR,20,8.4		
617	1043404	SPUR GEAR,26.25		
620	1046605	FRAME,ASF		
621	1036870	WHEEL,DETENT		
622	1038211	LEVER,FASTEN,EDGE GUIDE;B		
623	1030959	EXTENSION SPRING,0.088		
624	1046597	SHAFT,ROLLER,LD		
625	1042306	LEVER,HOPPER,RELEASE		
626	1040589	HOPPER		
627	1040645	REINFORCEMENT PLATE,HOPPER		
628	1056635	EDGE GUIDE;D		
629	1030429	SLIDER,EDGE GUIDE		
630	1030960	COMPRESSION SPRING,3.23		
631	1033016	PAD,BRAKE,EDGE GUIDE		
632	1040606	CORK		
633	1043828	CORK;B		
634	1005416	SHAFT,MOUNT,CR		
635	1032300	C.P.S-TITE(P4),3X6,F/ZN		
636	1040599	SHEET,PAPERFEED		
637	1040600	HOLDER,SHEET,PAPERFEED		
638	1043034	ROLLER ASSY,LD,LEFT		
639	1043035	ROLLER ASSY,LD,RIGHT		
640	1040597	COVER,ROLLER,LD,LEFT		
641	1040598	COVER,ROLLER,LD,RIGHT		
642	1036868	COMPRESSION SPRING,1.961		
643	1040657	PAPER LOADING ASSY.,RIGHT		
644	1040667	PAPER LOADING ASSY.,LEFT		
647	2023593	FERRITE CORE		
658	1046604	SPUR GEAR,27.2		
659	2029107	HARNES,ASF		

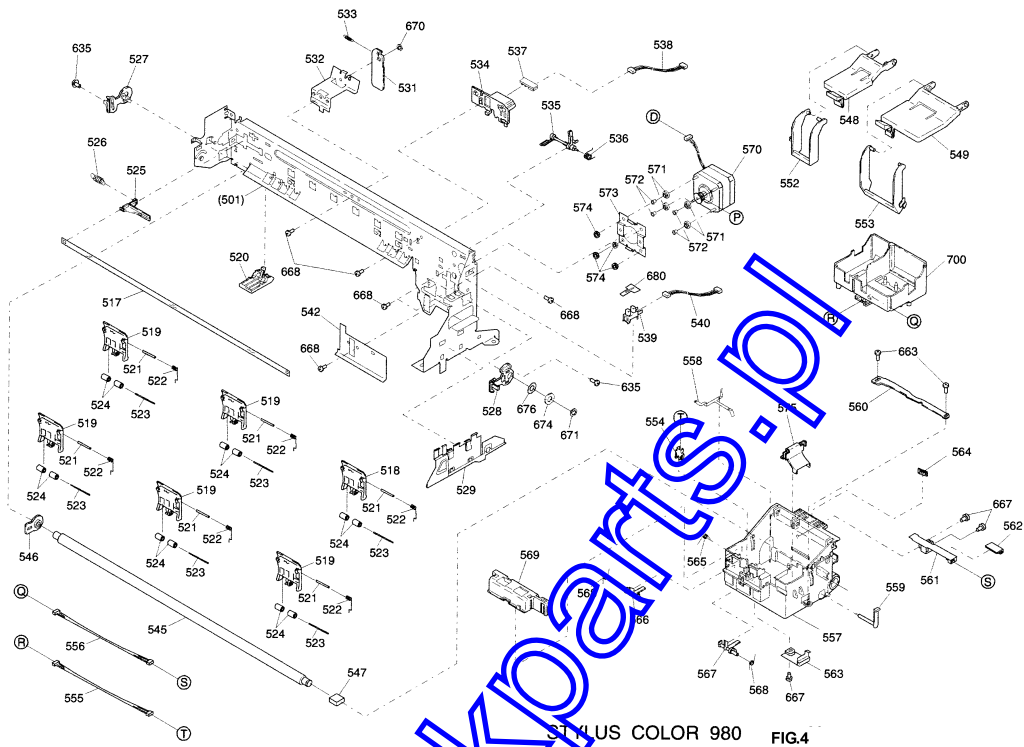
EPSON STYLUS COLOR 980

Page 6

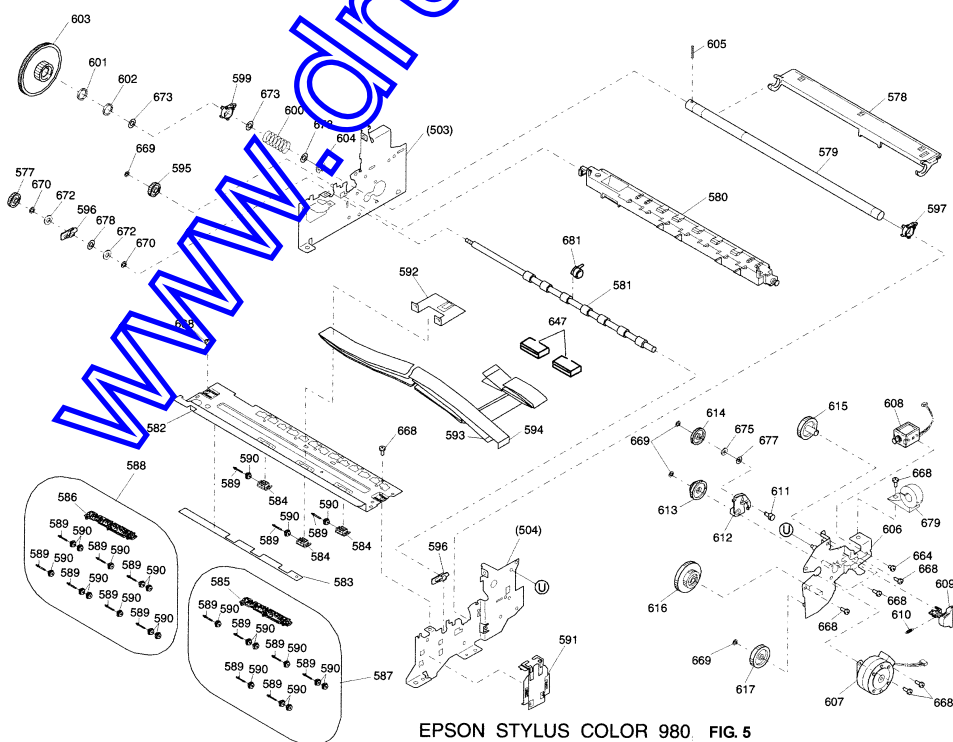


EPSON STYLUS COLOR 980

Page 7



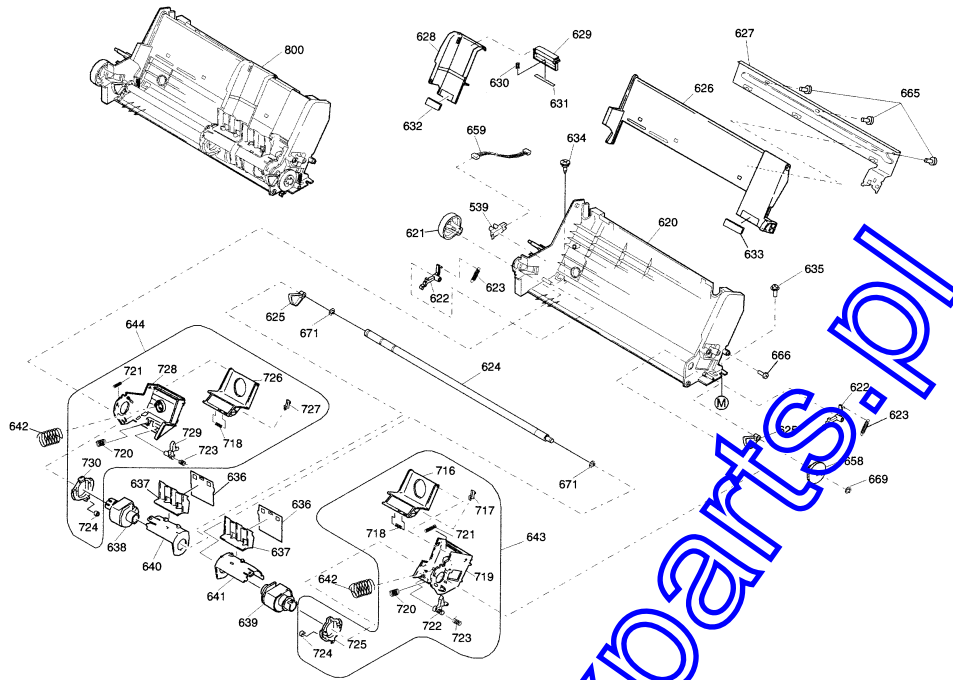
EPSON STYLUS COLOR 980 FIG.4



EPSON STYLUS COLOR 980 FIG.5

EPSON STYLUS COLOR 980

Page 8



EPSON STYLUS COLOR 980 No. 8

www.drukparts.nl