

EPSON STYLUS COLOR 900

Spares Guide version 2
BOLD TYPE INDICATES IMPORTANT ITEMS

Page 1

REF NO.	PART NO	DESCRIPTION	SPECIFICATION	QTY
100	1042792	HOUSING, UPPER		1
101	1042791	HOUSING, LOWER		1
102	1042793	COVER, PRINTER		1
103	1040615	PAPER SUPPORT;B		1
104	1042794	HOUSING, REAR		1
105	1037223	COVER, CONNECTOR, UPPER	ECW	1
106	1043827	STACKER ASSY.		1
107	1042795	HOUSING, PANEL, RIGHT		1
108	1042796	KEY TOP		1
109	1042797	OPTICAL PLATE		1
110	1046456	SLEEVE, OPTICAL PLATE		1
111	1044083	SHEET, PROTECT, PANEL		1
112	1042802	HOUSING, PANEL, LEFT		1
113	1043161	POROUS PAD, INK EJECT, L		7
114	1043162	POROUS PAD, INK EJECT, R		7
115	1044907	LOGO PLATE		1
116	1043163	COVER, POROUS PAD, INK EJECT		1
117	1045772	SPACER, POROUS PAD, INK EJECT		1
118	1004605	FOOT		4
119	1040649	LOCK, STACKER		1
120	1040650	COMPRESSION SPRING, 2.94		1
121	1042804	SHIELD PLATE, MAIN, UPPER, RIGHT		1
122	1042807	SHIELD PLATE, MAIN, UPPER, LEFT		1
123	1011863	GROUNDING PLATE, I/F, UPPER		1
124	1005382	GROUNDING PLATE, I/F		1
125	1006374	GUIDE, I/F BOARD		1
126	1043295	SHIELD PLATE, MAIN, UPPER, I/F		1
129	1042805	SHIELD PLATE, P/S, LOWER		1
130	1042806	SHIELD PLATE, P/S, UPPER		1
131	1042810	GROUNDING PLATE, P/S		1
132	1044082	SHIELD PLATE, P/S, UPPER, RIGHT		1
133	1045773	SPACER, SHIELD PLATE		1
134	1045701	FOOT, P/S		1
135	1042808	MOUNTING PLATE, P/S		1
136	1042811	GUIDE, FRAME, P/S		1
137	1045665	SHIELD PLATE, I/F		1
138	1042803	SHIELD PLATE, MAIN, LOWER		1
139	1042991	GROUNDING PLATE, M/B		1
140	1042812	GUIDE, SHIELD PLATE		1
142	1002902	CLAMP		4
145	B010103311	C.P.SCREW	M3X6	21
146	B300204211	C.B.S. SCREW	M3X6	16
147	B300204311	C.B.S. SCREW	M3X8	4
148	1002654	C.B.S-TITE SCREW	M3X30	4
149	1002674	C.B.S-TITE SCREW	M3X12	2
150	1005019	C.B.P-TITE SCREW, 3X8, F/ZN	M3X8 F/ZN	6
151	1012350	C.B.P-TITE, 3X10, F/ZN		3
152	1020333	C.B.SCREW, 4X14, F/ZN		4
154	1024130	C.B.P-TITE SCREW, 3X6, F/ZN		5
155	1032985	C.P.P-TITE SCREW, 4X12, F/ZN		3
156	B045800115	C.B.(O) SCREW 4X8 F/ZG	M4X8 F/ZG	1
180	1044909	LABEL, CAUTION 1;B		1
200	2029316	BOARD ASSY., MAIN	5525A:STANDARD	1
300	2029320	BOARD ASSY., POWER SUPPLY 240V		1

EPSON STYLUS COLOR 900

Page 2

REF NO.	PART NO	DESCRIPTION	SPECIFICATION	QTY
330	2029505	WIRE HARNESS		1
331	2031156	WIRE HARNESS		1
332	2031157	WIRE HARNESS		1
333	2029511	WIRE HARNESS		1
334	2029512	WIRE HARNESS		1
335	2029261	FAN ASSY.		1
400	2006741	POWER CABLE, 240V		1
412	2030458	WIRE HARNESS		1
450	2029322	BOARD ASSY., PANEL	5528A:STANDARD	1
500	2030408	PRINTER MECHANISM		1
501	1043405	FRAME, UPPER		1
502	1043407	FRAME, LOWER		1
503	1043351	FRAME ASSY., LEFT		1
504	1043406	FRAME, RIGHT		1
505	1043409	FRAME, GUIDE, CR		1
506	1043359	LEVER, PG		1
507	1045740	TORSION SPRING, 64.7		1
508	1043423	TIMING BELT		1
509	1043360	HOLDER, PULLEY, DRIVEN		1
510	1043361	PULLEY, DRIVEN		1
511	1043414	SHAFT, PULLEY, DRIVEN		1
512	1030398	BUSHING, PULLEY, DRIVEN		1
513	1043415	COMPRESSION SPRING, 48		1
514	1043117	INK SYSTEM ASSY.		1
515	2029015	MOTOR ASSY., PF		1
516	1043410	GROUNDING PLATE, FRAME, LOWER		2
517	1043422	LINEAR SCALE		1
518	1032646	PAPER GUIDE, RIGHT		1
519	1030408	PAPER GUIDE, UPPER		5
520	1030414	PAPER GUIDE, LEFT		1
521	1030968	SHAFT, PAPER GUIDE, UPPER		6
522	1030956	TORSION SPRING, 117.6		6
523	1030969	SHAFT, ROLLER, DRIVEN		6
524	1046454	ROLLER, DRIVEN;E		12
525	1043362	HOLDER, LINEAR SCALE		1
526	1043416	EXTENSION SPRING, 2.13		1
527	1043363	BUSHING, PARALLEL, ADJUST, RIGHT		1
528	1043364	BUSHING, PARALLEL, ADJUST, LEFT		1
529	1043368	HOLDER, FFC, RIGHT		1
530	2029108	BOARD ASSY., HP		1
531	1037724	PAPER SUPPORT, UPPER		1
532	1043774	FRAME ASSY, PAPER SUPPORT		1
533	1036849	EXTENSION SPRING, 0.29		1
534	1030837	HOLDER, DETECTOR, PE		1
535	1030838	LEVER, DETECTOR, PE		1
536	1030958	TORSION SPRING, 0.22		1
537	2022329	CIRCUIT ASSY, PE		1
538	2029106	HARNESS, PE		1
539	2021854	DETECTOR, HP	4V,50MA,100MW,	2
540	2029104	HARNESS, HP		1
541	1045440	NYLON CLIP		1
542	1045162	SHEET, COVER, M/B		1
543	1033209	CLEANER, HEAD, ASP		1
545	1043413	SHAFT, CR, GUIDE		1
546	1043358	LEVER, PG, SUB		1
547	1030382	OIL PAD	(CANNOT BE RE-FILLED!)	1

EPSON STYLUS COLOR 900

Page 3

REF NO.	PART NO	DESCRIPTION	SPECIFICATION	QTY
548	1043356	COVER, CARTRIDGE, BLACK		1
549	1043357	COVER, CARTRIDGE, COLOUR		1
550	1037833	LABEL, LEVER CARTRIDGE, BLACK		1
551	1037835	LABEL, LEVER CARTRIDGE, COLOUR		1
552	1043373	LIFTER, CARTRIDGE, BLACK		1
553	1043375	LIFTER, CARTRIDGE, COLOUR		1
554	2027719	DETECTOR, I/C		1
555	2028978	HARNESS, DETECTOR, IC		1
556	2028977	HARNESS, ENCODER		1
557	1043350	CARRIAGE ASSY.		1
558	1043412	GROUNDING PLATE, HEAD		1
559	1043355	LEVER, HEAD, ADJUST		1
560	1043411	LEVER, HEAD, FASTEN		1
561	2028973	BOARD ASSY., ENCODER		1
562	1046192	HOLDER, BOARD, ENCODER		1
563	1045163	PLATE, SLIDE, CLEANER		1
564	1030387	SLIDER, CR		1
565	1043418	TORSION SPRING, 98		1
566	1043369	LEVER, DETECTOR, IC, BK		1
567	1043370	LEVER, DETECTOR, IC, C		1
568	1043417	TORSION SPRING, 2.04		2
569	1043371	COVER, DETECTOR, IC		1
570	2029014	MOTOR ASSY., CR		1
571	1036680	INSULATOR, MOTOR, CR		4
572	1024352	SPACER, INSULATOR		4
573	1030777	FRAME, MOTOR, CR		1
574	B070200311	HEXAGON NUT		4
575	1043365	HOLDER, FFC, CR		1
577	1043384	SPUR GEAR, 18		1
578	1041452	PAPER GUIDE, REAR		1
579	1043421	ROLLER, PF		1
580	1043382	PAPER GUIDE, FRONT		1
581	1043420	ROLLER, PAPER EJECT		1
582	1043408	FRAME, PAPER EJECT		1
583	1043981	ANTI STATIC CLOTH		1
584	1032723	HOLDER, STARWHEEL, FRONT		3
585	1042338	HOLDER, STAR WHEEL, RIGHT		1
586	1042339	HOLDER, STAR WHEEL, LEFT		1
587	1045092	HOLDER ASSY, STAR WHEEL, RIGHT,		1
588	1045093	HOLDER ASSY, STAR WHEEL, LEFT,		1
589	1032244	ROD SPRING, STAR WHEEL		16
590	1044879	STAR WHEEL ASSY, 8;D		23
591	1043367	HOLDER, STAR WHEEL, CENTER		1
592	1043366	HOLDER, STAR WHEEL, LEFT		1
593	2028975	CABLE, HEAD, SHORT		1
594	2028976	CABLE, HEAD, LONG		1
595	1043385	SPUR GEAR, 16.5		1
596	1043383	BUSHING, 6		2
597	1043381	BUSHING, 12		1
599	1045850	BUSHING, 12, LEFT		1
600	1030957	COMPRESSION SPRING, 5.85		1
601	1037094	SPACER, FASTEN, ROLLER, PF		1
602	1037095	SPACER, FASTEN, ROLLER, PF;B		1
603	1043380	COMBINATION GEAR, 22, 81		1
604	1031164	C-RING		1
605	1032301	SCALLOP SPRING PIN-AW, 2X16, F/B		1

EPSON STYLUS COLOR 900

Page 4

REF NO.	PART NO	DESCRIPTION	SPECIFICATION	QTY
606	1043775	FRAME SUB ASSY., DE		1
607	2029016	MOTOR ASSY., ASF		1
608	2028972	SOLENOID		1
609	1043395	LEVER, TRIGGER		1
610	1043399	EXTENSION SPRING, 0.21		1
611	1043394	SHAFT, DE, PLANET		1
612	1043397	LEVER, CHANGE		1
613	1043400	COMBINATION GEAR, 14.4, 24		1
614	1043401	SPUR GEAR, 20.8		1
615	1043402	COMBINATION GEAR, 12.8, 27.2		1
616	1043403	COMBINATION GEAR, 20, 38.4		1
617	1043404	SPUR GEAR, 26.25		1
620	1046605	FRAME, ASF		1
621	1036870	WHEEL, DETECT		1
622	1038211	LEVER, FASTEN, EDGE GUIDE;B		2
623	1030959	EXTENSION SPRING, 0.088		2
624	1046597	SHAFT, ROLLER, LD		1
625	1042306	LEVER, HOPPER, RELEASE		2
626	1040589	HOPPER		1
627	1040645	REINFORCEMENT PLATE, HOPPER		1
628	1040590	EDGE GUIDE		1
629	1030429	SLIDER, EDGE GUIDE		1
630	1030960	COMPRESSION SPRING, 3.23		1
631	1033016	PAD, BRAKE, EDGE GUIDE		1
632	1040606	CORK		1
633	1043828	CORK;B		1
634	1005416	SHAFT, MOUNT, CR		1
635	1032300	C.P.S-TITE(P4), 3X6, F/ZN		3
636	1040599	SHEET, PAPER FEED		2
637	1040600	HOLDER, SHEET, PAPER FEED		2
638	1043034	ROLLER ASSY, LD, LEFT		1
639	1043035	ROLLER ASSY, LD, RIGHT		1
640	1040597	COVER, ROLLER, LD, LEFT		1
641	1040598	COVER, ROLLER, LD, RIGHT		1
642	1036868	COMPRESSION SPRING, 0.961		2
643	1040657	PAPER LOADING ASSY, RIGHT		1
644	1040667	PAPER LOADING ASSY, LEFT		1
658	1046604	SPUR GEAR, 27.2		1
659	2029107	HARNESS, ASF		1
663	1014868	C.B.P-TITE(P4), 3X6, F/ZN		2
664	1007590	C.B.P-TITE (3X6)		1
665	1024130	C.B.P-TITE SCREW, 3X6, F/ZN		3
666	1032985	C.P.P-TITE SCREW, 4X12, F/ZN		1
667	1043627	C.B.P-TITE SCREW, 5X5, F/ZN		3
668	B300204211	C.B.S. SCREW	M3X6	30
669	B150300611	RETAINING RING	TYPE-E(3)	5
670	B150300711	RETAINING RING	TYPE-E(4)	3
671	B150300911	RETAINING RING	TYPE-E(6)	3
672	1025414	PLAIN WASHER 6.1X0.5X12, F/NI		2
673	1030967	PLAIN WASHER, 12.2X0.5X15		3
674	B100167090	PLAIN WASHER	4.1X0.2X7.8	1
675	B101253390	LEAF SPRING	8.2X0.15X15	1
676	B101253890	LEAF SPRING	4.1X0.13X8.3	1
677	B101253890	LEAF SPRING	4.1X0.13X8.3	1
678	1003636	U-TYPE S.W.	6.2X0.1X10	1
679	1045441	CLAMP, FERRITE		1

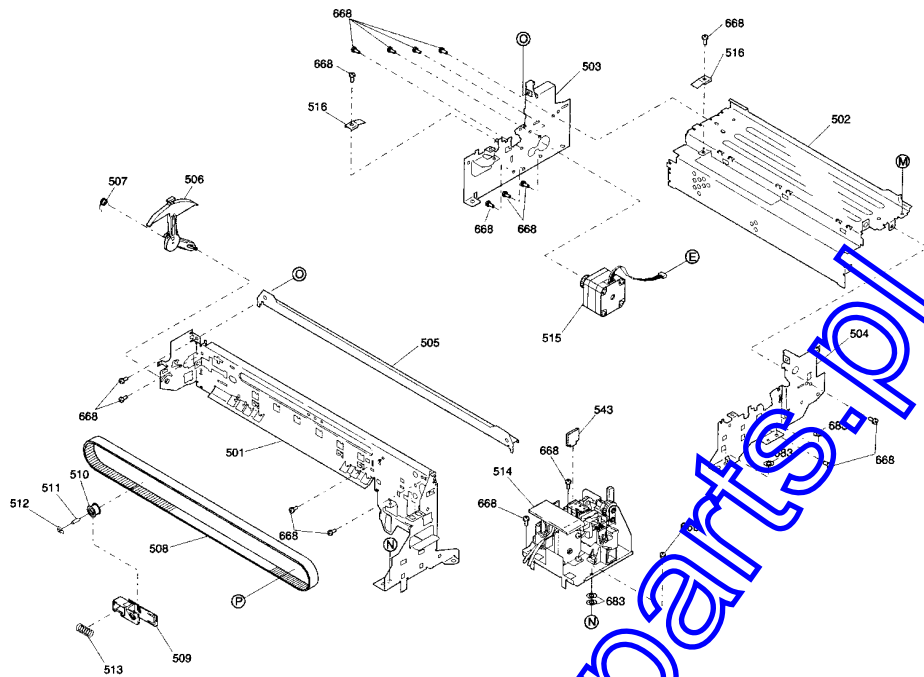
EPSON STYLUS COLOR 900

REF NO.	PART NO	DESCRIPTION	SPECIFICATION	QTY
680	1048220	SHEET PRESSING PLATE HP		
681	1045652	GUIDE PAPER EJECT	ADDITIONAL PART	
682	1045656	CLAMP FERRITE CORE		
683	1048608	SPACER FRAME IS		1
685	1045659	CLAMP CABLE		1
700	F072000	PRINT HEAD, IJ480-0A0	KIT - F072000-C	1
800	1044017	ASF UNIT, ASP		1
N/A	1044636	INK CARTRIDGE UNBOXED BLACK		1
N/A	1044640	INK CARTRIDGE UNBOXED COLOUR		1
N/A	1044703	INK CARTRIDGE, COLOUR, AS		1
N/A	1044704	INK CARTRIDGE, BLACK,, AS		1
END				

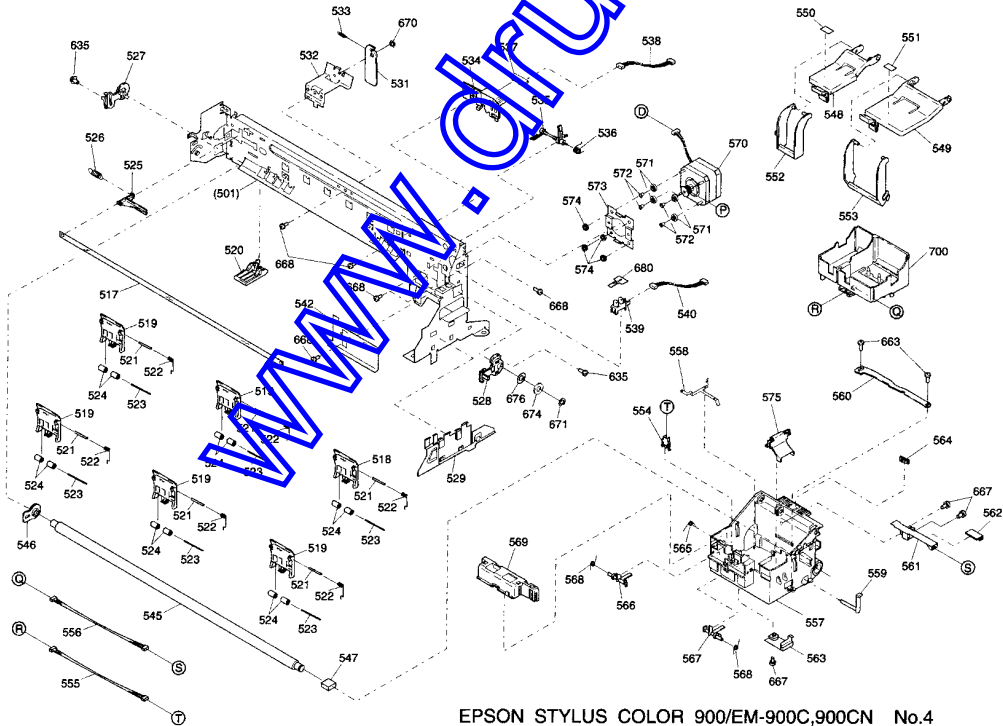
www.drukparts.pl

EPSON STYLUS COLOR 900

Page 7



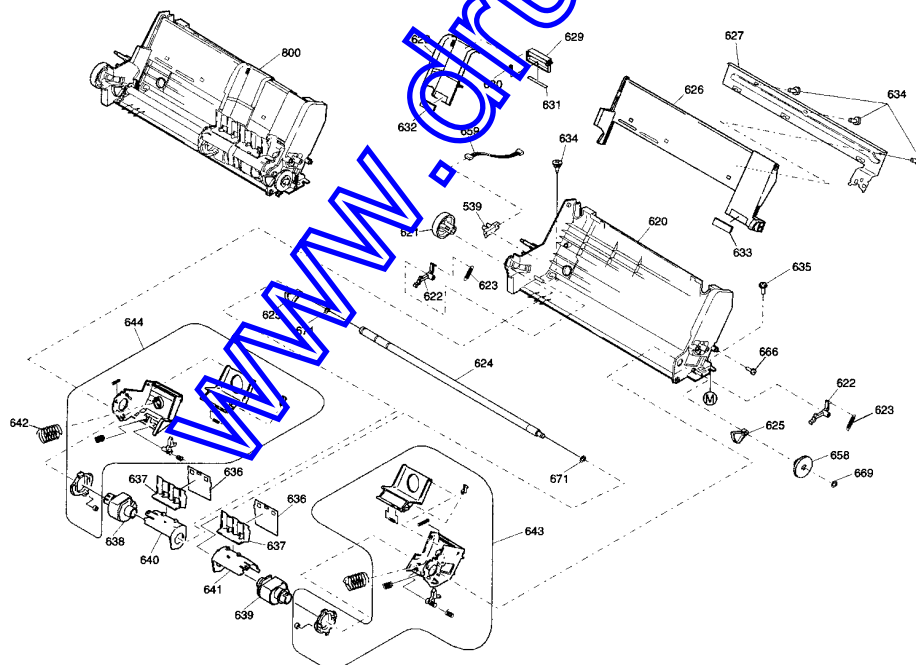
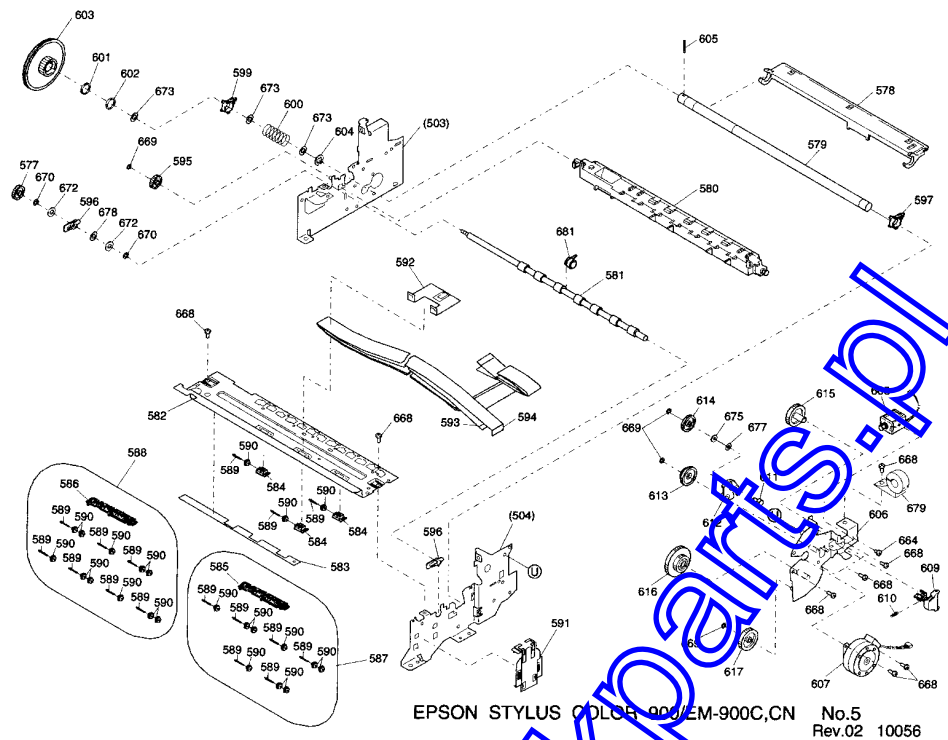
EPSON STYLUS COLOR 900/EM-900C,CN No.3
Rev.02 10056



EPSON STYLUS COLOR 900/EM-900C,900CN No.4
Rev.02 10056

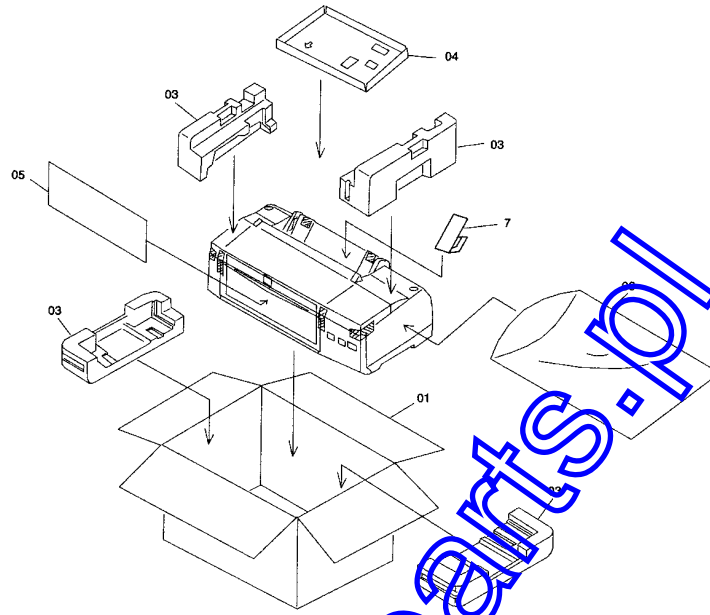
EPSON STYLUS COLOR 900

Page 8



EPSON STYLUS COLOR 900

Page 9



EPSON STYLUS COLOR 900 No.7
10056 Rev.02

www.drukparts.pl