

EPSON STYLUS COLOR 760

SHADED ROWS INDICATE IMPORTANT ITEMS

Page 1

REF	PART NO	DESCRIPTION	SPECIFICATION	QTY
100	1048551	HOUSING		1
101	1048552	COVER,PRINTER		1
102	1040615	PAPER SUPPORT;B		1
103	1048866	STACKER ASSY.		1
104	1048867	PANEL ASSY.		1
105	1048899	SHIELD PLATE,PANEL		1
106	1048565	HOUSING,PANEL,LEFT		1
107	1048564	HOUSING,PANEL,RIGHT,SUPPORT		1
108	1030669	GROUNDING PLATE		2
109	1030609	COVER,SHIELD PLATE,M/B,RIGHT		1
111	1030608	COVER,CABLE		1
112	1037313	COVER,INLET,UPPER;B		1
113	1037314	COVER,INLET,LOWER;B		1
114	1048900	SHIELD PLATE,M/B		1
115	1049682	LOGO PLATE		1
116	1048554	HOUSING,SUPPORT,RIGHT		1
117	1048555	HOUSING,SUPPORT,LEFT		1
119	1047689	FOOT		4
121	B010103311	C.P.SCREW	M3X6	3
122	B300204211	C.B.S. SCREW	M3X6	27
123	1032538	C.B.(O) SCREW,4X5,F/ZG		1
124	B300204411	C.B.S. SCREW	M3X6	4
125	1005019	C.B.P-TITE SCREW,3X8,F/ZN	M3X8 F/ZN	2
126	1012350	C.B.P-TITE,3X10,F/ZN	M3X10 F/ZN	2
131	1040616	COVER,CABLE;B		1
132	1040649	LOCK,STACKER		1
133	1040650	COMPRESSION SPRING,2.94		1
180	1049613	LABEL,CAUTION1		1
181	1049689	LABEL,ACCESSORY;G		1
183	1037833	LABEL,LEVER CARTRIDGE,BLACK		1
184	1037835	LABEL,LEVER CARTRIDGE,COLOR		1
200	2032197	BOARD ASSY.,MAIN		1
300	2032165	BOARD ASSY.,POWER SUPPLY 240V	5575A,STANDARD	1
330	2032199	WIRE HARNESS		1
400	2006741	POWER CABLE,BS31303,SR-10	240V	1
401	2018028	HARNESS	220V/230V/240V	1
450	2032166	BOARD ASSY.,PANEL	5576A,STANDARD	1
500	2032750	PRINTER MECHANISM(CAS),M4Q10-100		1
501	1048901	FRAME ASSY.,LEFT		1
502	2032184	MOTOR ASSY.,P	,DC	1
503	1039368	SPUR GEAR,23.2		1
504	1030453	COMBINATION GEAR,16,40.8		1
505	1048874	FRAME,RIGHT,FRONT		1
506	1048873	FRAME,LEFT,FRONT		1
507	2032183	MOTOR ASSY.,CR	,DC	1
508	1048750	PUMP ASSY.		1
509	1050541	CAP ASSY.;B		1
510	1048877	FRONT COVER		1
511	1050766	SHIELD,PROTECTION,INK		1
512	1048876	FRAME,FRONT		1
513	1030392	BUSHING,PARALLELISM ADJUST,LEFT		1
514	1030393	BUSHING,PARALLELISM ADJUST,RIGHT		1
515	1048875	PAPER GUIDE,REAR		1
516	1048740	ROLLER,PF		1
517	1030957	COMPRESSION SPRING,5.85		1
518	1037093	BUSHING,12,LEFT		1
519	1048880	LEVER,CHANGE		1
520	1030452	SPUR GEAR,26.4		1
521	1030975	SPACER,C-RING		2
522	1032301	SCALLOP SPRING PIN-AW,2X16,F/B		1
523	1030965	COMPRESSION SPRING,0.9		1
524	1048928	SPUR GEAR,76		1
525	1037094	SPACER,FASTEN,ROLLER,PF		1
526	1037095	SPACER,FASTEN,ROLLER,PF;B		1
527	1031164	C-RING		2
528	1038159	PLAIN WASHER,12.2X0.5X17		2
529	1048742	ROLLER ASSY.,EJECT		1

EPSON

STYLUS COLOR 760

Page 2

REF	PART NO	DESCRIPTION	SPECIFICATION	QTY
530	1048829	BUSHING,6		2
531	B150300711	RETAINING RING	TYPE-E(4)	3
532	1048929	SPUR GEAR,28		1
533	1030403	BUSHING,12,RIGHT		1
534	1030971	PLAIN WASHER,4.1X0.5X6.5		4
535	1048824	PAPER GUIDE,FRONT		1
536	1042582	GROUNDING WIRE,EJ		1
537	1048885	GROUNDING SPRING,PF		1
538	1048878	FRAME,PAPER EJECT		1
539	1042338	HOLDER,STAR WHEEL,RIGHT		1
540	1042339	HOLDER,STAR WHEEL,LEFT		1
541	1032723	HOLDER,STARWHEEL,FRONT		1
542	1045223	STARWHEEL ASSY.,8;E		20
543	1033652	STARWHEEL,8;B		1
544	1032244	ROD SPRING,STAR WHEEL		1
545	1030408	PAPER GUIDE,UPPER		5
546	1030414	PAPER GUIDE,LEFT		1
547	1032646	PAPER GUIDE,RIGHT		1
548	1030968	SHAFT,PAPER GUIDE,UPPER		6
549	1030969	SHAFT,ROLLER,DRIVEN		6
550	1038961	ROLLER,DRIVEN;D		12
551	1030956	TORSION SPRING,117.6		6
552	2022329	CIRCUIT ASSY,PE		1
553	1048827	HOLDER,PE		1
554	1048826	LEVER,PE		1
555	1030958	TORSION SPRING,0.22		1
556	1048816	LEVER,CR,LOCK		1
557	1048879	GUIDE PLATE,CR		1
558	1032719	SHEET,CABLE		1
559	1050769	SCREW,MOUNT,PF		1
560	1051077	CARRIAGE ASSY.:B		1
561	1030380	LEVER,ADJUST		1
562	1048884	GROUNDING PLATE,CR		1
563	1030382	OIL PAD		1
564	1030387	SLIDER,CR		1
565	1048736	TIMING BELT		1
566	1048737	SHAFT,CR,GUIDE		1
567	1048808	PULLEY,DRIVEN		1
568	1048810	HOLDER,PULLEY,DRIVEN		1
569	1049695	COMPRESSION SPRING,23.52		1
570	1037577	LEVER,PG		1
571	1030395	LEVER,PG,SUPPORT		1
572	1048889	TORSION SPRING,63.7		1
573	1048820	COMBINATION GEAR,13.8		1
574	1048930	COMBINATION GEAR,13.8		1
575	1048811	BUSHING,PULLEY,DRIVEN		2
576	1034669	POROUS PAD,SLIDER,TAP		1
577	1048735	SHAFT,PULLEY,DRIVEN		1
578	1048887	EXTENSION SPRING,21		1
579	1048821	LEVER,PLANET,LOCK		1
580	2028815	HARNESS,PG		1
581	2028817	HARNESS,PG		1
582	1048738	SHAFT,SPUR GEAR,PLANET		1
583	1048818	LEVER,PLANET,PUMP		1
584	1048817	SPUR GEAR,10.8		1
585	1048912	U-TYPE SPRING,5.2X0.13X10,S/NA		1
586	1048819	SPUR GEAR,8.4		1
587	B300204211	C.B.S. SCREW	M3X6	24
588	B010103311	C.P.SCREW	M3X6	3
589	B101254590	LEAF SPRING	6.2X0.15X11	1
590	1017597	PLAIN WASHER,3.3X0.5X8,F/UC		1
591	1043627	C.B.P-TITE,2.5X5,F/ZN		1
592	1048891	PLAIN WASHER,3.1X0.2X6.5,S/NA		1
593	1048890	PLAIN WASHER,5.1X0.7X11,S/NA		1
594	1048893	PLAIN WASHER,10.7X0.5X15.5,L/NA		1
595	1040640	HOLDER, DETECTOR,I/C		1
596	1040641	LEVER,DETECTOR,I/C,BK		1

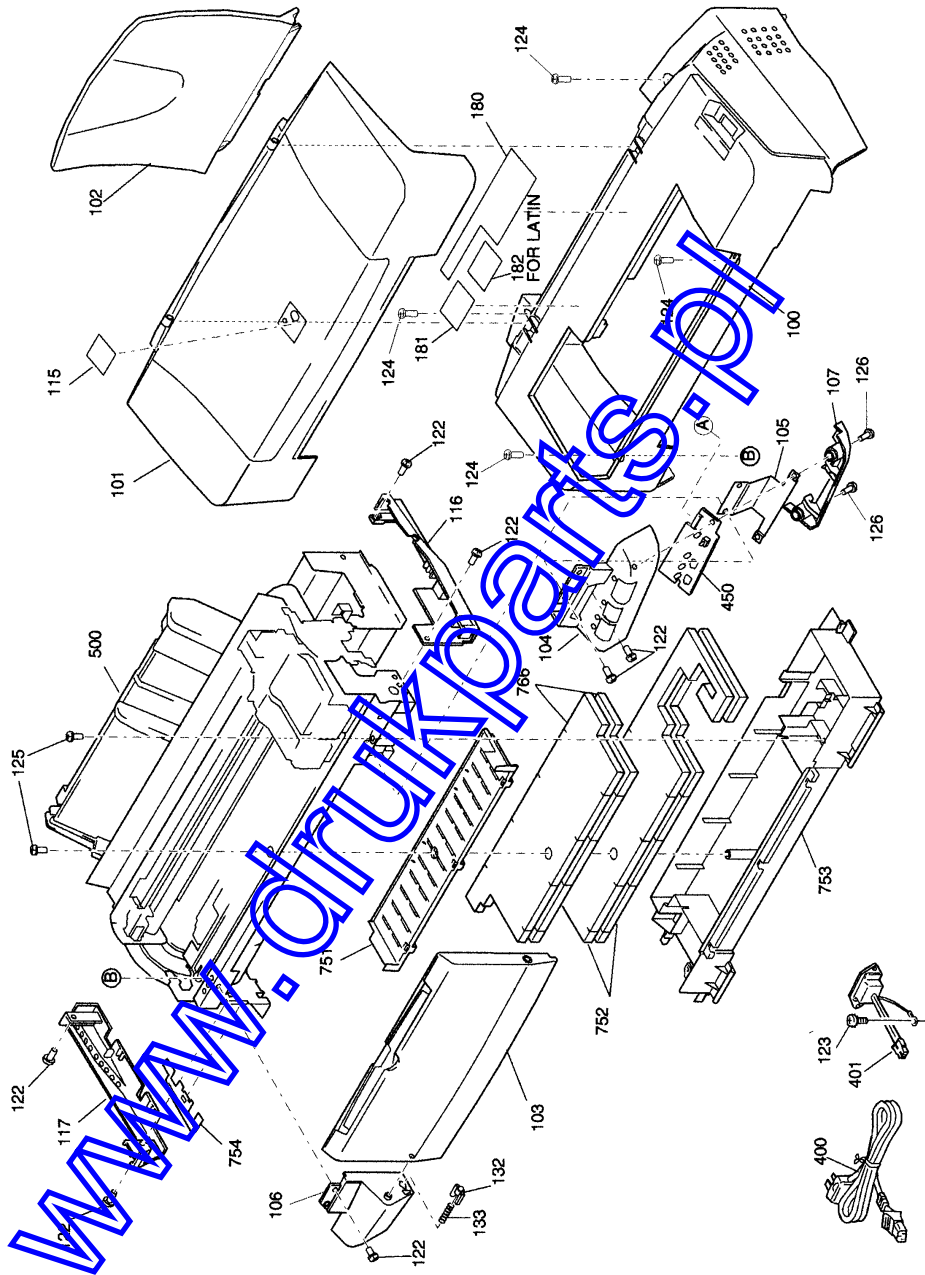
EPSON STYLUS COLOR 760

Page 3

REF	PART NO	DESCRIPTION	SPECIFICATION	QTY
597	1040642	LEVER,DETECTOR,I/C,CL		1
598	1048895	PLAIN WASHER,2.1X0.5X4.6,L/NA		1
599	1048903	FRAME ASSY.,MIDDLE		1
600	1042687	TORSION SPRING,1.08		2
601	2027719	DETECTOR,I/C		1
602	2027720	HARNESS,I/C		1
603	1048913	TAPE,D50		1
604	1048918	BOARD ASSY.,ENCODER		2
605	1048920	SCALE,CR		1
606	1048922	SCALE,PF		1
607	1048898	MOUNTING PLATE,SCALE		1
608	2032182	FFC,ENCODER		1
609	1048888	EXTENSION SPRING,1.494		1
610	1049348	MINI CLAMP,UAMS-05SN		3
611	1048957	SCALLOP SPRING PIN-AW,2X10,F/B		1
612	1048741	STOPPER,LEVER CHANGE		1
613	1048822	MOUNTING PLATE,BOARD ASSY.		1
614	1048875	FRAME,RIGHT,REAR		1
615	1048812	PLATE,SLIDE,CLEANER		1
616	1048897	U-TYPE SPRING,3.4X0.1X6.4,S/NA		1
700	F073000	PRINT HEAD,IJ288-0C0		1
701	1032255	FASTENER,HEAD		1
702	1049041	TORSION SPRING,49		1
703	1024130	C.B.P-TITE SCREW,3X6,F/ZN		4
704	2032179	CABLE,HEAD,A		1
705	1048806	HOLDER,CABLE		1
706	1033220	SPACER,CABLE HEAD		1
707	1038244	FRAME,ASF;B		1
708	1040589	HOPPER		1
709	1040590	EDGE GUIDE		1
710	1040606	CORK		1
711	1030429	SLIDER,EDGE GUIDE		1
712	1030960	COMPRESSION SPRING,3.27		1
713	1033016	PAD,BRAKE,EDGE GUIDE		1
714	1040645	REINFORCEMENT PLATE,HOPPER		1
716	1040661	PAD ASSY.,RIGHT		1
717	1030450	LEVER,PAD,RELEASE,RIGHT		1
718	1030420	ROD SPRING,HOLDER,PAD		2
719	1040608	HOLDER,EDGE GUIDE,RIGHT		1
720	1036867	COMPRESSION SPRING,1.17		2
721	1036874	EXTENSION SPRING,0.2		2
722	1040595	LEVER,PAPERRETURN,RIGHT		1
723	1040646	EXTENSION SPRING,0.294		2
724	1040596	ROLLER ASSY,SUPPORT		2
725	1040648	HOLDER,ROLLER,LD,SUPPORT,RIGHT		1
726	1040660	PAL ASSY,LEFT		1
727	1030449	LEVER,PAD,RELEASE,LEFT		1
728	1040602	HOLDER,EDGE GUIDE,LEFT		1
729	1040594	LEVER,PAPERRETURN,LEFT		1
730	1040647	HOLDER,ROLLER,LD,SUPPORT,LEFT		1
731	1040658	ROLLER ASSY.,LD,LEFT		1
732	1040659	ROLLER ASSY.,LD,RIGHT		1
733	1040597	COVER,ROLLER,LD,LEFT		1
734	1040598	COVER,ROLLER,LD,RIGHT		1
735	1036868	COMPRESSION SPRING,1.961		2
736	1038211	LEVER,FASTEN,EDGE GUIDE;B		2
737	1030959	EXTENSION SPRING,0.088		2
738	1040601	SHAFT,ROLLER,LD		1
739	1042067	LEVER,HOPPER,RELEASE		2
740	1040607	WHEEL,DETECT		1
741	1030951	LEVER,BRAKE		1
742	1030970	PAD,BRAKE		1
743	1030966	TORSION SPRING,41.2		1
744	1030456	BUSHING,FASTEN,SHAFT		1
745	1040599	SHEET,PAPER FEED		2
746	1040600	HOLDER,SHEET,PAPERFEED		2
747	1005416	SHAFT,MOUNT,CR		1

EPSON STYLUS COLOR 760

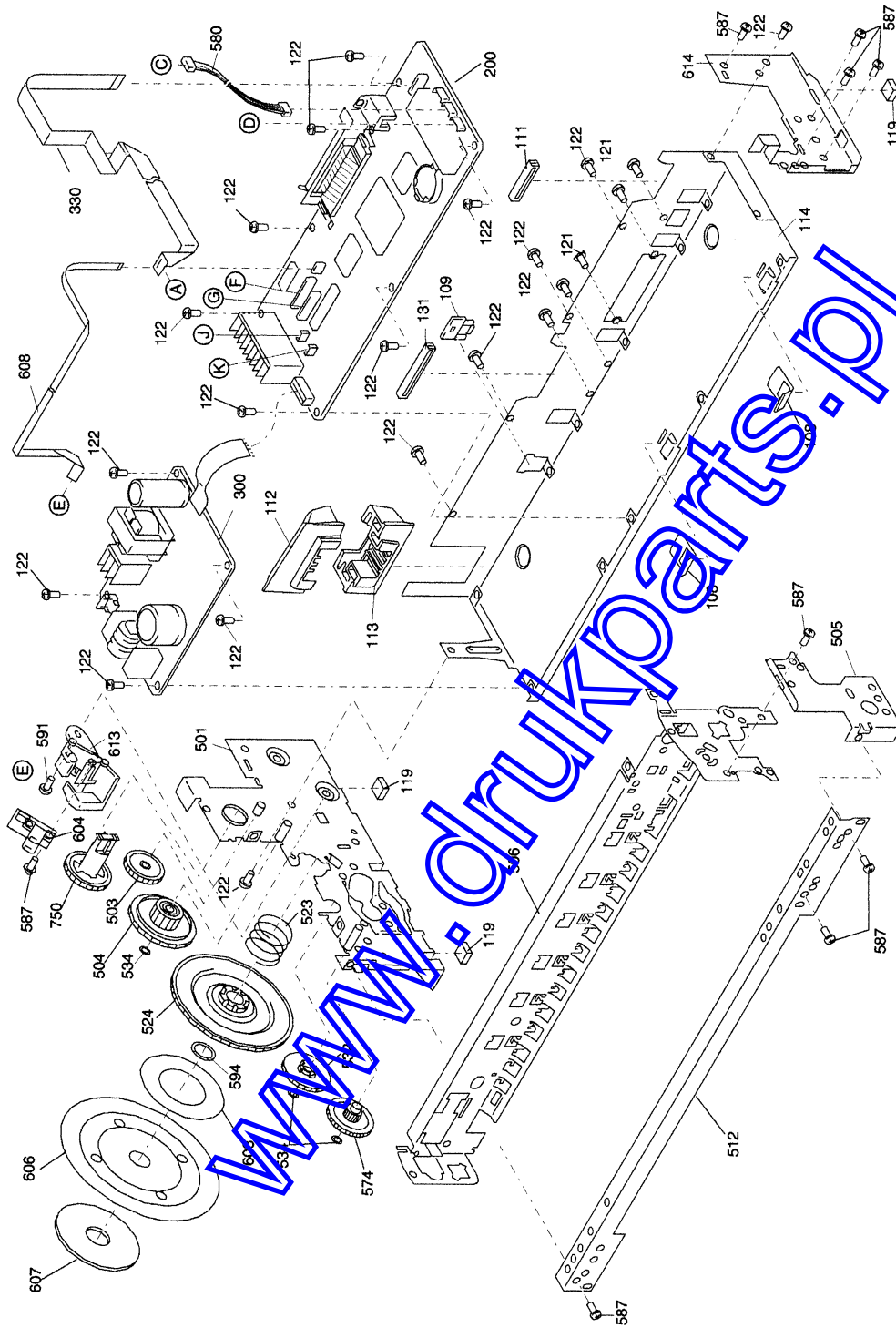
Page 5



STYLUS COLOR 760 (1/5)

EPSON STYLUS COLOR 760

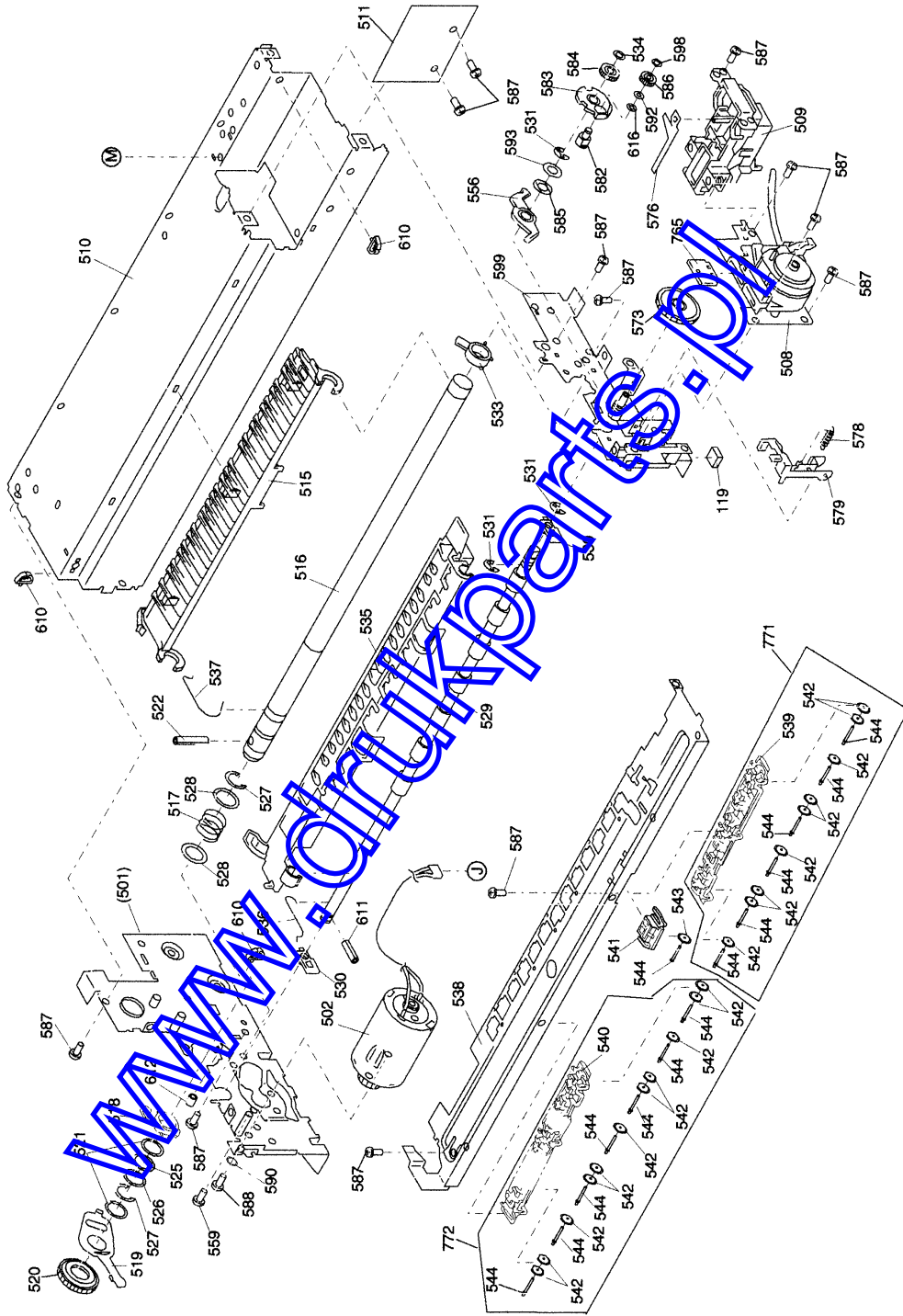
Page 6



STYLUS COLOR 760 (2/5)

EPSON STYLUS COLOR 760

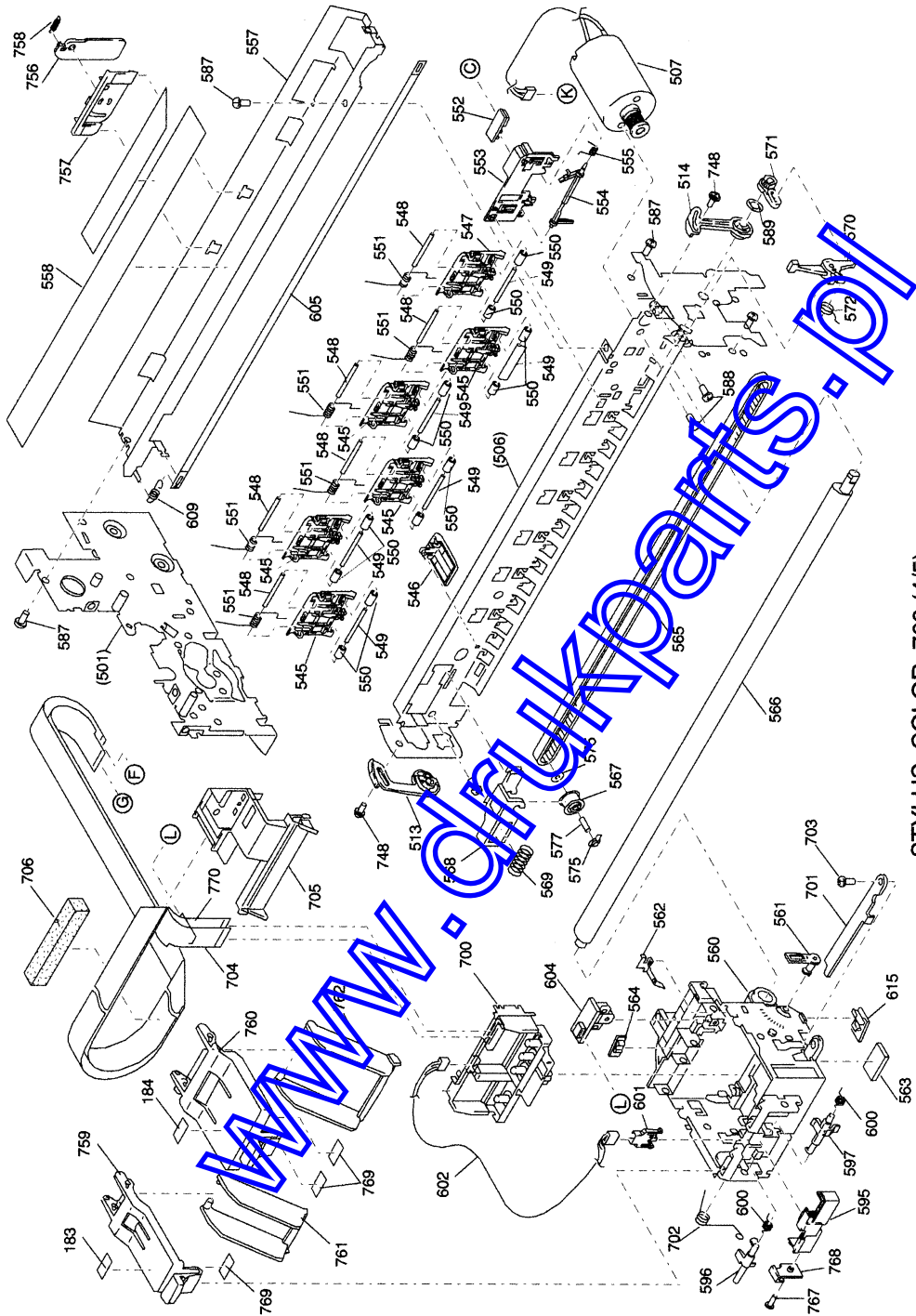
Page 7



STYLUS COLOR 760 (3/5)

EPSON STYLUS COLOR 760

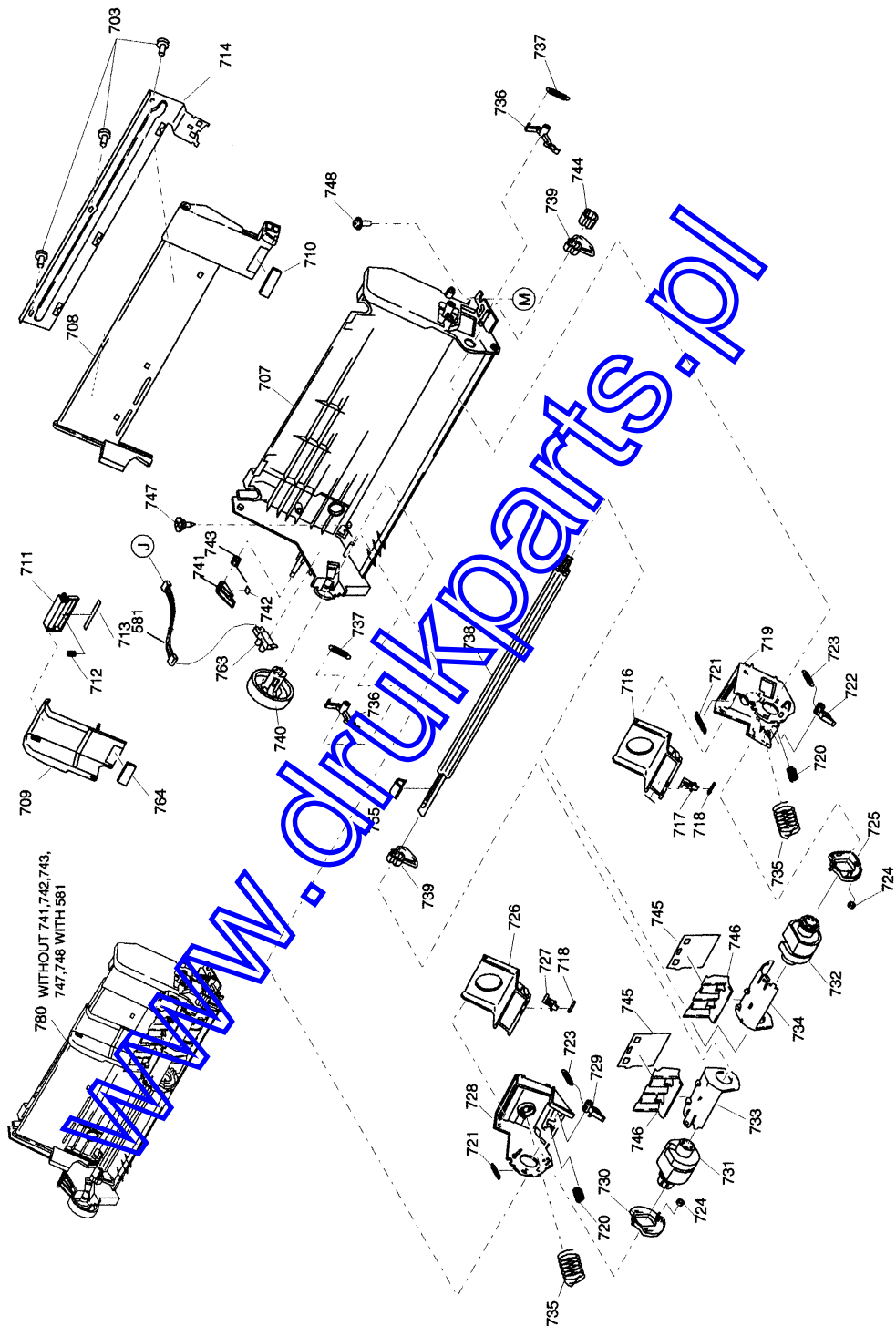
Page 8



STYLUS COLOR 760 (4/5)

EPSON STYLUS COLOR 760

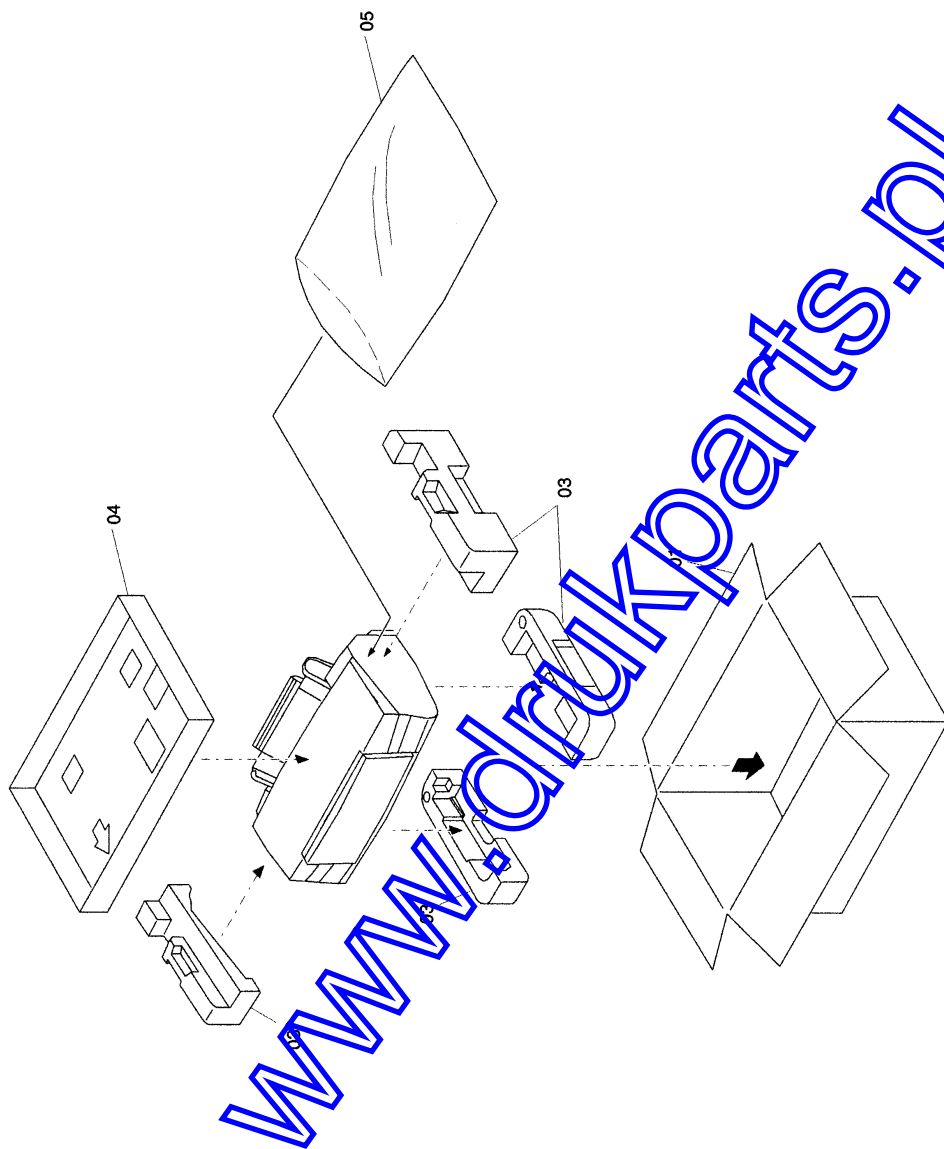
Page 9



STYLUS COLOR 760 (5/5)

EPSON STYLUS COLOR 760

Page 10



PACKING MATERIAL STYLUS COLOR 760