

# EPSON STYLUS COLOR 740

Spares Guide Version 2

Page 1

REF	PART NO	DESCRIPTION	SPEC	QTY
100	1040609	HOUSING		1
101	1040610	COVER,PRINTER		1
102	1040615	PAPER SUPPORT;B		1
103	1040665	STACKER ASSY		1
104	1040663	PANEL ASSY		1
105	1032270	SHIELD PLATE,PANEL		1
106	1042512	HOUSING,PANEL,LEFT		1
107	1038229	BUTTON;B		1
108	1030669	GROUNDING PLATE		2
109	1030609	COVER,SHIELD PLATE,M/B,RIGHT		1
111	1030608	COVER,CABLE		2
112	1037313	COVER,INLET,UPPER;B		1
113	1037314	COVER,INLET,LOWER;B		1
114	1040651	SHIELD PLATE,M/B		1
115	1041801	LOGO PLATE		1
116	1038233	HOUSING,SUPPORT,RIGHT;B		1
117	1038234	HOUSING,SUPPORT,LEFT;B		1
119	1033230	FOOT		4
121	B010103311	C.P.SCREW	M3X6	2
122	B300204211	C.B.S. SCREW	M3X6	23
123	1032538	C.B.(O) SCREW,4X5,F/ZG		1
124	B300204411	C.B.S. SCREW	M3X10	4
125	1005019	C.B.P-TITE SCREW,3X8,F/ZN	M3X8 F/ZN	3
126	1012350	C.B.P-TITE,3X10,F/ZN		2
128	1031165	MINI CLAMP		1
131	1040616	COVER,CABLE;B		1
132	1040649	LOCK,STACKER		1
133	1040650	COMPRESSION SPRING,2.94		1
134	1042513	SPACER,HOUSING		1
135	1042514	SPACER,HOUSING,PANEL		1
180	1041803	LABEL,CAUTION 1;B		1
183	1037833	LABEL,LEVER CARTRIDGE,BLACK		1
184	1037835	LABEL,LEVER CARTRIDGE,COLOUR		1
<b>200</b>	<b>2031530</b>	<b>BOARD ASSY.,MAIN</b>	<b>SEE NOTE BELOW</b>	<b>1</b>
<b>300</b>	<b>2027730</b>	<b>BOARD ASSY.,POWER SUPPLY</b>		<b>1</b>
330	2027722	WIRE HARNESS		1
400	2006741	POWER CABLE,BS31303SA-SR-10A	240V	1
401	2018028	HARNESS	220V/230V/240V	1
450	2023320	BOARD ASSY.,PANEL		1
500	2028551	PRINTER MECHANISM(ASP)M4M101190		1
501	1040664	FRAME ASSY.,LEFT		1
502	2027845	MOTOR ASSY.,PF		1
503	1039368	SPUR GEAR,23.2		1
504	1030453	COMBINATION GEAR,16,40.5		1
505	1030343	FRAME,RIGHT		1
506	1040571	FRAME,TOP		1
507	2028006	MOTOR ASSY.,CR		1
508	1040515	PUMP ASSY.		1
509	1044904	CAP ASSY.;B		1
510	1040573	FRAME,BOTTOM		1
511	1032969	SHEET,PROTECTION HEAD		1
512	1030344	FRAME,FRONT		1
513	1030392	BUSHING,PARALLELISM ADJUST,LEFT		1
514	1030393	BUSHING,PARALLELISM ADJUST,RIGHT		1
515	1030417	PAPER GUIDE,REAR		1
516	1040584	ROLLER,PF		1
517	1030957	COMPRESSION SPRING,5.85		1
518	1037093	BUSHING,12,LEFT		1
519	1030454	LEVER,CHANGE		1
520	1030452	SPUR GEAR,26.4		1
521	1030975	SPACER,C-RING		2
522	1032301	SCALLOP SPRING PIN-AW,2X16,F/B		1
523	1030965	COMPRESSION SPRING,0.9		1
524	1040582	SPUR GEAR,73.6		1
525	1037094	SPACER,FASTEN,ROLLER,PF		1
526	1037095	SPACER,FASTEN,ROLLER,PF;B		1
527	1031164	C-RING		3
528	1030967	PLAIN WASHER,12.2X0.5X15		2

# EPSON STYLUS COLOR 740

Spares Guide Version 2

Page 2

REF	PART NO	DESCRIPTION	SPEC	QTY
529	1040586	ROLLER,ASSY.,PAPER EJECT		1
530	1030422	BUSHING,6		2
531	B150300711	RETAINING RING	TYPE-E(4)	1
532	1042516	SPUR GEAR,36		1
533	1040576	SPUR GEAR,11		1
534	1030971	PLAIN WASHER,4.1X0.5X6.5		2
535	1050635	PAPER GUIDE,FRONT;B		1
536	1042582	GROUNDING WIRE,EJ		1
537	1042649	GUIDE,PAPER EJ		1
538	1040574	FRAME, PAPER EJECT		1
539	1042338	HOLDER,STAR WHEEL,RIGHT		1
540	1042339	HOLDER,STAR WHEEL,LEFT		1
541	1032723	HOLDER,STAR WHEEL,FRONT		1
542	1045223	STAR WHEEL ASSY.,8;E		20
543	1033652	STAR WHEEL,8;B		1
544	1032244	ROD SPRING,STAR WHEEL		14
545	1030408	PAPER GUIDE,UPPER		5
546	1030414	PAPER GUIDE,LEFT		1
547	1032646	PAPER GUIDE,RIGHT		1
548	1030968	SHAFT,PAPER GUIDE,UPPER		6
549	1030969	SHAFT,ROLLER,DRIVEN		6
550	1038961	ROLLER,DRIVEN;D		12
551	1030956	TORSION SPRING,117.6		6
552	2022329	CIRCUIT ASSY,PE		1
553	1030411	HOLDER,PE		1
554	1030410	LEVER,PE		1
555	1030958	TORSION SPRING,0.22		1
556	1042648	SHEET,GUIDE PLATE,CABLE		1
557	1040575	GUIDE PLATE,CABLE		1
558	1032719	SHEET,CABLE		1
559	2032842	DETECTOR,HP;E	1V,50MA,100MW	1
560	1040639	CARRIAGE ASSY.		1
561	1030380	LEVER,ADJUST		1
562	1040579	GROUNDING PLATE,HEAD		1
563	1030382	OIL PAD		1
564	1030387	SLIDER,CR		1
565	1030390	TIMING BELT		1
566	1030391	SHAFT,CR,GUIDE		1
567	1031313	PULLEY ASSY.,DRIVEN		1
568	1041207	HOLDER,PULLEY,DRIVEN;B		1
569	1030955	COMPRESSION SPRING,19.6		1
570	1037577	LEVER,PG		1
571	1030395	LEVER,PG,SUPPORT		1
572	1032240	TORSION SPRING,63.7		1
573	1040587	COMBINATION GEAR,16,28		1
574	1040581	COMBINATION GEAR,16,16		1
576	1034669	POROUS PAD,SLIDER,HP		1
577	1040644	BUSHING,FASTENING,COMBINATION GEAR		1
578	1023219	BUSHING NUT,2		1
579	2028816	HARNES,HP		1
580	2028815	HARNES,PE		1
581	2028817	HARNES,HP		1
586	1015240	C.C.S.SCREW		2
587	B300204211	C.B.S. SCREW	M3X6	20
588	1032300	C.P.S-TITE(P4),3X6,F/ZN		2
589	B101254590	LEAF SPRING	6.2X0.15X11	1
590	1030972	PLAIN WASHER,2.6X0.5X8		1
590	1042515	PLAIN WASHER,6.1X0.5X9.0		1
591	1024505	HEXAGON NUT,NORMAL,M3		3
592	B100151112	PLAIN WASHER	3X0.3X7	1
595	1040640	HOLDER, DETECTOR,I/C		1
596	1040641	LEVER,DETECTOR,I/C,BK		1
597	1040642	LEVER,DETECTOR,I/C,CL		1
598	1042341	GROUNDING PLATE,ROLLER,PF		1
600	1042687	TORSION SPRING,1.08		2
601	2027719	DETECTOR,I/C		1
602	2027720	HARNES,I/C		1

# EPSON STYLUS COLOR 740

Spares Guide Version 2

Page 3

REF	PART NO	DESCRIPTION	SPEC	QTY
700	F065010	PRINT HEAD IJ288-0AA		1
701	1032255	FASTENER,HEAD		1
702	1030954	TORSION SPRING,49		1
703	1024130	C.B.P-TITE SCREW,3X6,F/ZN		4
704	2027716	CABLE,HEAD		1
705	1040580	HOLDER,CABLE		1
706	1033220	SPACER,CABLE HEAD		1
707	1038244	FRAME,ASF;B		1
708	1040589	HOPPER		1
709	1040590	EDGE GUIDE		1
710	1040606	CORK		1
711	1030429	SLIDER,EDGE GUIDE		1
712	1030960	COMPRESSION SPRING,3.23		1
713	1033016	PAD,BRAKE,EDGE GUIDE		1
714	1040645	REINFORCEMENT PLATE,HOPPER		1
716	1040661	PAD ASSY.,RIGHT		1
717	1030450	LEVER,PAD,RELEASE,RIGHT		1
718	1030420	ROD SPRING,HOLDER,PAD		2
719	1040608	HOLDER,EDGE GUIDE,RIGHT		1
720	1036867	COMPRESSION SPRING,1.17		2
721	1036874	EXTENSION SPRING,0.62		2
722	1040595	LEVER,PAPER RETURN,RIGHT		1
723	1040646	EXTENSION SPRING,0.294		2
724	1040596	ROLLER,LD,SUPPORT		2
725	1040648	HOLDER,ROLLER,LD,SUPPORT,RIGHT		1
726	1040660	PAD ASSY.,LEFT		1
727	1030449	LEVER,PAD,RELEASE,LEFT		1
728	1040602	HOLDER,EDGE GUIDE,LEFT		1
729	1040594	LEVER,PAPER RETURN,LEFT		1
730	1040647	HOLDER,ROLLER,LD,SUPPORT,LEFT		1
731	1040658	ROLLER ASSY.,LD,LEFT		1
732	1040659	ROLLER ASSY.,LD,RIGHT		1
733	1040597	COVER,ROLLER,LD,LEFT		1
734	1040598	COVER,ROLLER,LD,RIGHT		1
735	1036868	COMPRESSION SPRING,1.961		2
736	1038211	LEVER,FASTEN,EDGEGUIDE;B		2
737	1030959	EXTENSION SPRING,0.088		2
738	1040601	SHAFT,ROLLER,LD		1
739	1042067	LEVER,HOPPER,RELEASE		2
740	1040607	WHEEL,DETECT		1
741	1030951	LEVER,BRAKE		1
742	1030970	PAD,BRAKE		1
743	1030966	TORSION SPRING,41.2		1
744	1030456	BUSHING,FASTEN,SHAFT		1
745	1040599	SHEET,PAPER FEED		2
746	1040600	HOLDER,SHEET,PAPER FEED		2
747	1005416	SHAFT,MOUNT,CR		1
748	1032300	C.P.S-TITE(P4),3X6,F/ZN		1
750	1040588	SPUR GEAR,34		1
751	1030419	PAPER GUIDE,LOWER		1
752	1030372	POROUS PAD,INK EJECT,LARGE		2
753	1030374	TRAY,POROUS PAD		1
754	1040873	SPACER,TRAY		1
755	1031178	BUSHING,FASTEN,SHAFT,LEFT		1
756	1037724	PAPER SUPPORT,SUPPORT,UPPER		1
757	1042947	HOLDER,PAPER SUPPORT,SUPPORT,UPPER		1
758	1036849	EXTENSION SPRING,0.29		1
759	1040577	COVER,CARTRIDGE,BLACK		1
760	1040656	COVER,CARTRIDGE,COLOUR;B		1
761	1040578	SEPARATOR,CARTRIDGE,BLACK		1
762	1030379	SEPARATOR,CARTRIDGE,COLOUR		1
763	2032842	DETECTOR,HP;E	4V,50MA,100MW	1
764	1043828	CORK;B		1
765	1034969	CLEANER,HEAD,ASP		1
766	1030373	POROUS PAD,INK EJECT,SMALL		2
766	1043979	ASF UNIT;C		1
767	1024892	C.P.B.(O) SCREW,1.7X5,F/ZN		1

# EPSON

## STYLUS COLOR 740

*Spares Guide Version 2*

Page 4

REF	PART NO	DESCRIPTION	SPEC	QTY
768	1042029	BUSHING,HOLDER,DETECTOR,I/C		1
771	1045092	HOLDER ASSY.,STAR WHEEL,RIGHT,ASP		1
772	1045093	HOLDER ASSY.,STAR WHEEL,LEFT,ASP		1
N/A	1041472	INK CARTRIDGE,BLACK,AS		1
N/A	1041473	INK CARTRIDGE,COLOUR,AS		1
N/A	1017039	LABEL,EARTH		1
END				

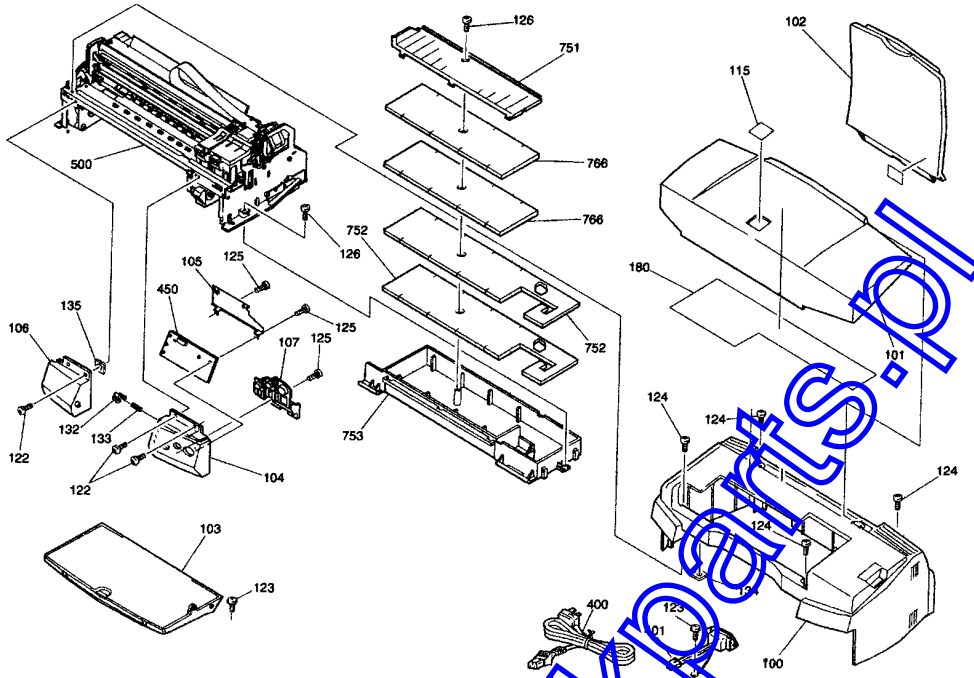
NOTE: REFER TO "TECHEXCHANGE" FOR INFORMATION ABOUT ORDERING IC'S

www.drukparts.pl

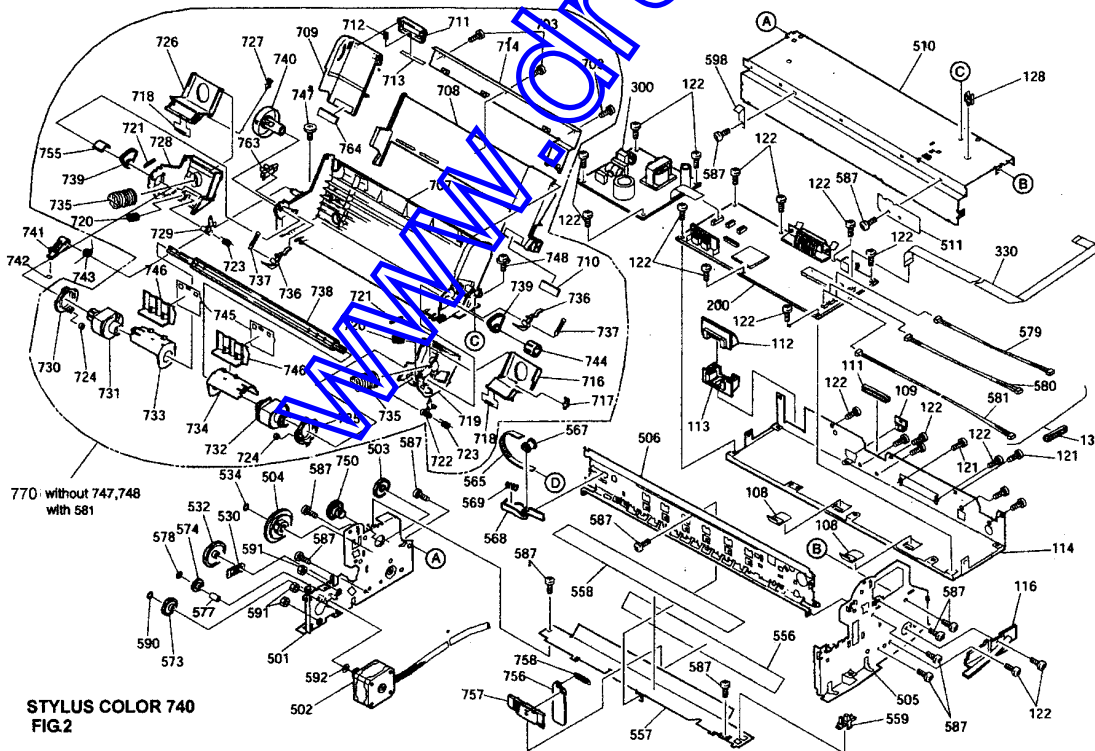
# EPSON STYLUS COLOR 740

Spares Guide Version 2

Page 5

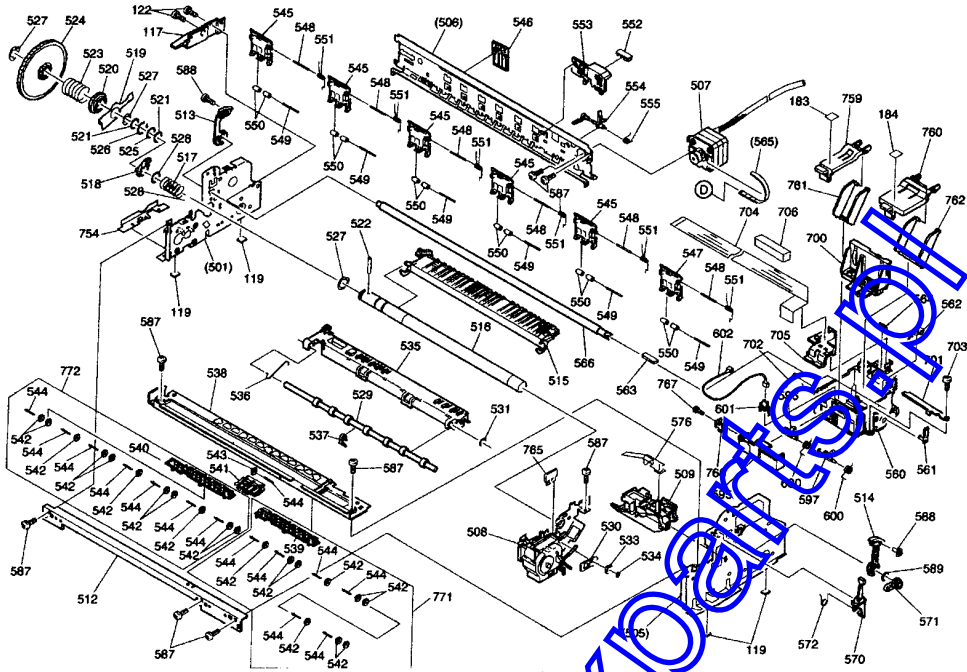


STYLUS COLOR 740 FIG. 1



STYLUS COLOR 740  
FIG. 2

**EPSON**  
**STYLUS COLOR 740**  
*Spares Guide Version 2*  
Page 6



STYLUS COLOR 740 - FIG. 3

[www.druckp.com](http://www.druckp.com)