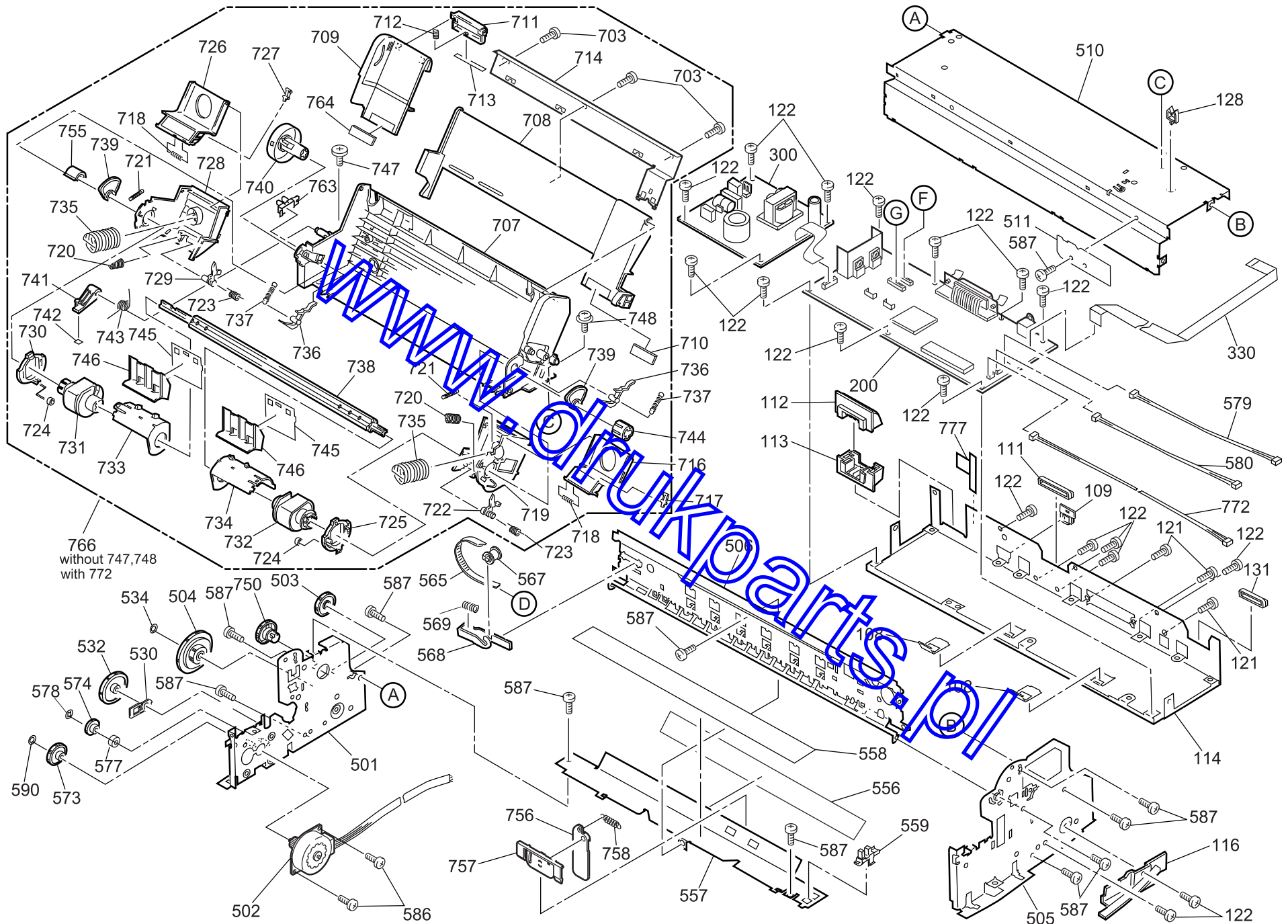


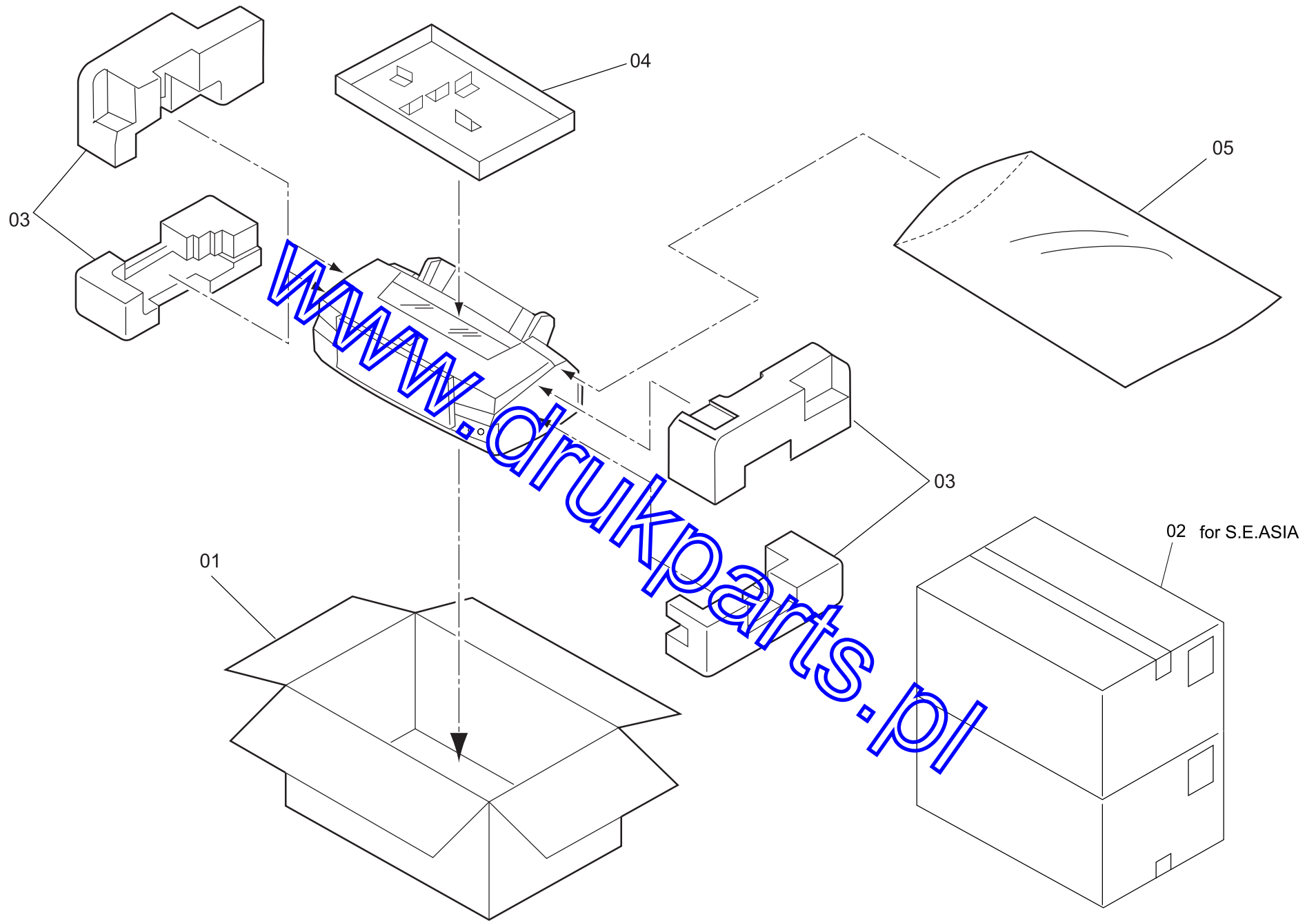
EPSON STYLUS COLOR 670 NO.1 REV.01 10189



EPSON STYLUS COLOR 670 NO.2

REV.01 10189





PACKING MATERIAL FOR EPSON STYLUS COLOR 670

Part Code		Ref No.				
(Link to Part Infor Part Name		to Exploded Diagi	Category	Qty		Remark
<a href="#">2027722</a>	WIRE HARNESS	<a href="#">330</a>	Cable		1	
<a href="#">2018028</a>	HARNESS	<a href="#">401</a>	Cable		1	
<a href="#">2023320</a>	BOARD ASSY.,PANEL	<a href="#">450</a>	Cable		1	
<a href="#">1043891</a>	HOUSING	<a href="#">100</a>	Case		1	
<a href="#">1040610</a>	COVER,PRINTER	<a href="#">101</a>	Case		1	
<a href="#">1040615</a>	PAPER SUPPORT;B	<a href="#">102</a>	Case		1	
<a href="#">1040665</a>	STACKER ASSY	<a href="#">103</a>	Case		1	
<a href="#">1040663</a>	PANEL ASSY	<a href="#">104</a>	Case		1	
<a href="#">1032270</a>	SHIELDPLATE,PANEL	<a href="#">105</a>	Case		1	
<a href="#">1042512</a>	HOUSING,PANEL,LEFT	<a href="#">106</a>	Case		1	
<a href="#">1030669</a>	GROUNDING PLATE	<a href="#">108</a>	Case		2	
<a href="#">1030609</a>	COVER,SHIELD PLATE,M/B,RIGHT	<a href="#">109</a>	Case		1	
<a href="#">1040616</a>	COVER,CABLE;B	<a href="#">111</a>	Case		1	
<a href="#">1037313</a>	COVER,INLET,UPPER;B	<a href="#">112</a>	Case		1	
<a href="#">1037314</a>	COVER,INLET,LOWER;B	<a href="#">113</a>	Case		1	
<a href="#">1055585</a>	SHIELDPLATE,M/B;B	<a href="#">114</a>	Case		1	
<a href="#">1052771</a>	LOGO PLATE	<a href="#">115</a>	Case		1	
<a href="#">1038233</a>	HOUSING,SUPPORT,RIGHT;B	<a href="#">116</a>	Case		1	
<a href="#">1038234</a>	HOUSING,SUPPORT,LEFT;B	<a href="#">117</a>	Case		1	
<a href="#">1033230</a>	FOOT	<a href="#">119</a>	Case		4	
<a href="#">1284566</a>	C.P.SCREW,3X6,F/ZN-3C	<a href="#">121</a>	Case		3	
<a href="#">1282370</a>	C.B.S-TITE SCREW,3X6,F/ZN-3C	<a href="#">122</a>	Case		22	
<a href="#">1283810</a>	C.B.(O)SCREW,4X5,F/ZG-3C	<a href="#">123</a>	Case		1	
<a href="#">1282372</a>	C.B.S-TITE SCREW,3X10,F/ZN-3C	<a href="#">124</a>	Case		2	
<a href="#">1282410</a>	C.B.P-TITE SCREW,3X8,F/ZN-3C	<a href="#">125</a>	Case		2	
<a href="#">1282378</a>	C.B.P-TITE SCREW,3X10,F/ZN-3C	<a href="#">126</a>	Case		2	
<a href="#">1031165</a>	MINI CLAMP	<a href="#">128</a>	Case		1	
<a href="#">1284089</a>	C.B.S-TITE(P2)SCREW,3X10,F/ZN-3C	<a href="#">129</a>	Case		2	
<a href="#">1282371</a>	C.B.S-TITE SCREW,3X8,F/ZN-3C	<a href="#">130</a>	Case		1	
<a href="#">1030608</a>	COVER,CABLE	<a href="#">131</a>	Case		1	
<a href="#">1040649</a>	LOCK,STACKER	<a href="#">132</a>	Case		1	
<a href="#">1040650</a>	COMPRESSION SPRING,2.94	<a href="#">133</a>	Case		1	
<a href="#">1042513</a>	SPACER,HOUSING	<a href="#">134</a>	Case		1	
<a href="#">1042514</a>	SPACER,HOUSING,PANEL	<a href="#">135</a>	Case		1	
<a href="#">1052957</a>	LABEL,CAUTION	<a href="#">180</a>	Case		1	
<a href="#">1052959</a>	LABEL,ACCESSORY;B	<a href="#">181</a>	Case		1	
<a href="#">2033172</a>	BOARD ASSY.,MAIN	<a href="#">200</a>	Electronic Parts		1	WITHOUT IC3
<a href="#">2031511</a>	BATTERY HOLDER	<a href="#">BAT1</a>	Electronic Parts		1	
<a href="#">2053017</a>	LITHIUM BATTERY(X505000700)	<a href="#">BAT1</a>	Electronic Parts		1	
<a href="#">2032718</a>	ALUMINIUM ELECTROLYTIC CAPACITOR	<a href="#">C53</a>	Electronic Parts		1	
<a href="#">2031510</a>	ALUMINIUM ELECTROYTIC CAPACITOR	<a href="#">C63</a>	Electronic Parts		1	
<a href="#">2031506</a>	ALUMINIUM ELECTROYTIC CAPACITOR	<a href="#">C84</a>	Electronic Parts		1	
<a href="#">2027998</a>	CAPACITOR NETWORK	<a href="#">CM1</a>	Electronic Parts		1	
<a href="#">2013284</a>	CONNECTOR 57RE-40360-830B(D7B)	<a href="#">CN1</a>	Electronic Parts		1	
<a href="#">2005704</a>	CONNECTOR	<a href="#">CN10</a>	Electronic Parts		1	UNIQUE PARTS
<a href="#">2036984</a>	CONNECTOR	<a href="#">CN11</a>	Electronic Parts		1	
<a href="#">2029528</a>	CONNECTOR	<a href="#">CN12</a>	Electronic Parts		1	
<a href="#">2027835</a>	CONNECTOR	<a href="#">CN3</a>	Electronic Parts		1	
<a href="#">2102705</a>	CONNECTOR	<a href="#">CN4</a>	Electronic Parts		1	
<a href="#">2102709</a>	CONNECTOR	<a href="#">CN5</a>	Electronic Parts		1	
<a href="#">2102707</a>	CONNECTOR	<a href="#">CN6</a>	Electronic Parts		1	
<a href="#">2029529</a>	CONNECTOR	<a href="#">CN7</a>	Electronic Parts		1	
<a href="#">2036997</a>	CONNECTOR	<a href="#">CN8</a>	Electronic Parts		1	
<a href="#">2036997</a>	CONNECTOR	<a href="#">CN9</a>	Electronic Parts		1	
<a href="#">2027833</a>	CR NETWORK	<a href="#">CRM1</a>	Electronic Parts		1	
<a href="#">2027833</a>	CR NETWORK	<a href="#">CRM2</a>	Electronic Parts		1	
<a href="#">2027799</a>	CRYSTAL OSCILLATOR	<a href="#">CRU1</a>	Electronic Parts		1	
<a href="#">2012708</a>	DIODE	<a href="#">D1</a>	Electronic Parts		1	
<a href="#">2021266</a>	DIODE	<a href="#">D10</a>	Electronic Parts		1	
<a href="#">2021266</a>	DIODE	<a href="#">D11</a>	Electronic Parts		1	
<a href="#">2021266</a>	DIODE	<a href="#">D12</a>	Electronic Parts		1	
<a href="#">2012708</a>	DIODE	<a href="#">D3</a>	Electronic Parts		1	

www.druckparts.pl

<a href="#">2021266</a>	DIODE	<a href="#">D4</a>	Electronic Parts	1
<a href="#">2021266</a>	DIODE	<a href="#">D5</a>	Electronic Parts	1
<a href="#">2021266</a>	DIODE	<a href="#">D6</a>	Electronic Parts	1
<a href="#">2021266</a>	DIODE	<a href="#">D7</a>	Electronic Parts	1
<a href="#">2021266</a>	DIODE	<a href="#">D8</a>	Electronic Parts	1
<a href="#">2021266</a>	DIODE	<a href="#">D9</a>	Electronic Parts	1
<a href="#">2027798</a>	DIODE ARRAY	<a href="#">DM1</a>	Electronic Parts	1
<a href="#">2009497</a>	CHIP FUSE	<a href="#">F1</a>	Electronic Parts	1
<a href="#">1051346</a>	HEAT SINK	<a href="#">HT1</a>	Electronic Parts	1
<a href="#">2032918</a>	MICROCONTROLLER	<a href="#">IC1</a>	Electronic Parts	1
<a href="#">2087502</a>	INTERFACE IC	<a href="#">IC10</a>	Electronic Parts	1
<a href="#">2031503</a>	D/A CONVERTER	<a href="#">IC11</a>	Electronic Parts	1
<a href="#">2012489</a>	COMPARATOR	<a href="#">IC12</a>	Electronic Parts	1
<a href="#">2075155</a>	HYBRID IC	<a href="#">IC13</a>	Electronic Parts	1
<a href="#">2075155</a>	HYBRID IC	<a href="#">IC14</a>	Electronic Parts	1
<a href="#">2034176</a>	IC	<a href="#">IC15</a>	Electronic Parts	1
<a href="#">2028575</a>	REGULATOR	<a href="#">IC16</a>	Electronic Parts	1
<a href="#">2032922</a>	ASIC	<a href="#">IC2</a>	Electronic Parts	1
<a href="#">2035174</a>	MASK ROM	<a href="#">IC3</a>	Electronic Parts	1
<a href="#">2104326</a>	IC SOCKET	<a href="#">IC3</a>	Electronic Parts	1
<a href="#">2089244</a>	DRAM	<a href="#">IC4</a>	Electronic Parts	1
<a href="#">2027831</a>	TIMER IC	<a href="#">IC5</a>	Electronic Parts	1
<a href="#">2029238</a>	TTL IC	<a href="#">IC9</a>	Electronic Parts	1
<a href="#">2019965</a>	TRANSISTOR	<a href="#">Q1</a>	Electronic Parts	1
<a href="#">1283990</a>	C.B.SCREW,2.6X8,F/ZN-3C	<a href="#">Q2</a>	Electronic Parts	1
<a href="#">2032299</a>	TRANSISTOR	<a href="#">Q2</a>	Electronic Parts	1
<a href="#">1283990</a>	C.B.SCREW,2.6X8,F/ZN-3C	<a href="#">Q3</a>	Electronic Parts	1
<a href="#">2032300</a>	TRANSISTOR	<a href="#">Q3</a>	Electronic Parts	1
<a href="#">2017978</a>	TRANSISTOR	<a href="#">Q4</a>	Electronic Parts	1
<a href="#">2021621</a>	CHIP RESISTOR ARRAY	<a href="#">RM1</a>	Electronic Parts	1
<a href="#">2021632</a>	CHIP RESISTOR ARRAY	<a href="#">RM2</a>	Electronic Parts	1
<a href="#">2021624</a>	CHIP RESISTOR ARRAY	<a href="#">RM5</a>	Electronic Parts	1
<a href="#">2021624</a>	CHIP RESISTOR ARRAY	<a href="#">RM6</a>	Electronic Parts	1
<a href="#">2034319</a>	PRINTER MECHANISM(ASP),M4L12-100	<a href="#">500</a>	Mechanism Parts	1
<a href="#">1040655</a>	FRAME ASSY.,LEFT	<a href="#">501</a>	Mechanism Parts	1
<a href="#">2033714</a>	MOTOR,ASSY,PF	<a href="#">502</a>	Mechanism Parts	1
<a href="#">1039368</a>	SPUR GEAR,23.2	<a href="#">503</a>	Mechanism Parts	1
<a href="#">1030453</a>	COMBINATIONGEAR,16,40.8	<a href="#">504</a>	Mechanism Parts	1
<a href="#">1030343</a>	FRAME,RIGHT	<a href="#">505</a>	Mechanism Parts	1
<a href="#">1040571</a>	FRAME,TOP	<a href="#">506</a>	Mechanism Parts	1
<a href="#">2033713</a>	MOTOR,ASSY,CR	<a href="#">507</a>	Mechanism Parts	1
<a href="#">1050665</a>	PUMP ASSY.	<a href="#">508</a>	Mechanism Parts	1
<a href="#">1053993</a>	CAP ASSY.	<a href="#">509</a>	Mechanism Parts	1
<a href="#">1040573</a>	FRAME,BOTTOM	<a href="#">510</a>	Mechanism Parts	1
<a href="#">1032969</a>	SHEET,PROTECTION,HEAD	<a href="#">511</a>	Mechanism Parts	1
<a href="#">1030344</a>	FRAME,FRONT	<a href="#">512</a>	Mechanism Parts	1
<a href="#">1030392</a>	BUSHING,PARALLELISM ADJUST,LEFT	<a href="#">513</a>	Mechanism Parts	1
<a href="#">1030393</a>	BUSHING,PARALLELISM ADJUST,RIGHT	<a href="#">514</a>	Mechanism Parts	1
<a href="#">1030417</a>	PAPERGUIDE,REAR	<a href="#">515</a>	Mechanism Parts	1
<a href="#">1041663</a>	ROLLER,PF	<a href="#">516</a>	Mechanism Parts	1
<a href="#">1030957</a>	COMPRESSION SPRING,5.85	<a href="#">517</a>	Mechanism Parts	1
<a href="#">1037093</a>	BUSHING,12,LEFT	<a href="#">518</a>	Mechanism Parts	1
<a href="#">1030454</a>	LEVER,CHANGE	<a href="#">519</a>	Mechanism Parts	1
<a href="#">1030452</a>	SPURGEAR,26.4	<a href="#">520</a>	Mechanism Parts	1
<a href="#">1030975</a>	SPACER,C-RING	<a href="#">521</a>	Mechanism Parts	2
<a href="#">1032301</a>	SCALLOP SPRING PIN-AW,2X16,F/B	<a href="#">522</a>	Mechanism Parts	1
<a href="#">1030965</a>	COMPRESSION SPRING,0.9	<a href="#">523</a>	Mechanism Parts	1
<a href="#">1030402</a>	SPURGEAR,67.2	<a href="#">524</a>	Mechanism Parts	1
<a href="#">1037094</a>	SPACER,FASTEN,ROLLER,PF	<a href="#">525</a>	Mechanism Parts	1
<a href="#">1037095</a>	SPACER,FASTEN,ROLLER,PF;B	<a href="#">526</a>	Mechanism Parts	1
<a href="#">1296543</a>	C-RING,5103-46,F/UC-3C	<a href="#">527</a>	Mechanism Parts	3
<a href="#">1030967</a>	PLANE WASHER,12.2X0.5X15	<a href="#">528</a>	Mechanism Parts	2
<a href="#">1040586</a>	ROLLER,ASSY.,PAPERJECT	<a href="#">529</a>	Mechanism Parts	1
<a href="#">1030422</a>	BUSHING,6	<a href="#">530</a>	Mechanism Parts	2

www.druckparts.pl

<a href="#">1282417</a>	E-RING,4,F/UC-3C	<a href="#">531</a>	Mechanism Parts	1
<a href="#">1030424</a>	SPURGEAR,36	<a href="#">532</a>	Mechanism Parts	1
<a href="#">1040576</a>	SUPRGEAR,11	<a href="#">533</a>	Mechanism Parts	1
<a href="#">1030971</a>	PLANE WASHER,4.1X0.5X6.5	<a href="#">534</a>	Mechanism Parts	2
<a href="#">1050635</a>	PAPER GUIDE,FRONT;B	<a href="#">535</a>	Mechanism Parts	1
<a href="#">1042582</a>	GROUNDING WIRE,EJ	<a href="#">536</a>	Mechanism Parts	1
<a href="#">1042649</a>	GUIDE,PAPER EJ	<a href="#">537</a>	Mechanism Parts	1
<a href="#">1040574</a>	FRAME, PAPERJECT	<a href="#">538</a>	Mechanism Parts	1
<a href="#">1042338</a>	HOLDER,STAR WHEEL,RIGHT	<a href="#">539</a>	Mechanism Parts	1
<a href="#">1042339</a>	HOLDER,STAR WHEEL,LEFT	<a href="#">540</a>	Mechanism Parts	1
<a href="#">1032723</a>	HOLDER,STARWHEEL,FRONT	<a href="#">541</a>	Mechanism Parts	1
<a href="#">1045223</a>	STARWHEEL ASSY.,8;E	<a href="#">542</a>	Mechanism Parts	20
<a href="#">1033652</a>	STARWHEEL,8;B	<a href="#">543</a>	Mechanism Parts	1
<a href="#">1032244</a>	ROD SPRING,STAR WHEEL	<a href="#">544</a>	Mechanism Parts	14
<a href="#">1030408</a>	PAPER GUIDE,UPPER	<a href="#">545</a>	Mechanism Parts	5
<a href="#">1030414</a>	PAPER GUIDE,LEFT	<a href="#">546</a>	Mechanism Parts	1
<a href="#">1032646</a>	PAPER GUIDE,RIGHT	<a href="#">547</a>	Mechanism Parts	1
<a href="#">1030968</a>	SHAFT,PAPER GUIDE,UPPER	<a href="#">548</a>	Mechanism Parts	6
<a href="#">1030969</a>	SHAFT,ROLLER,DRIVEN	<a href="#">549</a>	Mechanism Parts	1
<a href="#">1038961</a>	ROLLER,DRIVEN;D	<a href="#">550</a>	Mechanism Parts	12
<a href="#">1030956</a>	TORSION SPRING,117.6	<a href="#">551</a>	Mechanism Parts	1
<a href="#">2091058</a>	BOARD ASSY.,PE	<a href="#">552</a>	Mechanism Parts	1
<a href="#">1030411</a>	HOLDER,PE	<a href="#">553</a>	Mechanism Parts	1
<a href="#">1030410</a>	LEVER,PE	<a href="#">554</a>	Mechanism Parts	1
<a href="#">1030958</a>	TORSION SPRING,0.22	<a href="#">555</a>	Mechanism Parts	1
<a href="#">1042648</a>	SHEET,GUIDE PLATE,CABLE	<a href="#">556</a>	Mechanism Parts	1
<a href="#">1040575</a>	GUIDEPLATE,CABLE	<a href="#">557</a>	Mechanism Parts	1
<a href="#">1032719</a>	SHEET,CABLE	<a href="#">558</a>	Mechanism Parts	1
<a href="#">2032842</a>	DETECTOR,HP;E	<a href="#">559</a>	Mechanism Parts	1
<a href="#">1049545</a>	CARRIAGE ASSY.	<a href="#">560</a>	Mechanism Parts	1
<a href="#">1030380</a>	LEVER,ADJUST	<a href="#">561</a>	Mechanism Parts	1
<a href="#">1030381</a>	GROUNDINGPLATE,HEAD	<a href="#">562</a>	Mechanism Parts	1
<a href="#">1030382</a>	OIL PAD	<a href="#">563</a>	Mechanism Parts	1
<a href="#">1030387</a>	SLIDER,CR	<a href="#">564</a>	Mechanism Parts	1
<a href="#">1041884</a>	TIMING BELT	<a href="#">565</a>	Mechanism Parts	1
<a href="#">1066828</a>	SHAFT,CR,GUIDE;ASP	<a href="#">566</a>	Mechanism Parts	1
<a href="#">1031313</a>	PULLEY ASSY.,DRIVEN	<a href="#">567</a>	Mechanism Parts	1
<a href="#">1030955</a>	COMPRESSION SPRING,19.6	<a href="#">569</a>	Mechanism Parts	1
<a href="#">1037577</a>	LEVER,PG	<a href="#">570</a>	Mechanism Parts	1
<a href="#">1030395</a>	LEVER,PG,SUPPORT	<a href="#">571</a>	Mechanism Parts	1
<a href="#">1032240</a>	TORSION SPRING,63.7	<a href="#">572</a>	Mechanism Parts	1
<a href="#">1040653</a>	COMBINATION GEAR 6,34.4	<a href="#">573</a>	Mechanism Parts	1
<a href="#">1040652</a>	COMBINATION GEAR 8,30	<a href="#">574</a>	Mechanism Parts	1
<a href="#">1034669</a>	POROUS PAD,SLIDER,CAP	<a href="#">576</a>	Mechanism Parts	1
<a href="#">1040644</a>	BUSHING,FASTEN,COMBINATION GEAR	<a href="#">577</a>	Mechanism Parts	1
<a href="#">1023219</a>	PUSHING NUT,2	<a href="#">578</a>	Mechanism Parts	1
<a href="#">2028816</a>	HARNESS,HP	<a href="#">579</a>	Mechanism Parts	1
<a href="#">2028815</a>	HARNESS,PE	<a href="#">580</a>	Mechanism Parts	1
<a href="#">1015240</a>	C.C.S.SCREW	<a href="#">586</a>	Mechanism Parts	2
<a href="#">1282370</a>	C.B.S-TITE SCREW,3X6,F/ZN-3C	<a href="#">587</a>	Mechanism Parts	19
<a href="#">1283039</a>	C.B.S-TITE(P4)SCREW2.3X6,F/ZN-3C	<a href="#">588</a>	Mechanism Parts	2
<a href="#">1076289</a>	LEAF SPRING(B101254590)	<a href="#">589</a>	Mechanism Parts	1
<a href="#">1030972</a>	PLANE WASHER,2.6X0.5X8	<a href="#">590</a>	Mechanism Parts	1
<a href="#">2033189</a>	CABLE,HEAD,A	<a href="#">591</a>	Mechanism Parts	1
<a href="#">2033190</a>	CABLE,HEAD,B	<a href="#">592</a>	Mechanism Parts	1
<a href="#">1049546</a>	PLATE,SLIDER,CLEANER	<a href="#">615</a>	Mechanism Parts	1
<a href="#">F077000</a>	PRINT HEAD	<a href="#">700</a>	Mechanism Parts	1
<a href="#">1030383</a>	FASTENER,HEAD	<a href="#">701</a>	Mechanism Parts	1
<a href="#">1030954</a>	TORSION SPRING,49	<a href="#">702</a>	Mechanism Parts	1
<a href="#">1282377</a>	C.B.P-TITE SCREW,3X6,F/ZN-3C	<a href="#">703</a>	Mechanism Parts	4
<a href="#">1051333</a>	HOLDER,CABLE	<a href="#">705</a>	Mechanism Parts	1
<a href="#">1033220</a>	SPACER,CABLE HEAD	<a href="#">706</a>	Mechanism Parts	1
<a href="#">1038244</a>	FRAME,ASF;B	<a href="#">707</a>	Mechanism Parts	1
<a href="#">1040589</a>	HOPPER	<a href="#">708</a>	Mechanism Parts	1

<a href="#">1040590</a>	EDGEGUIDE	<a href="#">709</a>	Mechanism Parts	1
<a href="#">1040606</a>	CORK	<a href="#">710</a>	Mechanism Parts	1
<a href="#">1030429</a>	SLIDER,EDGEGUIDE	<a href="#">711</a>	Mechanism Parts	1
<a href="#">1030960</a>	COMPRESSION SPRING,3.23	<a href="#">712</a>	Mechanism Parts	1
<a href="#">1033016</a>	PAD,BREAK,EDGE GUIDE	<a href="#">713</a>	Mechanism Parts	1
<a href="#">1040645</a>	REINFORCEMENT PLATE,HOPPER	<a href="#">714</a>	Mechanism Parts	1
<a href="#">1040661</a>	PAD ASSY.,RIGHT	<a href="#">716</a>	Mechanism Parts	1
<a href="#">1030450</a>	LEVER,PAD,RELEASE,RIGHT	<a href="#">717</a>	Mechanism Parts	1
<a href="#">1030420</a>	ROD SPRING,HOLDER,PAD	<a href="#">718</a>	Mechanism Parts	2
<a href="#">1040608</a>	HOLDER,EDGEGUIDE,RIGHT	<a href="#">719</a>	Mechanism Parts	1
<a href="#">1036867</a>	COMPRESSION SPRING,1.17	<a href="#">720</a>	Mechanism Parts	2
<a href="#">1036874</a>	EXTENSION SPRING,0.62	<a href="#">721</a>	Mechanism Parts	2
<a href="#">1040595</a>	LEVER,PAPERRETURN,RIGHT	<a href="#">722</a>	Mechanism Parts	1
<a href="#">1040646</a>	EXTENSION SPRING,0.294	<a href="#">723</a>	Mechanism Parts	2
<a href="#">1040596</a>	ROLLER,LD,SUPPORT	<a href="#">724</a>	Mechanism Parts	2
<a href="#">1040648</a>	HOLDER,ROLLER,LD,SUPPORT,RIGHT	<a href="#">725</a>	Mechanism Parts	1
<a href="#">1040660</a>	PAD ASSY.,LEFT	<a href="#">726</a>	Mechanism Parts	1
<a href="#">1030449</a>	LEVER,PAD,RELEASE,LEFT	<a href="#">727</a>	Mechanism Parts	1
<a href="#">1040602</a>	HOLDER,EDGEGUIDE,LEFT	<a href="#">728</a>	Mechanism Parts	1
<a href="#">1040594</a>	LEVER,PAPERRETURN,LEFT	<a href="#">729</a>	Mechanism Parts	1
<a href="#">1040647</a>	HOLDER,ROLLER,LD,SUPPORT,LEFT	<a href="#">730</a>	Mechanism Parts	1
<a href="#">1040658</a>	ROLLER ASSY.,LD,LEFT	<a href="#">731</a>	Mechanism Parts	1
<a href="#">1040659</a>	ROLLER ASSY.,LD,RIGHT	<a href="#">732</a>	Mechanism Parts	1
<a href="#">1040597</a>	COVER,ROLLER,LD,LEFT	<a href="#">733</a>	Mechanism Parts	1
<a href="#">1040598</a>	COVER,ROLLER,LD,RIGHT	<a href="#">734</a>	Mechanism Parts	1
<a href="#">1036868</a>	COMPRESSION SPRING,1.961	<a href="#">735</a>	Mechanism Parts	2
<a href="#">1038211</a>	LEVER,FASTEN,EDGEGUIDE;B	<a href="#">736</a>	Mechanism Parts	2
<a href="#">1030959</a>	EXTENSION SPRING,0.088	<a href="#">737</a>	Mechanism Parts	2
<a href="#">1040601</a>	SHAFT,ROLLER,LD	<a href="#">738</a>	Mechanism Parts	1
<a href="#">1042067</a>	LEVER,HOPPER,RELEASE	<a href="#">739</a>	Mechanism Parts	2
<a href="#">1040607</a>	WHEEL,DETECT	<a href="#">740</a>	Mechanism Parts	1
<a href="#">1030951</a>	LEVER,BRAKE	<a href="#">741</a>	Mechanism Parts	1
<a href="#">1030970</a>	PAD,BREAK	<a href="#">742</a>	Mechanism Parts	1
<a href="#">1030966</a>	TORSION SPRING,41.2	<a href="#">743</a>	Mechanism Parts	1
<a href="#">1030456</a>	BUSHING,FASTEN,SHAFT	<a href="#">744</a>	Mechanism Parts	1
<a href="#">1040599</a>	SHEET,PAPERFEED	<a href="#">745</a>	Mechanism Parts	2
<a href="#">1040600</a>	HOLDER,SHEET,PAPERFEED	<a href="#">746</a>	Mechanism Parts	2
<a href="#">1296960</a>	SHAFT,MOUNT PLATE,CR-3C	<a href="#">747</a>	Mechanism Parts	1
<a href="#">1283039</a>	C.B.S-TITE(P4)SCREW2,3X6,F/ZN-3C	<a href="#">748</a>	Mechanism Parts	1
<a href="#">1040588</a>	SPURGEAR,34	<a href="#">750</a>	Mechanism Parts	1
<a href="#">1030419</a>	PAPERGUIDE,LOWER	<a href="#">751</a>	Mechanism Parts	1
<a href="#">1030372</a>	POROUSPAD,INKEJECT,LARGE	<a href="#">752</a>	Mechanism Parts	2
<a href="#">1030374</a>	TRAY,PORUSPAD	<a href="#">753</a>	Mechanism Parts	1
<a href="#">1040873</a>	SPACER,TRAY	<a href="#">754</a>	Mechanism Parts	1
<a href="#">1031178</a>	BUSHING,FASTEN,SHAFT,LEFT	<a href="#">755</a>	Mechanism Parts	1
<a href="#">1037724</a>	PAPER SUPPORT,SUUPPORT,UPPER	<a href="#">756</a>	Mechanism Parts	1
<a href="#">1042947</a>	HOLDER,PAPER SUPPORT,SUPPORT,UPPER	<a href="#">757</a>	Mechanism Parts	1
<a href="#">1036849</a>	EXTENSION SPRING,0.29	<a href="#">758</a>	Mechanism Parts	1
<a href="#">1053479</a>	COVER,CARTRIDGE,BK;B	<a href="#">759</a>	Mechanism Parts	1
<a href="#">1053484</a>	COVER,CARTRIDGE,C;C	<a href="#">760</a>	Mechanism Parts	1
<a href="#">1030378</a>	SEPARATOR,CARTRIDGE,BK	<a href="#">761</a>	Mechanism Parts	1
<a href="#">1030379</a>	SEPARATOR,CARTRIDGE,C	<a href="#">762</a>	Mechanism Parts	1
<a href="#">2032842</a>	DETECTOR,HP;E	<a href="#">763</a>	Mechanism Parts	1
<a href="#">1043828</a>	CORK;B	<a href="#">764</a>	Mechanism Parts	1
<a href="#">1051307</a>	CLEANER,HEAD,ASP	<a href="#">765</a>	Mechanism Parts	1
<a href="#">1043979</a>	ASF UNIT;C	<a href="#">766</a>	Mechanism Parts	1
<a href="#">1044755</a>	SPACER,TRAY,POROUSPAD	<a href="#">769</a>	Mechanism Parts	1
<a href="#">2028817</a>	HARNESS,ASF	<a href="#">772</a>	Mechanism Parts	1
<a href="#">1052542</a>	SPACER,COVERCARTRIDGE;B	<a href="#">776</a>	Mechanism Parts	4
<a href="#">5009700</a>	PAD,ACCESSORY	<a href="#">4</a>	Packing Material	1
<a href="#">5012392</a>	PLASTIC PROTECTIVE BAG(X680634010)	<a href="#">5</a>	Packing Material	1
<a href="#">1049585</a>	SPECIAL COATED PAPER,005,OVERSEAS	<a href="#">NON FIG</a>	Packing Material	1
<a href="#">1264095</a>	I/C WITHOUT INDIVIDUAL BOX,B,OVERSEAS,AS,375B2	<a href="#">NON FIG</a>	Packing Material	1
<a href="#">1264097</a>	I/C WITHOUT INDIVIDUAL BOX,C,OVERSEAS,AS,37502	<a href="#">NON FIG</a>	Packing Material	1



<a href="#">4010434</a>	SUPPLEMENT	<a href="#">NON FIG</a>	Packing Material	1	
<a href="#">4011698</a>	UNPACKING SHEET	<a href="#">NON FIG</a>	Packing Material	1	FOR EUL
<a href="#">4011699</a>	SETTING UP MANUAL	<a href="#">NON FIG</a>	Packing Material	1	FOR EUL
<a href="#">4011700</a>	USER'S GUIDE	<a href="#">NON FIG</a>	Packing Material	1	FOR EUL
<a href="#">4011732</a>	USER'S GUIDE	<a href="#">NON FIG</a>	Packing Material	1	FOR EUL
<a href="#">2035724</a>	BOARD ASSY., POWER SUPPLY	<a href="#">300</a>	Power Supply	1	
<a href="#">6022796</a>	Shipping Liquid,S46,18kg	<a href="#">NON FIG</a>	Tools	1	
<a href="#">6022804</a>	Shipping Liquid,S46,1kg	<a href="#">NON FIG</a>	Tools	1	
Part Code		Ref No.			
(Link to Part Infor Part Name		to Exploded Diagi	Category	Qty	Remark

[www.drukparts.pl](http://www.drukparts.pl)