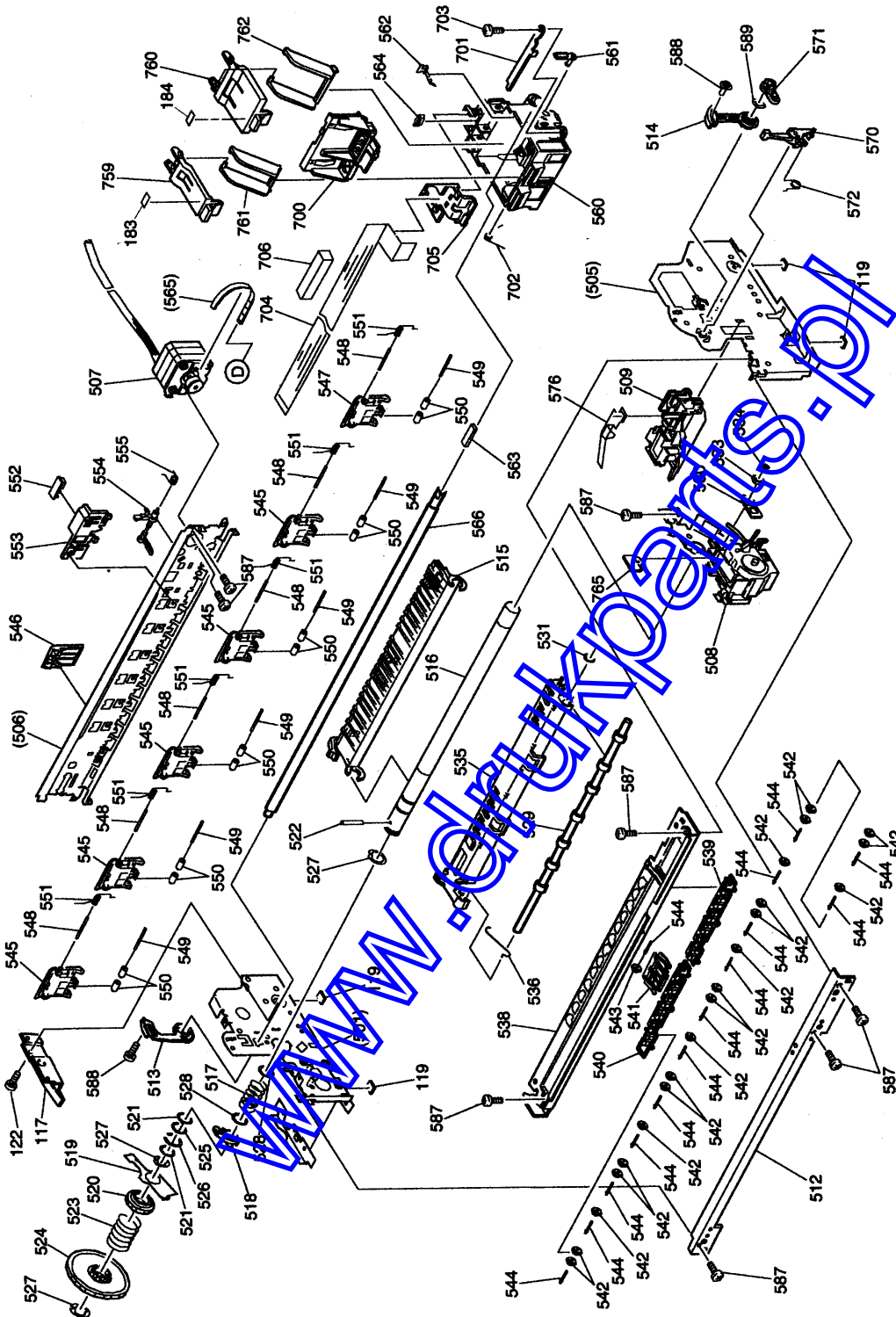


EPSON STYLUS COLOR 640

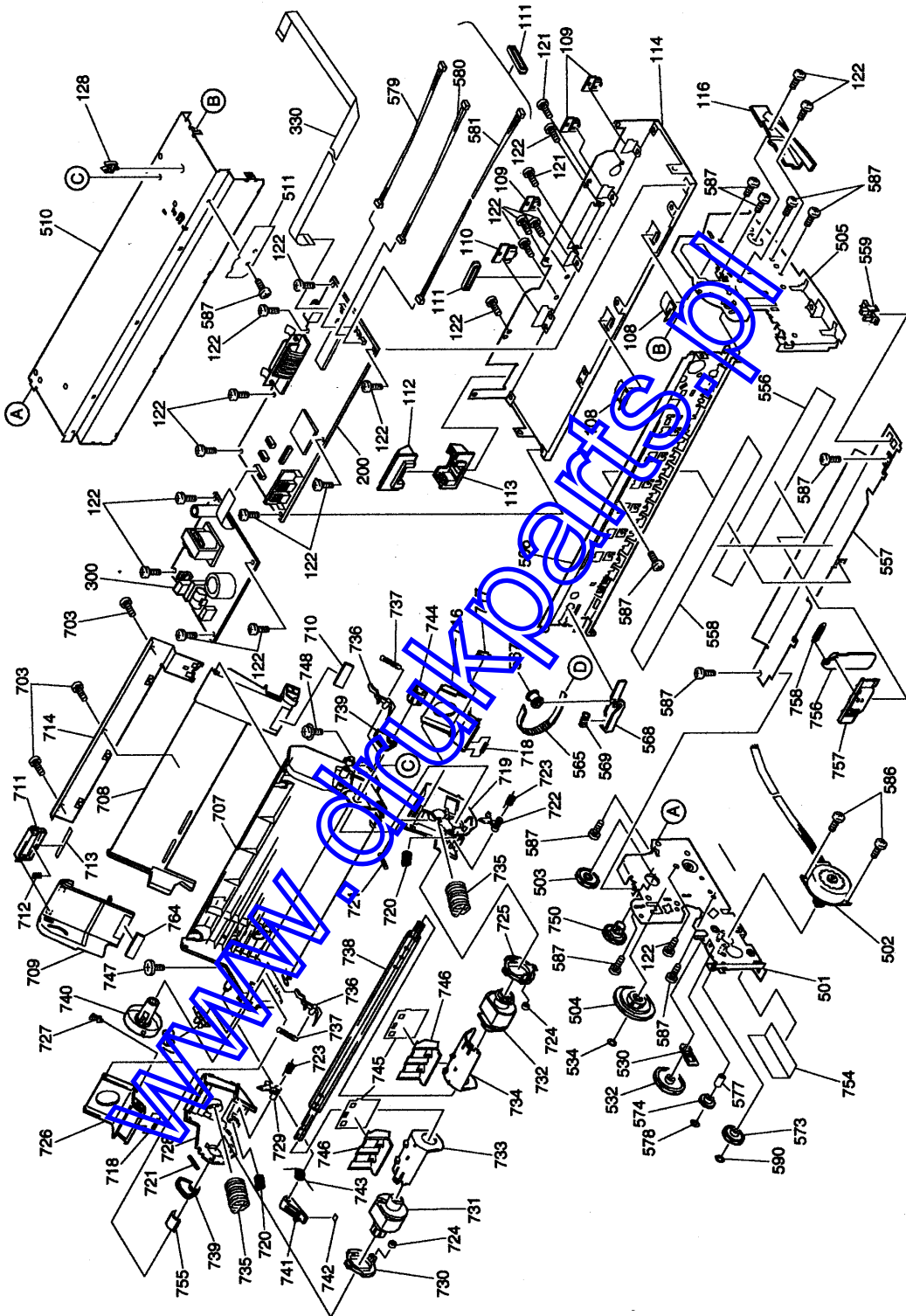
Page 8



EXPLODED DIAGRAM FOR EPSON STYLUS COLOR 640 (3/3) REV.1.0

EPSON STYLUS COLOR 640

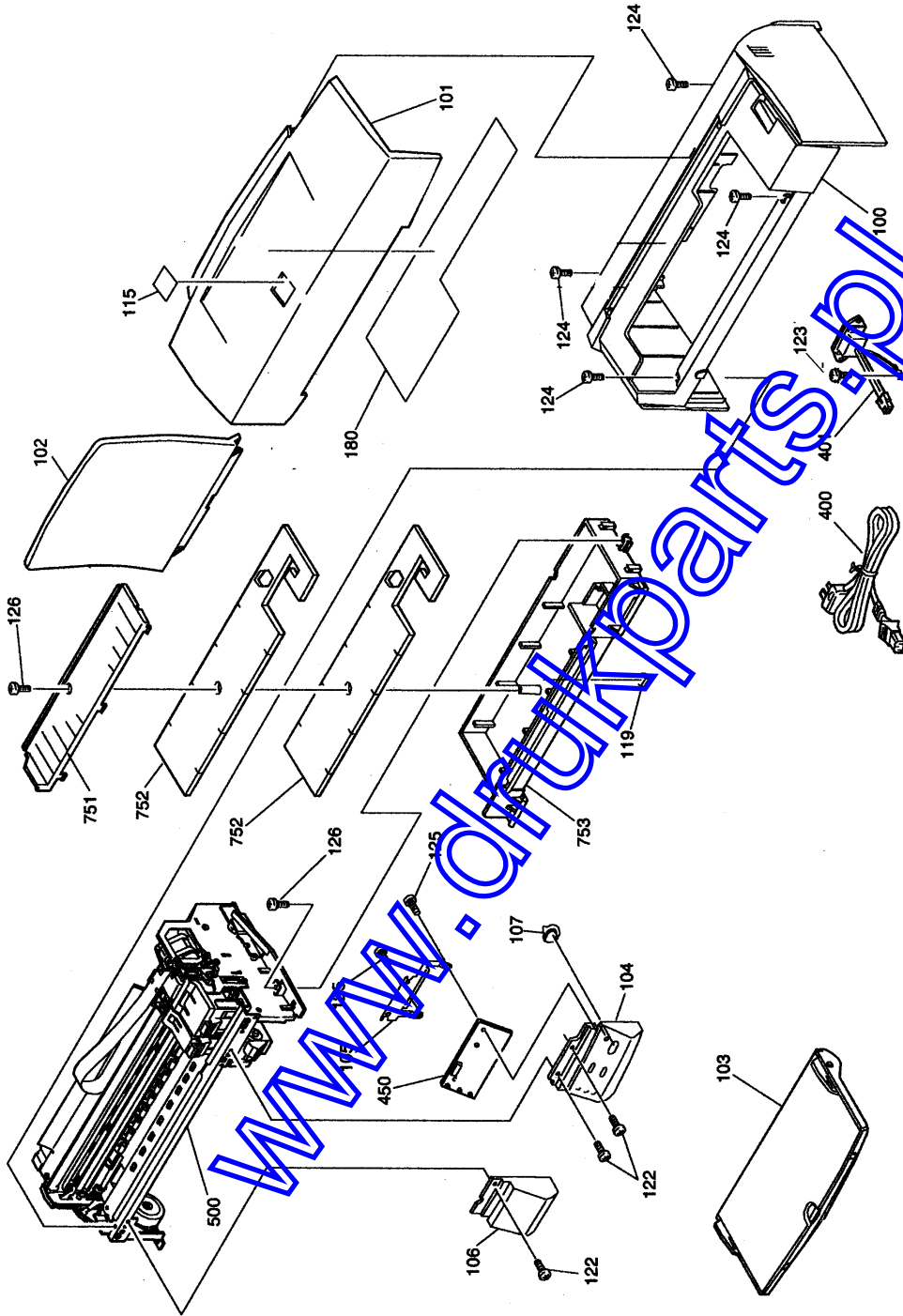
Page 7



EXPLODED DIAGRAM FOR EPSON STYLUS COLOR 640 (2/3) REV.1.0 10002

EPSON STYLUS COLOR 640

Page 6



EXPLODED DIAGRAM FOR EPSON STYLUS COLOR 640 (1/3) REV.1.0 10002

EPSON STYLUS COLOR 640

Page 4

REF.	PART NO.	DESCRIPTION	QTY
589	B101254590	LEAF SPRING	1
590	1030972	PLAIN WASHER, 2.6X0.5X8	1
700	F059000	PRINT HEAD, IJ160-0A0 KIT - F059000-D	1
701	1030383	FASTENER, HEAD	1
702	1030954	TORSION SPRING, 49	1
703	1024130	C.B.P-TITE SCREW, 3X6, F/ZN	4
704	2023353	CABLE, HEAD	1
705	1030386	HOLDER, CABLE	1
706	1033220	SPACER, CABLE HEAD	1
707	1038244	FRAME, ASF; B	1
708	1040589	HOPPER	1
709	1040590	EDGE GUIDE	1
710	1040606	CORK	1
711	1030429	SLIDER, EDGE GUIDE	1
712	1030960	COMPRESSION SPRING, 3.23	1
713	1033016	PAD, BRAKE EDGE GUIDE	1
714	1040645	REINFORCEMENT PLATE, HOPPER	1
716	1040661	PAD ASSY., RIGHT	1
717	1030450	LEVER, PAD, RELEASE, RIGHT	1
718	1030420	ROD SPRING, HOLDER, PAD	2
719	1040608	HOLDER, EDGE GUIDE, RIGHT	1
720	1036867	COMPRESSION SPRING, 1.17	2
721	1036874	EXTENSION SPRING, 0.62	2
722	1040595	LEVER, PAPER RETURN, RIGHT	1
723	1040646	EXTENSION SPRING, 0.294	2
724	1040596	ROLLER, LD, SUPPORT	2
725	1040648	HOLDER, ROLLER, LD, SUPPORT, RIGHT	1
726	1040660	PAD ASSY., LEFT	1
727	1030449	LEVER, PAD, RELEASE, LEFT	1
728	1040602	HOLDER, EDGE GUIDE, LEFT	1
729	1040594	LEVER, PAPER RETURN, LEFT	1
730	1040647	HOLDER, ROLLER, LD, SUPPORT, LEFT	1
731	1040658	ROLLER ASSY., LD, LEFT	1
732	1040659	ROLLER ASSY., LD, RIGHT	1
733	1040597	COVER, ROLLER, LD, LEFT	1
734	1040598	COVER, ROLLER, LD, RIGHT	1
735	1036868	COMPRESSION SPRING, 1.961	2
736	1038211	LEVER, FASTEN, EDGE GUIDE B	2
737	1030959	EXTENSION SPRING, 0.088	2
738	1040601	SHAFT, ROLLER, LD	1
739	1042067	LEVER, HOPPER RELEASE	2
740	1040607	WHEEL, DETENT	1
741	1030951	LEVER, BRAKE	1
742	1030970	PAD, BRAKE	1
743	1030966	TORSION SPRING, 41.2	1
744	1030456	BUSHING, FASTEN, SHAFT	1
745	1040599	SHEET, PAPER FEED	2
746	1040600	HOLDER, SHEET, PAPER FEED	2
747	1005416	SHAFT, MOUNT, CR	1
748	1032300	C.P.S-TITE(P4), 3X6, F/ZN	1
750	1040588	SPUR GEAR, 34	1
751	1030419	PAPER GUIDE, LOWER	1
752	1030372	POROUS PAD, INK EJECT, LARGE	2
753	1030374	TRAY, POROUS PAD	1
754	1040873	SPACER, TRAY	1

EPSON STYLUS COLOR 640

Page 3

REF.	PART NO.	DESCRIPTION	QTY
527	1031164	C-RING	3
528	1030967	PLAIN WASHER, 12.2X0.5X15	2
529	1040586	ROLLER, ASSY., PAPER EJECT	1
530	1030422	BUSHING, 6	2
531	B150300711	RETAINING RING	1
532	1030424	SPUR GEAR, 36	1
533	1040576	SPUR GEAR, 11	1
534	1030971	PLAIN WASHER, 4.1X0.5X6.5	2
535	1040585	PAPER GUIDE, FRONT	1
536	1042582	GROUNDING WIRE, EJ	1
538	1040574	FRAME, PAPER EJECT	1
539	1042338	HOLDER, STAR WHEEL, RIGHT	1
540	1042339	HOLDER, STAR WHEEL, LEFT	1
541	1032723	HOLDER, STARWHEEL, FRONT	1
542	1030415	STAR WHEEL ASSY., 8 (NATURAL)	20
543	1033652	STAR WHEEL, 8; B	1
544	1032244	ROD SPRING, STAR WHEEL	14
545	1030408	PAPER GUIDE, UPPER	5
546	1032646	PAPER GUIDE, RIGHT	1
547	1030414	PAPER GUIDE, LEFT	1
548	1030968	SHAFT, PAPER GUIDE, UPPER	6
549	1030969	SHAFT, ROLLER, DRIVEN	6
550	1038961	ROLLER, DRIVEN; D	12
551	1030956	TORSION SPRING, 117.6	6
552	2022329	CIRCUIT ASSY, PE	1
553	1030411	HOLDER, PE	1
554	1030410	LEVER, PE	1
555	1030958	TORSION SPRING, 0.22	1
556	1042648	SHEET, GUIDE PLATE, CABLE	1
557	1040575	GUIDE PLATE, CABLE	1
558	1032719	SHEET, CABLE	1
559	2021854	DETECTOR, HP	1
560	1032426	CARRIAGE ASSY.	1
561	1030380	LEVER, ADJUST	1
562	1030381	GROUNDING PLATE, HEAD	1
563	1030382	OIL PAD	1
564	1030387	SLIDER, CP	1
565	1041884	TIMING BELT	1
566	1030391	SHAFT, CR, GUIDE	1
567	1031313	PULLEY ASSY., DRIVEN	1
568	1030389	ROLLER, PULLEY, DRIVEN	1
569	1030955	COMPRESSION SPRING, 19.6	1
570	1037577	LEVER, PG	1
571	1030395	LEVER, PG, SUPPORT	1
572	1032240	TORSION SPRING, 63.7	1
573	1040653	COMBINATION GEAR 6, 34.4	1
574	1040652	COMBINATION GEAR 8, 30	1
576	1034669	POROUS PAD, SLIDER, CAP	1
577	1040644	BUSHING, FASTEN, COMBINATION GEAR	1
578	1023219	PUSHING NUT, 2	1
579	2028816	HARNESS, HP	1
580	2028815	HARNESS, PE	1
581	2028817	HARNESS, ASF	1
586	1015240	C.C.S.SCREW	2
587	B300204211	C.B.S. SCREW	19
588	1032300	C.P.S-TITE(P4), 3X6, F/ZN	2

EPSON STYLUS COLOR 640

Page 2

REF.	PART NO.	DESCRIPTION	QTY
D4	2014230	DIODE	1
F1	X502036070	FUSE	1
IC1	2023322	MICRO CONTROLLER, TMP95C061BF	1
IC10	2024977	TIMER IC	1
IC11	2014681	EEPROM, AT93C46-10SC	1
IC14	2017973	HIC	1
IC2	2026760	GATE ARRAY	1
IC3	X630114030	IC SOCKET	1
IC5	2023181	D-RAM	1
IC7	2026633	HIC, H8D2813E	1
IC9	2024507	RESET IC, M62030FP	1
Q1	2019965	TRANSISTOR	1
Q7	1040157	HEAT SINK	1
Q7	2024208	TRANSISTOR	1
Q8	1040157	HEAT SINK	1
Q9	1040157	HEAT SINK	1
Q9	2024209	TRANSISTOR	1
R166	2006289	CHIP RESISTOR	1
R167	2006289	CHIP RESISTOR	1
R22	X193211012	CHIP RESISTOR	1
R53	X193211012	CHIP RESISTOR	1
R84	2024308	METAL FILM RESISTOR	1
R93	2024307	METAL FILM RESISTOR	1
300	2025775	BOARD ASSY., POWER SUPPLY	1
330	2023343	WIRE HARNESS	1
400	2006741	POWER CABLE, BS31303SA-SR-10A	1
401	2018028	HARNESS	1
450	2023066	BOARD ASSY., PANEL	1
500	2028550	PRINTER MECHANISM(ASP) M4L10-100	1
501	1040655	FRAME ASSY., LEFT	1
502	2028086	MOTOR ASSY., PF	1
503	1039368	SPUR GEAR, 23.2	1
504	1030453	COMBINATIONGEAR, 16, 40.8	1
505	1030343	FRAME, RIGHT	1
506	1040571	FRAME, TOP	1
507	1031323	MOTOR ASSY, CR	1
508	1040515	PUMP ASSY.	1
509	1042881	CAP ASSY.	1
510	1030345	FRAME, BOTTOM	1
511	1032969	SHEET, PROTECTIVE, HEAD	1
512	1030344	FRAME, FRONT	1
513	1030392	BUSHING, PARALLELISM ADJUST, LEFT	1
514	1030393	BUSHING, PARALLELISM ADJUST, RIGHT	1
515	1030417	PAPER GUIDE, REAR	1
516	1041663	ROLLER, PF	1
517	1030957	COMPRESSION SPRING, 5.85	1
518	1037093	BUSHING, 12, LEFT	1
519	1030454	LEVER, CHANGE	1
520	1030452	SPUR GEAR, 26.4	1
521	1030975	SPACER, C-RING	2
522	1032301	SCALLOP SPRING PIN-AW, 2X16, F/B	1
523	1030965	COMPRESSION SPRING, 0.9	1
524	1030402	SPUR GEAR, 67.2	1
525	1037094	SPACER, FASTEN, ROLLER, PF	1
526	1037095	SPACER, FASTEN, ROLLER, PF; B	1

EPSON STYLUS COLOR 640

(INCLUDES DETAILS OF NEWLY-AVAILABLE PRINT-HEAD KITS)

Page 1

SHADED ROWS INDICATE MAJOR ITEMS

REF.	PART NO.	DESCRIPTION	QTY
100	1039820	HOUSING; B	1
101	1039830	COVER, PRINTER; B	1
102	1040615	PAPER SUPPORT; B	1
103	1039828	STACKER ASSY.; B	1
104	1039829	PANEL ASSY., RIGHT; B	1
105	1030603	SHIELD PLATE, PANEL	1
106	1039827	HOUSING, PANEL, LEFT; B	1
107	1037312	BUTTON, P/S; B	1
108	1030669	GROUNDING PLATE	2
109	1030609	COVER, SHIELD PLATE, M/B, RIGHT	3
110	1030610	COVER, SHIELD PLATE, M/B, LEFT	1
111	1030608	COVER, CABLE	2
112	1037313	COVER, INLET, UPPER; B	1
113	1037314	COVER, INLET, LOWER; B	1
114	1032587	SHIELD PLATE, M/B; C	1
115	1041678	LOGO PLATE	1
116	1038233	HOUSING, SUPPORT, RIGHT; B	1
117	1038234	HOUSING, SUPPORT, LEFT; B	1
119	1033230	FOOT	5
121	B010103311	C.P.SCREW	2
122	B300204211	C.B.S. SCREW	23
123	1032538	C.B.(O) SCREW, 4X5, F/ZG	1
124	B300204411	C.B.S. SCREW	4
125	1005019	C.B.P-TITE SCREW, 3X8, F/ZN	3
126	1012350	C.B.P-TITE, 3X10, F/ZN	2
128	1031165	MINI CLAMP	1
180	1041680	LABEL CAUTION 1; B	1
183	1037833	LABEL LEVER CART. BLACK	1
184	1037835	LABEL LEVER CART. CYAN/BLUE	1
200	2027863	BOARD ASSY., MAIN	1
IC3	2029011	EP-ROM, TDZ00	1
BAT1	2027639	BATTERY HOLDER	1
BAT1	X505000700	LITHIUM BATTERY	1
BAT1	Y502002001	SPONGE TAPE	1
C15	2004332	ELECTROLYTIC CAPACITOR	1
C16	2023447	ALUMINIUM ELECTROLYTIC CAPACITOR	1
C27	2023050	ALUMINIUM ELECTROLYTIC CAPACITOR	1
C42	2023447	ALUMINIUM ELECTROLYTIC CAPACITOR	1
C59	2023447	ALUMINIUM ELECTROLYTIC CAPACITOR	1
C65	2004332	ELECTROLYTIC CAPACITOR	1
C66	2004332	ELECTROLYTIC CAPACITOR	1
CN1	2013284	CONNECTOR 57RE-40360-830B(D7B)	1
CN10	2005704	CONNECTOR	1
CN11	2007079	PHOTO MICROSENSOR	1
CN3	2023034	CONNECTOR	1
CN4	2022864	CONNECTOR	1
CN5	X600440310	CONNECTOR	1
CN6	2017936	CONNECTOR	1
CN7	2017936	CONNECTOR	1
CN8	2023336	CONNECTOR	1
CR1	2021879	CERAMIC OSCILLATOR	1
CR2	2023326	CERAMIC OSCILLATOR	1
CR3	2023154	QUARTZ OSCILLATOR	1
D1	2002872	DIODE	1
D2	2014230	DIODE	1