

EPSON STYLUS COLOR 460

Page 1

REF	PART NO	DESCRIPTION	SPEC	QTY
100	1039820	HOUSING;B		1
101	1039821	COVER,PRINTER;B		1
102	1040615	PAPER SUPPORT;B		1
103	1039828	STACKER ASSY.;B		1
104	1039829	PANEL ASSY.,RIGHT;B		1
105	1030603	SHIELD PLATE,PANEL		1
106	1039827	HOUSING,PANEL,LEFT;B		1
107	1037312	BUTTON,P/S;B		1
108	1030669	GROUNDING PLATE		2
110	1030610	COVER,SHIELD PLATE,M/B,LEFT		1
111	1030608	COVER,CABLE		2
112	1037313	COVER,INLET,UPPER;B		1
113	1037314	COVER,INLET,LOWER;B		1
114	1032587	SHIELD PLATE,M/B;C		1
115	1049132	LOGO PLATE;C		1
116	1038233	HOUSING,SUPPORT,RIGHT;B		1
117	1038234	HOUSING,SUPPORT,LEFT;B		1
119	1033230	FOOT		4
121	B010103311	C.P.SCREW	M3X6	2
122	B300204211	C.B.S. SCREW	M3X	23
123	1032538	C.B.(O) SCREW,4X5,F/ZG		1
124	B300204411	C.B.S. SCREW	M3X10	4
125	1005019	C.B.P-TITE SCREW,3X8,F/ZN	M3X8 FZN	2
126	1012350	C.B.P-TITE,3X10,F/ZN		2
128	1031165	MINI CLAMP		1
180	1041680	LABEL,CAUTION 1;B		1
183	1037833	LABEL,LEVER CARTRIDGE,BLACK		1
184	1037835	LABEL,LEVER CARTRIDGE,COLOUR		1
200	2032128	BOARD ASSY.,MAIN		1
300	2025775	BOARD ASSY.,POWER SUPPLY	220V/240V	1
330	2023343	WIRE HARNESS		1
400	2006741	POWER CABLE,BS31303SA-SR-10A	240V	1
401	2018028	HARNESS	220V/230V/240V	1
450	2023066	BOARD ASSY.,PANEL		1
500	2028550	PRINTER MECHANISM(ASP)M4110-100		1
501	1040655	FRAME ASSY.,LEFT		1
502	2028086	MOTOR ASSY.,PF		1
503	1039368	SPUR GEAR,23		1
504	1030453	COMBINATION GEAR,16/40/8		1
505	1030343	FRAME,RIGHT		1
506	1040571	FRAME, TOP		1
507	1031323	MOTOR ASSY,CR	DC42V/0.46A/19.3W SM	1
508	1040515	PUMP ASSY.		1
509	1044903	CAP ASSY.,M		1
510	1030345	FRAME, BOTTOM		1
511	1032969	SHEET PROTECTION,HEAD		1
512	1030344	FRAME, LEFT		1
513	1030392	BUSHING,PARALLELISM ADJUST,LEFT		1
514	1030393	BUSHING,PARALLELISM ADJUST,RIGHT		1
515	1030417	PAPER GUIDE,REAR		1
516	1041663	ROLLER,PF		1
517	1030957	COMPRESSION SPRING,5.85		1
518	1037093	BUSHING,12,LEFT		1
519	1036454	LEVER,CHANGE		1
520	1030452	SPUR GEAR,26.4		1
521	1030975	SPACER,C-RING		2
522	1032301	SCALLOP SPRING PIN-AW,2X16,F/B		1
523	1030965	COMPRESSION SPRING,0.9		1
524	1030402	SPUR GEAR,67.2		1
525	1037094	SPACER,FASTEN,ROLLER,PF		1
526	1037095	SPACER,FASTEN,ROLLER,PF;B		1
527	1031164	C-RING		3
528	1030967	PLAIN WASHER,12.2X0.5X15		2
529	1040586	ROLLER,ASSY.,PAPER EJECT		1
530	1030422	BUSHING,6		2
531	B150300711	RETAINING RING	TYPE-E(4)	1
532	1030424	SPUR GEAR,36		1
533	1040576	SPUR GEAR,11		1
534	1030971	PLAIN WASHER,4.1X0.5X6.5		2

EPSON

STYLUS COLOR 460

Page 2

REF	PART NO	DESCRIPTION	SPEC	QTY
535	1040585	PAPER GUIDE,FRONT		1
536	1042582	GROUNDING WIRE,EJ		1
537	1042649	GUIDE,PAPER EJ		1
538	1040574	FRAME, PAPER/EJECT		1
539	1042338	HOLDER,STAR WHEEL,RIGHT		1
540	1042339	HOLDER,STAR WHEEL,LEFT		1
541	1032723	HOLDER,STARWHEEL,FRONT		1
542	1045223	STARWHEEL ASSY.,8;E		20
543	1033652	STAR WHEEL,8;B		1
544	1032244	ROD SPRING,STAR WHEEL		14
545	1030408	PAPER GUIDE,UPPER		5
546	1030414	PAPER GUIDE,LEFT		1
547	1032646	PAPER GUIDE,RIGHT		1
548	1030968	SHAFT,PAPER GUIDE,UPPER		6
549	1030969	SHAFT,ROLLER,DRIVEN		6
550	1038961	ROLLER,DRIVEN;D		12
551	1030956	TORSION SPRING,117.6		6
552	2022329	CIRCUIT ASSY,PE		1
553	1030411	HOLDER,PE		1
554	1030410	LEVER,PE		1
555	1030958	TORSION SPRING,0.22		1
556	1042648	SHEET,GUIDE PLATE,CABLE		1
557	1040575	GUIDE PLATE,CABLE		1
558	1032719	SHEET,CABLE		1
559	2021854	DETECTOR,HP	4V,50MA,100MM	1
560	1032426	CARRIAGE ASSY.		1
561	1030380	LEVER,ADJUST		1
562	1030381	GROUNDING PLATE,HEAD		1
563	1030382	OIL PAD		1
564	1030387	SLIDER,CR		1
565	1041884	TIMING BELT		1
566	1030391	SHAFT,CR,GUIDE		1
567	1031313	PULLEY ASSY.,DRIVEN		1
568	1030389	HOLDER,PULLEY,DRIVEN		1
569	1030955	COMPRESSION SPRING,19.6		1
570	1037577	LEVER,PG		1
571	1030395	LEVER,PG,SUPPORT		1
572	1032240	TORSION SPRING,63.7		1
573	1040653	COMBINATION GEAR 6,34.4		1
574	1040652	COMBINATION GEAR 8,30		1
576	1034669	POROUS PAD,SLIDER,CAP		1
577	1040644	BUSHING,FASTEN,COMBINATION GEAR		1
578	1023219	PUSHING NUT,2		1
579	2028816	HARNES,HP		1
580	2028815	HARNES,PE		1
581	2028817	HARNES,ASF		1
586	1015240	C.C.S.SCREW		2
587	B300204211	C.B.S. SCREW	M3X6	19
588	1032300	C.P.S-TITE(PAPER)F/ZN		2
589	B101254590	LEAF SPRING	6.2X0.15X11	1
590	1030972	PLANE WASH SPR,2.6X0.5X8		1
700	F058000	PRINT HEAD,107-0A0		1
701	1030383	FASTENER,HEAD		1
702	1030954	TORSION SPRING,49		1
703	1024130	C.B.P-TITE SCREW,3 X6,F/ZN		4
704	2025569	CABLE,HEAD		1
705	1030386	HOLDER,CABLE		1
706	1033220	SPACER,CABLE HEAD		1
707	1038244	FRAME,ASF;B		1
708	1040589	HOPPER		1
709	1040590	EDGEGUIDE		1
710	1040606	CORK		1
711	1030429	SLIDER,EDGEGUIDE		1
712	1030960	COMPRESSION SPRING,3.23		1
713	1033016	PAD, BRAKE ,EDGE GUIDE		1
714	1040645	REINFORCEMENT PLATE,HOPPER		1
716	1040661	PAD ASSY.,RIGHT		1
717	1030450	LEVER,PAD,RELEASE,RIGHT		1

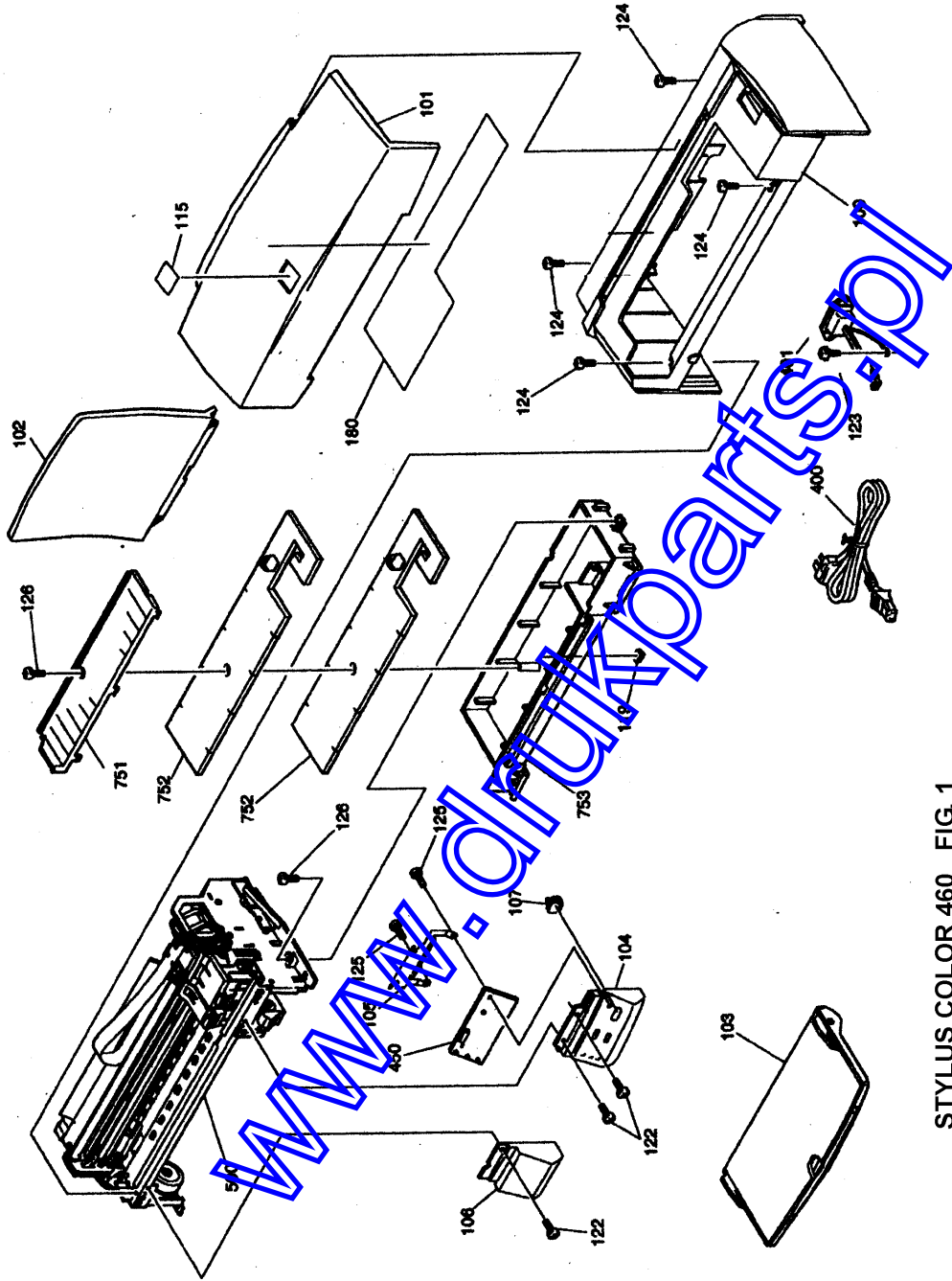
EPSON STYLUS COLOR 460

Page 3

REF	PART NO	DESCRIPTION	SPEC	QTY
718	1030420	ROD SPRING,HOLDER,PAD		2
719	1040608	HOLDER,EDGEGUIDE,RIGHT		1
720	1036867	COMPRESSION SPRING,1.17		2
721	1036874	EXTENSION SPRING,0.62		2
722	1040595	LEVER,PAPERRETURN,RIGHT		1
723	1040646	EXTENSION SPRING,0.294		2
724	1040596	ROLLER,LD,SUPPORT		2
725	1040648	HOLDER,ROLLER,LD,SUPPORT,RIGHT		1
726	1040660	PAD ASSY.,LEFT		1
727	1030449	LEVER,PAD,RELEASE,LEFT		1
728	1040602	HOLDER,EDGE GUIDE,LEFT		1
729	1040594	LEVER,PAPER RETURN,LEFT		1
730	1040647	HOLDER,ROLLER,LD,SUPPORT,LEFT		1
731	1040658	ROLLER ASSY.,LD,LEFT		1
732	1040659	ROLLER ASSY.,LD,RIGHT		1
733	1040597	COVER,ROLLER,LD,LEFT		1
734	1040598	COVER,ROLLER,LD,RIGHT		1
735	1036868	COMPRESSION SPRING,1.961		2
736	1038211	LEVER,FASTEN,EDGE GUIDE;B		2
737	1030959	EXTENSION SPRING,0.088		2
738	1040601	SHAFT,ROLLER,LD		1
739	1042067	LEVER,HOPPER,RELEASE		2
740	1040607	WHEEL,DETECT		1
741	1030951	LEVER,BRAKE		1
742	1030970	PAD,BREAK		1
743	1030966	TORSION SPRING,41.2		1
744	1030456	BUSHING,FASTEN,SHAFT		1
745	1040599	SHEET,PAPERFEED		2
746	1040600	HOLDER,SHEET,PAPERFEED		2
747	1005416	SHAFT,MOUNT,CR		1
748	1032300	C.P.S-TITE(P4),3X6,F/ZN		1
750	1040588	SPURGEAR,34		1
751	1030419	PAPERGUIDE,LOWER		1
752	1030372	POROUSPAD,INJECT,LARGE		2
753	1030374	TRAY,PORUSPAD		1
754	1040873	SPACER,TRAY		1
755	1031178	BUSHING,FASTEN,SHAFT,LEFT		1
756	1037724	PAPER SUPPORT,SUPPORT,UPPER		1
757	1042947	HOLDER,PAPER SUPPORT,SUPPORT,UPPER		1
758	1036849	EXTENSION SPRING,0.		1
759	1037575	COVER CARTRIDGE,B		1
760	1040656	COVER,CARTRIDGE,C;B		1
761	1030378	SEPARATOR,CARTRIDGE,BK		1
762	1030379	SEPARATOR,CARTRIDGE,C		1
763	2021854	DETECT,HP	4V,50MA,100MW,	1
764	1043828	COVER,C		1
765	1034969	CLEVER,HEAD,ASP		1
766	1043979	COVER,C		1
771	1045092	HOLDER ASSY.,STAR WHEEL,RIGHT,ASP		1
772	1045093	HOLDER ASSY.,STAR WHEEL,LEFT,ASP		1
1	5009016	INDIVIDUAL CARTON BOX FOR EUROPE		1
3	5007240	PAD SET,PRINTER		1
4	5007245	PAD,ACCESSORY		1
5	X680634010	PLASTIC PROTECTIVE BAG	440X730X0.04	1
N/A	1041471	INK CARTRIDGE,B,AS		1
N/A	1041473	INK CARTRIDGE,C,AS		1
N/A	1041888	SPECIAL COATED PAPER,T,OVERSEAS		1
N/A	3002782	SOFTWARE CD-ROM,E		1
N/A	3002788	APPLICATION CD-ROM,M		1
N/A	4010434	SUPPLEMENT		1
N/A	4010614	UNPACKING SHEET		1
N/A	4010736	SETTING UP MANUAL		1
N/A	4010737	USER'S GUIDE		1

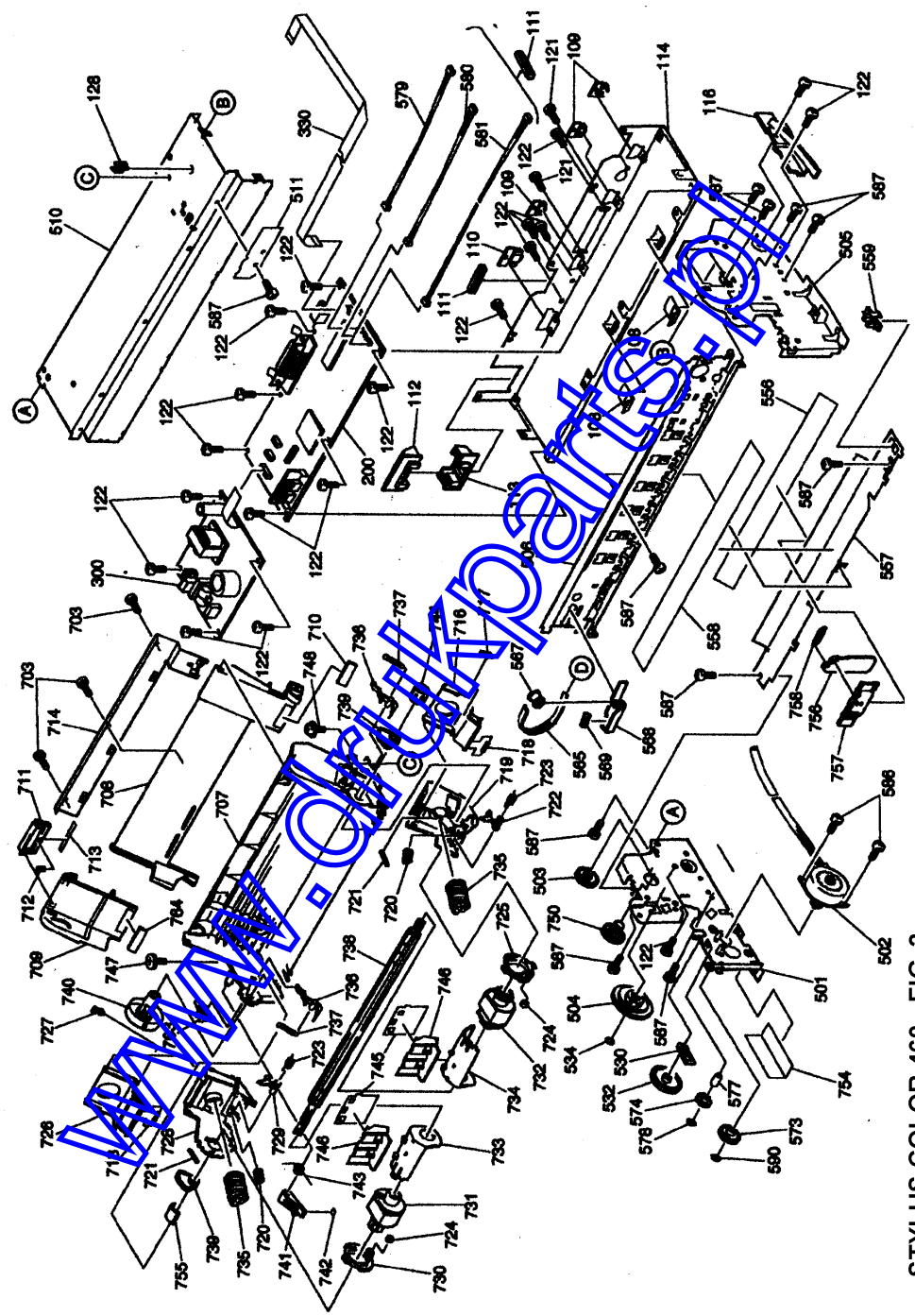
EPSON STYLUS COLOR 460

Page 4



STYLUS COLOR 460 FIG. 1

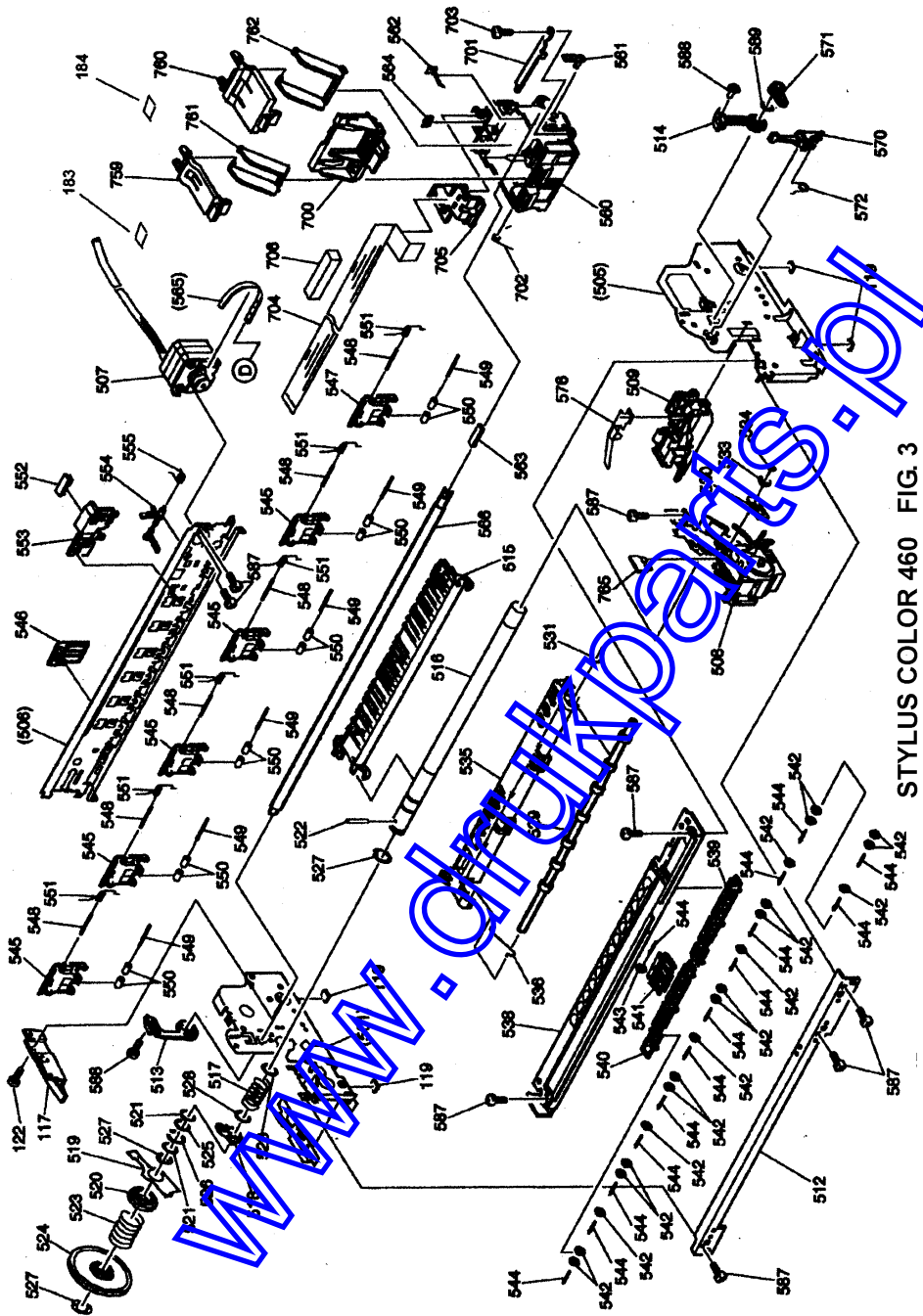
EPSON STYLUS COLOR 460



STYLUS COLOR 460 FIG. 2

EPSON STYLUS COLOR 460

Page 6



STYLUS COLOR 460 FIG. 3