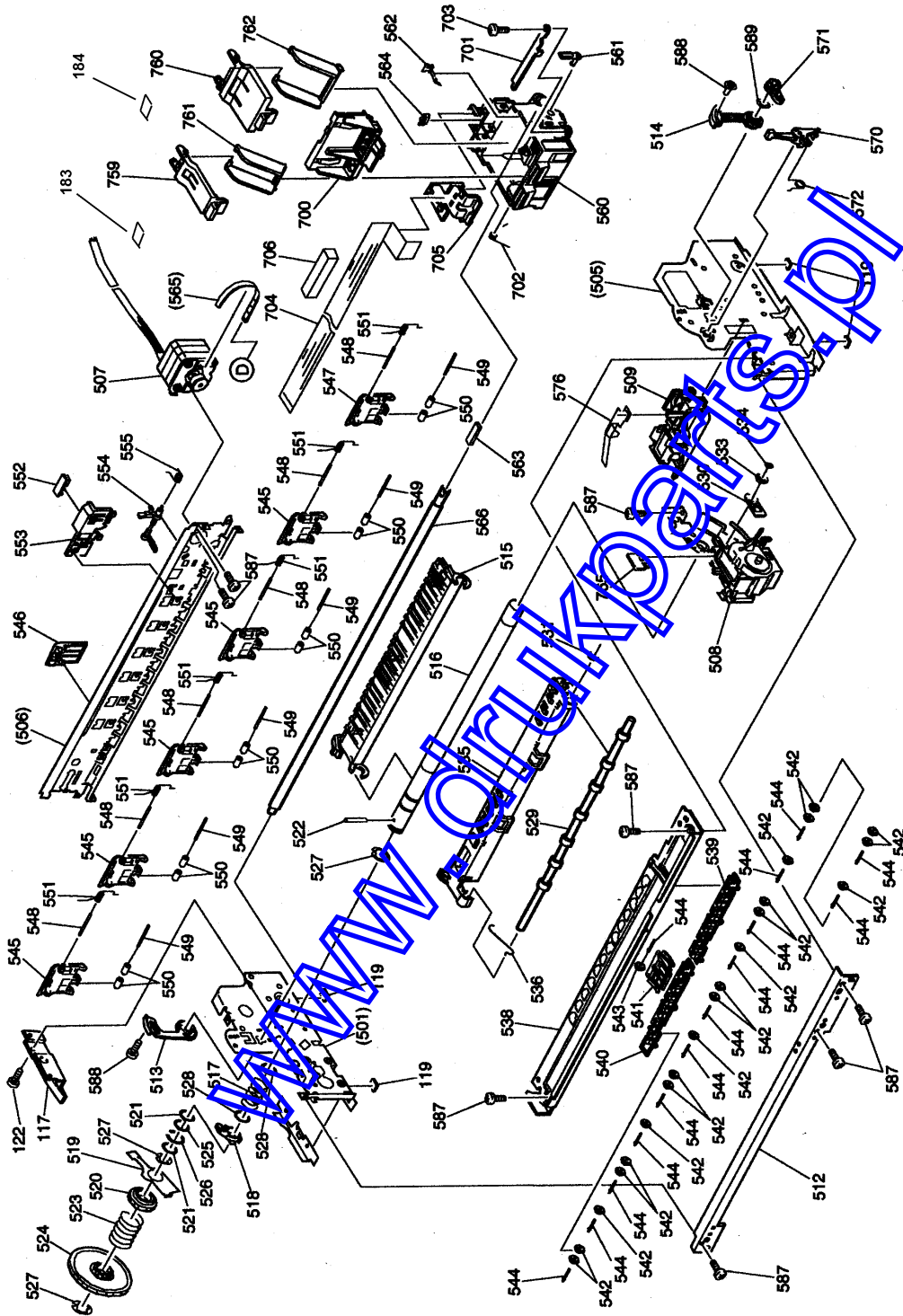


EPSON STYLUS COLOR 440

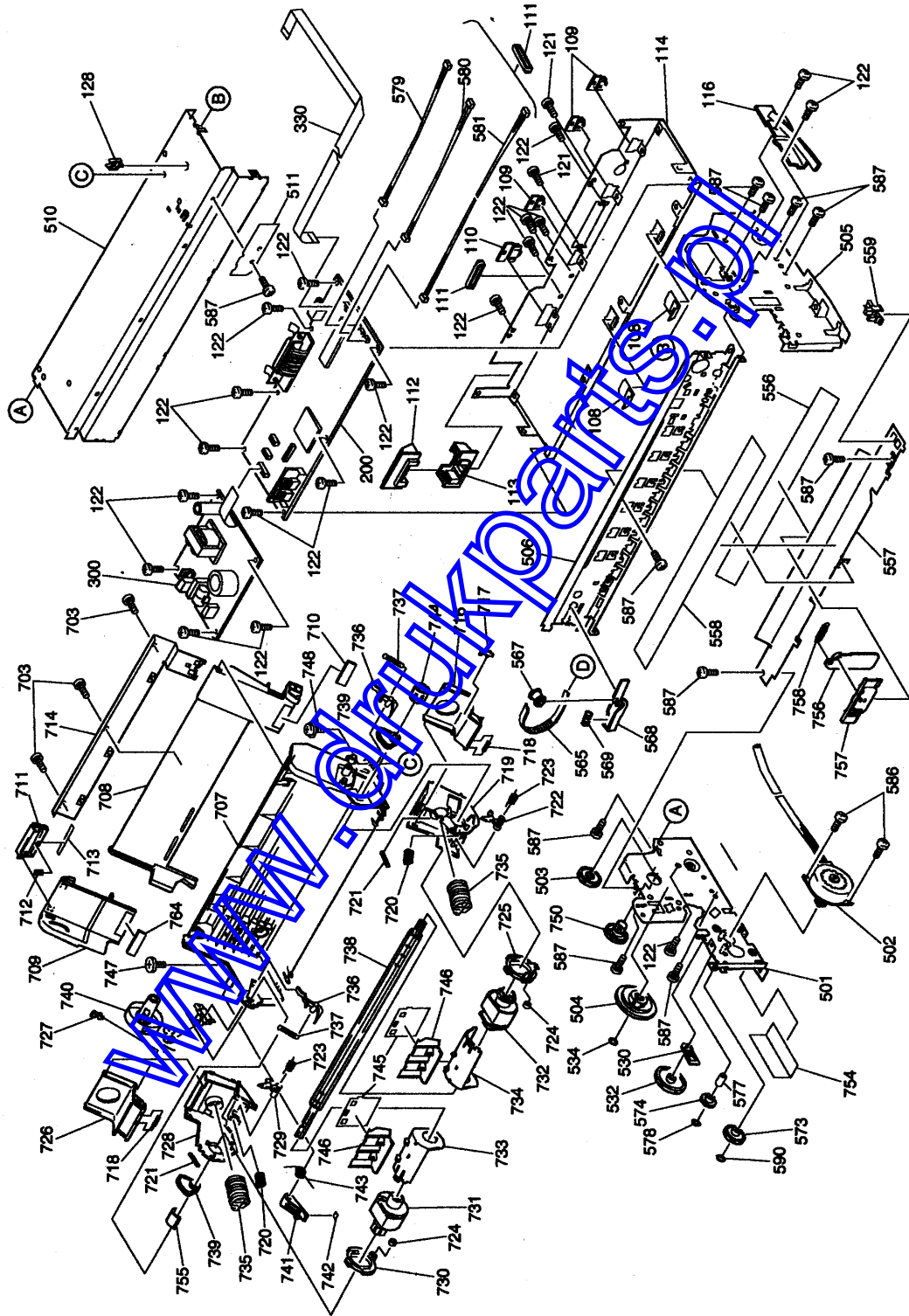
Page 8



EXPLODED DIAGRAM FOR EPSON STYLUS COLOR 440 (3/3)

EPSON STYLUS COLOR 440

Page 7



EXPLODED DIAGRAM FOR EPSON STYLUS COLOR 440 (2/3)

EPSON STYLUS COLOR 440

Page 4

REF NO.	PART NO.	DESCRIPTION	SPECIFICATION	QTY
590	1030972	PLAIN WASHER, 2.6X0.5X8		1
700	F058000	PRINT HEAD, IJ127-0A0	KIT F058000-D	1
701	1030383	FASTENER, HEAD		1
702	1030954	TORSION SPRING, 49		1
703	1024130	C.B.P-TITE SCREW, 3X6, F/ZN		4
704	2025569	CABLE, HEAD		1
705	1030386	HOLDER, CABLE		1
706	1033220	SPACER, CABLE HEAD		1
707	1038244	FRAME, ASF; B		1
708	1040589	HOPPER		1
709	1040590	EDGE GUIDE		1
710	1040606	CORK		1
711	1030429	SLIDER, EDGE GUIDE		1
712	1030960	COMPRESSION SPRING, 3.23		1
713	1033016	PAD, BRAKE, EDGE GUIDE		1
714	1040645	REINFORCEMENT PLATE, HOPPER		1
716	1040661	PAD ASSY., RIGHT		1
717	1030450	LEVER, PAD, RELEASE, RIGHT		1
718	1030420	ROD SPRING, HOLDER, PAD		2
719	1040608	HOLDER, EDGE GUIDE, RIGHT		1
720	1036867	COMPRESSION SPRING, 1.17		2
721	1036874	EXTENSION SPRING, 0.62		2
722	1040595	LEVER, PAPER RETURN, RIGHT		1
723	1040646	EXTENSION SPRING, 0.294		2
724	1040596	ROLLER, LD, SUPPORT		2
725	1040648	HOLDER, ROLLER, LD, SUPPORT, RT		1
726	1040660	PAD ASSY., LEFT		1
727	1030449	LEVER, PAD, RELEASE, LEFT		1
728	1040602	HOLDER, EDGE GUIDE, LEFT		1
729	1040594	LEVER, PAPER RETURN, LEFT		1
730	1040647	HOLDER, ROLLER, LD, SUPPORT, L		1
731	1040658	ROLLER ASSY., LD, LEFT		1
732	1040659	ROLLER ASSY., LD, RIGHT		1
733	1040597	COVER, ROLLER, LD, LEFT		1
734	1040598	COVER, ROLLER, LD, RIGHT		1
735	1036868	COMPRESSION SPRING, 0.961		2
736	1038211	LEVER, FASTEN, EDGE GUIDE; B		2
737	1030959	EXTENSION SPRING, 0.088		2
738	1040601	SHAFT, GEAR, LD		1
739	1042067	LEVER, HOPPER, RELEASE		2
740	1040607	WHEEL, EJECT		1
741	1030951	LEVER, BRAKE		1
742	1030970	PAD, BRAKE		1
743	1030966	TORSION SPRING, 41.2		1
744	1030456	BUSHING, FASTEN, SHAFT		1
745	1040599	SHEET, PAPER FEED		2
746	1040600	HOLDER, SHEET, PAPER FEED		2
747	1005416	SHAFT, MOUNT, CR		1
748	1032300	C.P.S-TITE(P4), 3X6, F/ZN		1
750	1040588	SPUR GEAR, 34		1
751	1030419	PAPER GUIDE, LOWER		1
752	1030372	POROUS PAD, INK EJECT, LARGE		2
753	1030374	TRAY, POROUS PAD		1

EPSON STYLUS COLOR 440

Page 3

REF NO.	PART NO.	DESCRIPTION	SPECIFICATION	QTY
531	B150300711	RETAINING RING	TYPE-E(4)	1
532	1030424	SPUR GEAR, 36		1
533	1040576	SPUR GEAR, 11		1
534	1030971	PLAIN WASHER, 4.1X0.5X6.5		2
535	1040585	PAPER GUIDE, FRONT		1
536	1042582	GROUNDING WIRE, EJ		1
538	1040574	FRAME, PAPER EJECT		1
539	1042338	HOLDER, STAR WHEEL, RIGHT		1
540	1042339	HOLDER, STAR WHEEL, LEFT		1
541	1032723	HOLDER, STARWHEEL, FRONT		1
542	1030415	STAR WHEEL ASSY., 8 (NATURAL)		20
543	1033652	STAR WHEEL, 8; B		1
544	1032244	ROD SPRING, STAR WHEEL		14
545	1030408	PAPER GUIDE, UPPER		5
546	1032646	PAPER GUIDE, RIGHT		1
547	1030414	PAPER GUIDE, LEFT		1
548	1030968	SHAFT, PAPER GUIDE, UPPER		6
549	1030969	SHAFT, ROLLER, DRIVEN		6
550	1038961	ROLLER, DRIVEN; D		12
551	1030956	TORSION SPRING, 117.6		6
552	2022329	CIRCUIT ASSY, PE		1
553	1030411	HOLDER, PE		1
554	1030410	LEVER, PE		1
555	1030958	TORSION SPRING, 0.22		1
556	1042648	SHEET, GUIDE PLATE, CABLE		1
557	1040575	GUIDE PLATE, CABLE		1
558	1032719	SHEET, CABLE		1
559	2021854	DETECTOR, HP	4V,50MA,100MW,	1
560	1032426	CARRIAGE ASSY.		1
561	1030380	LEVER, ADJUST		1
562	1030381	GROUNDING PLATE, HEAD		1
563	1030382	OIL PAD		1
564	1030387	SLIDER, CR		1
565	1041884	TIMING BELT		1
566	1030391	SHAFT, CR, GUIDE		1
567	1031313	ROLLER ASSY., DRIVEN		1
568	1030389	HOLDER, PULLEY, DRIVEN		1
569	1030955	COMPRESSION SPRING, 19.6		1
570	1037577	LEVER, PG		1
571	1030395	LEVER, PG, SUPPORT		1
572	1032240	TORSION SPRING, 63.7		1
573	1040652	COMBINATION GEAR 6, 34.4		1
574	1040652	COMBINATION GEAR 8, 30		1
576	1034669	POROUS PAD, SLIDER, CAP		1
577	1040644	BUSHING, FASTEN, COMB. GEAR		1
578	1023219	BUSHING NUT, 2		1
579	2028816	HARNESS, HP		1
580	2028815	HARNESS, PE		1
581	2028817	HARNESS, ASF		1
586	1015240	C.C.S.SCREW		2
587	B300204211	C.B.S. SCREW	M3X6	19
588	1032300	C.P.S-TITE(P4), 3X6, F/ZN		2
589	B101254590	LEAF SPRING	6.2X0.15X11	1

EPSON STYLUS COLOR 440

Page 2

REF NO.	PART NO.	DESCRIPTION	SPECIFICATION	QTY
IC14	2022234	HIC		1
IC15	2022234	HIC		1
IC2	2023093	GATE ARRAY, E05B44BA	208,	1
IC3	X630114030	IC SOCKET	40 PIN	1
IC5	2023157	TIMER IC, S-3510ANFJ		1
IC9	2024507	RESET IC, M62030FP	8,	1
Q7	1032224	HEAT SINK		1
Q7	2024208	TRANSISTOR	60V,5A,2W,0,0,	1
Q7	B010303311	C.B.SCREW	M3X6	1
Q9	1032224	HEAT SINK		1
Q9	2024209	TRANSISTOR	-60V,-5A,2W,0,0,	1
Q9	B010303311	C.B.SCREW	M3X6	1
R125	2024094	METAL OXIDE FILM RESISTOR	TP,0.620HM,1W,+2%	1
R129	2024093	METAL OXIDE FILM RESISTOR	TP,0.510HM,1W,+2%	1
R53	X130121016	METAL OXIDE FILM RESISTOR	100 OHM 1W 5%	1
R84	2024092	METAL OXIDE FILM RESISTOR	TP,20HM,2W,+5%	1
R93	2024091	METAL OXIDE FILM RESISTOR	TP,4.70HM,2W,+5%	1
300	2025775	BOARD ASSY., POWER SUPPLY	220V/240V	1
330	2023343	WIRE HARNESS		1
400	2006741	POWER CABLE, BS31303SA-SR-10A	240V	1
401	2018028	HARNESS	220V/230V/240V	1
450	2023066	BOARD ASSY., PANEL		1
500	2028550	PRINTER MECHANISM(ASP)M4L10-100		1
501	1040655	FRAME ASSY., LEFT		1
502	2028086	MOTOR ASSY., PF		1
503	1039368	SPUR GEAR, 23.2		1
504	1030453	COMBINATION GEAR, 16, 40.8		1
505	1030343	FRAME, RIGHT		1
506	1040571	FRAME, TOP		1
507	1031323	MOTOR ASSY, CR	DC42V/0.46A/19.3W SM	1
508	1040515	PUMP ASSY.		1
509	1042881	CAP ASSY.		1
510	1030345	FRAME, BOTTOM		1
511	1032969	SHEET, PROTECTION HEAD		1
512	1030344	FRAME, FRONT		1
513	1030392	BUSHING, PARALLEL ADJ. LEFT		1
514	1030393	BUSHING, PARALLEL ADJ. RIGHT		1
515	1030417	PAPER GUIDE SPRING		1
516	1041663	ROLLER, PF		1
517	1030957	COMPRESSION SPRING, 5.85		1
518	1037093	BUSHING, LEFT		1
519	1030454	ROLLER CHANGE		1
520	1030452	SPUR GEAR, 26.4		1
521	1030975	SPACER, C-RING		2
522	1032301	SCALLOP SPRING PIN-AW, 2X16, F/B		1
523	1030965	COMPRESSION SPRING, 0.9		1
524	1030402	SPUR GEAR, 67.2		1
525	1037094	SPACER, FASTEN, ROLLER, PF		1
526	1037095	SPACER, FASTEN, ROLLER, PF; B		1
527	1031164	C-RING		3
528	1030967	PLAIN WASHER, 12.2X0.5X15		2
529	1040586	ROLLER, ASSY., PAPER EJECT		1
530	1030422	BUSHING, 6		2

EPSON STYLUS COLOR 440

(INCLUDES DETAILS OF NEWLY-AVAILABLE PRINT-HEAD KITS)

Page 1

SHADED ROWS INDICATE MAJOR ITEMS

REF NO.	PART NO.	DESCRIPTION	SPECIFICATION	QTY
100	1039820	HOUSING; B		1
101	1039821	COVER, PRINTER; B		1
102	1040615	PAPER SUPPORT; B		1
103	1039828	STACKER ASSY.; B		1
104	1039829	PANEL ASSY., RIGHT; B		1
105	1030603	SHIELD PLATE, PANEL		1
106	1039827	HOUSING, PANEL, LEFT; B		1
107	1037312	BUTTON, P/S; B		1
108	1030669	GROUNDING PLATE		2
109	1030609	COVER, SHIELD PLATE, M/B, RIGHT		3
110	1030610	COVER, SHIELD PLATE, M/B, LEFT		1
111	1030608	COVER, CABLE		2
112	1037313	COVER, INLET, UPPER; B		1
113	1037314	COVER, INLET, LOWER; B		1
114	1032587	SHIELD PLATE, M/B; C		1
115	1041677	LOGO PLATE		1
116	1038233	HOUSING, SUPPORT, RIGHT; B		1
117	1038234	HOUSING, SUPPORT, LEFT; B		1
119	1033230	FOOT		5
121	B010103311	C.P.SCREW	M3X6	2
122	B300204211	C.B.S. SCREW	M3X6	23
123	1032538	C.B.(O) SCREW, 4X5, F/ZG		1
124	B300204411	C.B.S. SCREW	M3X10	4
125	1005019	C.B.P-TITE SCREW, 3X6, F/ZN	M3X8 F/ZN	2
126	1012350	C.B.P-TITE, 3X10, F/ZN		2
128	1031165	MINI CLAMP		1
180	1041680	LABEL, CAUTION LABEL		1
183	1037833	LABEL, LEVER CARTRIDGE, BLACK		1
184	1037835	LABEL, LEVER CARTRIDGE, COLOUR		1
200	2028311	BOARD ASSY. MAIN(W/O IC3)		1
IC3	2029010	EP-ROM, TE 100	4M BIT	1
BAT1	2020254	BATTERY HOLDER		1
BAT1	X505000700	LITHIUM BATTERY	CR2032	1
C16	2028492	CAPACITOR 50YXA100MT7Y0811		1
C20	2027216	ALUMINUM ELECT. CAP.		1
C27	2023416	ALUMINUM ELECT. CAP.	TP,220UF,10V,+20%,	1
C28	2028492	CAPACITOR 50YXA100MT7Y0811		1
C3	2027220	CAPACITOR 50YXA10MYA0511		1
C59	2028492	CAPACITOR 50YXA100MT7Y0811		1
C65	2027220	CAPACITOR 50YXA10MYA0511		1
C66	2027220	CAPACITOR 50YXA10MYA0511		1
CN1	2017284	CONNECTOR 57RE-40360-830B(D7B)	36,	1
CN10	2005704	CONNECTOR	8 PIN	1
CN11	2007097	CONNECTOR	3,	1
CN3	2023034	CONNECTOR	12,	1
CN4	2022864	CONNECTOR	3,	1
CN5	X600440310	CONNECTOR	3 PIN	1
CN6	2017936	CONNECTOR	4,	1
CN7	2017936	CONNECTOR	4,	1
CN8	2023035	CONNECTOR	23,	1
CR1	2023154	QUARTZ OSCILLATOR	0KHZ,	1
CRU1	2023395	CERAMIC OSCILLATOR	14MHZ,	1
CRU2	2021879	CERAMIC OSCILLATOR	25MHZ,	1