

EPSON STYLUS COLOR 400

REF.	PARTNO.	DESCRIPTION	REMARKS	QTY
100	1030612	HOUSING		1
101	1033230	FOOT		5
102	1030618	COVER PRINTER		1
103	1030631	HOUSING SUPPORT RIGHT		1
104	1030633	HOUSING SUPPORT LEFT		1
105	1030636	HOUSING PANEL LEFT		1
106	1030669	GROUNDING PLATE		2
107	1031311	STACKER ASSY.		1
108	1032195	PANEL ASSY.		1
109	1031312	PAPER SUPPORT ASSY.		1
110	1030604	BUTTON P/S		1
111	1030606	COVER INLET UPPER		1
112	1030607	COVER INLET LOWER		1
113	1030608	COVER CABLE		2
114	1033910	ADAPTER PAPER SUPPORT		1
115	1032768	LOGO PLATE;B		1
116	1030603	SHIELD PLATE PANEL		1
117	1030609	COVER SHIELD PLATE M/B RIGHT		3
118	1030610	COVER SHIELD PLATE M/B LEFT		1
119	1031165	MINI CLAMP		1
120	1032587	SHIELD PLATE M/B;C		1
121	B010109511	C.P.SCREW	M3.5	2
122	B300204211	C.B.S. SCREW	M3.6	23
123	1032538	C.B.(O) SCREW 4X5 F/ZG		1
124	B300204411	C.B.S. SCREW	M3.5	4
125	1005019	C.B.P-TITE SCREW 3X8 F/ZN	M3X8 F/ZN	2
126	1012350	C.B.P-TITE 3X10 F/ZN		2
200	2023059	BOARD ASSY. MAIN		1
IC3	2024104	P-ROM TDN00	4M BIT	1
BAT1	X505000700	LITHIUM BATTERY	CR2032	1
BAT1	2020254	BATTERY HOLDER		1
300	2023064	BOARD ASSY. POWER SUPPLY	220V/240V	1
400	2006741	POWER CABLE (BS31303AA-SR-10A)	240V	1
402	2010468	AC CABLE	240V	1
330	2023343	WIRE HARNESS		1
410	2018054	POWER CABLE ASSY.		1
411	2018055	POWER CABLE ASSY.		1
412	2018028	HARNESS		1
450	2023066	BOARD ASSY.PANEL		1
500	2024052	PRINTER MATH.(ASP)M4G10-100	WITHOUT 515 PRNT.HD.	1
501	1030341	FRAME TOP		1
502	1030343	FRAME RIGHT		1
503	1030344	FRAME FRONT		1
504	1030345	FRAME BOTTOM		1
505	1031316	FRAME ASSY. LEFT		1
506	1032426	CARRIAGE ASSY.		1
507	1030380	LEVER ADJUST		1
508	1030381	GROUNDING PLATE HEAD		1
509	1030382	OIL PAD		1
510	1030387	SLIDER CR		1
511	1030389	HOLDER PULLEY DRIVEN		1
51	1032969	SHEET PROTECTION HEAD		1
53	1030969	SHAFT ROLLER DRIVEN		6
14	1034351	ROLLER DRIVEN;B		12

EPSON

STYLUS COLOR 400

Page 2

REF.	PARTNO.	DESCRIPTION	REMARKS	QTY
515	F058000	PRINT HEAD IJ127-0A0 (COMPOSITE)	KIT - F058000-C	1
516	1031313	PULLEY ASSY. DRIVEN		1
517	1030390	TIMING BELT		1
518	1030408	PAPER GUIDE UPPER		5
519	1030414	PAPER GUIDE LEFT		1
520	1030417	PAPER GUIDE REAR		1
521	1032287	PAPER GUIDE FRONT;B		1
522	1032646	PAPER GUIDE RIGHT		1
523	1030968	SHAFT PAPER GUIDE UPPER		6
524	1030415	STAR WHEEL ASSY. 8		20
525	1032242	HOLDER STAR WHEEL RIGHT		1
526	1032243	HOLDER STAR WHEEL LEFT		1
527	1032244	ROD SPRING STAR WHEEL		13
528	1030346	FRAME EJ		1
529	1030421	ROLLER ASSY. EJ		1
530	1030406	SHAFT PF ROLLER		1
532	2022329	CIRCUIT ASSY PE		1
533	2022330	HARNESS PE		1
534	1030410	LEVER PE		1
535	1030411	HOLDER PE		1
536	2021854	DETECTOR HP	4V 50MA 100MM	1
537	2022326	HARNESS HP		1
538	2024054	MOTOR PF;B		1
539	1031323	MOTOR ASSY CR		1
540	1030391	SHAFT CR GUIDE		1
541	1031314	PUMP ASSY.		1
542	1031315	CAP ASSY.		1
543	1034969	CLEANER HEAD ASP		1
544	1030347	GUIDE PLATE CABLE		1
545	1030392	BUSHING PARALLEL ADJUST LEFT		1
546	1030393	BUSHING PARALLEL ADJ. R IGH		1
547	1030394	LEVER PG		1
548	1030395	LEVER PG SUPPORT		1
549	1030404	BUSHING 12 LEFT		1
550	1030422	BUSHING 6		2
551	1030454	LEVER CHANGE		1
552	1032608	STOPPER STACKER		2
553	1030353	SPUR GEAR 11.5		1
554	1030399	SPUR GEAR 23.2		1
555	1030402	SPUR GEAR 67.2		1
556	1030424	SPUR GEAR 36		1
557	1030452	SPUR GEAR 26.4		1
558	1030453	COMBINATION GEAR 16 40.8		1
559	1031001	COMBINATION GEAR 8 14.4		1
560	1031055	COMBINATION GEAR 8.8 21.6		1
561	1030955	COMPRESSION SPRING 19.6		1
562	1030957	COMPRESSION SPRING 5.85		1
563	1030965	COMPRESSION SPRING 0.9		1
564	1030956	TORSION SPRING 117.6		6
565	1030958	TORSION SPRING 0.22		1
566	1032240	TORSION SPRING 63.7		1
567	1030967	PLAIN WASHER 12.2X0.5X15		2
568	1030971	PLAIN WASHER 4.1X0.5X6.5		2
569	1030975	SPACER C-RING		2

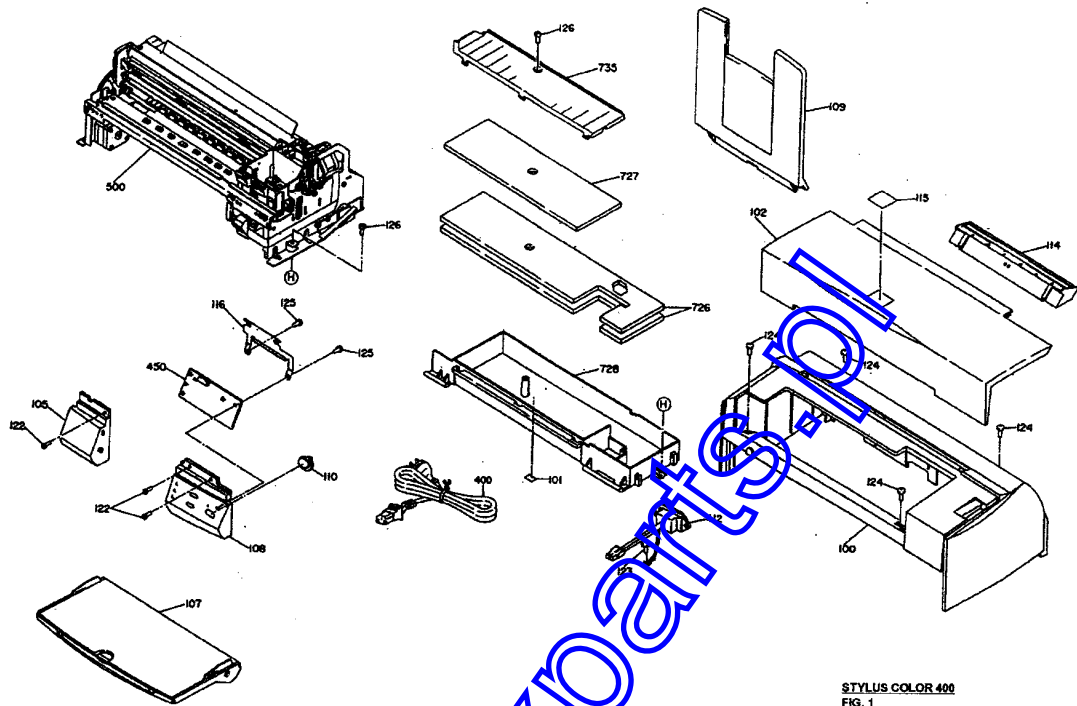
EPSON STYLUS COLOR 400

Page 3

REF.	PARTNO.	DESCRIPTION	REMARKS	QTY
570	B101254590	LEAF SPRING	6.2X0.15X11	1
571	B150300711	RETAINING RING	TYPE-E(4)	1
572	B300204211	C.B.S. SCREW	M3X6	19
573	1023219	BUSHING NUT 2		1
574	1024505	HEXAGON NUT NORMAL M3		3
575	1031164	C-RING		3
576	1032300	C.P.S-TITE(P4) 3X6 F/ZN		2
577	1032301	SCALLOP SPRING PIN-AW 2X16 F/B		1
580	1034669	POROUS PAD SLIDER CAP		1
700	1031309	PAD ASSY. LEFT		1
701	1031308	PAD ASSY. RIGHT		1
702	1030961	TORSION SPRING 1.22 LEFT		1
703	1030442	HOLDER EDGE GUIDE LEFT		1
704	1030449	LEVER PAD RELEASE LEFT		1
705	1030434	LEVER PAPER RETURN LEFT		1
706	1032245	TORSION SPRING 1.22 RIGHT		1
707	1030450	LEVER PAD RELEASE RIGHT		1
708	1030455	HOLDER EDGE GUIDE RIGHT		1
709	1030420	ROD SPRING HOLDER PAD		2
710	1030435	LEVER PAPER RETURN RIGHT		1
711	1030436	ROLLER LD SUPPORT		2
712	1030437	HOLDER ROLLER LD SUPPORT		2
713	1030962	EXTENSION SPRING 0.36		2
714	1033979	COMPRESSION SPRING 0.88		2
715	1030427	HOPPER		1
716	1030428	EDGE GUIDE		1
717	1030429	SLIDER EDGE GUIDE		1
718	1030446	CORK		1
719	1030960	COMPRESSION SPRING 3.23		1
720	2021854	DETECTOR HP	4V 50MA 100MW	1
721	2022325	CABLE HEAD		1
722	1033220	SPACER CABLE HEAD		1
723	2022331	HARNESS ASF		1
724	1031306	ROLLER ASSY. LD LEFT		1
725	1031307	ROLLER ASSY. LD RIGHT		1
726	1030372	POROUS PAD INK DETECT LARGE		2
727	1030373	POROUS PAD INK DETECT SMALL		1
728	1030374	TRAY POROUS PAD		1
729	1030376	COVER CARTRIDGE BLACK		1
730	1030377	COVER CARTRIDGE COLOUR		1
731	1030378	SEPARATOR CARTRIDGE BLACK		1
732	1030379	SEPARATOR CARTRIDGE COLOUR		1
733	1030383	FASTENER HEAD		1
734	1030386	HOLDER CABLE		1
735	1030419	PAPER GUIDE LOWER		1
736	1030426	FRAME ASF		1
737	1030430	LEVER FASTEN EDGE GUIDE		2
738	1030438	COVER ROLLER LD LEFT		1
739	1030439	COVER ROLLER LD RIGHT		1
740	1030440	SHAFT ROLLER LD		1
741	1005416	SHAFT MOUNT CR		1
742	1030441	LEVER HOPPER RELEASE		2
743	1030447	WHEEL DETECT		1
744	1030456	BUSHING FASTEN SHAFT		1

EPSON STYLUS COLOR 400

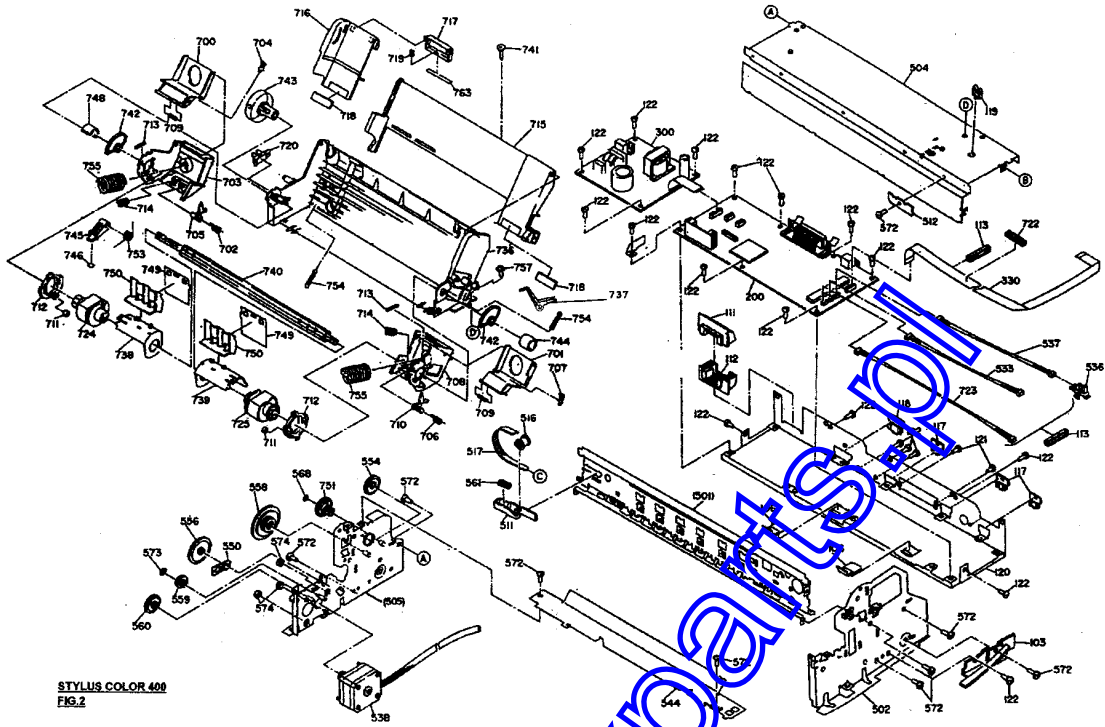
Page 5



STYLUS COLOR 400
FIG. 1

EPSON STYLUS COLOR 400

Page 6



EPSON STYLUS COLOR 400

