

EPSON

STYLUS COLOR 3000

(IMPORTANT ITEMS IN BOLD TYPE)

Page 1

REF.	PART NO.	DESCRIPTION	STANDARD	QTY
100	1033594	HOUSING, LOWER		1
101	1004605	FOOT		4
102	1031903	SHIELD PLATE		1
103	1033604	COVER, ROLL PAPER		1
104	1033722	CABLE GUIDE, PR WIDTH DETECT		1
105	1033586	SHIELD PLATE, UPPER		1
106	1033593	HOUSING, UPPER		1
107	1033598	PAPER SUPPORT		1
108	1033605	EDGE GUIDE		1
109	1033600	COVER, PRINTER, 02		1
110	1033599	COVER, PRINTER, 01		1
111	1033587	COVER, ROM		1
112	1033601	SHEET GUIDE, REAR		1
114	1033602	KNOB		1
115	1035760	LOGO PLATE;B		1
117	1033716	STACKER		1
118	1033717	STACKER, SUPPORT		1
119	1033606	COVER, PAPER SUPPORT		1
123	1002045	COVER, CONNECTOR, UPPER		1
124	1012855	GROUNDING SPRING, TYPE-B		1
125	1026162	EARTH SPRING		1
126	1033472	POROUS PAD, INK EJECT, MAIN		4
127	1033473	POROUS PAD, INK EJECT, SUB		2
129	2014328	CONNECTOR SWITCH;B		3
131	1002902	CLAMP		6
132	B045800115	C.B.(O) SCREW	M4X8 F/ZG	1
133	B070200411	HEXAGON NUT	M4	1
134	B010103311	C.P.SCREW	M3X6	2
135	B300204211	C.B.S. SCREW	M3X6	8
136	B310206711	C.B.B.SCREW	M4X20	2
137	1002674	C.B.S-TITE SCREW	M3X12	2
138	1003164	C.B.P-TITE SCREW, 3X12, F/ZN		14
139	B300204311	C.B.S. SCREW	M3X8	1
140	1020333	C.B.SCREW, 4X14, F/ZN		4
142	1034111	SHEET, PANEL;B		1
143	1030565	HOLDER, ROLL PAPER, RIGHT		1
144	1030566	HOLDER, ROLL PAPER, LEFT		1
156	1033603	COVER, SHIELD PLATE		2
158	2023970	CABLE, PAPER WIDE DETECT		1
N/A	2024115	HARNES, PAPER LENGTH DETECT		1
160	1033721	MOUNTING PLATE, DETECTOR PL		1
162	1033588	STRENGTHEN PLATE, PR SUPPORT		1
163	1033607	KEYTOP, PW SWITCH		1
164	1033597	HOUSING, PANEL		1
165	1033595	COVER, CONNECTOR		1
166	1033596	COVER, I/C		1
167	1033723	LATCH, COVER I/C		1
168	1035092	SHEET, HOUSING, UPPER		1
169	1016611	KNOB, G, ADJUST		1
170	1033715	PAPER SUPPORT; B		1
171	1033719	LEVER, PAPER LENGTH DETECT		1
172	1034280	SLIDER ASSY., EDGE GUIDE		1

EPSON

STYLUS COLOR 3000

(IMPORTANT ITEMS IN BOLD TYPE)

Page 2

REF.	PART NO.	DESCRIPTION	STANDARD	QTY
173	1035091	WEIGHT SPRING, LEVER PR LENGTH		1
174	1005019	C.B.P-TITE SCREW, 3X8, F/ZN	M3X8 F/ZN	1
200	2028547	BOARD ASSY., MAIN (W/O IC3)	SEE NOTE BELOW	1
300	2019737	BOARD ASSY., POWER SUPPLY	220V/240V	1
330	2024243	HARNESS		1
331	2024244	HARNESS		1
450	2024062	BOARD ASSY., PANEL		1
451	2023973	BOARD ASSY., PR WIDTH DETECTOR		1
400	2012926	WIRE HARNESS		1
500	2025316	PRINTER MECHANISM(ASP)M-4J60-100		1
501	1026001	PULLEY, DRIVEN;B		1
502	1036182	FRAME ASSY., BASE		1
503	2021301	DETECTOR, PE	0V,0A,0W,	1
504	1033440	FRAME ASSY., MAIN, LEFT		1
505	1033449	FRAME ASSY.MAIN, MIDDLE		1
506	1033442	FRAME, MAIN, RIGHT		1
507	1025932	FRAME, MAIN, BOTTOM		1
508	1033485	CARRIAGE ASSY.		1
509	1033488	CABLE, HEAD, YMC		1
513	1026010	SLIDER, CR		1
514	1031876	GROUNDING PLATE, HEAD		1
515	1026295	FRAME ASSY., SUB		1
516	F056010	PRINT HEAD, IJ128-0A0	BLACK	1
521	1036548	PAPER GUIDE, FRONT;B		1
522	1019407	ROLLER ASSY., PAPER LOAD		2
523	1019387	ROLLER, PAPER LOAD, SUPPORT		2
524	1026031	PAPER GUIDE, REAR		1
525	1033228	ROLLER ASSY., PF, SUPPORT		6
526	1033229	ROLLER ASSY., DRIVEN SUPPORT		7
527	1026986	TORSION SPRING, 675.2		2
528	1027828	TORSION SPRING, 908.5		5
529	1027829	TORSION SPRING, 728.1		6
530	1019356	HOLDER, PF, SUPPORT		6
531	1033495	ROLLER, PF, DRIVE		1
532	2023971	MOTOR ASSY., PF, LEFT	DC4.25V/0.5A/2.13W ST	1
533	2019713	HARNESS, PE, REAR		1
534	2023231	HARNESS, PE, FRONT		1
535	2021854	DETECTOR, HP	4V,50MA,100MW,	1
536	2019542	HARNESS, HP		1
537	2014283	DETECTOR, LEAF, B1	0,0V,0A,	2
538	2023988	HARNESS, RELEASE		1
539	1032548	PUMP ASSY.		1
540	1036752	CAP ASSY.		1
541	1025954	MOUNTING PLATE, PUMP		1
543	1034969	CLEANER, HEAD, ASP		1
544	1033447	SHAFT, CR GUIDE		1
545	1030382	OIL PAD		1
546	2024147	MOTOR ASSY., CR	DC3.5V/0.8A/2.8W ST	1
547	1012616	GROUNDING PLATE, CR, MOTOR		1
548	1026000	MOUNTING PLATE, CR MOTOR		1
549	1030325	FAN, MOTOR CR		1

EPSON

STYLUS COLOR 3000

(IMPORTANT ITEMS IN BOLD TYPE)

Page 3

REF.	PART NO.	DESCRIPTION	STANDARD	QTY
550	1012618	DAMPER, CR		4
551	1017596	SHAFT, DAMPER, CR;B		4
552	1025933	FRAME, GUIDE, LD		1
553	1036221	ROLLER ASSY., DRIVEN		4
554	1036222	ROLLER ASSY., DRIVEN;B		1
555	1025929	BUSHING, PARALLEL, ADJUST		2
556	1023980	BUSHING, LEVER, CHANGE		1
557	1033936	HOLDER ASSY., EJ DOUBLE;D		2
558	1032983	HOLDER ASSY., EJ, DOUBLE;B		5
559	1033524	FRAME, EJ		1
560	1031866	ROLLER, EJ		1
563	1031928	ROLLER ASSY., EJECT		1
564	1026103	CLUTCH, EJECT		1
567	1033935	HOLDER ASSY., EJ DOUBLE;C		2
568	1032545	HOLDER ASSY., EJECT, DOUBLE		4
569	1034967	HOLDER ASSY., EJECT, DOUBLE;B		4
572	1033923	EDGE GUIDE ASSY., MIDDLE		1
573	1027313	LABEL, EDGE GUIDE		1
574	1033508	EDGE GUIDE, RIGHT		1
575	1033507	EDGE GUIDE, LEFT		1
576	1026304	HOPPER ASSY.		2
587	1036753	MOUNT PLATE ASSY., PUMP, CAP		1
588	1026302	HOLDER ASSY.PAD		2
590	1033924	SELECT ASSY., CAM		1
591	1026308	TRACTOR ASSY.		1
592	1025293	TRACTOR, LEFT		1
593	1025294	TRACTOR, RIGHT		1
594	1025296	PAPER SUPPORT		1
595	1026114	SHAFT, TRACTOR, DRIVE		1
596	1026115	SHAFT, TRACTOR, GUIDE		1
597	1026120	FRAME, TRACTOR, LEFT		1
598	1026121	FRAME, TRACTOR, RIGHT		1
599	1026117	SPUR GEAR, 25		1
600	1033487	TIMING BELT		1
601	F055050	PRINT HEAD, IJ192-0000	COLOUR	1
602	2019712	HARNES, DE		1
603	1026061	BUSHING, GEAR, DE		1
604	1031881	FFC, HOLDER		1
604	1033490	HOLDER, FFC		1
605	1033491	HOLDER, FFC		1
606	1031867	ANTI-STATIC BRUSH		1
610	1033448	LEVER, PG		1
617	1033489	CABLE, HEAD, BLACK		1
618	1039816	COMBINATION GEAR		1
620	1026019	LEVER, CHANGE, CAM		1
621	1026020	SPRING, LEVER, CHANGE		1
623	1033502	LEVER, RELEASE		1
624	1033496	CAM, RELEASE, TR		1
625	1033523	SHAFT, RELEASE, TR		1
626	1033497	CAM, RELEASE, TR, SUPPORT		1
627	1026047	SPRING, ROLLER GROUND		1
628	1033461	COVER, HOLDER, INK CARTRIDGE		1

EPSON

STYLUS COLOR 3000

(IMPORTANT ITEMS IN BOLD TYPE)

Page 4

REF.	PART NO.	DESCRIPTION	STANDARD	QTY
629	1026059	LEVER, TRIGGER		1
630	1034670	LEVER, RELEASE, TRANS.; B		1
631	1026076	BUSHING, SHAFT, RELEASE, ASF		1
632	1026078	CAM, RELEASE, ASF		2
633	1026080	RATCHET, ASF, TRANSMISSION		1
634	1026084	CAM, CLUTCH		1
635	1026085	ROTARY DAMPER		1
636	1026106	COVER, SLIDE, RIGHT		1
637	1026107	COVER, SLIDE, LEFT		1
640	1026062	SHAFT, LD		1
641	1026068	SHAFT, EDGE GUIDE		1
642	1026069	SHAFT, RELEASE, ASF		1
643	F334005230	PLATEN SHAFT HOLDER		2
644	F334005370	PLATEN SHAFT HOLDER	GREY	3
645	F360351020	TUBE FIXING SCREW		6
646	F360351030	TUBE FIXING O RING		1
647	1001468	TORSION SPRING, 3490		4
649	1019437	BUSHING, 6		1
650	1031864	SPUR GEAR, 16		1
652	1025967	SPUR GEAR, 11.4		1
653	1025968	COMBINATION GEAR, 13.8, 11		1
654	1025969	SPUR GEAR, 17		1
655	1025970	SPUR GEAR, 12		1
656	1033532	COMBINATION GEAR, 8.4, 20.8		1
657	1026050	SPUR GEAR, 8		1
658	1033533	COMBINATION GEAR, 45, 48		1
659	1033679	SPUR GEAR, 33.6		1
660	1026055	SPUR GEAR, 24		1
661	1026081	SPUR GEAR, 29		1
662	1026083	GEAR, LD		1
663	1026088	SPUR GEAR, 13.5		1
664	1033499	SPUR GEAR, 32		1
665	1033500	SPUR GEAR, 54		1
666	1033528	COMPRESSION SPRING, 2.96		1
667	1031865	SPUR GEAR, 14.5		1
668	1020350	COMPRESSION SPRING, 1.3		1
669	1033535	BUSHING, PUMP TRANSMISSION		1
670	1026003	EXTENSION SPRING, 23.2		1
671	1034197	COMPRESSION SPRING, 0.65		1
672	1026040	EXTENSION SPRING, 7.63		6
673	1026072	COMPRESSION SPRING, 1.13		2
674	1027830	COMPRESSION SPRING, 2.16		1
675	1027885	EXTENSION SPRING, 0.698		1
677	B100154712	PLAIN WASHER	6X0.7X12	4
678	B100166012	PLAIN WASHER	8X0.5X15	2
679	B100150412	PLAIN WASHER	4X0.2X6	2
680	B100157612	PLAIN WASHER	M3X0.5X7 F/NI	2
681	1020296	PLAIN WASHER, 6.1X0.3X12, L/NA		1
682	1006142	P.W., 4.2X0.3X8, L/NA		1
683	1008492	PLAIN WASHER 3*0.5*8 F/ZN	3X0.5X8	4
685	B101253990	LEAF SPRING	8.2X0.25X15	2

EPSON

STYLUS COLOR 3000

(IMPORTANT ITEMS IN BOLD TYPE)

Page 5

REF.	PART NO.	DESCRIPTION	STANDARD	QTY
686	B130103216	SPRING PIN	2X14	3
687	B210151690	BALL BEARING		1
688	B070200311	HEXAGON NUT	M3	2
689	B081700611	FLANGE NUT	M4	2
690	B100153090	PLAIN WASHER	5.2X0.3X10	2
696	B150300611	RETAINING RING	TYPE-E(3)	2
697	B150300711	RETAINING RING	TYPE-E(4)	7
698	B150300811	RETAINING RING	TYPE-E(5)	2
699	B150300911	RETAINING RING	TYPE-E(6)	8
700	B150350111	RETAINING RING	TYPE-E(2.3)	1
701	B041450311	CUP SCREW	M2X4	2
702	B300204211	C.B.S. SCREW	M3X6	40
703	1034044	C.P.B-TITE SCREW 1 PREC., 2X3.5, F/ZB		1
704	1005019	C.B.P-TITE SCREW, 3X8, F/ZN	M3X8 F/ZN	10
705	1035771	C.P., 1.2X5.5, F/ZB		2
706	1027611	C.B.S.SCREW, 2X6, F/ZN		2
707	2021302	DETECTOR, PE;B	0V,0A,0W	1
708	B010103311	C.P.SCREW	M3X6	2
709	1033494	HOLDER, HP DETECT		1
710	1035103	PLAIN WASHER, 6.3X0.2X8.3, L/NA		2
715	1031899	GUIDE, CABLE, HEAD		1
717	1033680	BUSHING, SPUR GEAR, DRIVE		1
718	1035096	OIL PAD;C		1
719	1035184	LEAF SPRING, CR FELT		1
721	1005416	SHAFT, MOUNT, CR		2
722	1026099	GUIDE, LD, TOP		1
723	1033527	COMBINATION GEAR, 16, 20		1
728	1030783	LEVER, HEAD ADJUST, BLACK		1
729	1030784	LEVER, HEAD ADJUST, COLOUR		1
734	1030787	COMPRESSION SPRING, 9.9		2
735	1031163	SCREW, HEAD FASTEN		2
737	1030785	LEVER, ADJUST		1
738	1036223	ROLLER ASSY., DRIVEN; C		1
739	2014328	CONNECTOR SWITCH;B		1
740	1033443	FRAME ASSY., SUB, 1, 41		1
741	1033459	FASTENING PLATE, INK CARTRIDGE		1
743	1033980	HOLDER ASSY., INK CART. BLACK		1
744	1033981	HOLDER ASSY., INK CART. YELLOW		1
745	1033982	HOLDER ASSY., INK CART. MAGENTA		1
746	1033983	HOLDER ASSY., INK CART. CYAN		1
748	1033463	HOLDER, FASTEN, TUBE		1
749	1033464	HOLDER, FASTEN, TUBE, B		1
750	1033466	LEAF SPRING, FASTEN, TUBE		1
751	1033467	MOUNTING PLATE, JOINT		1
752	1033468	MOUNTING PLATE, TUBE		1
753	1033469	TUBE, EJECT		2
754	1033475	STRENGTHEN PLATE, INK, CARTRIDGE.		1
755	1033480	JOINT, YMC		3
756	1033481	JOINT, BLACK		1
757	1033482	JOINT SCREWS, M6		10
758	1033483	O RING, TUBE FASTEN		10
759	1033486	COVER, DAMPER		1

EPSON

STYLUS COLOR 3000

(IMPORTANT ITEMS IN BOLD TYPE)

Page 6

REF.	PART NO.	DESCRIPTION	STANDARD	QTY
760	1033492	COVER, PWS		1
761	1033505	COVER, PAPER WIDTH DETECT		1
763	1033510	SUPPORT LEVER, DET. PR STOCK		1
764	1035613	EXTENSION SPRING, 0.84		1
765	1033522	SPUR GEAR, 56.4		1
767	B100153090	PLAIN WASHER	5.2X0.3X10	1
768	1033534	BUSHING, DE TRANSMISSION		1
769	1033536	LEVER, RELEASE, TRANS., RIGHT		1
770	1033538	COVER, DETECTOR PAPER STOCK		1
771	1033548	TUBE, SUPPLY, PROTECTION, BLACK		1
772	1033549	TUBE, SUPPLY, PROTECTION, YMC		1
773	1033925	DAMPER ASSY., BLACK		1
774	1033926	DAMPER ASSY., Y.M.C		3
775	1033930	LEVER ASSY., DET. PAPER STOCK		1
776	1033931	GUIDE ASSY., TUBE		1
777	1035090	GROUNDING LEAF SPRING;C		2
778	1035093	FRAME, CUTTER, RIGHT		1
779	1035094	FRAME, CUTTER, LEFT		1
780	1035095	MOUNT PLATE, DET. SENSOR PG		1
781	2023967	PAPER WIDTH SENSOR		1
782	2023974	BOARD ASSY., DETECTOR PS		1
784	2023972	MOTOR ASSY., PUMP	DC42V(S)/0.65A/27.3W ST	1
785	1033451	PIPE, SUPPLY, INK, BLACK		1
786	1033452	PIPE, SUPPLY, INK, YELLOW		1
787	1033455	PIPE, SUPPLY, INK, MAGENTA		1
788	1033456	PIPE, SUPPLY, INK, CYAN		1
789	1033457	TUBE, SUPPLY, INK, BLACK		1
790	1033458	PIPE, SUPPLY, INK, YMC		1
791	1035612	COMPRESSION SPRING,2.70		1
792	1033541	COVER,POROUS PAD,LEFT		1
793	1040272	PRESSURE PLATE,BUSHING RILLEL ADJUST,RIGHT		1
794	1037088	POROUS PAD,PAPER GUIDE		1
795	1037087	SHEET,ELIMINATE,PAPER GUIDE		1
796	1033506	SLIDE PLATE,PAPER WIDTH DETECTION		1
797	1026077	BUSHING,EDGE GUIDE		4
END				

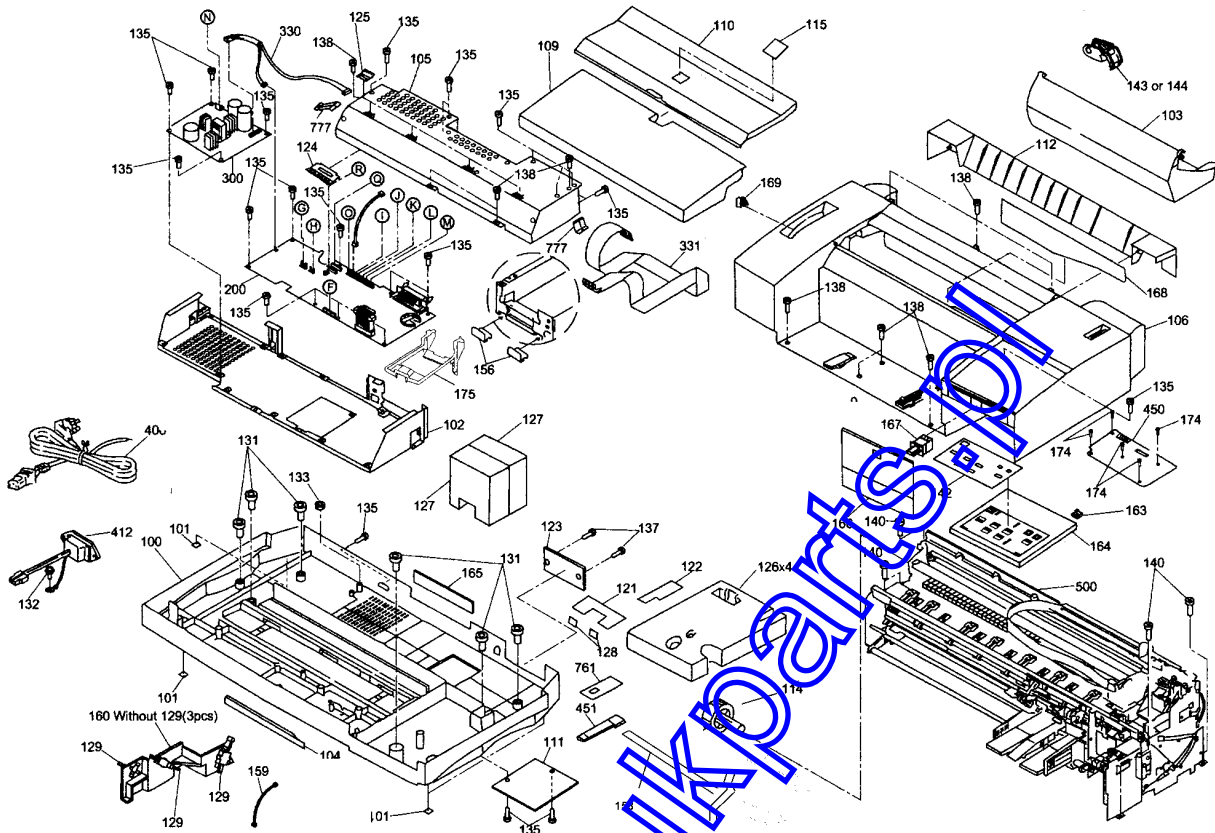
NOTE: REFER TO "TECHEXCHANGE" FOR INFORMATION ABOUT ORDERING IC'S

EPSON

STYLUS COLOR 3000

(IMPORTANT ITEMS IN BOLD TYPE)

Page 7



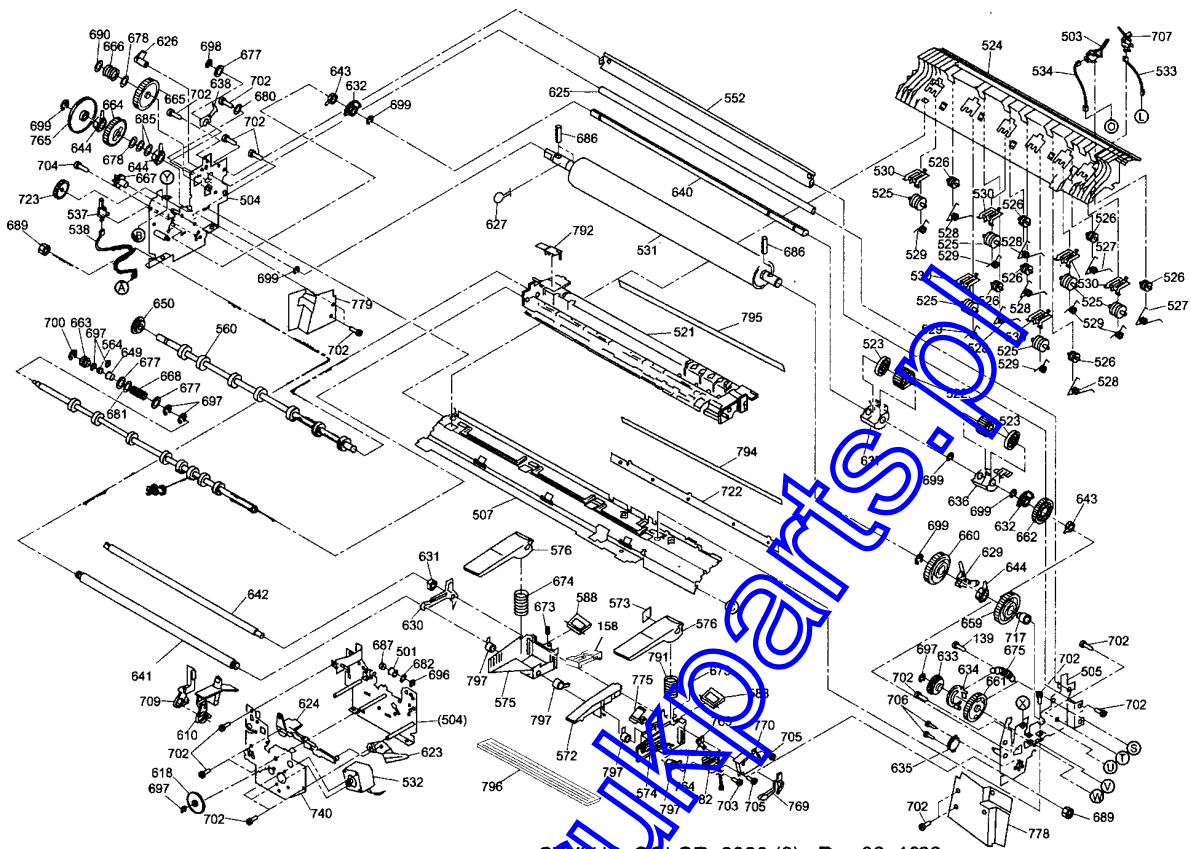
STYLUS COLOR 3000 (1) Rev.02 1862

EPSON

STYLUS COLOR 3000

(IMPORTANT ITEMS IN BOLD TYPE)

Page 8



STYLUS COLOR 3000 (2) Rev.02 1862

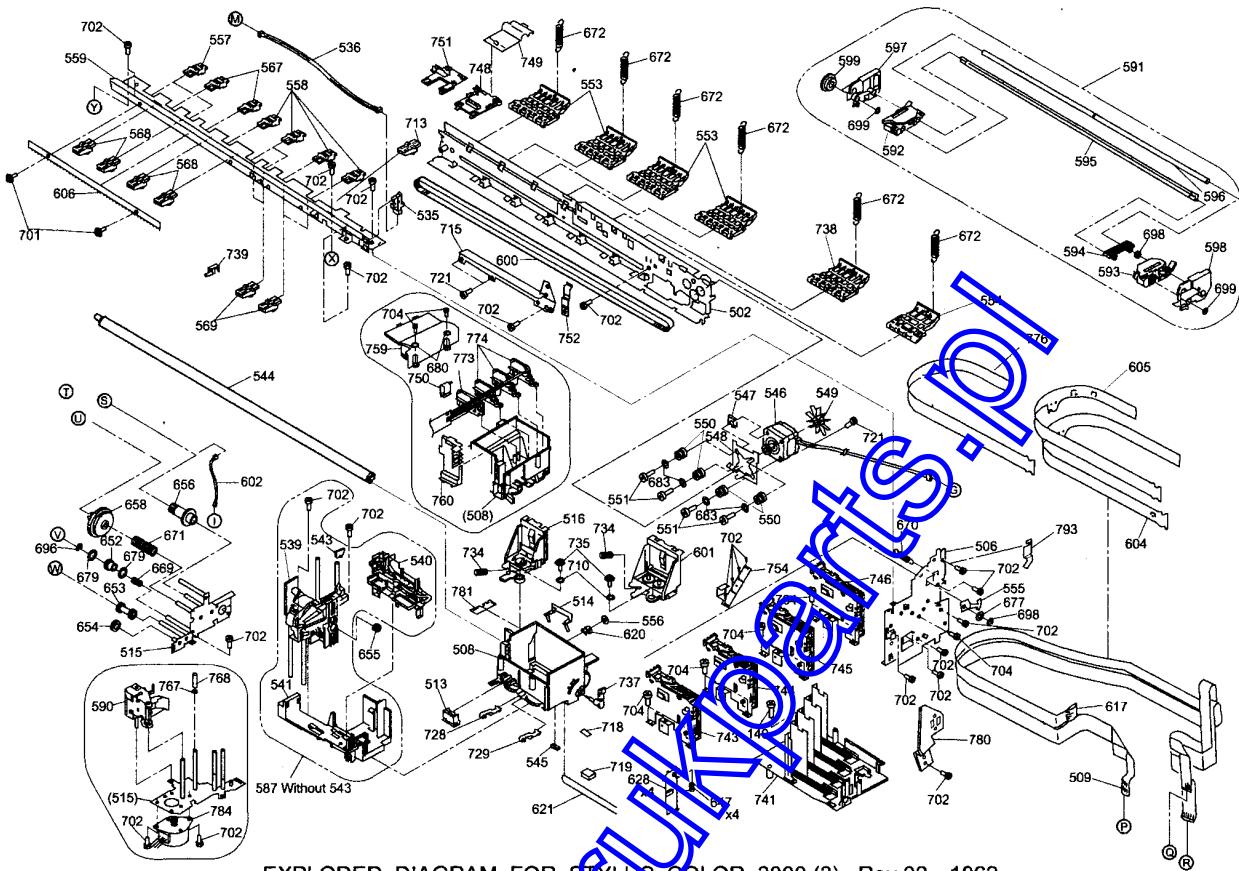
www.druckarts.de

EPSON

STYLUS COLOR 3000

(IMPORTANT ITEMS IN BOLD TYPE)

Page 9



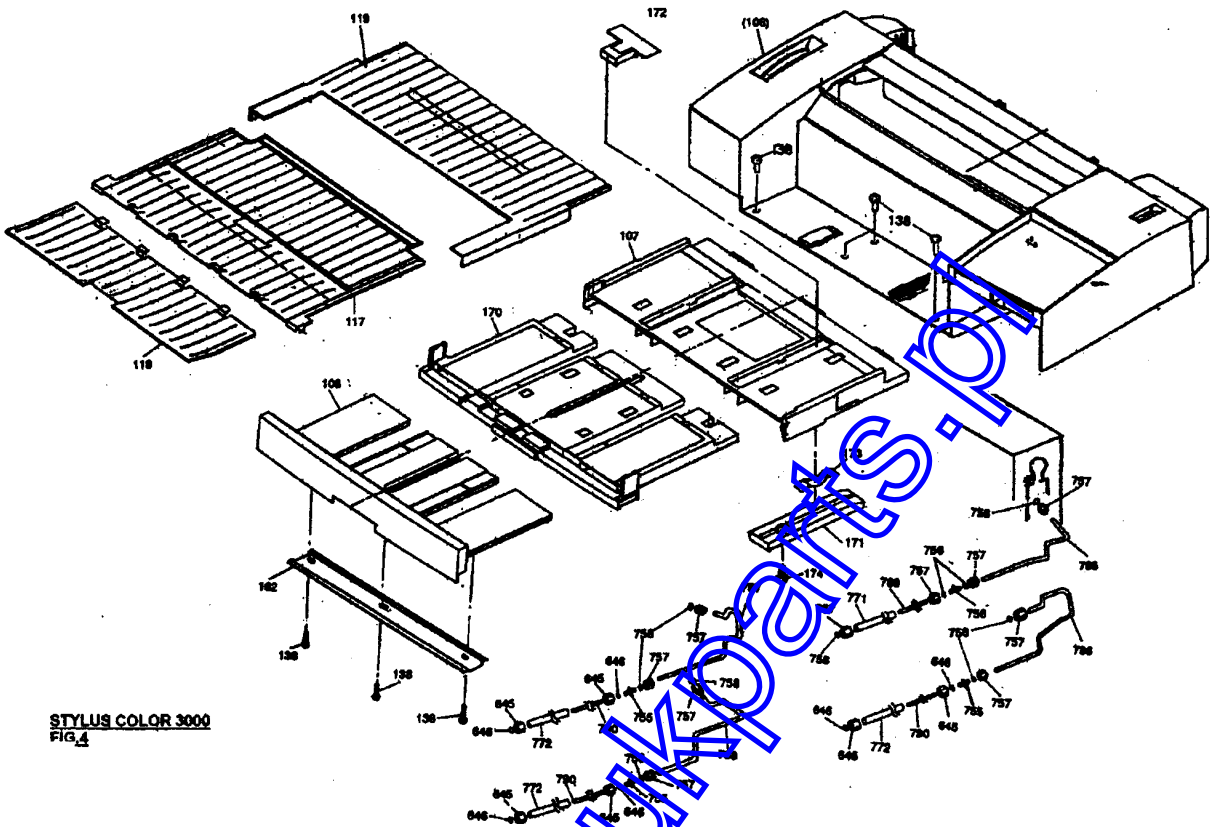
EXPLODED DIAGRAM FOR STYLUS COLOR 3000 (3) Rev.02 1862

EPSON

STYLUS COLOR 3000

(IMPORTANT ITEMS IN BOLD TYPE)

Page 10



STYLUS COLOR 3000
FIG. 4

www.druckershop.nl