

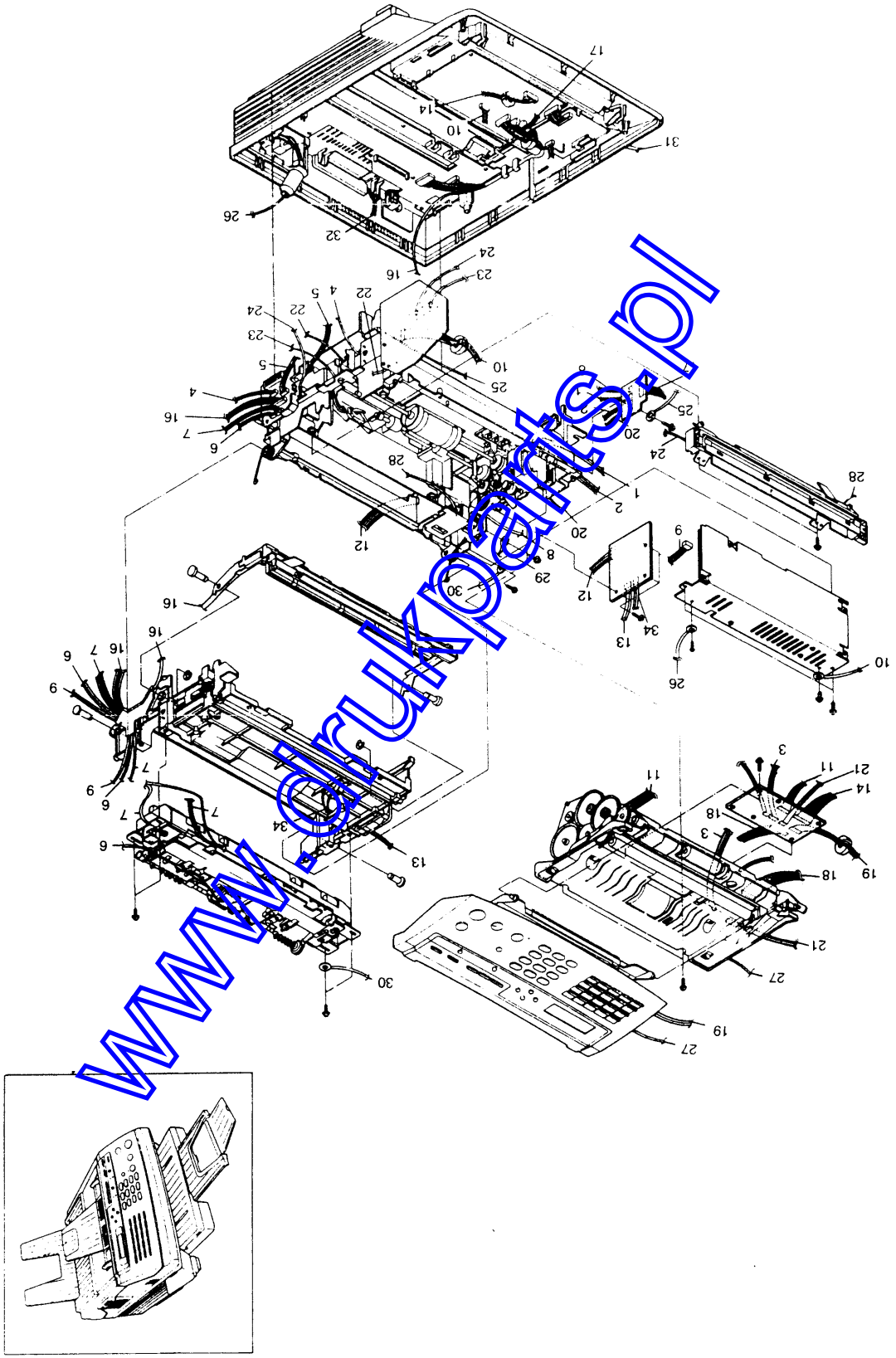
# **CHAPTER 7**

## **Expoloded view and Exploed view parts list**

---

[www.drukparts.pl](http://www.drukparts.pl)

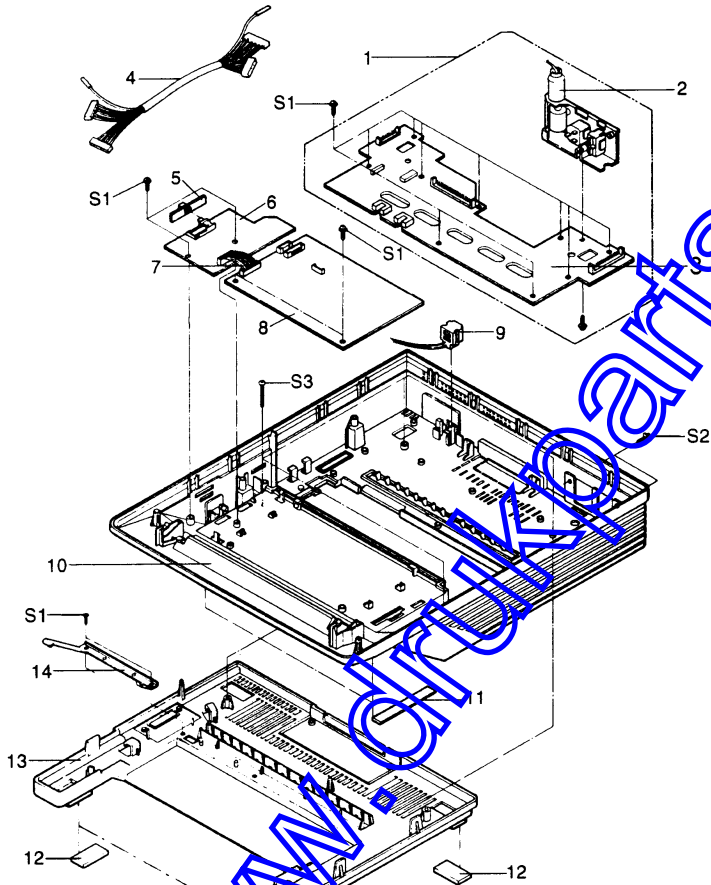
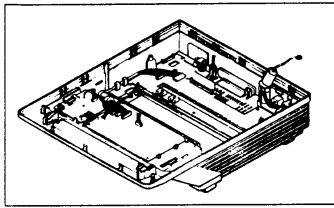
7.10 HARNESS UNIT ASSEMBLY



MAIN ASSEMBLY

ITEM NO.	DESCRIPTION	SEC PART NO.	Q'TY	ETC
1	ASS'Y-SCAN UNIT	139 - 230524AAAR	1	
2	ASS'Y-OPE UNIT	139 - 230511AAAR	1	
3	ASS'Y-SCAN LOWER UNIT	139 - 230525QAAA	1	
4	COVER-MIDDLE	821 - 310932AP	1	
5	MEP,P/S,AC/DC	953 - 140021MD	1	
6	ASS'Y-CASSETTE	139 - 230517AACA	1	
7	CHUTE	811 - 311194AA	1	
8	CHUTE	821 - 310830AA	1	
9	DUMMY-CHUTE	821 - 310967AA	1	
10	ASS'Y-BASE	139 - 230516CHAA	1	
11	ASS'Y-ENGINE	139 - 230549BAAA	1	
12	MEP,P/S,DC/DC,HVPS	953 - 140021NA	1	
13	COVER-HARNES	821 - 310820AA	1	
14	ASS'Y-ENGINE LOWER	139 - 230551AAAA	1	
15	ASS'Y-ENGINE UPPER	139 - 230562BAAA	1	
16	SHAFT-HINGE	813 - 314050AA	2	
17	COVER-REAR	821 - 310931AA	1	
18	ASS'Y-TOP COVER	139 - 230513AAAA	1	
19	STACKER-RX	821 - 310972AA	1	
S1	MACHINE,E,BH,+.M4,L6	841 - 010019AA	1	
S2	SCREW,TAPTITE,B,PH,+.M3,L8	847 - 501007EG	2	
S3	SCREW,TAPTITE,F,B,PH,+.M3,L10	847 - 502001AC	20	
W1	MISCEL,RING E #5	847 - 150010AB	2	

## 7.2 BASE UNIT ASSEMBLY

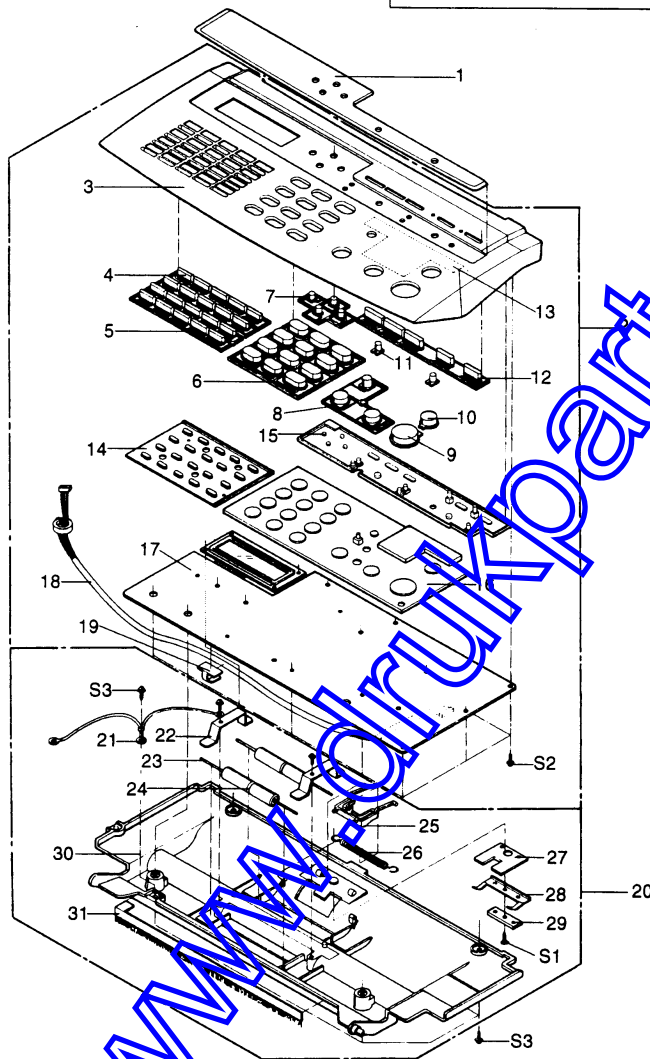
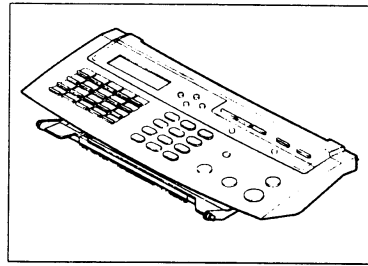


**BASE UNIT ASSEMBLY**

ITEM NO.	DESCRIPTION	SEC PART NO.	Q'TY	ETC
1	PBA,MOTHER	650 - 317505AAAA	1	
2	ASS'Y-INLET	139 - 230530AAAA	1	
3	PCB,MOTHER	947 - 317505AA	1	
4	CBF-CONN,ASS'Y,350mm,22/10P	955 - 317502ADFZ	1	
5	DUMMY-VOLUME	821 - 310520DA	1	
6	PBA,LIU	650 - 317502ABAC	1	
7	CBF,CABLE-ASS'Y,40mm	955 - 317530AEAZ	1	
8	PBA,MAIN	650 - 317520AABB	1	
9	LIU-LINE,5P,460mm	955 - 317555AEGZ	1	
10	COVER-BASE	821 - 310931AA	1	
11	STICKER-DUMMY	821 - 317028CA	2	
12	FOOT-RUBBER	821 - 315016AA	4	
13	BASE-DUMMY	821 - 310976AA	1	
14	PLATE EARTH	813 - 315085AA	1	
S1	SCREW,TAPTITE,B,BH,+,M3,L8	847 - 501007EG	4	
S2	SCREW,TAPTITE,F,B,PH,+,M3,L10	847 - 502001AC	2	
S3	SCREW,TAPTITE,F,B,PH,+,M3,L16	847 - 501001AS	4	

[www.drukparts.pl](http://www.drukparts.pl)

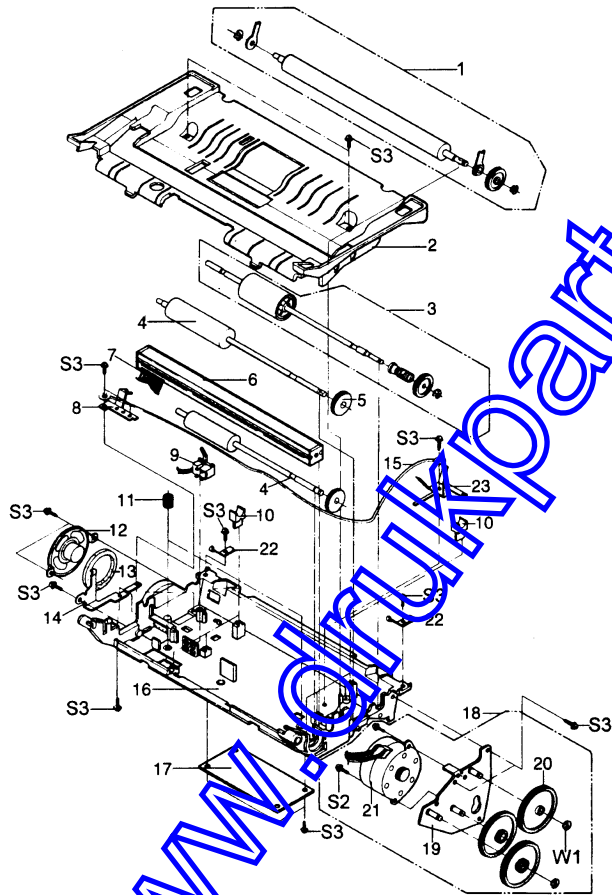
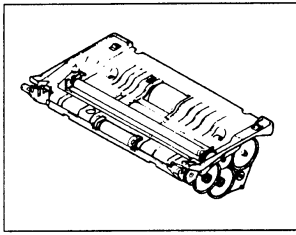
### 7.3 OPE UNIT ASSEMBLY



OPE UNIT ASSEMBLY

ITEM NO.	DESCRIPTION	SEC PART NO.	Q'TY	ETC
1	COVER-LCD	821 - 310945AK	1	
2	ASS'Y-OPE COVER	139 - 230512AAAR	1	
3	COVER-OPE	821 - 310944AR	1	
4	KEY-ONE TOUCH(1)	821 - 310951DA	1	
5	KEY-ONE TOUCH(2)	821 - 310952DA	1	
6	KEY-TEL(3x4)	821 - 310946AA	1	
7	KEY-SCROLL	821 - 310964AA	1	
8	KEY-COPY	821 - 310948AA	1	
9	KEY-START	821 - 310949DA	1	
10	KEY-STOP	821 - 310950DA	1	
11	KEY-CONTRAST	821 - 310828AA	2	
12	KEY-FUNCTION	821 - 310947AA	1	
13	PLATE-SHIELD	815 - 312023AA	1	
14	RUBBER-CONTACT(ONE)	821 - 315170AA		
15	RUBBER-CONTACT(FUNC.)	821 - 315171AA		
16	RUBBER-CONTACT(TEL.)	821 - 315172AA		
17	PBA,OPE	650 - 317503AA	1	
18	ASS'Y-SCAN OPE,530mm,5P	955 - 317506AA	1	
19	MISCEL,METAL CLAMP	857 - 170040AA	1	
20	ASS'Y-SCAN UPPER	139 - 230523AAAA	1	
21	EARTH SCAN,140mm	955 - 317519AA	1	
22	SPRING-PINCH	813 - 312144AA	2	
23	SHAFT-PINCH	813 - 314036BA	2	
24	ROLL-PINCH	821 - 310930AA	4	
25	SUPPORT-ADF	821 - 310929AA	1	
26	SPRING-COIL	813 - 315060AA	1	
27	RUBBER-ADF	821 - 315173AA	1	
28	SPRING-ADF(2)	813 - 312150AA	1	
29	HOLDER-ADF	813 - 312200AA	1	
30	FRAME-SCAN UPPER	821 - 310928AA	1	
31	BRUSH-ANTISTATIC(S)	811 - 311180AA	1	
S1	SCREW,TAPTITE,B,PH,+M3,L8	842 - 243008AB	1	
S2	SCREW,TAPTITE,B,PH,+M3,L6	847 - 501001AA	14	
S3	SCREW,TAPTITE,B,PH,+M3,L8	847 - 502001AA	7	

7.4 SCANNER UNIT FRAME ASSEMBLY



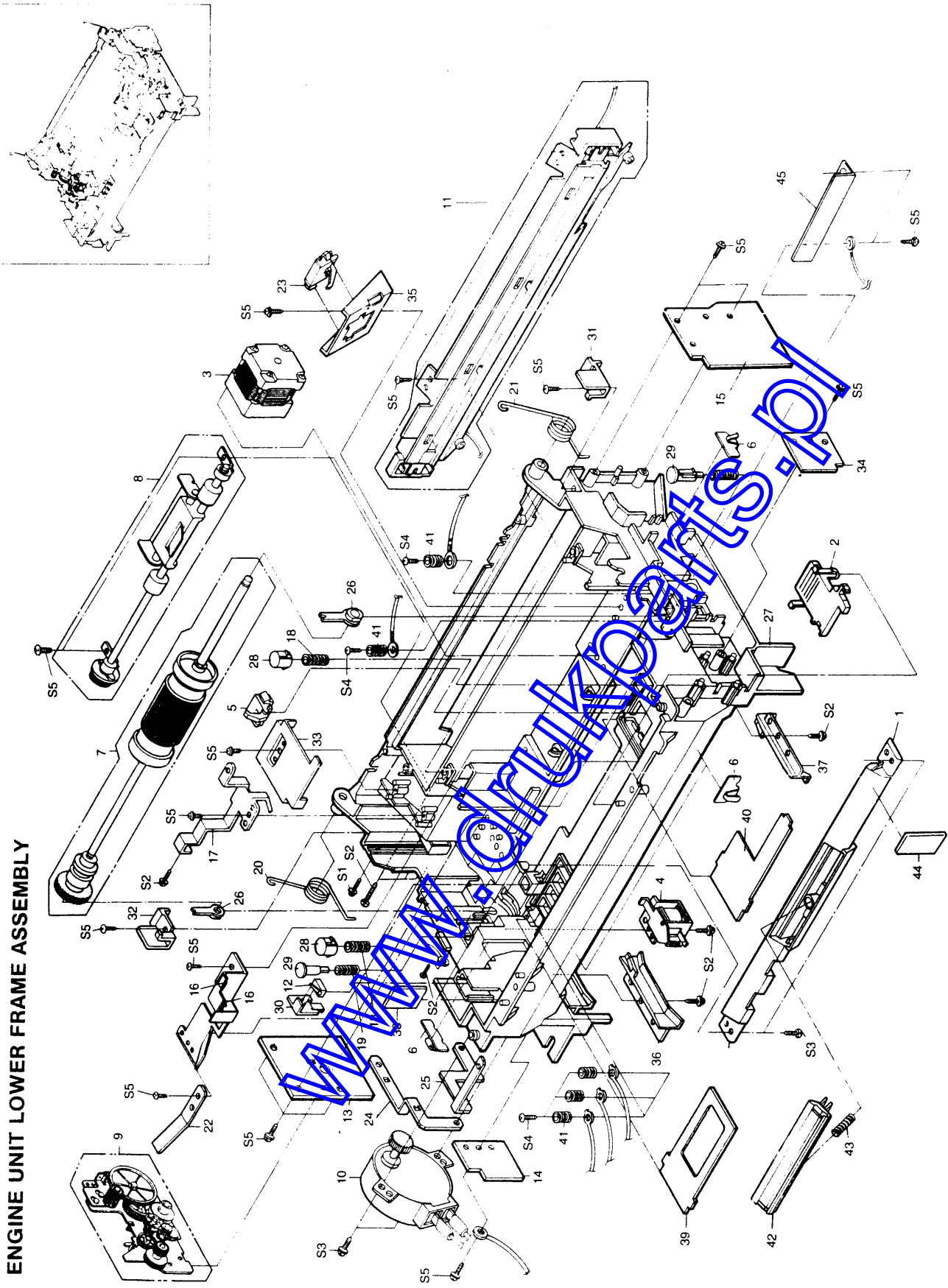


SCANNER UNIT FRAME ASSEMBLY

ITEM NO.	DESCRIPTION	SEC PART NO.	Q'TY	ETC
1	ASS'Y-WHITE ROLLER	139 - 230528AAAA	1	
2	PAPER-SCAN GUIDE	821 - 310924AA	1	
3	ASS'Y-ADF ROLLER	139 - 230527AAAA	1	
4	ROLLER-DRIVE	811 - 311177AA	2	
5	GEAR-DRIVE	821 - 311262AA	2	
6	IMAGE SENSOR	895 - 390010AA	1	
7	ASS'Y-SCAN CIS,170mm,10P	955 - 317505ABHZ	1	
8	SPRING-EARTH(C)	813 - 312142AA	1	
9	INTERRUPTER,TR, OS-570203-613A	895 - 610012AB	1	
10	BUSHING-SUPPORT	821 - 310133AA	6	
11	SPRING-CIS	813 - 315061AA	3	
12	SPEAKER,0.5W,8 OHM	939 - 040001AD	1	
13	SPONGE-RING	829 - 311017AA	1	
14	SPRING-EARTH(B)	813 - 312141AA	1	
15	CBF,WIRE TERMINAL LUG, 135mm	955 - 317532ABHZ	1	
16	FRAME-SCAN LOWER	821 - 310923AA	1	
17	PBA,SCAN	650 - 317504AAZ	1	
18	ASS'Y-SCAN MOTOR	139 - 230526AAAA	1	
19	BRACKET-MOTOR	813 - 317044AA	1	
20	GEAR-IDLE	821 - 311263AA	3	
21	MOTOR,24V,7.5DEG,6PIN	955 - 280023LA	1	
22	LOCKER-TX	813 - 3120217AA	2	
23	SPRING-EARTH(A)	813 - 312140AA	1	
S1	SCREW,TAPTITE,B.PH,+,M3,L8	847 - 501007EG	2	
S2	SCREW,TAPTITE,F.S.PH,+,M3,L6	847 - 502001BA	2	
S3	SCREW,TAPTITE,F.B.PH,+,M3,L8	847 - 502001AA	13	
W1	MISCEL,RING E,#3	857 - 150010AL	5	

www.druckparts.pl

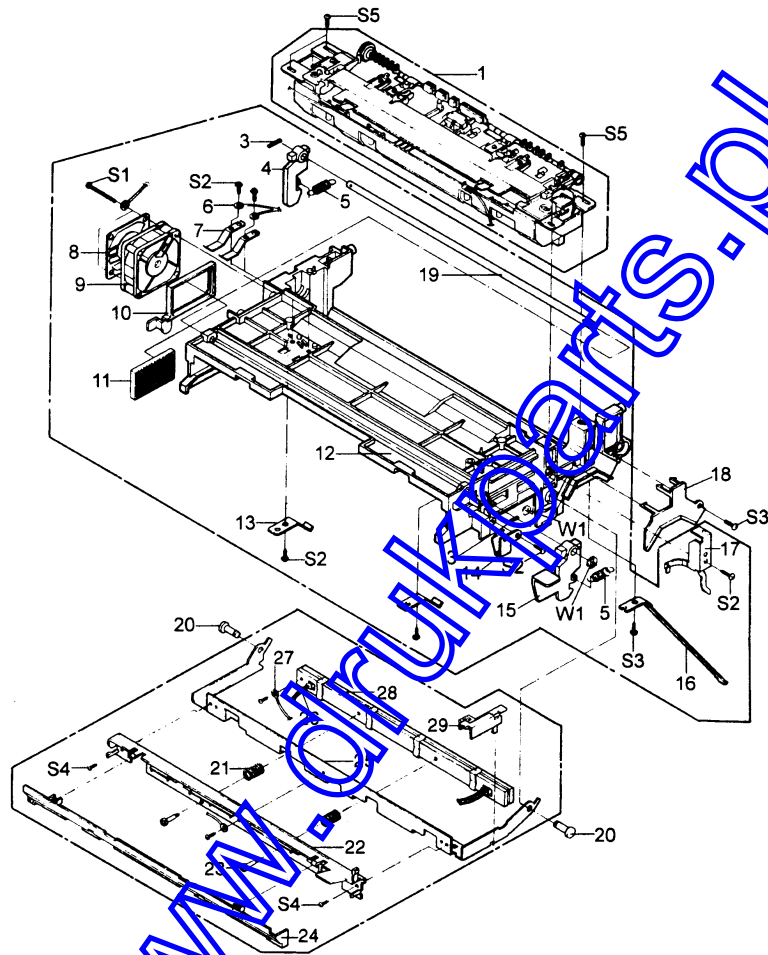
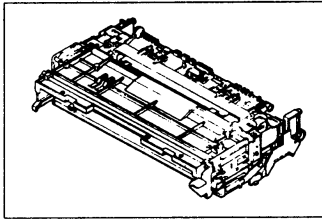
7.5 ENGINE UNIT LOWER FRAME ASSEMBLY



**ENGINE UNIT LOWER FRAME ASSEMBLY**

ITEM NO.	DESCRIPTION	SEC PART NO.	Q'TY	ETC
1	GUIDE-PAPER	821 - 310903AA	1	
2	CLEAN TRANSFER	811 - 311206AA	1	
3	MOTOR-SEP,4.2V,1.8DEG	953 - 280048AB	1	
4	MAG-DC,SOLENOID,DFH-08N2	937 - 330007AA	1	JG33-10500A
5	PEMPTY SENSOR	895 - 610015AA	1	
6	MISCEL,METAL CLAMP	857 - 170040AA	3	
7	ASS'Y-PICK UP ROLLER(E)	139 - 230554AAAA	1	JG97-00512A
8	ASS'Y-FEED ROLLER(E)	139 - 230556AAAA	1	
9	ASS'Y-GEAR BOX(E)	139 - 230557AAAA	1	
10	ASS'Y-DEV. MOTOR(E)	139 - 230559AAAA	1	
11	ASS'Y-TRANSFER(E)	139 - 230560AAAA	1	
12	ASS'Y-MICRO SWITCH	139 - 230574AAAA	1	
13	PBA,MECH	650 - 317506AAAA	1	
14	PBA,CONN.	650 - 317509AAAA	1	
15	PBA,SENSOR	650 - 317507AAAA	1	
16	BRUSH-FEED(E)	811 - 311187AA	1	
17	PLATE-GROUND(1)	815 - 312077AA	1	
18	SPRING-DEV.	813 - 315087AA	2	
19	SPRING-SUPPORT(LED)	813 - 315068AA	2	
20	SPRING-HINGE(L)	813 - 315073AA	1	
21	SPRING-HINGE(R)	813 - 315074BA	1	
22	PLATE-GROUND(3)	815 - 312028AA	1	
23	PICK-UP SENSOR	895 - 610015AB	1	
24	PLATE-GROUND(5)	815 - 312030AA	1	
25	PLATE-GROUND(6)	815 - 312031AA	1	
26	BUSHING-SHAFT	821 - 310785AA	2	
27	FRAME-LOWER(E)	821 - 310821AA	1	
28	SUPPORT-DEV.	821 - 310822AA	2	
29	SUPPORT-LED	821 - 310823AA	2	
30	BRACKET-MICRO S/W	821 - 310824AA	1	
31	SUPPORT-HINGE(R)	821 - 310825AA	1	
32	SUPPORT-HINGE(L)	821 - 310826AA	1	
33	CAP-GROUND	821 - 310827AA	1	
34	BRACKET-HARNESS	821 - 310829AA	1	
35	BRACKET-JAM SENSOR	821 - 310906AA	1	
36	GUIDE-CASSETTE(L)	821 - 310912AA	1	
37	GUIDE-CASSETTE(R)	821 - 310913AA	1	
38	SUPPORT-RUP ROLLER	821 - 315190AA	2	
39	COVER-SENSOR(T)	821 - 317165AA	1	
40	COVER-SENSOR(L)	821 - 317166AA	1	
41	SPRING-TERMINAL(L)	831 - 522042EA	5	
42	ASS'Y-PAD,FRICITION	139 - 230590AAAA	1	
43	SPRING PAD	813 - 315076AA	1	
44	FILM SENSOR	821 - 317186AA	1	
45	BRUSH-PAPER	811 - 311213AA	1	
S1	SCREW,MACHINE,B,PH,+,M3,L10	841 - 810004AB	1	
S2	SCREW,MACHINE,B,PH,+,M3,L8	841 - 810002AC	9	
S3	SCREW,MACHINE,B,PH,+,M3,L6	841 - 613008BB	2	
S4	SCREW,TAPTITE,B,PH,+,M3,L8	847 - 501001AB	5	
S5	SCREW,TAPTITE,B,PH,+,M3,L8	847 - 501007EG	25	

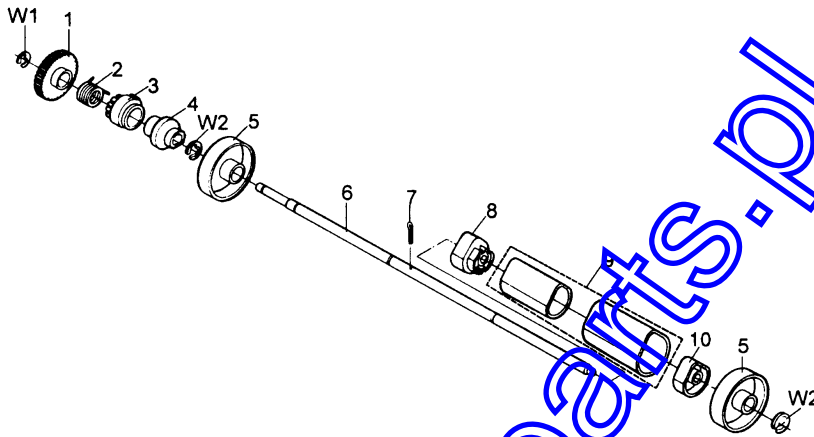
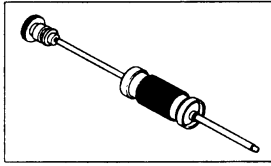
## 7.6 ENGINE UNIT UPPER FRAME ASSEMBLY



## ENGINE UNIT UPPER FRAME ASSEMBLY

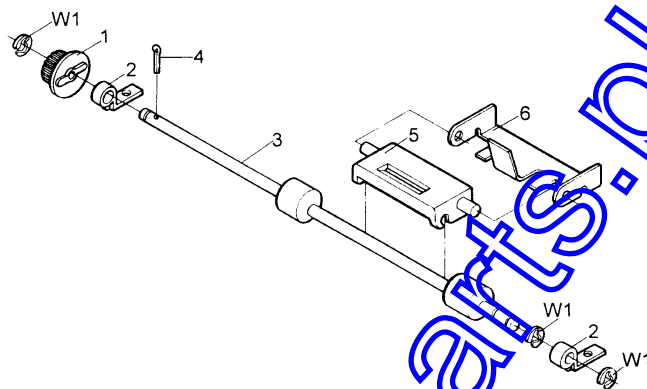
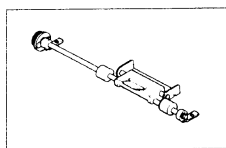
ITEM NO.	DESCRIPTION	SEC PART NO.	Q'TY	ETC
1	ASS'Y-FUSER(E)	139 - 230565BAAA	1	J696-00563B
2	ASS'Y-FRAME UPPER(E)	139 - 230563AAAA	1	
3	PIN-PICK UP	813 - 314049AA	2	
4	HOLDER-LOCKER(L)	821 - 310846AA	1	
5	SPRING-LOCKER(E)	813 - 315072AA	2	
6	ASS'Y-OPC FUSE, 295mm, 3P	955 - 317535ACJZ	1	
7	PLATE-FUSE	813 - 315087AA	2	
8	FILM-FAN	821 - 317169AA	1	
9	FAN-DC, 24V 45mA, 3400RPM	953 - 281012BE	1	
10	HOLDER-FILTER	821 - 310810AA	1	
11	FILTER-OZONE	961 - 980074AA	1	
12	FRAME-UPPER(E)	821 - 310842AA	1	
13	SPRING-PLATE(OPC)	813 - 312124AA	2	
14	SPRING-LOCKER(LED)	813 - 312125AA	1	
15	HOLDER-LOCKER(R)	821 - 310847AA	1	
16	TIE-STOPPER	821 - 310848AA	1	
17	PLATE-GROUND(OPC)	815 - 312025AA	1	
18	COVER-WIRE(H)	821 - 310849AA	1	
19	SHAFT-LOCKER	813 - 314048AA	1	
20	SHAFT-LED	813 - 314047AA	2	
21	SPRING-LED	813 - 315071AA	2	
22	HOLDER-LED	821 - 310843AA	1	
23	SHAFT-SCREW(LED)	813 - 314046AA	2	
24	COVER-HOLDER	821 - 310844AA	1	
25	BRACKET-LED	813 - 310287AA	1	
26	ASS'Y-LPH SENSOR, 570mm, 12/84E	955 - 317503AFHZ	1	
27	CBF-TERMINAL LUG, 110mm	955 - 317538ABBZ	1	
28	LED PRINT HEAD	895 - 390012AA	1	
29	COVER-WIRE	821 - 310845AA	1	
S1	SCREW, TAPPING, PH, +, 2, M3, L26	842 - 840004AB	2	
S2	SCREW, TAPTITE, B, BH, +, M3, L8	847 - 501007ED	6	
S3	SCREW, TAPTITE, B, BH, +, M3, L8	847 - 501007EG	2	
S4	SCREW, MACHINE, BH, +, M3, L6	841 - 613008BB	4	
S5	SCREW, TAPTITE, B, BH, +, M3, L8	847 - 501007EG	4	
W1	MISCEL., RING-E, #4	857 - 150010AA	3	

### 7.7 PICK-UP UNIT ASSEMBLY (In Engine Unit)



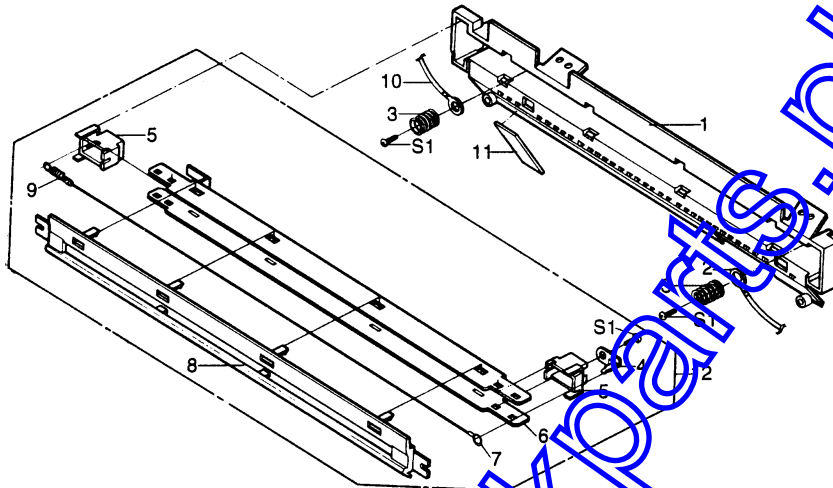
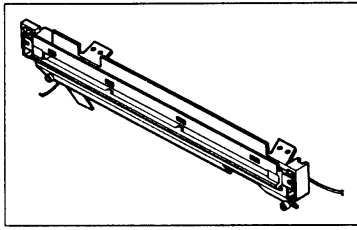
ITEM NO.	DESCRIPTION	SEC. PART NO.	Q'TY	ETC
1	GEAR-CLUTCH	821 - 310893AA	1	
2	SPRING-CLUTCH	831 - 323041AA	1	
3	COLLAR-SPRING	821 - 310894AA	1	
4	HUB-CLUTCH	821 - 310895AA	1	
5	ROLL-PICK UP	821 - 310896AA	2	
6	SHAFT-PICK UP	813 - 314052AA	1	
7	PIN-PICK UP	813 - 314049AA	1	
8	HOUSING-PICK UP(L)	821 - 310897AA	1	
9	ASS'Y-ROLLER HOUSING(PU)	139 - 230555AAAA	1	
10	HOUSING-PICK UP(R)	821 - 310899AA	1	
W1	MISCEL.RING #4	857 - 150010AA	1	
W2	MISCEL.RING E#6	857 - 150010AC	2	

7.8 FEED-ROLLER UNIT ASSEMBLY (In Engine Unit)



ITEM NO.	DESCRIPTION	SECT. PART NO.	Q'TY	ETC
1	GEAR-FEED	821 - 310902AA	1	
2	BUSHING-FEED	821 - 310901AA	2	
3	ROLLER-FEED	811 - 311186AA	1	
4	PIN-PICK UP	813 - 314049AA	1	
5	ARM-FEED	821 - 310900AA	1	
6	SPRING-ARM	813 - 312135AA	1	
W1	MISCEL.RING E.#4	857 - 150010AA	3	

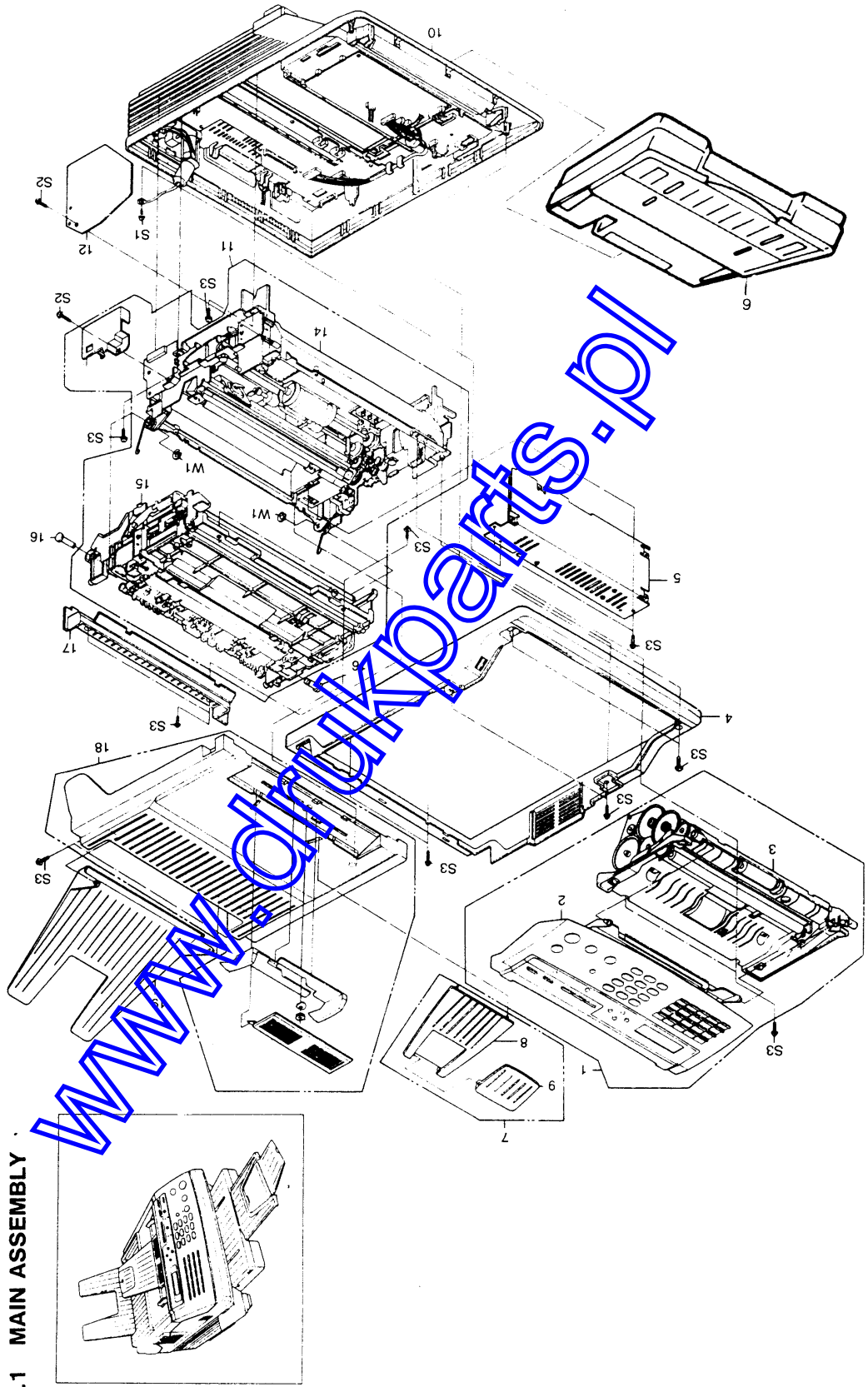
## 7.9 TRANSFER UNIT ASSEMBLY



ITEM NO.	DESCRIPTION	SEC PART NO.	Q'TY	ETC
1	HOUSING-TRANSFER	821 - 310890AA	1	
2	TC WIRE,250mm	955 - 317513ACFZ	1	
3	SPRING-TERMINAL	813 - 315065AA	2	
4	PLATE-TERMINAL	813 - 312132AA	1	
5	END BLOCK	821 - 310891AA	2	
6	SHIELD CASE-TC	813 - 312133AA	1	
7	CBF,CORONA WIRE	955 - 317524ACEZ	1	
8	GUIDE-TRANSFER	821 - 310892AA	1	
9	SPRING-CORONA	813 - 315066AA	1	
10	EARTH TC,60mm	955 - 317520AAHZ	1	
11	FILM-GUIDE	821 - 310991AA	1	
12	ASS'Y-GUIDE TRANSFER	139 - 230589AAAA	1	
S1	SCREW,TAPTITE 6,PH,+,M3,L6	847 - 501001AA	3	



**Chapter 7 EXPLODED VIEW & EXPLODED VIEW  
PARTS LIST**



**7.1 MAIN ASSEMBLY**

HARNES UNIT ASSEMBLY

ITEM NO.	DESCRIPTION	SEC PART NO.	Q'TY	ETC
1	ASS'Y-AC MOTOR,80mm,2P	955 - 317508AAJZ		
2	ASS'Y-TONER SCANNER,230mm,3P	955 - 317510ACDZ		
3	DOC SCANNER SENSOR	895 - 610012AB		
4	PEMPTY SENSOR	895 - 610015AA		
5	PICK-UP SENSOR	895 - 610015AB		
6	P-EXIT SENSOR	895 - 615009AA		
7	THER, THERMISTOR ASS'Y	897 - 110537AA		
8	MAG-DC SOLENOID,DFH-08N2	937 - 330007AA		
9	LAMP-HALOGEN,220V,348A	951 - 540100BD		
10	MEP,P/S,DC/DC,HVPS	953 - 140021NA		
11	MEP,MOTOR,24V,7.5DEG,6PIN	953 - 280023LA		
12	MOTOR-STEP,4.2V,1.8DEG	953 - 280048AB		
13	FAN-DC,24V,45mA,3400RPM	953 - 281012BE		
14	ASS'Y-MAIN SCAN,150mm,22P	955 - 317501ABFZ		
15	ASS'Y-MAIN MOTOR,350mm,22/10	955 - 317502ADFZ		
16	ASS'Y-LPH SENSOR,570mm,12/8/4	955 - 317503AFHZ		
17	ASS'Y-MAIN CONN,160mm,7P	955 - 317504AFDZ		
18	ASS'Y-SCAN CIS,170mm,10P	955 - 317505ABFZ		
19	ASS'Y-SCAN OPE,530mm,5P	955 - 317506AFDZ		
20	ASS'Y- COVER SW,100mm,2P	955 - 317507ABAZ		
21	ASS'Y-SPEAKER,180mm,2P	955 - 317509ABDZ		
22	BIAS WIRE,90mm	955 - 317511ABKZ		
23	CC WIRE,230mm	955 - 317512ACDZ		
24	TC WIRE,250mm	955 - 317513ACFZ		
25	EARTH HVPS,340mm	955 - 317514ADJZ		
26	EARTH INLET,210mm	955 - 317518ACBZ		
27	EARTH SCAN,140mm	955 - 317519ABEZ		
28	EARTH TC,70mm	955 - 317520AAHZ		
29	EARTH SOLENOID,60mm	955 - 317523AAFZ		
30	EARTH FAN FRAME,165/100mm	955 - 317525ABHZ		
31	LIU-LINE,5P,460mm	955 - 317555AEGZ		
32	UNUSED			
33	ASS'Y-OPE FUSE,295mm,3P	955 - 317535ACJZ		

www.drunkarts.pl