

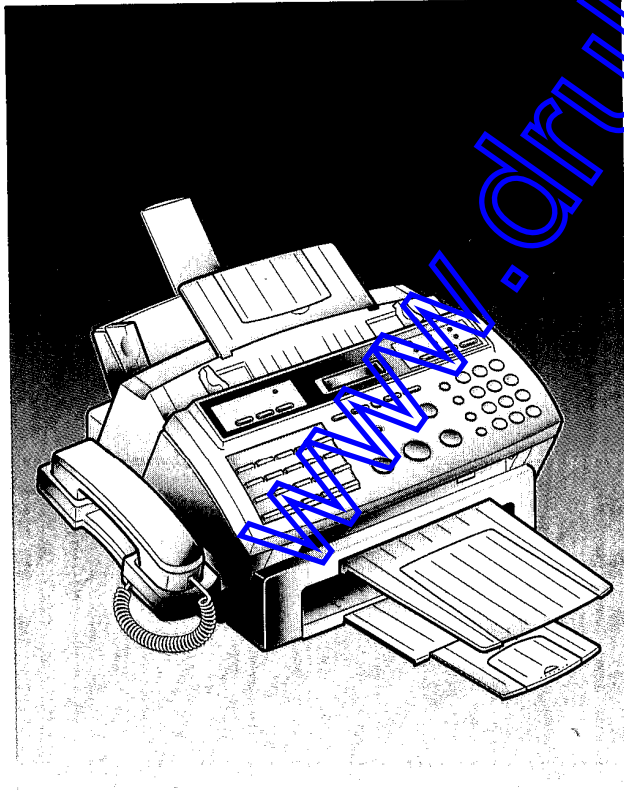
SAMSUNG

FACSIMILE

SF4220 SEI
(ITALY)

APPENDIX PARTS LIST

FACSIMILE



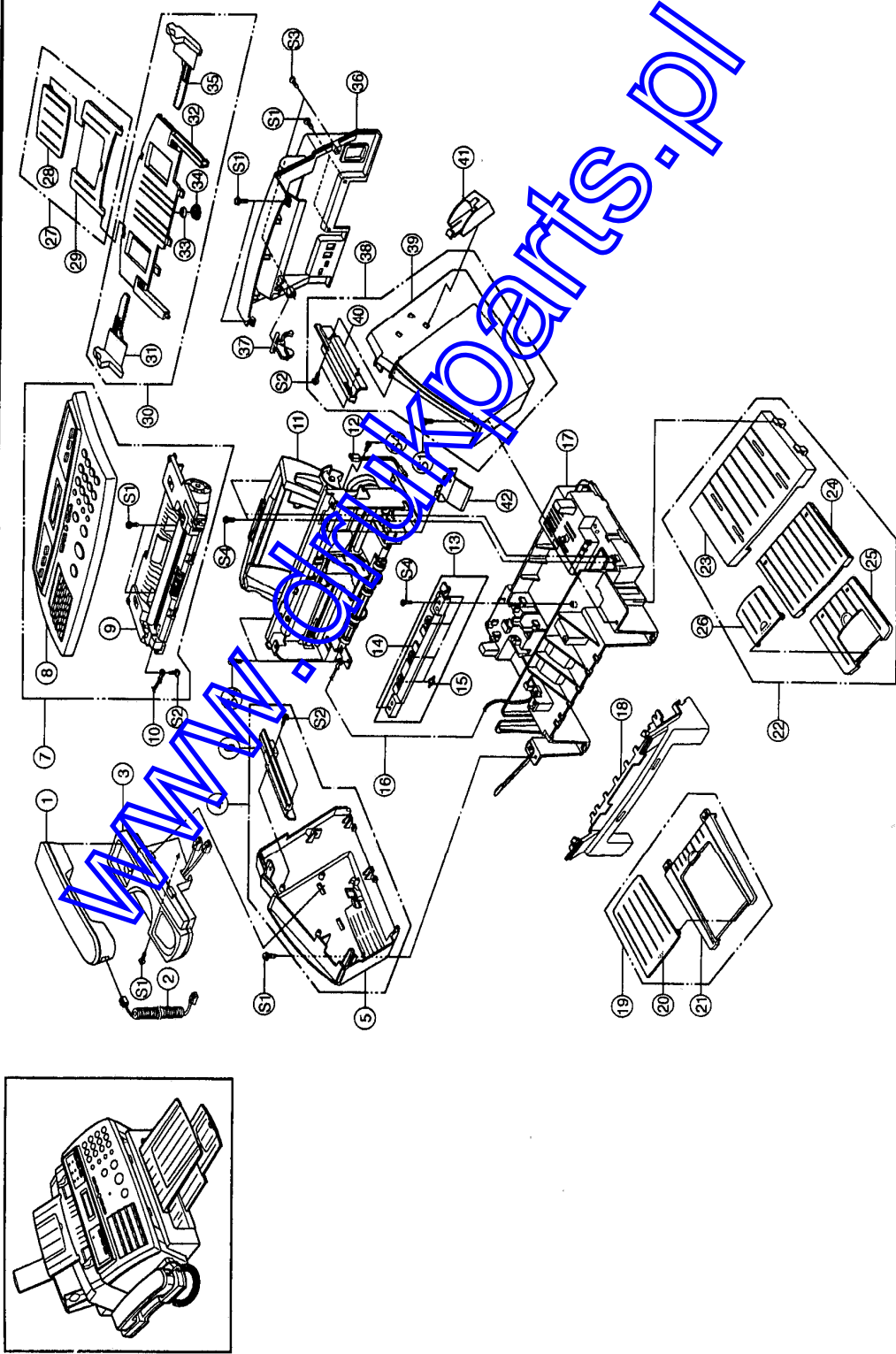
CONTENTS

- 1. Exploded View and Parts List.....1-1
 - 1-1. Main Assembly
 - 1-2. OPE Unit Assembly
 - 1-3. Base Assembly
 - 1-4. Scan Lower Unit Assembly
 - 1-5. Paint Assembly
 - 1-6. Cradle Assembly
 - 1-7. Handset Assembly

Service Manual Code:JG68-60551A

1. Exploded Views and Parts List

1-1. Main Assembly



Main Assembly Parts List

Location No.	Description	SEC. Code	Q'ty	Remark
1	HANDSET	JF96-00019A	1	
2	CURL CORD	JF39-60002A	1	
3	CRADLE	JG96-00004B	1	
4	SIDE COVER (L) (M)	JG75-10018A	1	
5	COVER, SIDE (L) (M)	*	1	
6	GUIDE, TOP (L)	*	1	
7	SCAN UNIT	JG96-00033E	1	
8	OPE UNIT	JG96-00035F	1	
9	SCAN, LOWER	JG96-00009B	1	
10	HARNESS, GROUND	*	1	SCAN LOWER
11	PRINT	JG96-00032A	1	
12	LEVER S/W ASS'Y	JG96-00045A	1	
13	FIXING EXIT ASS'Y	JG75-10012A	1	
14	FIXING EXIT	*	1	
15	ASS'Y, STAR WHEEL	*	4	
16	HARNESS, GROUND	*	1	BASE-ENGINE
17	BASE	JG96-00002B	1	
18	COVER, FRONT	JG72-40017A	1	
19	STACKER, TX	JG75-10009A	1	
20	STACKER (1)	*	1	
21	STACKER (2)	*	1	
22	DUMMY, BASE ASS'Y	JG75-10011A	1	
23	DUMMY, BASE	*	1	
24	STACKER, RX(2)	*	1	
25	STACKER, RX(1)	*	1	
26	STACKER, FLIP	*	1	
27	CHUTE	JG75-10008D	1	
28	CHUTE (2)	*	1	
29	CHUTE (1)	*	1	
30	TOP COVER ASS'Y	JG75-10007A	1	
31	GUIDE, DOC (L)	*	1	
32	COVER TOP	*	1	
33	SPRING, CURVE	*	1	
34	GEAR, PINION	*	1	
35	GUIDE, DOC (R)	*	1	
36	COVER, REAR (M)	JG72-40052A	1	
37	LEVER SENSOR	JG72-40034A	1	

Exploded Views and Parts List

Location No.	Description	SEC. Code	Q'ty	Remark
38	COVER SIDE UNIT ASS'Y	JG75-10017A	1	
39	COVER, SIDE (R) (C)	*	1	
40	GUIDE TOP (R)	*	1	
41	ASS'Y, GARAGE	JB98-00219A	1	
42	COVER HEAD	JG72-40818A	1	
S1	SCREW, TAPTITE, PWH, +, B, M3x10	6003-000196	7	
S2	SCREW, TAPTITE, BH, +, B, M3x8	6003-000015	5	
S3	SCREW, TAPTITE, PH, +, B, M3x16	6003-000163	2	
S4	SCREW, TAPTITE, BH, +, B, M3x10	6003-000103	6	

* : Service not Available

www.drukparts.pl

MEMO

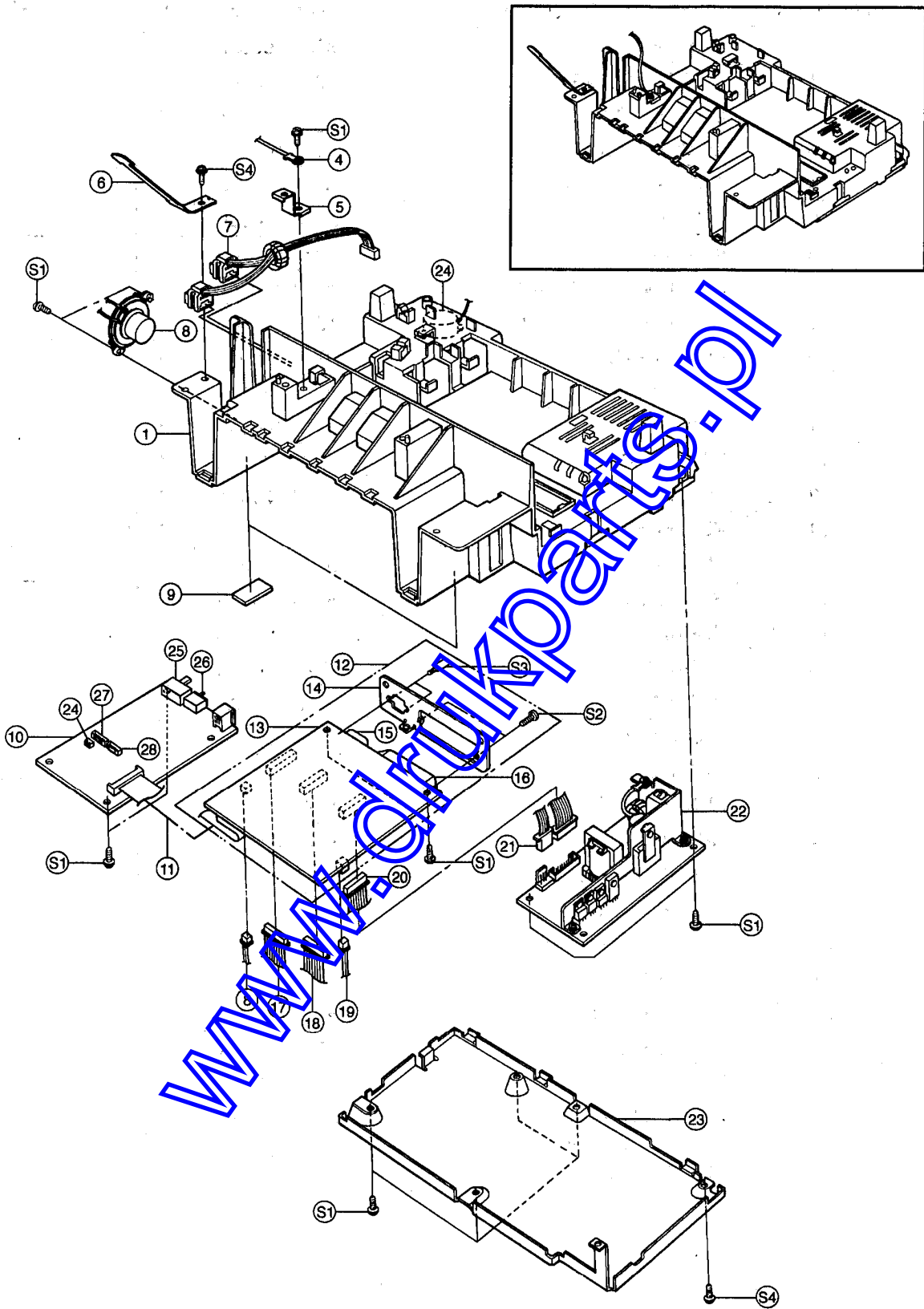
www.drukparts.pl

OPE Unit Assembly Parts List

Location No.	Description	SEC. Code	Q'ty	Remark
	OPE UNIT	JG96-00035F	1	
1	OPE COVER ASS'Y	JG96-00034F	1	
2	COVER, LCD (M)	JG74-10525E	1	
3	COVER ADDRESS	JG74-10002A	1	
4	PAPER ADDRESS	JG74-10004D	1	
5	COVER OPE	JG72-40005D	1	
6	KEY, MODE	JG72-40014A	1	
7	KEY, ONE-TOUCH (HIGH)	JG72-40008A	1	
8	KEY, ONE-TOUCH (LOW)	JG72-40046A	1	
9	KEY, SCROLL	JG72-40007A	1	
10	KEY, STOP	JG72-40010A	1	
11	KEY, COPY	JG72-40004A	1	
12	KEY, START	JG72-40009A	1	
13	KEY, OHD	JG72-40003A	1	
14	KEY, MODE	JG72-40014A	1	
15	KEY, TEL	JG72-40006A	1	
16	RUBBER, A	JG73-10001A	1	
17	RUBBER, B	JG73-10002A	1	
18	RUBBER, C	JG73-10004A	1	
19	PBA, OPE	JG92-00568A	1	
21	SCAN, UPPER	JG96-00008B	1	
22	HARNESS, GROUND	*	1	SCAN-LOWER
23	PINCH	JG75-10015A	1	
24	GROUND SENSOR	JG71-10002A	1	
25	FRAME UPPER	JG72-40045A	1	
26	BRUSH ANTISTATIC	JG75-10004A	1	
27	SPRING-COIL	JG70-40514A	1	
28	ROLL PINCH	JG72-40663A	2	
29	SHAFT PINCH	JF70-40521B	1	
30	SUPPORT ADF	JG72-40043A	1	
31	RUBBER ADF	JG73-10003A	1	
32	HOLDER RUBBER	JG72-40044A	1	
S1	SCREW, TAPTITE, PH, +, B, M3x6	6003-000165	14	
S2	SCREW, TAPTITE, BH, +, B, M3x8	6003-000015	6	

* : Service not Available

1-3. Base Assembly

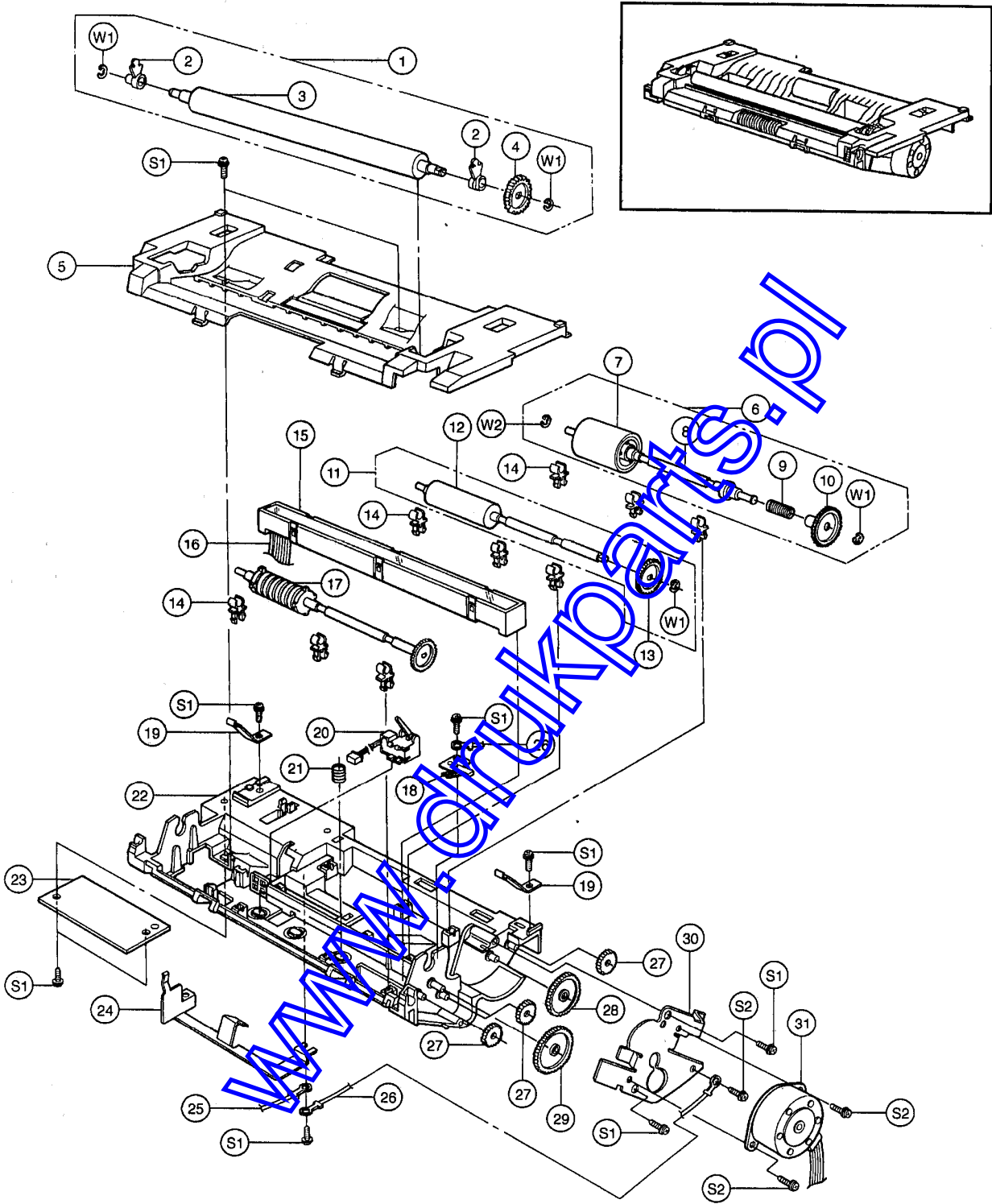


Base Assembly Parts List

Location No.	Description	SEC. Code	Q'ty	Remark
	BASE UNIT	JG96-00002B	1	
1	COVER, BASE	JG72-40016A	1	
4	HARNESS, GROUND	*	1	BASE-SCAN
5	GROUND BASE	JG70-10003A	1	
6	TIE STOPPER	JG72-40717A	1	
7	HARNESS, LIU-MJ	JG39-40132A	1	
8	SPEAKER	JG96-00030B	1	
9	FOOT RUBBER	JG61-40001A	2	
10	PBA, LIU	JG92-00012A	1	
11	HARNESS	JF39-40915A	1	MAIN-LIU
12	MAIN BOARD	*		
13	PBA, MAIN	JG92-00615A	1	
14	BRK, INTERFACE	JG70-10002A	1	
15	CONNECTOR-DSUB : 9P	3701-000216	1	
16	CONNECTOR-RIBBON : 36P	3702-001001	1	
17	HARNESS, MAIN-PRT	JG39-40919A	1	MAIN-PRINTER
18	HARNESS, MAIN/SCAN	JG39-40018A	1	MAIN-SCAN
19	HARNESS, MAIN-ASF LEVER SENSOR	JG39-40013A	1	LEVER
20	HARNESS, MAIN/SMPS	JG39-40016A	1	MAIN-SMPS
21	HARNESS, SMPS PRINTER B'D	*	1	SMPS
22	SMPS, AC, 220-240VAC	JG44-10002A	1	
23	CHASSIS MAIN	JG70-10001A	1	
24	BUZZER	3002-001004	1	
25	DP/MF MODE SWITCH	*	1	
26	RING VOLUME SWITCH	*	1	
27	HARNESS, LIU-HOOK	*	1	
28	HARNESS, LIU-OPE	*	1	
S1	SCREW, TAPTITE, BH, +, B, M3x8	6003-000015	13	
S2	SCREW, ASSY, MACH, WS, PH, +, M3x6	6006-000130	2	
S3	BOLT, FLEX, 4-40, L=8.2, NI	6046-000114	2	
S4	SCREW, TAPTITE, BH, +, B, M3x10	6003-000103	2	

* : Service not Available

1-4. Scan Lower Unit Assembly



Scan Lower Unit Assembly Parts List

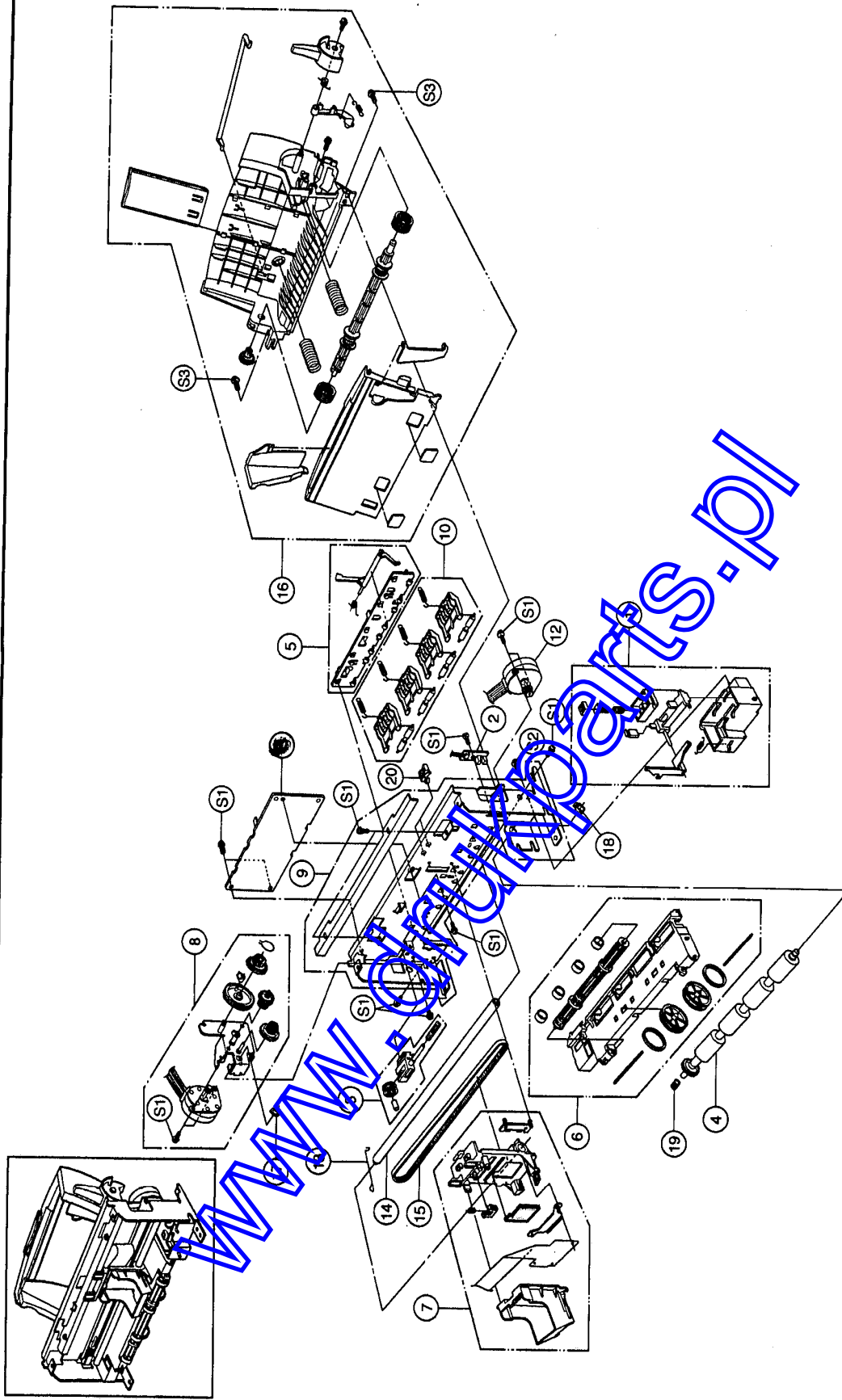
Location No.	Description	SEC. Code	Q'ty	Remark
	SCAN, LOWER	JG96-00009B	1	
1	WHITE ROLLER	JG97-00007A	1	
2	BUSHING WHITE	*	2	
3	ROLLER CIS	*	1	
4	GEAR DRIVE (B4)	*	1	
5	PAPER GUIDE	JG72-40039A	1	
6	ADF ROLLER	JG97-00006A	1	
7	ROLLER ADF	*	1	
8	SHAFT ADF	*	1	
9	SPRING CLUTCH	*	1	
10	GEAR ADF	*	1	
11	DRIVE ROLLER	JG97-00005A	1	
12	ROLLER DRIVE	*	1	
13	GEAR DRIVE (B4)	*	1	
14	BUSHING TX (B4)	JG72-40744A	9	
15	CIS, DL100-54C	895 / 890910AB	1	
16	HARNESS, SC/CIS	JG39-40020A	1	
17	SHAFT EXIT	JG72-40042A	1	
18	GROUND, DRIVE	JG70-10006A	1	
19	LOCKER-TX	JG64-30001A	2	
20	INTERRUPTER	0604-000234	1	
21	SPRING-CS	JG61-70002A	2	
22	FRAME LOWER	JG72-40037A	1	
23	PBA, SCAN	JG92-00563A	1	
24	NRP-GROUND CIS	JG71-10001A	1	
25	HARNESS, GROUND	*	1	
26	HARNESS, MOT GND	JG39-40014A	1	
27	GEAR-SPUR	JG66-40001A	3	
28	GEAR TRANS (B4)	JG72-40741A	1	
29	GEAR-DOUBLE	JG66-40002A	1	
30	BRACKET MOTOR	JG70-10004A	1	
31	MOTOR, STEP	3101-001002	1	
S1	SCREW, TAPTITE, BH, +, B, M3x8	6003-000015	10	
S2	SCREW, TAPTITE, PWH, +, B, M3x6	6003-000266	3	
W1	RING C, ID3, OD7, T0.6	*	4	
W2	RING C, ID5, OD11, T0.6	*	1	

* : Service not Available

MEMO

www.drukparts.pl

1-5. Print Assembly

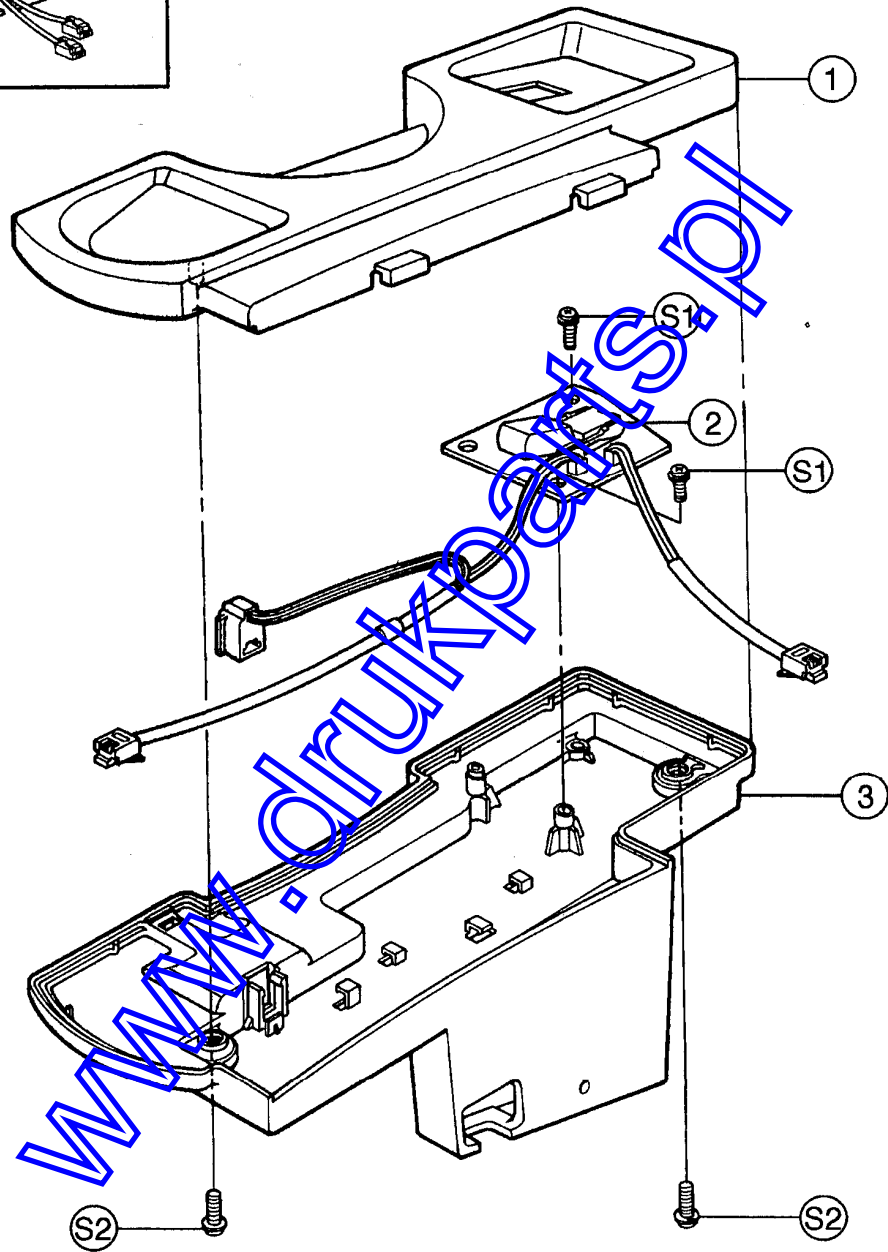
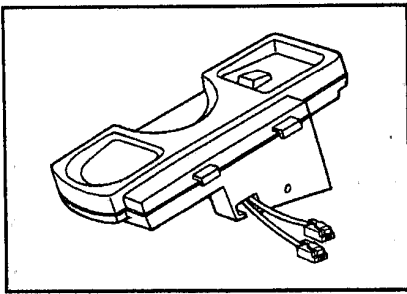


Print Assembly Parts List

Location No.	Description	SEC. Code	Q'ty	Remark
	PRINT	JG96-00032A	1	
1	HOME	JB75-10901A	1	
2	HOME SENSOR	JB96-00217A	1	
3	PULLEY IDLE	JB97-00222A	1	
4	ROLLER FEED	JB97-00242U	1	
5	ROLLER	JB97-00240A	1	
6	FRAME BASE	JB97-00230A	1	
7	CARRIAGE	JB97-00235A	1	
8	BRKT LF	JB97-00237A	1	
9	FRAME MAIN	JB97-00242A	1	
10	FRICTION ROL	JB97-00242T	1	
11	PBA, MAIN	JB92-00210C	1	
12	MOTOR-STEP, CR	JB31-40100A	1	
13	SPRING-CR, SHAFT	JB61-70007A	1	
14	ICT-SHAFT CR	JB76-40001A	1	
15	BELT-TIMING	JB66-20001A	1	
16	FEEDER	JB94-00208A	1	
17	BEARING-FEED (L)	JB66-10001A	1	
18	BEARING-FEED (R)	JB66-10002A	1	
19	SPRING-ES	6107-000003	1	
20	CLAMP-DAWS, 1NE	6502-000132	1	
S1	SCREW, TAPTITE, PH, S, M3x6	6003-000179	13	
S2	SCREW, TAPPING, PW, S, M3x8	6002-000175	1	
S3	SCREW, TAPTITE, BH, S, M3x5.5	6003-001016	2	

* : Service not Available

1-6. Cradle Assembly



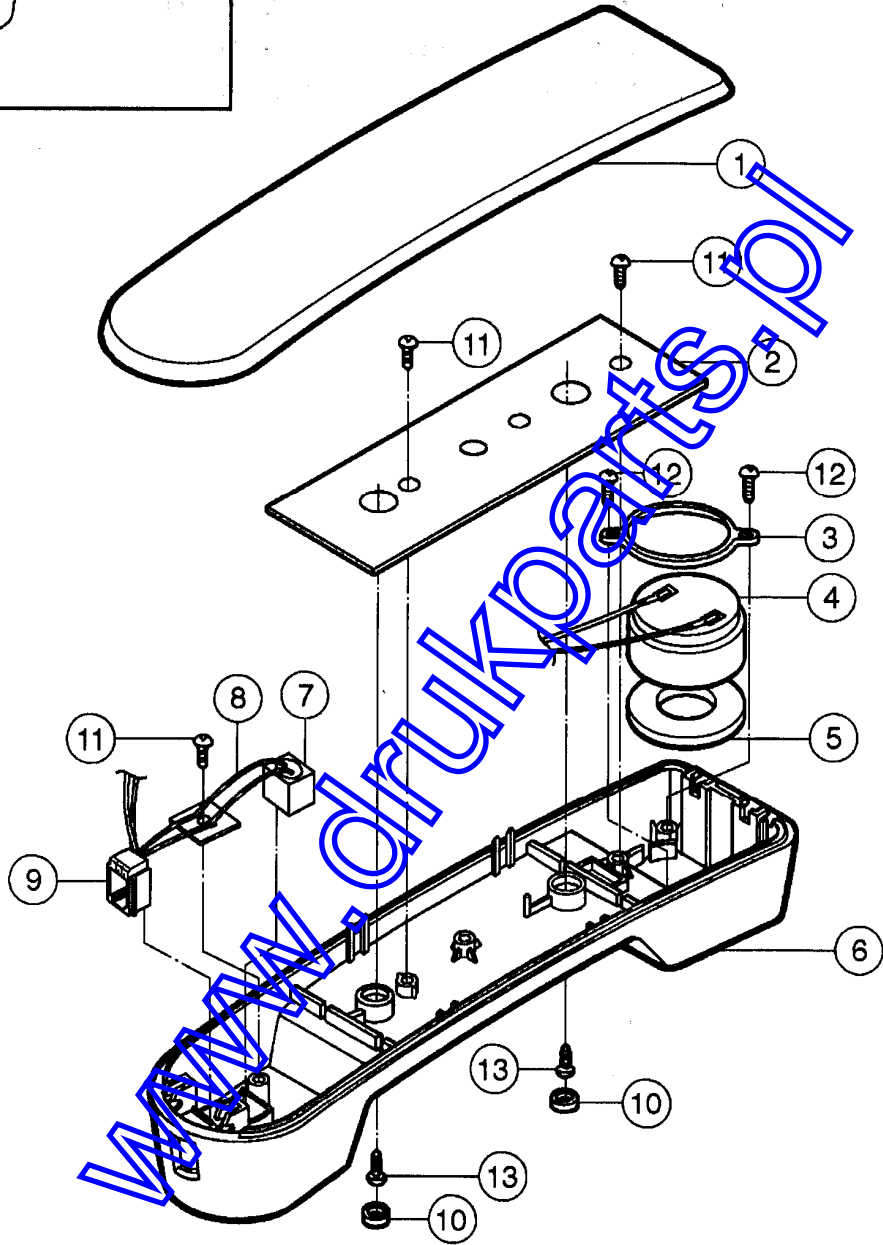
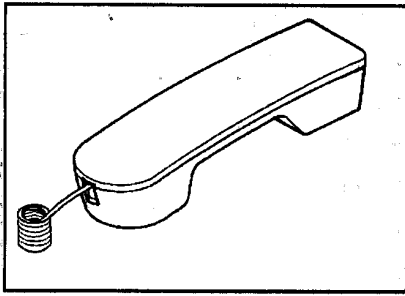
Cradle Assembly Parts List

	Location No.	Description	SEC. Code	Q'ty	Remark
		CRADLE	JG96-00004B	1	
	1	CRADLE-UPPER	JG72-40023A	1	
	2	PBA HOOK	JG92-00564A	1	
	3	CRADLE-LOWER	JG72-40024A	1	
	S1	SCREW, TAPTITE, BH, +, B, M3x6	6003-000117	2	
	S2	SCREW, TAPTITE, BH, +, B, M3x8	6003-000015	2	

* : Service not Available

www.drukparts.pl

1-7. Handset Assembly



Handset Assembly Parts List

Location No.	Description	SEC. Code	Q'ty	Remark
	ASS'Y, HANDSET	JF96-00019A	1	
1	HANDSET-UPPER	*	1	
2	WEIGHT BALANCE	*	1	
3	BRACKET-UNIT FIXING	*	1	
4	AUDIO-RECEIVER, 160OHM, 98.5DB	*	1	
5	MISCEL, RING O, ID17, OD35	*	1	
6	HANDSET-LOWER	*	1	
7	MIC ADAPTER-1625	*	1	
8	AUDIO-MIC, 1.5V, 64DB	*	1	
9	CBF-MODULAR, 200mm, 4P	*	1	
10	HOLD-DUMMY	*	2	
11	SCREW, TAPTITE, B, PH, +, M3, L6	*	2	
12	SCREW, TAPTITE, B, PH, +, M3, L8	*	2	
13	SCREW, TAPTITE, B, PH, +, M2, L6	*	2	

* : Service not Available

www.druckparts.nl