

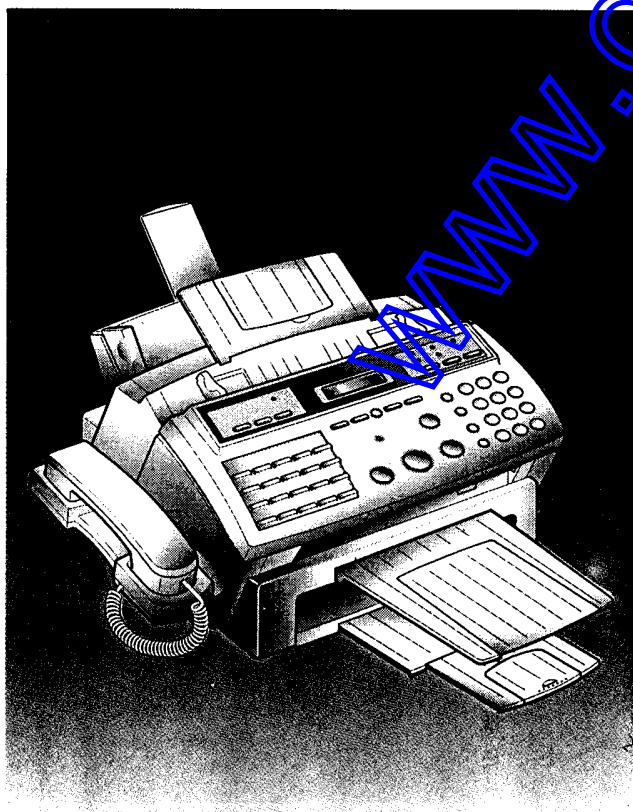
SAMSUNG

FACSIMILE

SF4000/4100/4200

APPENDIX

FACSIMILE



CONTENTS

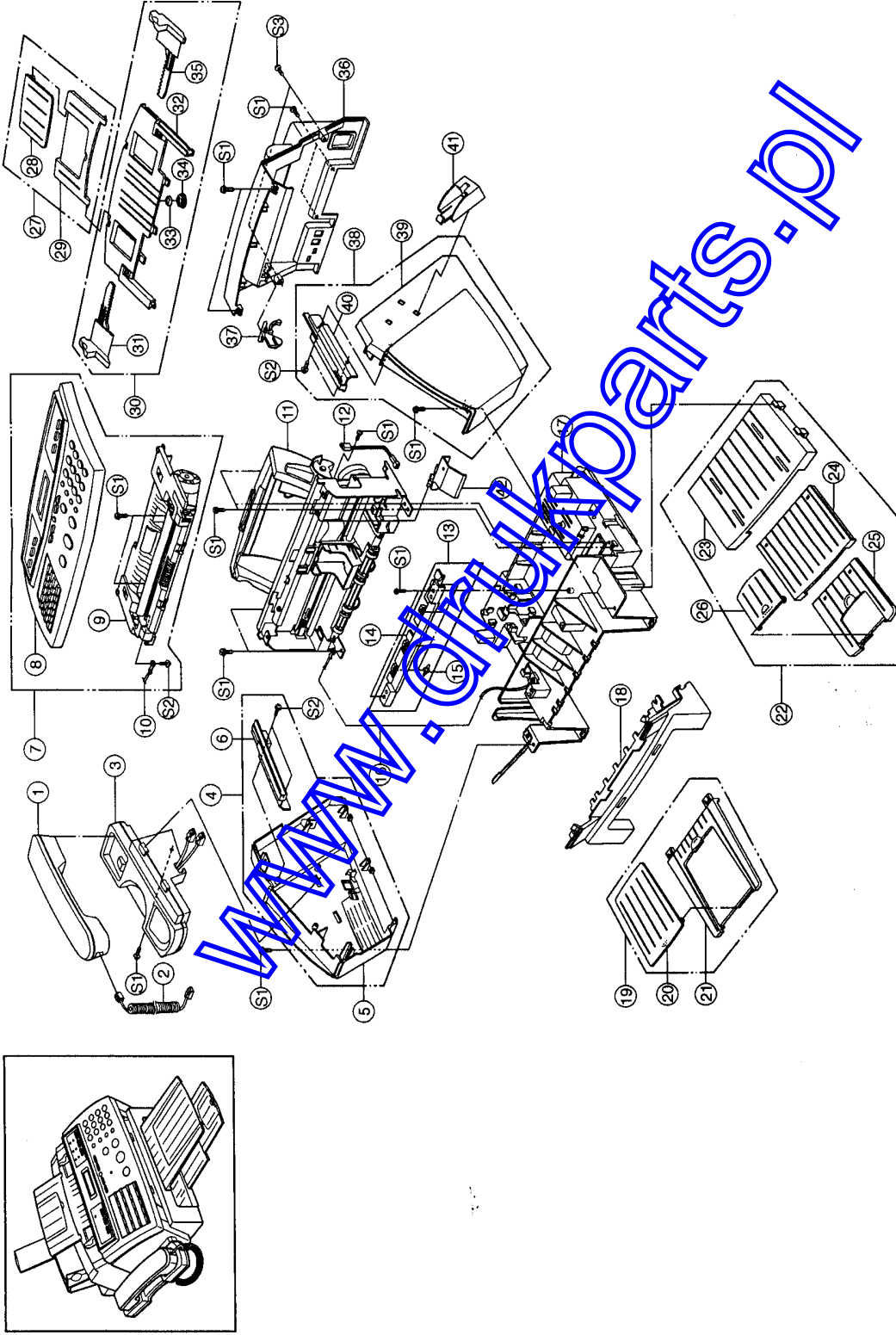
Exploded View and Parts List1

1. Main Assembly
2. OPE Unit Assembly
3. Base Assembly
4. Scan Lower Unit Assembly
5. Cradle Assembly
6. Handset Assembly

Service Manual Code:JG68-60551A

Exploded Views and Parts List

1. Main Assembly



Main Assembly Parts List

Location No.	Description	SEC. Code	Q'ty	Remark
1	HANDSET	JF96-00019A	1	
2	CURL CORD	JF39-60002A	1	
3	CRADLE	JG96-00004B	1	
4	SIDE COVER (L) (M)	JG75-10018A	1	
5	COVER, SIDE (L) (M)	*	1	
6	GUIDE, TOP (L)	*	1	
7	SCAN UNIT	JG96-00003C	1	SF4000
		JG96-00033B	1	SF4100
		JG96-00033E	1	SF4200
8	OPE UNIT	JG96-00007D	1	SF4000
		JG96-00035B	1	SF4100
		JG96-00035F	1	SF4000
9	SCAN, LOWER	JG96-00003B	1	
10	HARNESS, GND WIRE, OPE-SCAN	*	1	
11	PRINT	JG96-000654A	1	SF4000
		JG96-000033A	1	SF4100, SF4200
12	ASS'Y, LEVER SWITCH	JG96-00045A	1	
13	FIXING EXIT UNIT	JG75-10012A	1	
14	FIXING EXIT	*	1	
15	STAR WHEEL		4	
16	HARNESS, GND WIRE, BASE ENGINE	*	1	
17	BASE	JG96-00002A	1	
18	COVER, FRONT	JG72-40017A	1	
19	STACKER, TX	JG75-10009A	1	
20	STACKER (1)	*	1	
21	STACKER (2)	*	1	
22	DUMMY, BASE UNIT	JG75-10011A	1	
23	DUMMY, BASE	*	1	
24	STACKER, BX(2)	*	1	
25	STACKER, BX(1)	*	1	
26	STACKER, FLIP	*	1	
27	CHUTE	JG75-10008D	1	
28	CHUTE (2)	*	1	
29	CHUTE (1)	*	1	
30	TOP COVER UNIT	JG75-10007A	1	
31	GUIDE, DOCUMENT (L)	*	1	
32	COVER, TOP	*	1	
33	SPRING, CURVE	*	1	

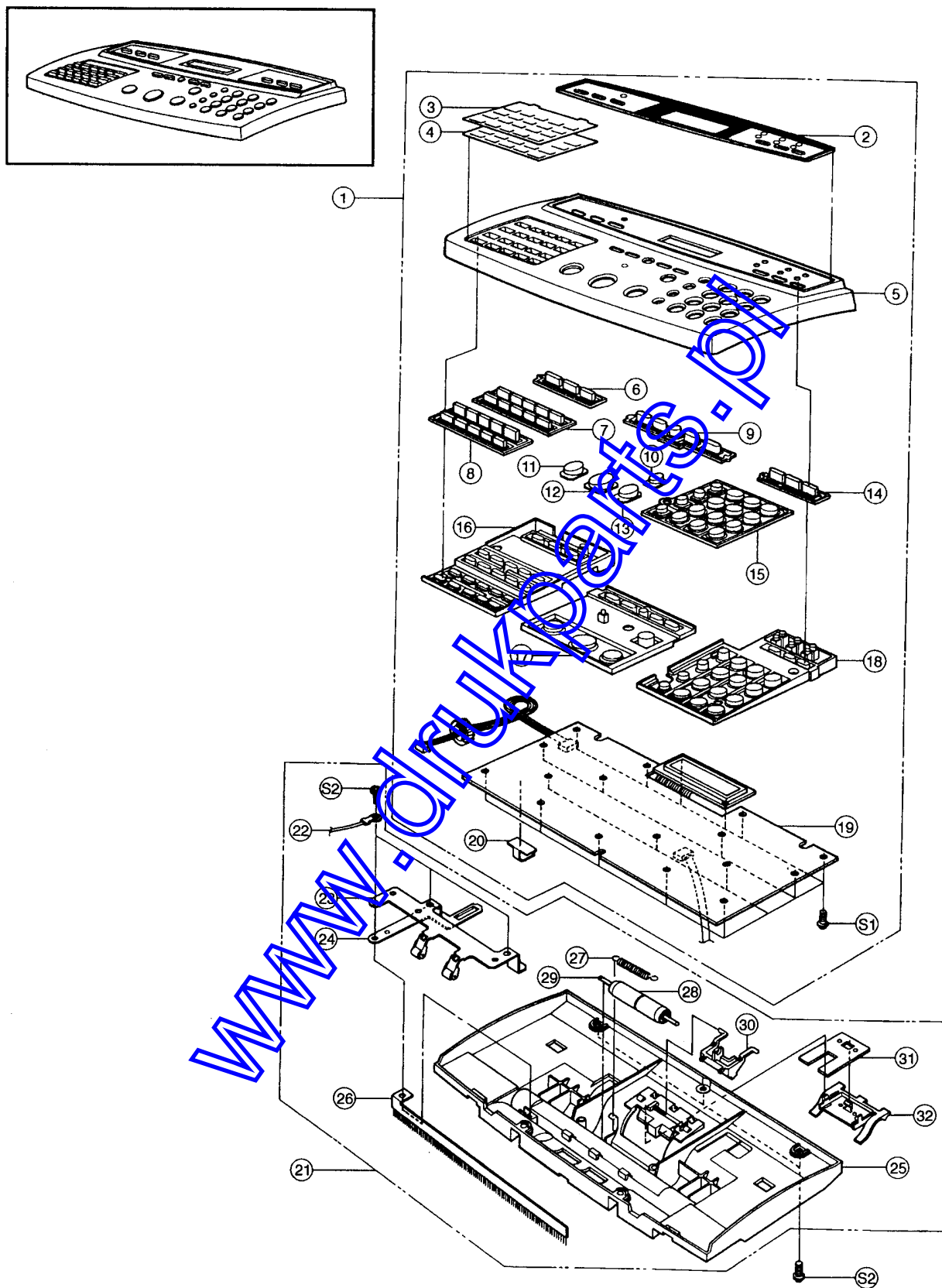
Exploded Views and Parts List

Location No.	Description	SEC. Code	Q'ty	Remark
34	GEAR, PINION	*	1	
35	GUIDE, DOCUMENT (R)	*	1	
36	COVER, REAR (M)	JG72-40033A	1	SF4000
		JG72-40052A	1	SF4100, SF4200
37	LEVER, SENSOR	JG72-40034A	1	
38	COVER SIDE UNIT ASS'Y	JG75-10017A	1	
39	COVER, SIDE (R) (C)	*	1	
40	GUIDE, TOP (R)	*	1	
41	ASS'Y, GARAGE	*	1	
42	COVER, HEAD	JG72-40818A	1	
S1	SCREW, TAPTITE, PWH, +, B, M3x10	6003-000196	1	
S2	SCREW, TAPTITE, BH, +, B, M3x8	6003-000015	5	
S3	SCREW, TAPTITE, PH, +, B, M3x16	6003-000166	2	

* : Service not Available

www.drukparts.nl

2. OPE Unit Assembly



OPE Unit Assembly Parts List

Location No.	Description	SEC. Code	Q'ty	Remark
	OPE UNIT	JG96-00007D	1	SF4000
		JG96-00035B	1	SF4100
		JG96-00035F	1	SF4200
1	OPE COVER UNIT	JG96-00006D	1	SF4000
		JG96-00034B	1	SF4100
		JG96-00034F	1	SF4200
2	COVER, LCD(M)	JG74-10503C	1	SF4000
		JG74-10504C	1	SF4100
		JG74-10504F	1	SF4200
3	COVER, ADDRESS	JG74-10002A	1	
4	PAPER, ADDRESS	JG74-10004D	1	
5	COVER, OPE	JG72-40005D	1	
6	KEY, CARTRIDGE	JG72-40015A	1	SF4000
	KEY, MODE	JG72-40014A	1	SF4100, SF4200
7	KEY, ONE-TOUCH (HIGH)	JG72-40008A	1	
8	KEY, ONE-TOUCH (LOW)	JG72-40004A	1	
9	KEY, SCROLL	JG72-40007A	1	
10	KEY, STOP	JG72-40010A	1	
11	KEY, COPY	JG72-40004A	1	
12	KEY, START	JG72-40009A	1	
13	KEY, OHD	JG72-40003A	1	
14	KEY, MODE	JG72-40014A	1	
15	KEY, TEL	JG72-40006A	1	
16	RUBBER, A	JG73-10001A	1	
17	RUBBER, B	JG73-10002A	1	
18	RUBBER, C	JG73-10004A	1	
19	PBA, OPE	JG92-00568A	1	
20	METAL CLAMP	*	1	
21	SCAN, UPPER	JG96-00008A	1	
22	HARNESS, GND WIRE, SCAN-LOWER	*	1	
23	PINCH	JG75-10015A	1	
24	GROUND, SENSOR	JG71-10002A	1	
25	FRAME, UPPER	JG72-40045A	1	
26	BRUSH, ANTISTATIC	JG75-10004A	1	
27	SPRING COIL	JG70-40514A	1	
28	ROLL PINCH	JG72-40663A	2	
29	SHAFT PINCH	JF70-40521B	1	
30	SUPPORT, ADF	JG72-40043A	1	

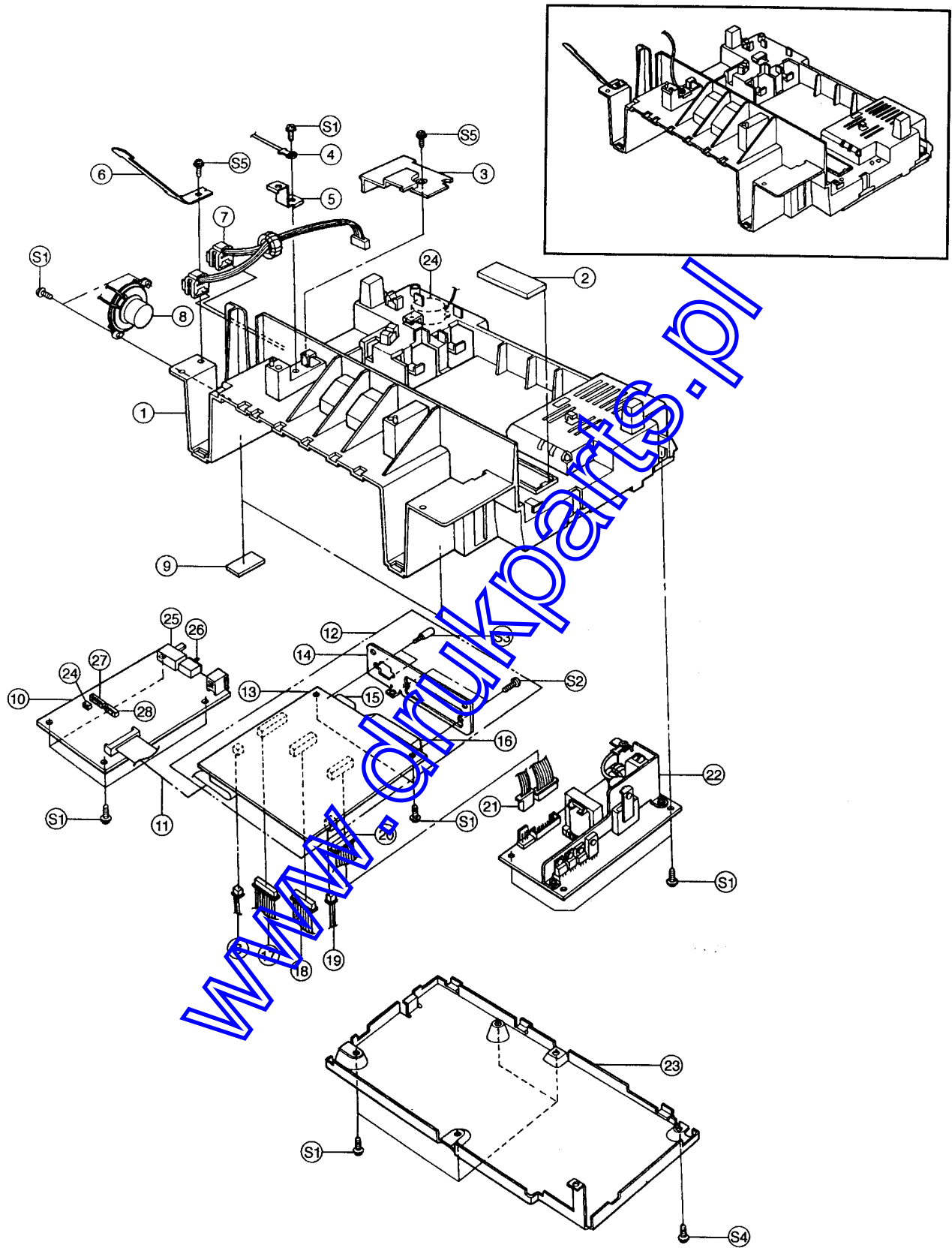
Exploded Views and Parts List

Location No.	Description	SEC. Code	Q'ty	Remark
31	RUBBER, ADF	JG73-10003A	1	
32	HOLDER, RUBBER	JG72-40044A	1	
S1	SCREW, TAPTITE, PH, +, B, M3x6	6003-000165	18	
S2	SCREW, TAPTITE, BH, +, B, M3x8	6003-000015	6	

* : Service not Available

www.drukparts.pl

3. Base Assembly

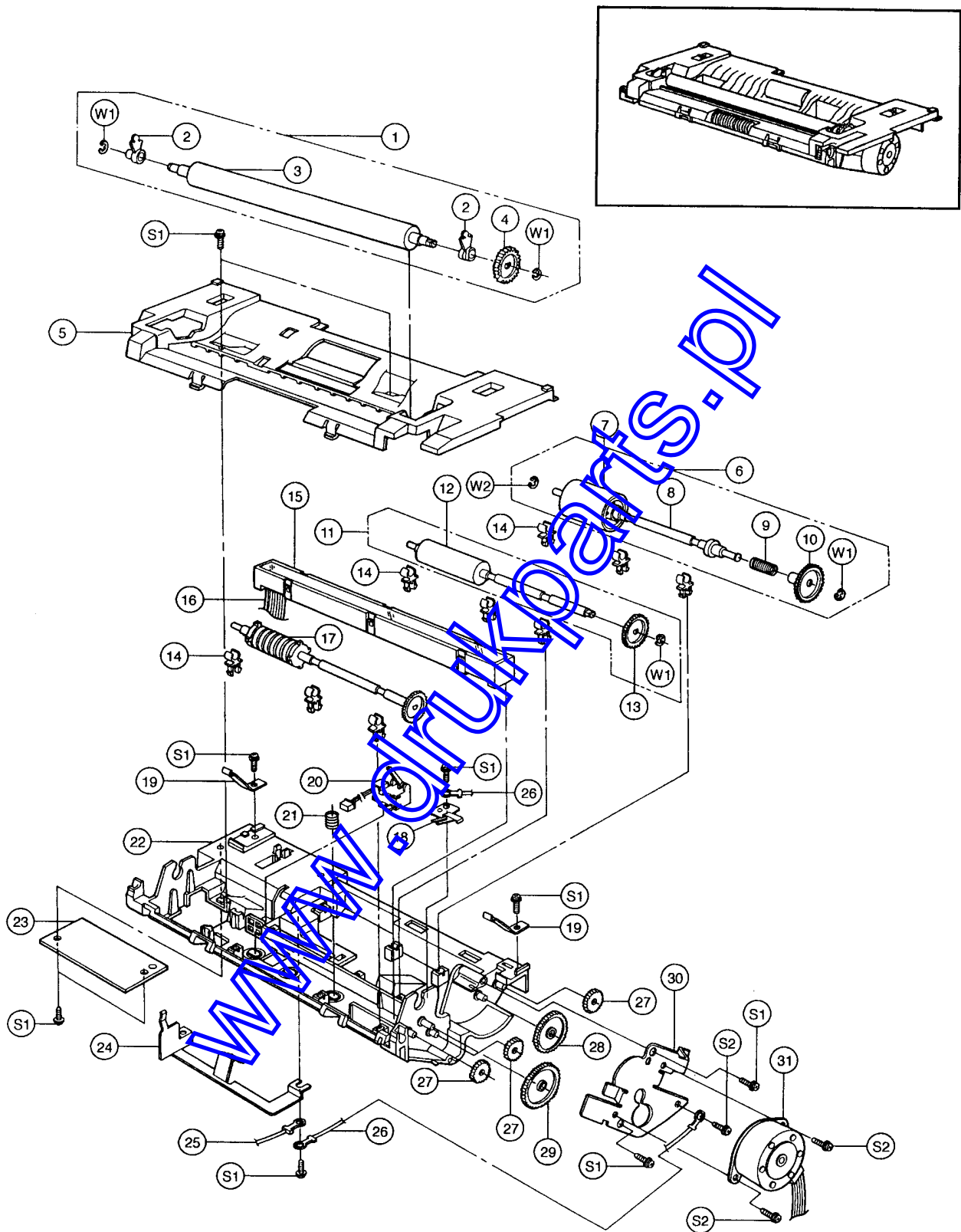


Base Assembly Parts List

Location No.	Description	SEC. Code	Q'ty	Remark
	BASE UNIT	JG96-00002A	1	
1	COVER, BASE	JG72-40016A	1	
2	FELT INK	JG74-10505A	1	
3	COVER, HARNESS	JG72-40055A	1	
4	HARNESS, GND WIRE, BASE+SCAN	*	1	
5	GROUND BASE	JG70-10003A	1	
6	TIE STOPPER	JG72-40717A	1	
7	HARNESS, LIU-MJ	JG39-40123A	1	
8	SPEAKER	JG96-00030A	1	
9	FOOT RUBBER	JF72-41377A	2	
10	PBA, LIU	JG92-00012A	1	
11	HARNESS, MAIN-LIU PLATE CABLE	JF39-40915A	1	
12	MAIN BOARD	*		
13	PBA, MAIN	JG92-00567A	1	SF4000
		JG92-00561A	1	SF4100
		JG92-00562A	1	SF4200
14	BRK, INTERFACE	JG70-10671A	1	SF4100
		JG70-10002A	1	SF4200
15	RS232C	3701-000216	1	SF4200 ONLY
16	CENTRONICS	3702-001001	1	Not for SF4000
17	HARNESS, MAIN PRINTER B'D	JG39-40019A	1	
18	HARNESS, MAIN SCAN B'D	JG39-40018A	1	
19	HARNESS, MAIN ASF LEVER SENSOR	JG39-40013A	1	
20	HARNESS, MAIN SMPS	JG39-40016A	1	
21	HARNESS, SMPS PRINTER B'D	*	1	
22	SMPS, AC, 220-240VAC	JG44-10002A	1	
23	CHASSIS MAIN	JG70-10001A	1	
24	BUZZER	3002-001004	1	
25	DP/MF MODE SWITCH	*	1	
26	RING VOLUME SWITCH	*	1	
27	HARNESS, LIU-HOOK	*	1	
28	HARNESS, LIU-OPE	*	1	
S1	SCREW, TAPTITE, BH, +, B, M3x8	6003-000015	13	
S2	SCREW, ASSY, MACH, WS, PH, +, M3x6	6006-000130	2	Not for SF4000
S3	BOLT, HEX, 4-40, L=8.2, NI	6046-000114	2	SF4200 ONLY
S4	SCREW, TAPTITE, PH, WS, +, M3x8	6003-000189	1	
S5	SCREW, TAPTITE, BH, +, B, M3x10	6003-000196	2	

* : Service not Available

4. Scan Lower Unit Assembly

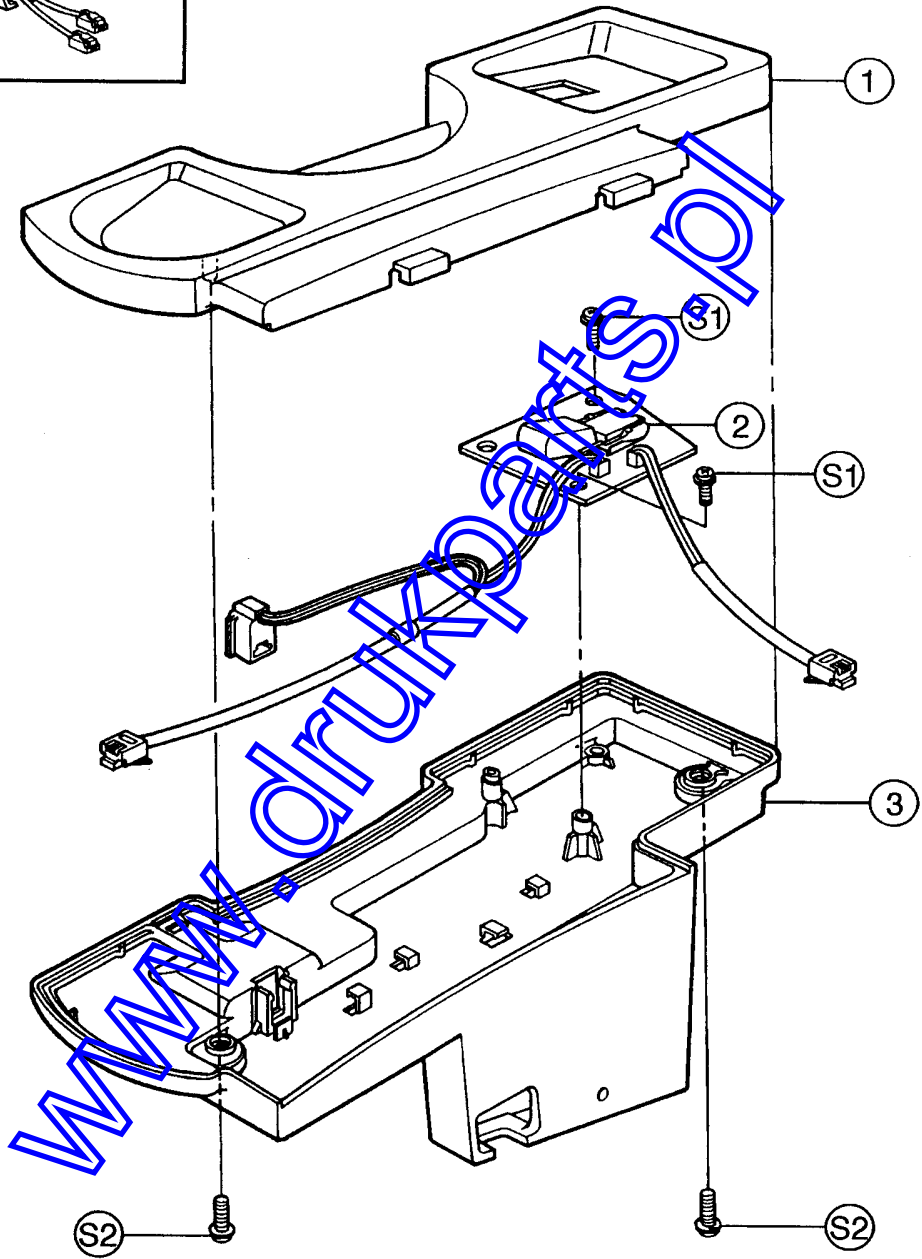
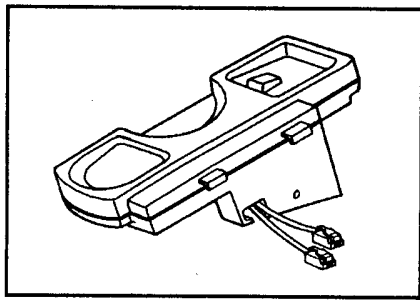


Scan Lower Unit Assembly Parts List

Location No.	Description	SEC. Code	Q'ty	Remark
	SCAN, LOWER	JG96-00009B	1	
1	WHITE ROLLER	JG97-00007A	1	
2	BUSHING, WHITE	*	2	
3	ROLLER, CIS	*	1	
4	GEAR DRIVE(B4)	*	1	
5	PAPER GUIDE	JG72-40039A	1	
6	ADF ROLLER	JG97-00006A	1	
7	ROLLER, ADF	*	1	
8	SHAFT, ADF	*	1	
9	SPRING CLUTCH	*	1	
10	GEAR ADF	*	1	
11	DRIVE, ROLLER	JG97-00008A	1	
12	ROLLER DRIVE	*	1	
13	GEAR, DRIVE(B4)	*	1	
14	BUSHING TX(B4)	JG72-40741A	9	
15	CIS	895 8900102B	1	
16	HARNESS, SC/CIS	JG39-40020A	1	
17	SHAFT EXIT	JG72-40042A	1	
18	GROUND, DRIVE	JG70-10006A	1	
19	LOCKER, TX	JG64-30001A	2	
20	INTERRUPTER	895 610012AA	1	
21	SPRING, CS	JG61-70002A	2	
22	FRAME, LOWER	JG72-40037A	1	
23	PBA, SCAN	JG92-00563A	1	
24	GROUND, CIS	JG71-10001A	1	
25	HARNESS, GROUND	*	1	
26	HARNESS, MOT GND	JG39-40014A	1	
27	GEAR, SPUR	JG66-40001A	3	
28	GEAR, TRANS(B4)	JG72-40741A	1	
29	GEAR, DOUBLE	JG66-40002A	1	
30	BRACKET, MOTOR	JG70-10004A	1	
31	MOTOR, STEP	3101-001002	1	
S1	SCREW, TAPTITE, BH, +, B, M3x8	6003-000015	10	
S2	SCREW, ASS'Y, MACH, WS, PH, +, M3x6	6006-000127	3	
W1	RING C, ID3, OD7, T0.6	*	4	
W2	RING C, ID5, OD11, T0.6	*	1	

* : Service not Available

5. Cradle Assembly



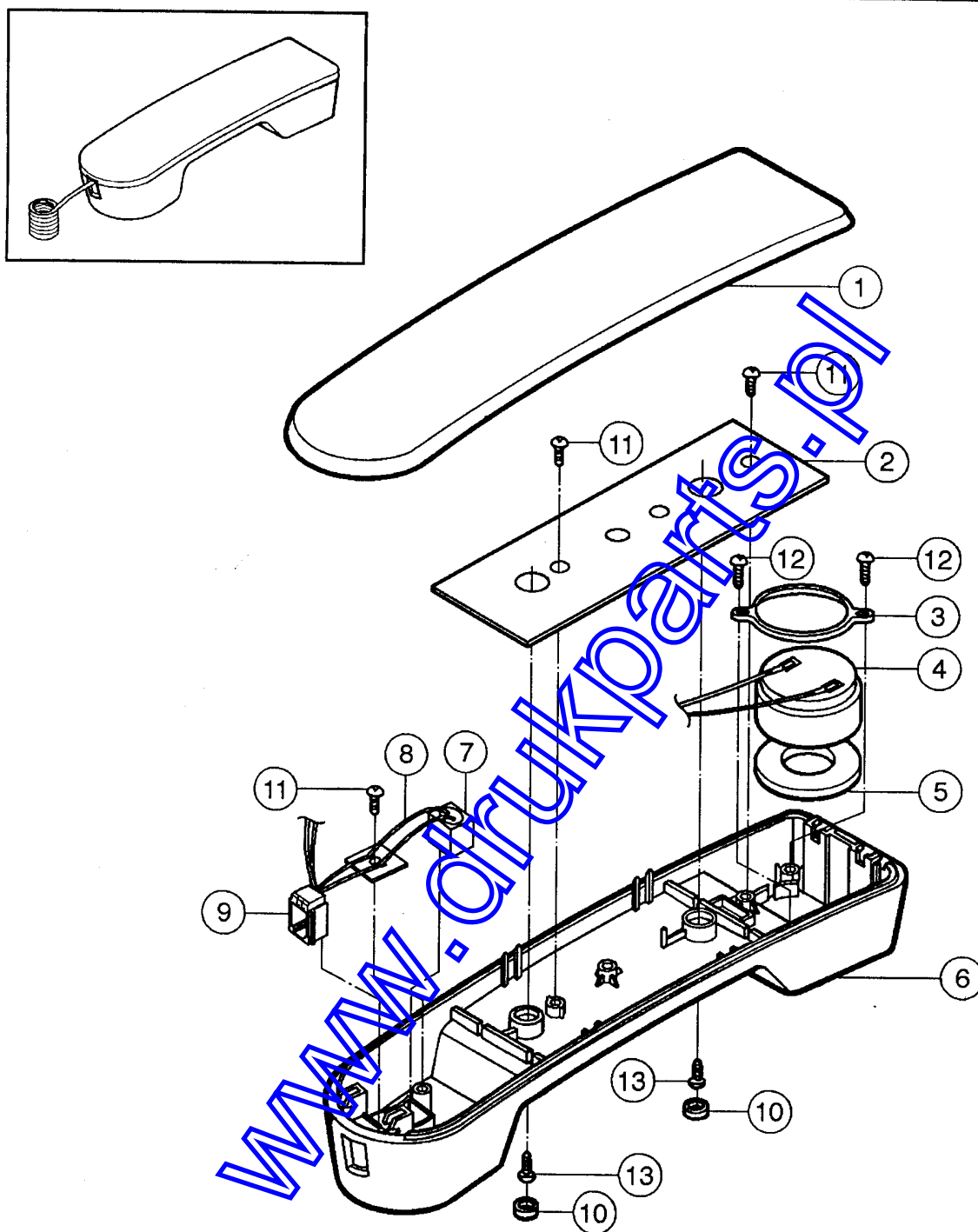
Cradle Assembly Parts List

Location No.	Description	SEC. Code	Q'ty	Remark
	CRADLE UNIT	JG96-00004B	1	
1	CRADLE, UPPER	JG72-40023A	1	
2	PBA HOOK	JG92-00564A	1	
3	CRADLE, LOWER	JG72-40024A	1	
S1	SCREW, TAPTITE, BH, +, B, M3x6	6003-000117	2	
S2	SCREW, TAPTITE, BH, +, B, M3x8	6003-000015	2	

* : Service not Available

www.drukparts.pl

6. Handset Assembly



Handset Assembly Parts List

	Location No.	Description	SEC. Code	Q'ty	Remark
		ASS'Y-HANDSET	JF96-00019A	1	
	1	HANDSET-UPPER	*	1	
	2	WEIGHT BALANCE	*	1	
	3	BRACKET-UNIT FIXING	*	1	
	4	AUDIO-RECEIVER, 160OHM, 98.5DB	*	1	
	5	MISCEL, RING O, ID17, OD35	*	1	
	6	HANDSET-LOWER	*	1	
	7	MIC ADAPTER-1625	*	1	
	8	AUDIO-MIC, 1.5V, 64DB	*	1	
	9	CBF-MODULAR, 200mm, 4P	*	1	
	10	HOLD-DUMMY	*	2	
	11	SCREW, TAPTITE, B, PH, +, M3, L6	*	3	
	12	SCREW, TAPTITE, B, PH, +, M3, L8	*	2	
	13	SCREW, TAPTITE, B, PH, +, M2, L6	*	2	

* : Service not Available

www.drukparts.pl