

## Appendix information

The following list shows different materials by model.

The material codes mentioned in the manual are subject to change without prior notice. For the latest exact information, see ITSELF System. (<http://itself.sec.samsung.co.kr>)

### SF-3200/XEU

DESCRIPTION	SEC.CODE
MEC-WINDOW LCD	JB75-00324A
ELA UNIT-OPE(BASIC)	JB96-01266A
ELA HOU-COVER OPE	JB96-01252A
PMO-COVER OPE B	JB72-00897A
ELA UNIT-BASE	JB96-01038A
MEA ETC-BASE(NEW)	JB97-01208D
ELA UNIT-COVER TOP	JB96-01268A
PBA MAIN-LIU	JB92-01161A

### SF-3200T/XEU

DESCRIPTION	SEC.CODE
MEC-WINDOW LCD(TAD)	JB75-00324B
ELA UNIT-OPE(TAD)	JB96-01267A
ELA HOU-COVER OPE(TAD)	JB96-01253A
PMO-COVER OPE B TAD	JB72-00898A
ELA UNIT-BASE(TAD)	JB96-01057A
MEA ETC-BASE(TAD)	JB96-01056C
ELA UNIT-COVER TOP	JB96-01268A
PBA MAIN-LIU(USA)	JB92-01162A

### SF-3200/XEG

DESCRIPTION	SEC.CODE
MEC-WINDOW LCD(XEG)	JB75-00324C
ELA UNIT-OPE(XEG)	JB96-01266B
ELA HOU-COVER OPE(XEG)	JB96-01252B
PMO-COVER OPE B(XEG)	JB72-00897B
ELA UNIT-BASE(XEG)	JB96-01038B
MEA ETC-BASE (NEW)	JB97-01208E
ELA UNIT-COVER TOP(NPO)	JB96-01268B
PBA MAIN-LIU-BASIC(AKE)	JB92-01164A

### SF-3200T/XEG

DESCRIPTION	SEC.CODE
MEC-WINDOW LCD(TXEG)	JB75-00324J
ELA UNIT-OPE(TXEG)	JB96-01267B
ELA HOU-COVER OPE(TXEG)	JB96-01253B
PMO-COVER OPE B TAD(TXEG)	JB72-00898B
ELA UNIT-BASE(TAD)	JB96-01057A
MEA ETC-BASE(TAD)	JB96-01056C
ELA UNIT-COVER TOP(NPO)	JB96-01268B
PBA SUB I/F-LIU PBA	JB92-01044P

### SF-3200/XEF

DESCRIPTION	SEC.CODE
MEC-WINDOW LCD(XEF)	JB75-00324E
ELA UNIT-OPE(XEF)	JB96-01266C
ELA HOU-COVER OPE(XEF)	JB96-01252C
PMO-COVER OPE B(XEF)	JB72-00897C
ELA UNIT-BASE	JB96-01038A
MEA ETC-BASE(NEW)	JB97-01208D
ELA UNIT-COVER TOP(NPO)	JB96-01268B
PBA MAIN-LIU	JB92-01161B

### SF-3200T/XEF

DESCRIPTION	SEC.CODE
MEC-WINDOW LCD(TXEF)	JB75-00324K
ELA UNIT-OPE(TXEF)	JB96-01267C
ELA HOU-COVER OPE(TXEF)	JB96-01253C
PMO-COVER OPE B TAD(TXEF)	JB72-00898C
ELA UNIT-BASE(TAD)	JB96-01057A
MEA ETC-BASE(TAD)	JB96-01056C
ELA UNIT-COVER TOP(NPO)	JB96-01268B
PBA SUB-LIU PBA	JB92-01162B

### SF-3200/XET

DESCRIPTION	SEC.CODE
MEC-WINDOW LCD(XET)	JB75-00324E
ELA UNIT-OPE(XET)	JB96-01266D
ELA HOU-COVER OPE(XET)	JB96-01252D
PMO-COVER OPE B(XET)	JB72-00897D
ELA UNIT-BASE	JB96-01038A
MEA ETC-BASE(NEW)	JB97-01208D
ELA UNIT-COVER TOP(NPO)	JB96-01268B
PBA MAIN-LIU-BASIC(AKE)	JB92-01164A

### SF-3200T/XET

DESCRIPTION	SEC.CODE
MEC-WINDOW LCD(TXET)	JB75-00324L
ELA UNIT-OPE(TXET)	JB96-01267D
ELA HOU-COVER OPE(TXET)	JB96-01253D
PMO-COVER OPE B TAD (TXET)	JB72-00898D
ELA UNIT-BASE (TAD)	JB96-01057A
MEA ETC-BASE (TAD)	JB96-01056C
ELA UNIT-COVER TOP(NPO)	JB96-01268B
PBA SUB I/F-LIU PBA	JB92-01044P

**SF-3200/XEP**

DESCRIPTION	SEC.CODE
MEC-WINDOW LCD(XEP)	JB75-00324F
ELA UNIT-OPE(XEP)	JB96-01266E
ELA HOU-COVER OPE(XEP)	JB96-01252E
PMO-COVER OPE B(XEP)	JB72-00897E
ELA UNIT-BASE	JB96-01038A
MEA ETC-BASE(NEW)	JB97-01208D
ELA UNIT-COVER TOP(SPO)	JB96-01268B
PBA MAIN-LIU BASIC(AKE)	JB92-01164A

**SF-3200T/XEP**

DESCRIPTION	SEC.CODE
MEC-WINDOW LCD(TXEP)	JB75-00324M
ELA UNIT-OPE(TXEP)	JB96-01267E
ELA HOU-COVER OPE(TXEP)	JB96-01253E
PMO-COVER OPE B TAD (TXEP)	JB72-00898E
ELA UNIT-BASE(TAD)	JB96-01057A
ELA HOU-BASIC(TAD)	JB96-01056C
ELA UNIT-COVER TOP(NPO)	JB96-01268B
PBA MAIN-LIU(TAD)	JB92-01044B

**SF-3200/XEC**

DESCRIPTION	SEC.CODE
MEC-WINDOW LCD(XEC)	JB75-00324G
ELA UNIT-OPE(XEC)	JB96-01266F
ELA HOU-COVER OPE(XEC)	JB96-01252F
PMO-COVER OPE B(XEC)	JB72-00897F
ELA UNIT-BASE	JB96-01038A
MEA ETC-BASE(NEW)	JB97-01208D
ELA UNIT-COVER TOP(NPO)	JB96-01268B
PBA MAIN-LIU-BASIC(AKE)	JB92-01164A

**SF-3200T/XEC**

DESCRIPTION	SEC.CODE
MEC-WINDOW LCD(TXEC)	JB75-00324N
ELA UNIT-OPE(TXEC)	JB96-01267F
ELA HOU-COVER OPE(TXEC)	JB96-01253F
PMO-COVER OPE B TAD(TXEC)	JB72-00898F
ELA UNIT-BASE(TAD)	JB96-01057A
ELA HOU-BASIC(TAD)	JB96-01056C
ELA UNIT-COVER TOP(NPO)	JB96-01268B
PBA MAIN-LIU(TAD)	JB92-01044B

**SF-3200/XSA**

DESCRIPTION	SEC.CODE
MEC-WINDOW LCD	JB75-00324H
ELA UNIT-OPE(XSA)	JB96-01266H
ELA HOU-COVER OPE(XSA)	JB96-01252H
PMO-COVER OPE B(XSA)	JB72-00897H
ELA UNIT-BASE	JB96-01038A
MEA ETC-BASE(NEW)	JB97-01208D
ELA UNIT-COVER TOP(NPO)	JB96-01268B
PBA SUB I/F-LIU PBA	JB92-01044S

**SF-3200T/XSA**

DESCRIPTION	SEC.CODE
MEC-WINDOW LCD(TAD)	JB75-00324B
ELA UNIT-OPE(TXSA)	JB96-01267H
ELA HOU-COVER OPE(TXSA)	JB96-01253H
PMO-COVER OPE B TAD (TXSA)	JB72-00898H
ELA UNIT-BASE(TAD)	JB96-01057A
MEA ETC-BASE	JB96-01056C
ELA UNIT-COVER TOP(NPO)	JB96-01268B
PBA SUB I/F-LIU PBA	JB92-01044T

**SF-3200P/XFA**

DESCRIPTION	SEC.CODE
MEC-WINDOW LCD	JB75-00324Q
ELA UNIT-OPE(XFA)	JB96-01266J
ELA HOU-COVER OPE(XFA)	JB96-01252J
PMO-COVER OPE B(XFA)	JB72-00897J
ELA UNIT-BASE	JB96-01038A
MEA ETC-BASE(NEW)	JB97-01208D
ELA UNIT-COVER TOP(NPO)	JB96-01268B
PBA SUB I/F-LIU PBA	JB92-01044L

## 5. Exploded Views

---

5-1. Main Assembly

5-2. OPE Unit Assembly

5-3. Handset Unit Assembly

5-4. Engine Unit Assembly

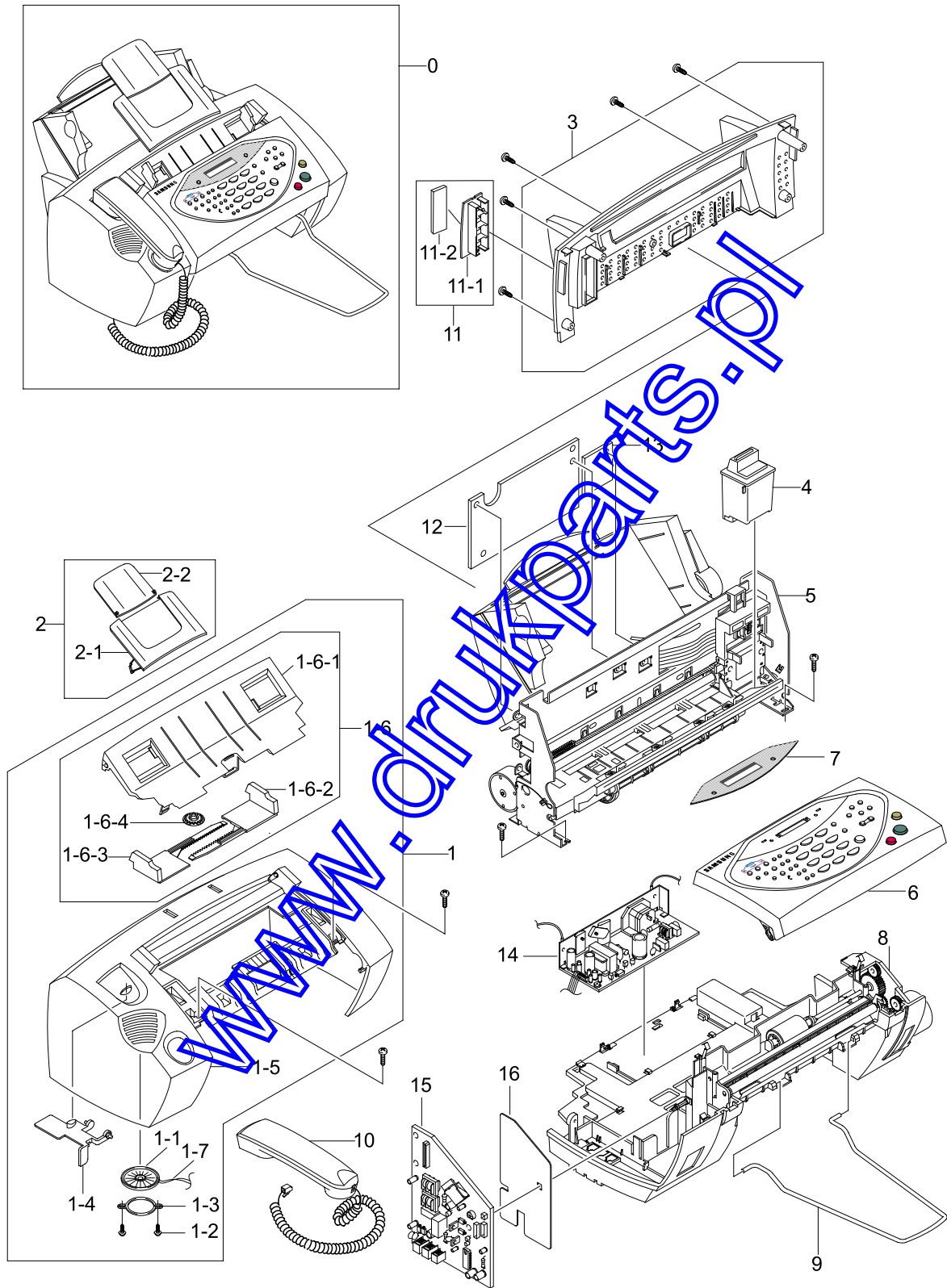
5-5. Base Unit Assembly

5-6. Standard Parts List

5-7. SMPS Parts Lists

[www.drukparts.pl](http://www.drukparts.pl)

### 5-1. Main Assembly



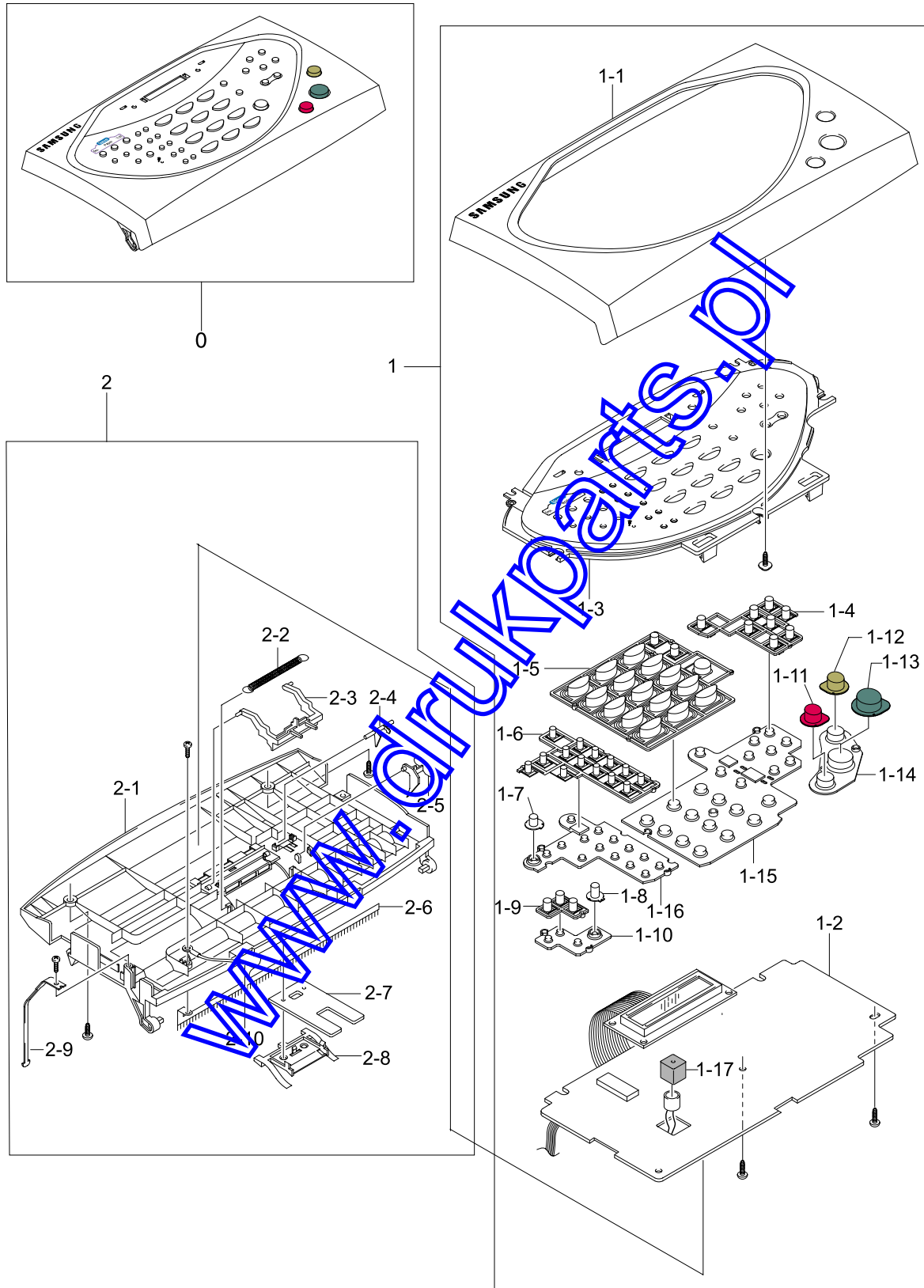
## Main Assembly Parts Lists

SA. : Service Available

Location No.	Description	SEC. Code	Q'ty	SA	Remark
0	SET(SF-3200,3200T)	refer the Information			
1	ELA UNIT-COVER TOP	refer the Information	1	Y	
1-1	SPEAKER	3001-001044	1	Y	
1-2	SCREW-TAPTITE	6003-000193	2	Y	
1-3	IPR-UNIT FIXING BRA	*	1	N	
1-4	PMO-HOOK(NEW)	JB72-00121B	1	Y	
1-5	PMO-COVER TOP(NEW)	JB72-00122B	1	Y	
1-6	MEA UNIT-COVER DOC(NEW)	*	1	N	
1-6-1	PMO COVER DOC	JB72-00123B	1	Y	
1-6-2	PMO-GUIDE DOC L	*	1	N	
1-6-3	PMO-GUIDE DOC R	*	1	N	
1-6-4	GEAR-PINION	*	1	N	
1-7	CBF HARNESS-SPK CORE	JB39-40523B		N	
2	MEC-CHUTE	JB75-00068A	1	Y	
2-1	PMO-CHUTE	*	1	N	
2-2	PMO-CHUTE(2)	*	1	N	
3	PMO-COVER REAR	JB72-00138A	1	Y	
4	PRINT HEAD INK	*	1	N	
5	ELA UNIT-ENGINE	JB96-01034A	1	Y	
6	ELA UNIT-OPE	refer the Information	1	Y	
6	ELA UNIT-OPE (TAD)	refer the Information	1	Y	
7	MEC-WINDOWS LCD	JB75-00324A	1	Y	SF-3200
7	MEC-WINDOWS LCD(TAD)	JB75-00324B	1	Y	SF-3200T
8	ELA UNIT-BASE	*	1	N	
9	EMC-TX STACKER(NEW)	JB70-00043B	1	Y	
10	ELA HOU-HANDSET(NEW)	JB96-01043B	1	Y	
11	MEC-COVER POM	JB75-00166A	1	Y	
11-1	PMO-COVER POM	*	1	N	
11-2	LABEL(R)-FOR SERVICE ONLY	*	1	N	
12	PBA MAIN-ENGINE(BAS)	JB92-01159A	1	Y	SF-3200
12	PBA MAIN-ENGINE(TAD)	JB92-01159B	1	Y	SF-3200T
13	PBA SUB-TAD	JB92-01047B	1	Y	SF-3200T ONLY
14	SMPS-V2	JB44-00005C	1	Y	220V
15	PBA MAIN-LIU	refer the Information	1	Y	SF-3200
15	PBA MAIN-LIU(USA)	refer the Information	1	Y	SF-3200T
16	PPR-LIU INSULATION	*	1	N	

Y: Service available N Service not available

### 5-2. OPE Unit Assembly



## OPE Unit Assembly Parts Lists

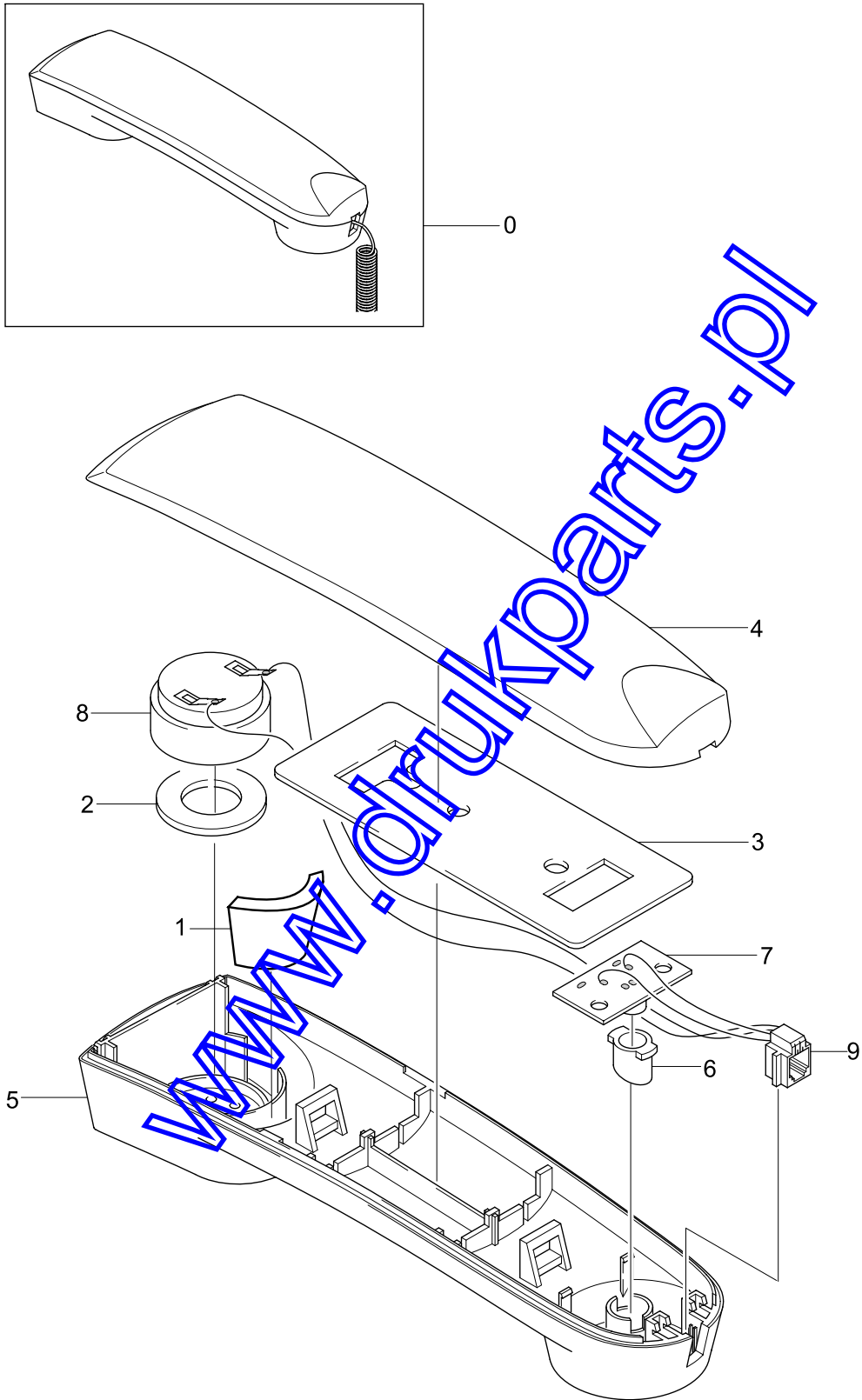
SA. : Service Available

Location No.	Description	SEC. Code	Q'ty	SA	Remark
0	ELA UNIT-OPE	refer the Information	1	Y	SF-3200
1	ELA HOU-COVER OPE	refer the Information	1	Y	SF-3200
	ELA HOU-COVER OPE(TAD)	refer the Information	1	Y	SF-3200T
1-1	PMO-COVER OPE A	JB72-00896A	1	Y	
1-2	PBA SUB-OPE(BASIC)	JB92-01156A	1	Y	SF-3200
	PBA SUB-OPE(TAD)	JB92-01156B	1	Y	SF-3200T
1-3	PMO-COVER OPE B	refer the Information	1	Y	SF-3200
1-4	PMO-KEY FUNCTION	JB72-00900A	1	Y	
1-5	PMO-KEY TEL	JB72-00100A	1	Y	
1-6	PMO-KEY ONETOUCH	JB72-00899A	1	Y	
1-7	PMO-KEY INK	JB72-00901A	1	Y	
1-8	PMO-KEY ANSWER	JB72-00902A	1	Y	SF-3200T Only
1-9	PMO-KEY MESSAGE	JB72-00903A	1	Y	SF-3200T Only
1-10	PMO-RUBBER MESSAGE	JB73-00065A	1	Y	SF-3200T Only
1-11	PMO-KEY STOP	JB72-00108A	1	Y	
1-12	PMO-KEY COPY	JB72-00102A	1	Y	
1-13	PMO-KEY START	JB72-00107A	1	Y	
1-14	RMO-CONTACT RUBBER SUB	JB73-00066A	1	Y	
1-15	RMO-RUBBER MAIN	JB73-00063A	1	Y	
1-16	RMO-RUBBER ONETOUCH	JB73-00064A	1	Y	
1-17	PMO-MIC. ADAPTER	GB72-40770A	1	Y	SF-3200T Only
2	MEA UNIT-SCAN UPPER	JB97-01202A	1	Y	
2-1	PMO-FRAME SCAN UPPER	JB72-00115A	1	Y	
2-2	ICT-SPRING COIL	*	1	N	
2-3	PMO-SUPPORT ADF	*	1	N	
2-4	PMO-LEVER SENSOR LOC	*	1	N	
2-5	PMO-LEVER SENSOR SCAN	*	1	N	
2-6	MEC-ANTISTATIC BRUSH	*	1	N	
2-7	RPR-RUBBER ADF	JG73-10003A	1	N	
2-8	PMO-HOLDER RUBBER	JG72-40044A		N	
2-9	PMO-TIE STOPPER	*	1	N	
2-10	SCF HARNESS-SCF GND	JC39-40608A	1	N	

Y: Service available N: Service not available

### 5-3. Handset Unit Assembly

---





**Handset Unit Assembly Parts Lists**

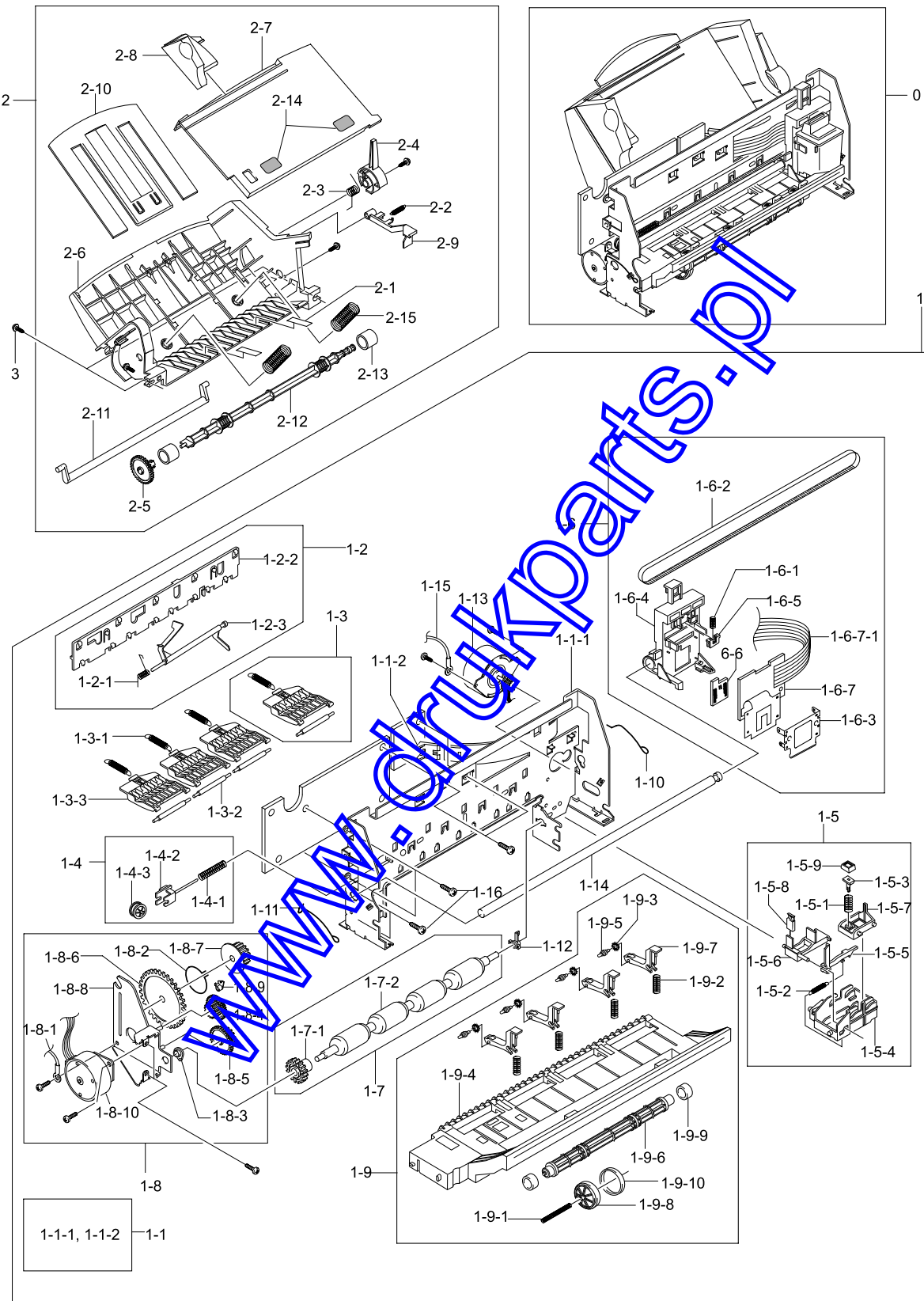
SA. : Service Available

Location No.	Description	SEC. Code	Q'ty	A/S	Remark
0	ELA HOU-HANDSET(NEW)	JB96-01043B	1	Y	
1	IPR-WEIGHT BALANCE	*	1	N	
2	RING-OP	6044-000138	1	Y	
3	PPR-DUMMY HANDSET(GRY)	*	1	N	
4	PMO-HANDSET UPPER(XEROX)	*	1	N	
5	PMO-HANDSET LOWER	*	1	N	
6	RMO-RUBBER MIC	*	1	N	
7	PBA SUB ETC-MIC	*	1	N	
8	AUDIO-RECEIVER	3009-001028	1	Y	
9	CBF HARNESS-HANDSET MODULAR	*	1	N	

Y: Service available, N: Service not available

[www.drukparts.nl](http://www.drukparts.nl)

### 5-4. Engine Unit Assembly



## Engine Unit Assembly Parts Lists

SA. : Service Available

Location No.	Description	SEC. Code	Q'ty	A/S	Remark
0	ELA UNIT-ENGINE(NEW)	*	1	N	
1	ELA UNIT-ENGINE	JB96-01034A	1	Y	
1-1	MEA UNIT-FRME MAIN	JB97-01216A	1	Y	
1-1-1	IPR-FRAME MAIN	*	1	N	
1-1-2	PMO-HOLDER FPC	JB72-00098A	1	Y	
1-2	MEA ETC-ROLLER SUB	JB97-01199A	1	Y	
1-2-1	SPRING-ACTUATOR	JB61-70004A	1	Y	
1-2-2	PMO-HOLDER ROLLER SUB	*	1	N	
1-2-3	PMO-ACTUATOR FEED	*	1	N	
1-3	MEA-FRICTION ROLLER	JB97-01200A	4	Y	
1-3-1	SPRING-FRICTION(M)	*	1	N	
1-3-2	ICT-ROLLER FRICTION	*	1	N	
1-3-3	PMO-HOLDER FRICTION	*	1	N	
1-4	MEA UNIT-PULLEY IDLE	JB97-01089A	1	Y	
1-4-1	SPRING-CS	*	1	N	
1-4-2	PMO-HOLDER PULLEY	*	1	N	
1-4-3	PMO-PULLEY IDLE	*	1	N	
1-5	MEA UNIT-FRAME HOME	JB97-01090B	1	Y	
1-5-1	SPRING-CS	*	1	N	
1-5-2	SPRING-LEVER	*	1	N	
1-5-3	PMO-HOLDER CAP	*	1	N	
1-5-4	PMO-FRAME HOME	*	1	N	
1-5-5	PMO-LEVER WIPER	*	1	N	
1-5-6	PMO-GUIDE WIPER	*	1	N	
1-5-7	PMO-GUIDE CAP	*	1	N	
1-5-8	RMO-WIPER HEAD	*	1	N	
1-5-9	RMO-CAP HEAD	*	1	N	
1-6	ELA HOU-CR	JB96-01040B	1	Y	
1-6-1	SPRING-CS	*	1	N	
1-6-2	BELT-TIMING	*	1	N	
1-6-3	IPR-DEFLECTOR GUIDE	*	1	N	
1-6-4	PMO-FRAME CR	*	1	N	
1-6-5	PMO-LATCH HEAD	*	1	N	
1-6-6	RMO-CONTCAT	*	1	N	
1-6-7	PBA MAIN-CR	*	1	N	

Y: Service available N: Service not available

## Exploded Views

SA. : Service Available

Location No.	Description	SEC. Code	Q'ty	A/S	Remark
1-7	MEA-FEDD ROLLER	JB97-01201A	1	Y	
1-7-1	GEAR-FEED	*	1	N	
1-7-2	MEC-ROLLER FEED	*	1	N	
1-8	MEA UNIT-BRKT LF	JB97-01205B	1	Y	
1-8-1	CBF HARNESS-EARTH(LF MOTOR)	*	1	N	
1-8-2	SPRING-CS	*	1	N	
1-8-3	BEARING-FEED L	*	1	N	
1-8-4	GEAR-LF IDLE1	*	1	N	
1-8-5	GEAR-LF IDLE2	*	1	N	
1-8-6	GEAR-LATCHET,L	*	1	N	
1-8-7	GEAR-LATCHET,S	*	1	N	
1-8-8	IPR-BRACKET LF	*	1	N	
1-8-9	PMO-SPOPPER RACHET	*	1	N	
1-8-10	MOTOR-STEP (LF MOTOR)	*	1	N	
1-9	MEA UNIT-FRAME BASE	JB97-01206A	1	Y	
1-9-1	SPRING-RING	*	1	N	
1-9-2	SPRING-CS(EXIT)	*	4	N	
1-9-3	IPR-WHEEL STAR(T)	*	4	N	
1-9-4	PMO-FRAME BASE	*	1	N	
1-9-5	PMO-HOLDER WHEEL	*	4	N	
1-9-6	PMO-ROLLER EXIT	JB72-40932A	1	Y	
1-9-7	PMO-LEVER EXIT	*	4	N	
1-9-8	PMO-PULLEY EXIT	*	1	N	
1-9-9	REX-FEED EXIT	*	2	N	
1-9-10	RMO-RUBBER PULLEY	*	1	N	
1-10	SPRING-SHAFT CR	*	1	N	
1-11	SPRING-CR SHAFT	*	1	N	
1-12	BEARING-NEEDLE	*	1	N	
1-13	MOTOR-STEP (CR MOTOR)	3101-001192	1	Y	
1-14	ICT-SHAFT CR	*	1	N	
1-15	CBF HARNESS-EARTH(CR MOTOR)	*	1	N	
1-16	SCREW-MACHINE	6001-000115	2	Y	

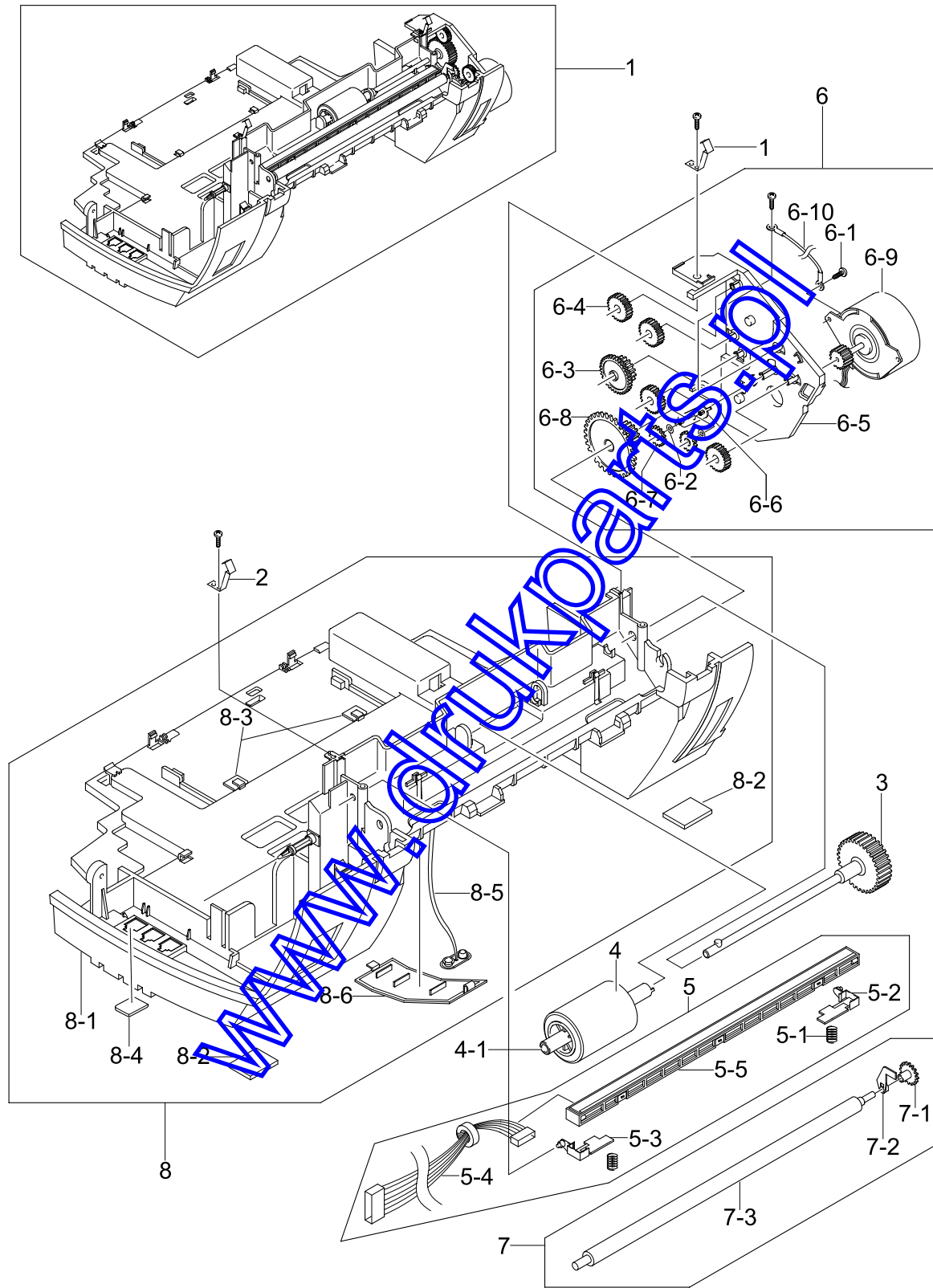
Y: Service available N: Service not available

SA. : Service Available

Location No.	Description	SEC. Code	Q'ty	A/S	Remark
2	MEA UNIT-ASF(NEW)	*	1	N	
2-1	PPR-SHEET ASF	JG72-10553A	2	Y	
2-2	SPRING-ES	*	1	N	
2-3	SPRING-HANDLE	*	1	N	
2-4	PMO-HANDLE ASF	*	1	N	
2-5	GEAR-ASF	JB66-40006A	1	Y	
2-6	PMO-FRAME ASF(XEROX)	*	1	N	
2-7	PMO-KNOCK UP PLATE(XEROX)	*	1	N	
2-8	PMO-GUIDE PAPER	JB72-00130A	1	Y	
2-9	PMO-FINGER ASF	*	1	N	
2-10	PMO-GUIDE EXTENSION(XR)	JB72-00518A	1	Y	
2-11	PMO-SHAFT KNOCK UP	JB72-40241A	1	Y	
2-12	PMO-SHAFT PICK UP	*	1	N	
2-13	RMO-PICK UP RUBBER	JB73-00009A	2	Y	
2-14	MPR-PAD	JF74-10237A	2	Y	
2-15	SPRING-CS(KNOCK UP)	JG61-0545A	2	Y	
3	SCREW-TAPPING	6003-001016	2	Y	

Y: Service available N: Service not available

### 5-5. Base Unit Assembly



## Base Unit Assembly Parts Lists

SA. : Service Available

Location No.	Description	SEC. Code	Q'ty	A/S	Remark
1	ELA UNIT-BASE	refer the Information	1	Y	SF-3200
1	ELA UNIT-BASE(TAD)	refer the Information	1	N	SF-3200T
9	LOCKER-TX	JG64-30001A	2	Y	
3	PMO-DRIVER ADF	JB72-00135B	1	Y	
4	MEC-ROLLER ADF	JB75-00052A	1	Y	
4-1	PMO-SLEEVE ADF	*	1	N	
5	ELA UNIT-CIS	JB96-01039A	1	Y	
5-1	SPRING-CIS(ATLAS)	*	2	N	
5-2	PMO-GUIDE CIS R	*	1	N	
5-3	PMO-GUIDE CIS L	*	1	N	
5-4	CBF HARNESS-LIU-CIS	JB39-00024A	1	Y	
5-5	CONTACT IMAGE SENSOR	0609-001116	1	Y	
6	ELA UNIT-SCAN MOTOR	JB96-01041A	1	Y	
6-1	SCREW-TAPTITE	6003-000261	1	Y	
6-2	SPRING-CLUTCH	*	2	N	
6-3	GEAR-TRANS	*	1	N	
6-4	GEAR-IDLE	*	4	N	
6-5	PMO-BRACKET TX	*	1	N	
6-6	PMO-GUIDE SWING GEAR	*	1	N	
6-7	PMO-GEAR CLUTCH	*	2	N	
6-8	PMO-GEAR DEACC(1)	*	1	N	
6-9	MOTOR-STEP (TX MOTOR)	3101-001194	1	Y	
6-10	CBF HARNESS-EARTH(TX MOTOR)	JB39-00017A	1	Y	
7	MEA ETC-ROLLER WHITE	JB97-01207A	1	Y	
7-1	GEAR-DRIVE	*	1	N	
7-2	PMO-BUSHING WHITE	*	1	N	
7-3	MEC-ROLLER WHITE	*	1	N	
8	MEA ETC-BASE(NEW)	refer the Information	1	Y	SF-3200
8	ELA HOU-BASE(TAD)	refer the Information	1	Y	SF-3200T
8-1	PMO-BASE	*	1	N	
8-2	FOOT	JG61-40001A	2	Y	
8-3	PPR-DUMMY BASE	*	2	N	
8-4	PPR-JACK DUMMY	*	2	N	SF-3200
8-4	PPR-JACK DUMMY	*	3	N	SF-3200T
8-5	CBF HARNESS-BATTERY	JB39-00019A	1	Y	SF-3200T ONLY
8-6	PMO-COVER BATTERY	*	1	N	SF-3200T ONLY

Y: Service available N: Service not available