

Appendix Information

* Please refer to list

ELA UNIT-COVER TOP

SEC CODE	BYUER
JB96-01042A	3100I/XEU
JB96-01042B	3100I/ATG,3100I/GPT,3100I/XSA,3100I/XEG,3100I/XIL

ELA UNIT-OPE

SEC CODE	BYUER
JB96-01036A	3100I/XEU
JB96-01036J	3100I/XIL
JB96-01042B	3100I/XEG
JB96-01042C	3100I/GPT
JB96-01042D	3100I/XET
JB96-01042M	3100I/ATG

ELA UNIT-OPE(TAD)

SEC CODE	BYUER
JB96-01052A	3100TI/XEU
JB96-01052B	3100TI/XEG
JB96-01052G	3100TI/XSA
JB96-01052D	3100TI/XET
JB96-01052M	3100TI/ATG

PMO-COVER OPE B

SEC CODE	BYUER
JB72-00110A	3100I/XEU
JB72-00110B	3100I/XEG
JB72-00110C	3100I/GPT
JB72-00110G	3100I/ATG,3100I/XSA
JB72-00110D	3100I/XET

PMO-COVER OPE B TAD

SEC CODE	BYUER
JB72-00117A	3100TI/XEU
JB72-00117B	3100TI/XEG
JB72-00117D	3100TI/XET
JB72-00110G	3100TI/ATG,3100TI/XSA

PBA MAIN-LIU

SEC CODE	BYUER
JB92-01044A	3100I/XEU,3100I/XET
JB92-01044B	3100TI/XEU
JB92-01044P	3100TI/XET
JB92-01044S	3100I/XSA
JB92-01044T	3100TI/XSA
JB92-01044U	3100I/ATG
JB92-01044V	3100TI/ATG
JB92-01044C	3100I/XIL
JB92-01044D	3100TI/XIL

5. Exploded Views

5-1. Main Assembly

5-2. OPE Unit Assembly

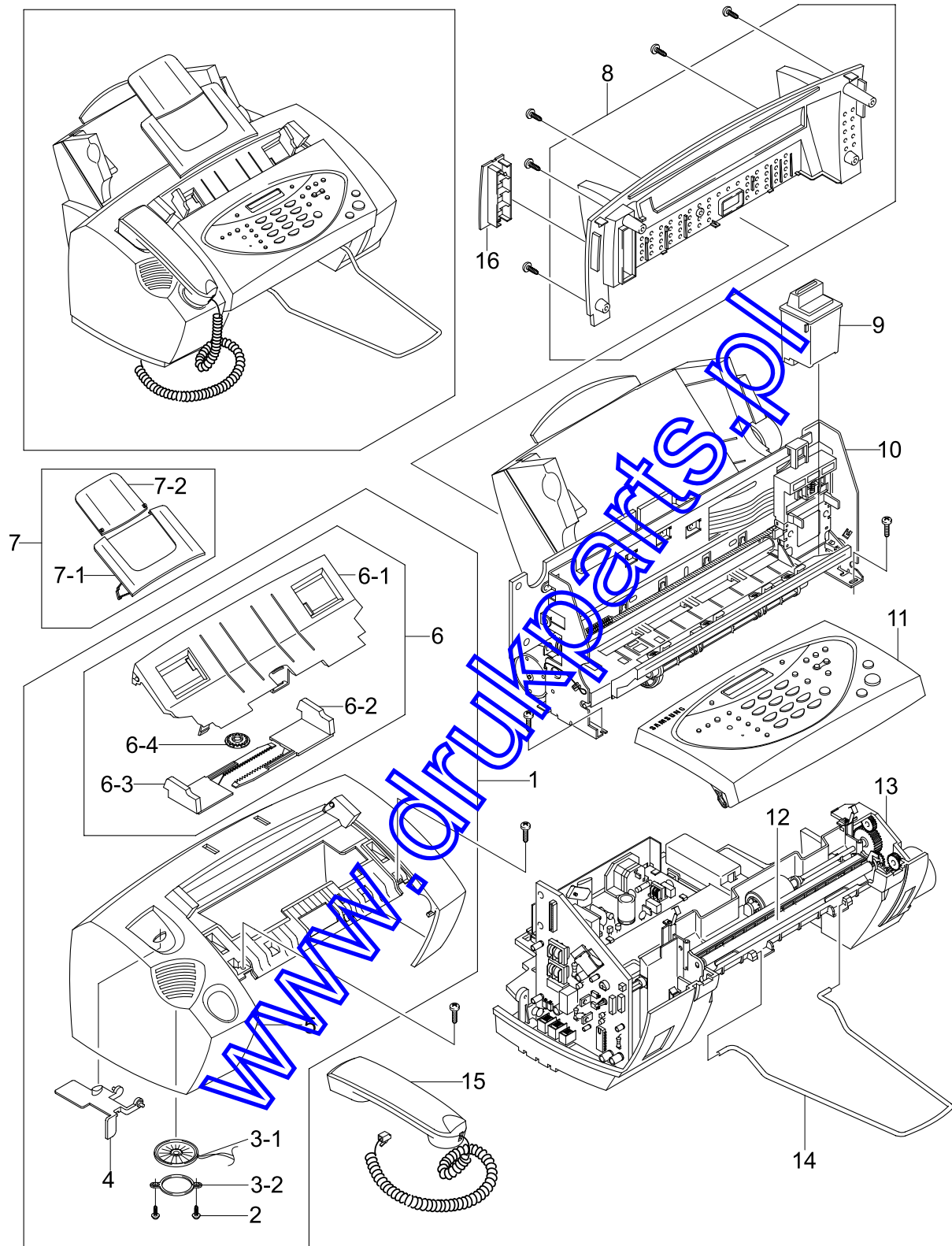
5-3. Handset Unit Assembly

5-4. Engine Unit Assembly

5-5. Base Unit Assembly

www.drukparts.pl

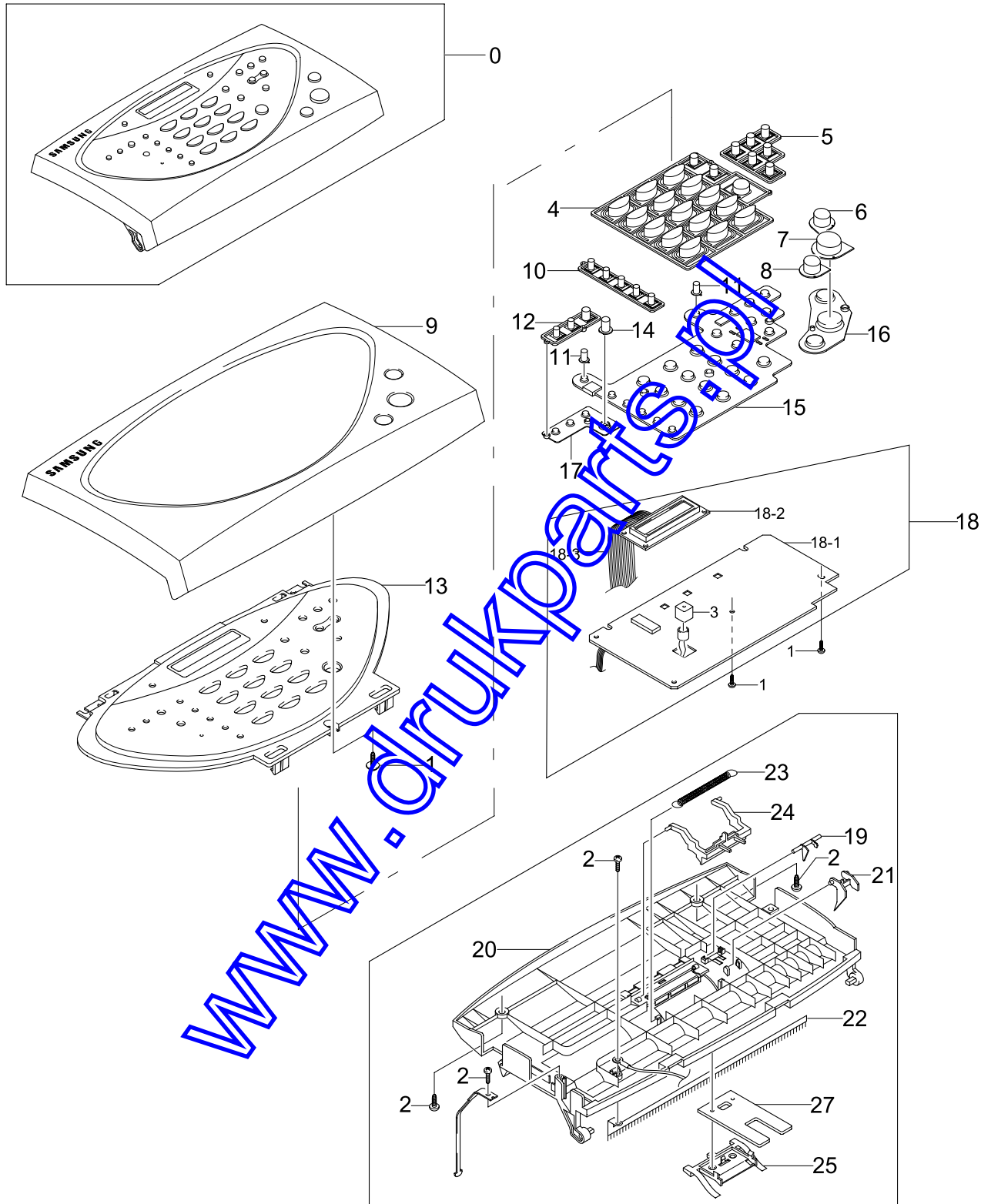
5-1. Main Assembly



Main Assembly Parts Lists

Location No.	Description	SEC. Code	Q'ty	A/S	Remark
1	ELA UNIT-COVER TOP	refer the information	1	Y	
2	SCREW-TAPTITE	*	2	N	
3-1	SPEAKER 8ohm	*	1	N	
3-2	IPR-UNIT FIXING BRACKET	*	1	N	
4	HOOK KNOB	JB72-00121A	1	Y	
5	PMO-COVER TOP	*	1	N	
6	DOC COVER ASS'Y	*	1	N	
6-1	PMO COVER DOC	*	1	N	
6-2	PMO-GUIDE DOC L	*	1	N	
6-3	PMO-GUIDE DOC R	*	1	N	
6-4	GEAR-PINION	*	1	N	
7	MEC-CHUTE	JB75-00068A	1	Y	
7-1	PMO-CHUTE(1)	*	1	N	
7-2	PMO-CHUTE(2)	*	1	N	
8	PMO-COVER REAR	JB71-00138A	1	Y	
9	PRINT HEAD INK-MONO	JB47-30006B	1	Y	
10	ELA UNIT-ENGINE	JB96-01033A	1	Y	
11	ELA UNIT-OPE(TAD)	refer the information	1	Y	SF-3100T
	ELA UNIT-OPE	refer the information	1	Y	SF-3100I
12	MEA ETC-ROLLER WHITE	JB97-01207A	1	Y	
13	ELA UNIT-BASE	*	1	N	
14	EMC-STACKER TX	JB70-00043A	1	Y	
15	ELA HOU-HANDSET	JB96-01043A	1	Y	
16	PMO-COVER ROM	JB72-00139A	1	Y	

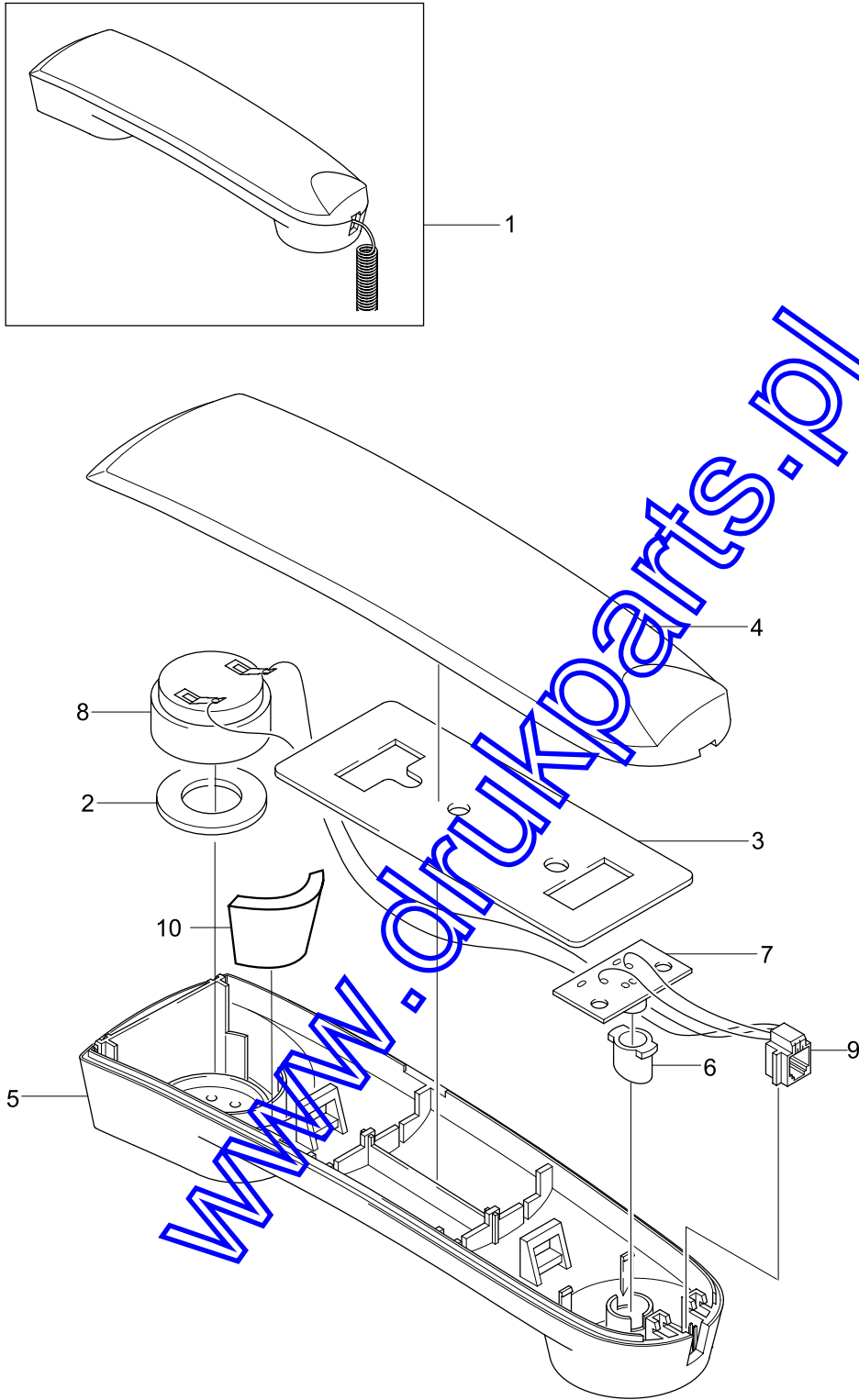
5-2. OPE Unit Assembly



OPE Unit Assembly Parts Lists

Location No.	Description	SEC. Code	Q'ty	A/S	Remark
0	ELA UNIT-OPE(TAD)	JB96-01052A	1	Y	SF-3100T
	ELA UNIT-OPE	JB96-01036A	1	Y	SF-3100I
1	SCREW-TAPTITE	6003-000193	3	Y	
2	SCREW-TAPTITE	6003-000259	4	Y	
3	PMO-MIC ADAPTER	GB72-40770A	1	Y	SF-3100T
4	PMO-KEY TEL	JB72-00100A	1	Y	
5	PMO-KEY FUNCTION	JB72-00101A	1	Y	
6	PMO-KEY COPY	JB72-00102A	1	Y	
7	PMO-KEY START	JB72-00107A	1	Y	
8	PMO-KEY STOP	JB72-00108A	1	Y	
9	PMO-COVER OPE A	*		N	
10	PMO-KEY ONETOUCH	JB72-00111A	1	Y	
11	PMO-KEY RESOLUTION	JB72-00112A	2	Y	
12	PMO-KEY TAD	JB72-00113A	1	Y	SF-3100T
13	PMO-COVER OPEB TAD	refer the information	1	Y	SF-3100T
	PMO-COVER OPEB	refer the information	1	Y	SF-3100I
14	PMO-KEY ANSWER	JB72-41275A	1	Y	SF-3100T
15	RMO-CONTACT RUBBER MAIN	JB73-00005A	1	Y	
16	RMO-CONTACT RUBBER SUB	JB73-00006A	1	Y	
17	RMO-CONTACT RUBBER TAD	JB73-00007A	1	Y	
18	ELA UNIT-OPE BASIC(HW)	JB96-01070A	1	Y	SF-3100T
	ELA UNIT-OPE BASIC(HW)	JB96-01069A	1	Y	SF-3100I
18-1	PBA MAIN-OPE(TAD)	*	1	N	SF-3100T
	PBA MAIN-OPE	*	1	N	SF-3100I
18-2	DISPLAY LCD	*	1	N	
18-3	CBF HARNESS-LCD	*	1	N	
19	PMO-LEVER SENSOR DOC	*	1	N	
20	PMO-FRAME SCAN UPPER	JB72-00115A	1	Y	
21	PMO-LEVER SENSOR SCAN	*	1	N	
22	MEC-ANTISTATIC BRUSH	*	1	N	
23	ICT-SPRING COIL	*	1	N	
24	PMO-SUPPORT ADF	*	1	N	
25	PMO-HOLDER RUBBER	*	1	N	
26	PMO-TIE STOPPER	*	1	N	
27	RPR-RUBBER ADF	JG73-10003A			

5-3. Handset Unit Assembly

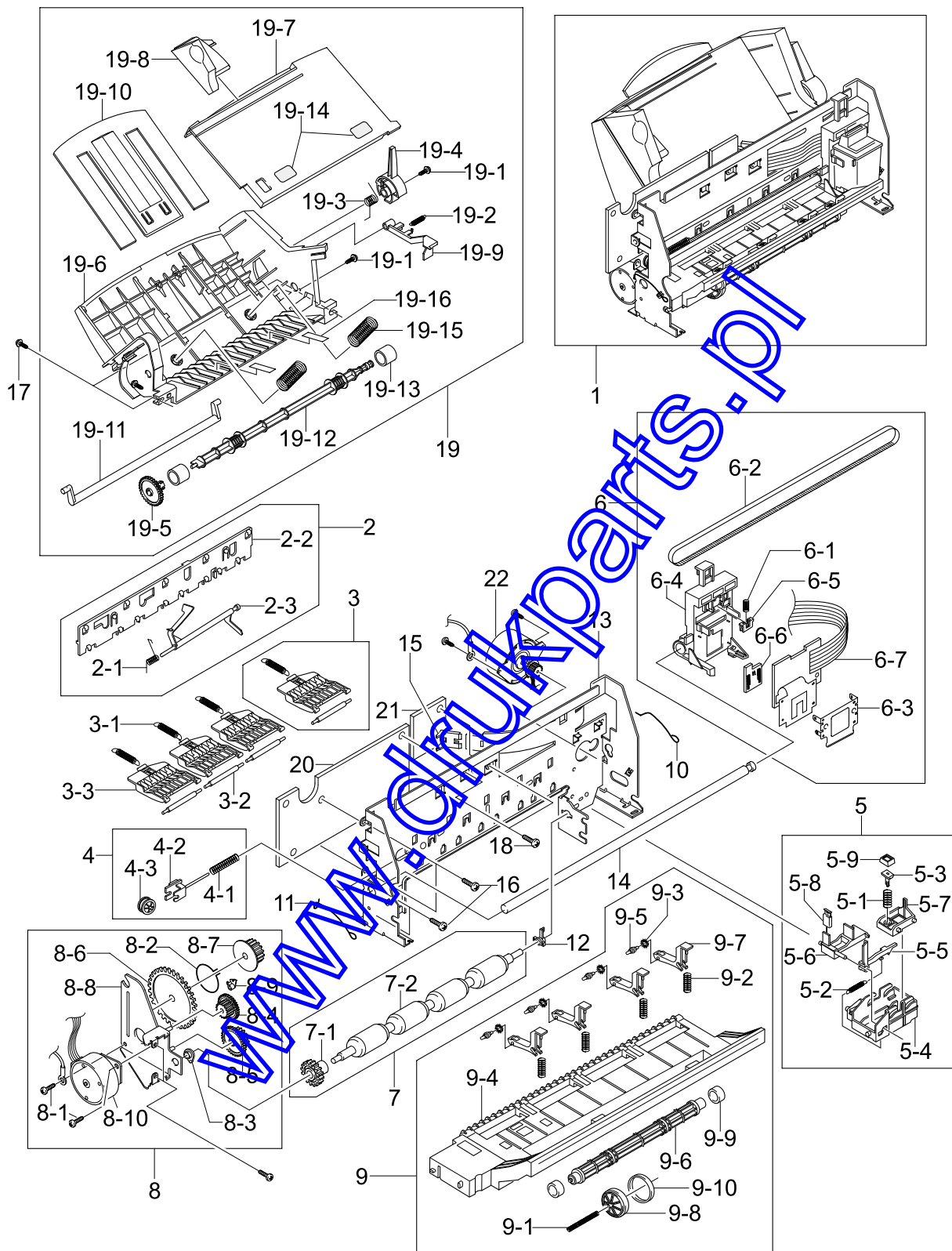


Handset Unit Assembly Parts Lists

Location No.	Description	SEC. Code	Q'ty	A/S	Remark
1	ELA HOU-HANDSET	JB96-01043A	1	Y	
2	RING-OPE	6044-000138	1	Y	
3	IPR-WEIGHT BALANCE	*	1	N	
4	PMO-HANDSET UPPER	*	1	N	
5	PMO-HANDSET LOWER	*	1	N	
6	RMO-RUBBER MIC	*	1	N	
7	PBA SUB ETC-MIC	*	1	N	
8	AUDIO-RECEIVER	3009-001028	1	Y	
9	CBF HARNESS-JACK	*	1	N	
10	IPR-WEIGHT BALANCE	*	1	N	

www.drukparts.pl

5-4. Engine Unit Assembly



Engine Unit Assembly Parts Lists

Location No.	Description	SEC. Code	Q'ty	A/S	Remark
1	ELA UNIT ENGINE(MI)	JB96-01033A	1	Y	
2	MEA ETC-ROLLER SUB	JB97-01199A	1	Y	
2-1	SPRING-ACTUATOR	JB61-70004A	1	Y	
2-2	PMO-HOLDER ROLLER SUB	*	1	N	
2-3	PMO-ACTUATOR FEED	*	1	N	
3	MEA-FRICTION ROLLER	JB97-01200A	4	Y	
3-1	SPRING-ES	*	1	N	
3-2	ICT-ROLLER FRICTION	*	1	N	
3-3	PMO-HOLDER FRICTION	*	1	N	
4	MEA UNIT-PULLEY IDLE	JB97-01089A	1	Y	
4-1	SPRING-CS	*	1	N	
4-2	PMO-HOLDER PULLEY	*	1	N	
4-3	PMO-PULLEY IDLE	*	1	N	
5	MEA UNIT-FRAME HOME	JB97-01090A	1	Y	
5-1	SPRING-CS	*	1	N	
5-2	SPRING-LEVER	*	1	N	
5-3	PMO-HOLDER CAP	*	1	N	
5-4	PMO-FRAME HOME	*	1	N	
5-5	PMO-LEVER WIPER	*	1	N	
5-6	PMO-GUIDE WIPER	*	1	N	
5-7	PMO-GUIDE CAP	*	1	N	
5-8	RMO-WIPER HEAD	*	1	N	
5-9	RMO-CAP HEAD	*	1	N	
6	ELA HOU-CR	JB96-01040A	1	Y	
6-1	SPRING-CS	*	1	N	
6-2	BELT-TIMING	JB66-20901A	1	Y	
6-3	IPR-DEFLECTOR GUIDE	*	1	N	
6-4	PMO-FRAME CR	*	1	N	
6-5	PMO-LATCH HEAD	*	1	N	
6-6	RMO-CONTACT	*	1	N	
6-7	PBA MAIN SPR	*	1	N	
7	MEA-FEED ROLLER	JB97-01201A	1	Y	
7-1	GEAR-FEED	*	1	N	
7-2	MEC-ROLLER FEED	*	1	N	
8	MEA UNIT-BRKT LF	JB97-01205A	1	Y	
8-1	SCREW-TAPTITE	*	2	N	SF-3100T
8-2	SPRING-CS	*	1	N	
8-3	BEARING-FEED L	*	1	N	

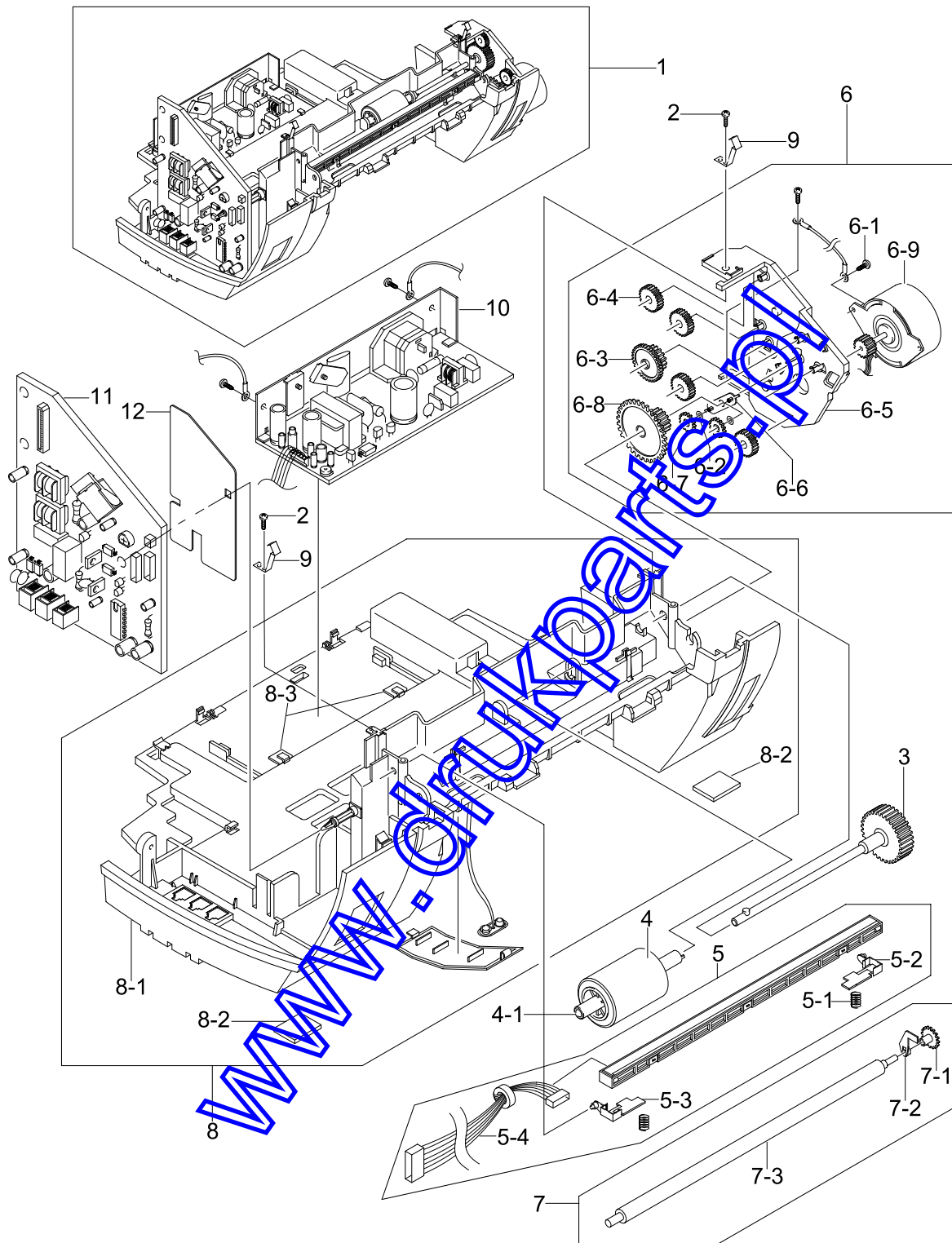
Exploded Views

Location No.	Description	SEC. Code	Q'ty	A/S	Remark
8-4	GEAR-LF IDLE1	*	1	N	
8-5	GEAR-LF IDLE2	*	1	N	
8-6	GEAR-LATCHET (L)	*	1	N	
8-7	GEAR-LATCHET (S)	*	1	N	
8-8	IPR-BRACKET LF	*	1	N	
8-9	PMO-SPOPPER RACHET	*	1	N	
8-10	MOTOR-STEP (LF MOTOR)	*	1	N	
9	MEA UNIT-FRAME BASE	JB97-01206A	1	Y	
9-1	SPRING-RING	*	1	N	
9-2	SPRING-CS(EXIT)	*	4	N	
9-3	IPR-WHEEL STAR(T)	*	4	N	
9-4	PMO-FRAME BASE	*	1	N	
9-5	PMO-HOLDER WHEEL	*	4	N	
9-6	PMO-ROLLER EXIT	JB72-40032A	1	Y	
9-7	PMO-LEVER EXIT	*	4	N	
9-8	PMO-PULLEY EXIT	*	1	N	
9-9	REX-FEED EXIT	*	2	N	
9-10	RMO-RUBBER PULLEY	*	1	N	
10	SPRING-SHAFT CR	*	1	N	
11	SPRING-CR SHAFT	*	1	N	
12	BEARING-FEED R	*	1	N	
13	IPR-FRAME MAIN	*	1	N	
14	ICT-SHAFT CR	*	1	N	
15	PMO-HOLDER FPC	JB72-00098A	1	Y	
16	SCREW-MACHINE	6001-000115	2	Y	
17	SCREW-TAPPING	6003-001016	2	Y	
18	SCREW-TAPTITE	6003-000126	2	Y	
19	MEA UNIT-ASF	JB97-01209A	1	Y	
19-1	SCREW-TAPTITE	6003-000196	2	Y	
19-2	SPRING-ES	*	1	N	
19-3	SPRING-HANDLE	*	1	N	
19-4	HANDLE ASF	*	1	N	
19-5	GEAR-ASF	JB66-40006A	1	Y	
19-6	PMO-FRAME ASF	*	1	N	
19-7	PMO-KNOCK UP PLATE	*	1	N	
19-8	PMO-GUIDE PAPER	JB72-00130A	1	Y	
19-9	PMO-FINGER ASF	*	1	N	
19-10	PMO-GUIDE EXTENSION	JB72-00133A	1	Y	
19-11	PMO-SHAFT KNOCK UP	JB72-40241A	1	Y	

Location No.	Description	SEC. Code	Q'ty	A/S	Remark
19-12	PMO-SHAFT PICK UP	*	1	N	
19-13	RMO-PICK UP RUBBER	JB73-00009A	2	Y	
19-14	MPR-PAD	JF74-10234A	2	Y	
19-15	SPRING-CS(KNOCK UP)	JG61-70545A	2	Y	
19-16	PPR-SHEET ASF	JG72-10553A	2	Y	
20	PBA MAIN-ENGINE	JB92-01131A	1	Y	SF-3100I
	PBA MAIN-ENGINE(TAD)	JB92-01043B	1	Y	SF-3100T
21	PBA MAIN-TAD	JB92-01047A	1	Y	SF-3100T
22	MOTOR-STEP (CR MOTOR)	3101-001192	1	Y	

www.drukparts.pl

5-5. Base Unit Assembly



Base Unit Assembly Parts Lists

Location No.	Description	SEC. Code	Q'ty	A/S	Remark
1	ELA UNIT-BASE	*	1	N	
2	SCREW-TAPTITE	6003-000259	2	Y	
3	PMO-DRIVER ADF	JB72-00135A	1	Y	
4	MEC-ROLLER ADF	JB75-00052A	1	Y	
4-1	PMO-SLEEVE ADF	*	1	N	
5	ELA UNIT-CIS	JB96-01039A	1	Y	
5-1	SPRING-CIS(ATLAS)	JB61-70938A	2	Y	
5-2	PMO-GUIDE CIS R	JB72-00119A	1	Y	
5-3	PMO-GUIDE CIS L	JB72-00131A	1	Y	
5-4	CBF HARNESS-CIS	JB39-00024A	1	Y	
6	ELA UNIT-SCAN MOTOR	JB96-01041A	1	Y	
6-1	SCREW-TAPTITE	6003-000261	1	Y	
6-2	SPRING-CLUTCH	*	2	N	
6-3	GEAR-TRANS	*	1	N	
6-4	GEAR-IDLE	*	4	N	
6-5	PMO-BRACKET TX	*	1	N	
6-6	PMO-GUIDE SWING GEAR	*	1	N	
6-7	PMO-GEAR CLUTCH	*	2	N	
6-8	PMO-GEAR DEACC(1)	*	1	N	
6-9	MOTOR-STEP (TX MOTOR)	*	1	N	
7	MEA ETC-ROLLER WHITE	JB97-01207A	1	Y	
7-1	GEAR-DRIVE	*	1	N	
7-2	PMO-BUSHING WHITE	*	1	N	
7-3	MEC-ROLLER WHITE	*	1	N	
8	MEA ETC-BASE	JB97-01208D	1	Y	
8-1	PMO-BASE	*	1	N	
8-2	FOOT	JG61-40001A	2	Y	
8-3	PPR-DUMMY BASE	*	2	N	
9	LOCKER-TX	JG64-30001A	2	Y	
10	SMPS	JB44-00005C	1	Y	220V
11	PBA MAIN LIU	refer the information	1	Y	SF-3100I
	PBA MAIN LIU	refer the information	1	Y	SF-3100T
12	PPR-LIU INSULATION	*	1	N	