

5. Exploded Views and Parts Lists

5-1. Main Assembly

Main Assembly Parts Lists

5-2. Scanner Assembly

Scanner Assembly Parts Lists

5-3. OPE Unit Assembly

OPE Unit Assembly Parts Lists

5-4. Cover Middle Assembly

Cover Middle Assembly Parts Lists

5-5. Engine Assembly

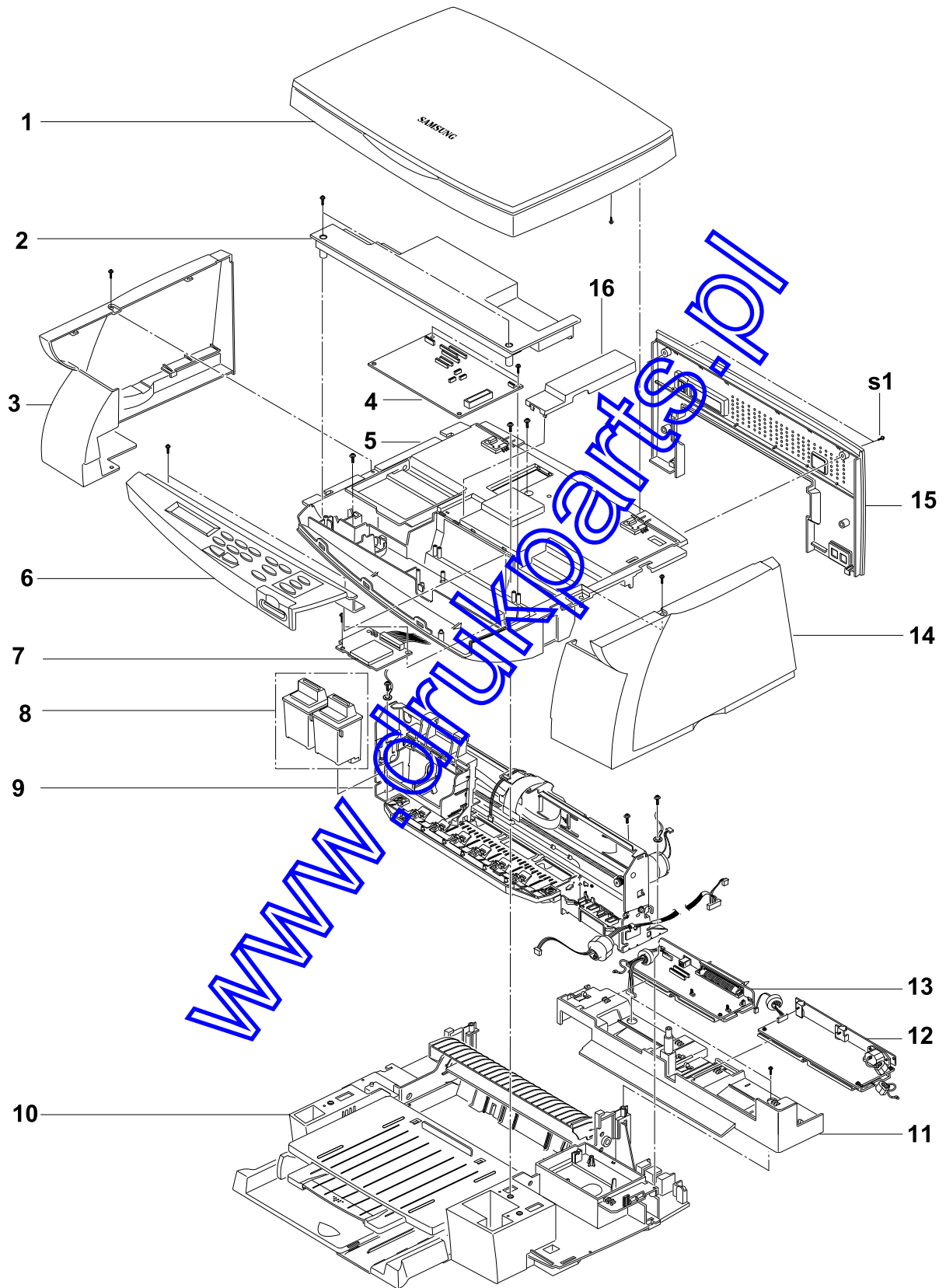
Engine Assembly Parts Lists

5-6. Frame ASF Assembly

Frame ASF Assembly Parts Lists

www.drukparts.pl

5-1 Main Exploded View



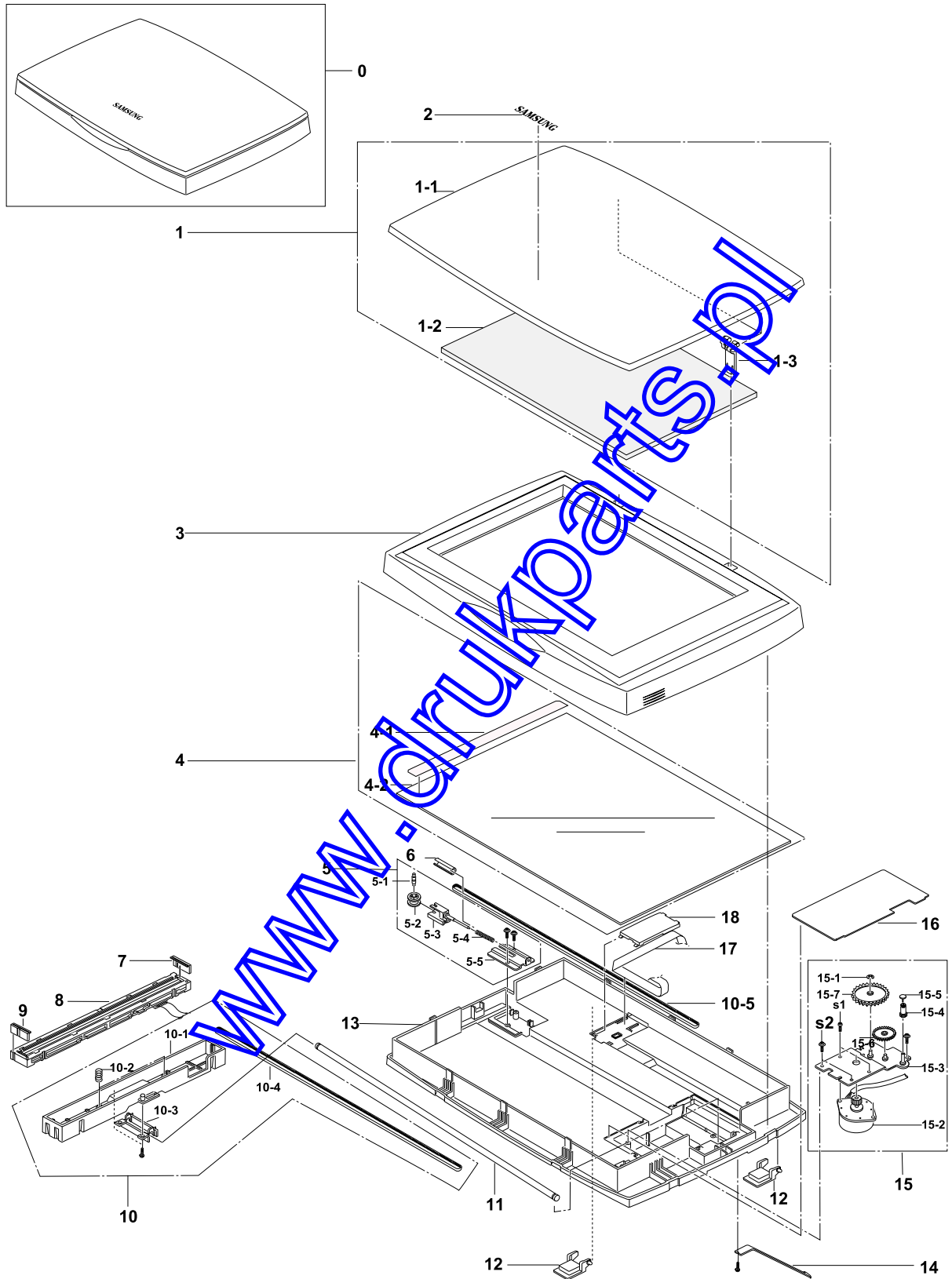
Main Parts Lists

S.A. : Service Available

Location NO.	Description	SEC CODE	Q'ty	SA	Remark
0	SCX-1000	*	1	X	
0	SCX-1000S	*	1	X	
1	ELA UNIT- SCANNER	JB96-01143A	1	O	
2	PMO-COVER PBA	*	1	X	
3	PMO-COVER SIDE LEFT	*	1	X	
4	PBA MAIN-BOARD	JB92-01136A	1	O	1000
4	PBA-SUB-MAIN	JB92-01107A	1	O	1000S
5	MEC-COVER MIDDLE	*	1	X	
6	ELA UNIT-PANEL OPE	JB96-01159B	1	O	1000
6	ELA UNIT-PANEL OPE	JB96-01144B	1	O	1000S
7	PBA-SUB-SMIB	JB92-01109A	1	O	ONLY 1000S
8	PRINT HEAD MONO BIRCH		1	X	
8	PRINT HEAD COLOR BIRCH	*	1	X	
9	ELA UNIT-ENGINE		1	X	
10	ELA UNIT-FRAME ASF	*	1	X	
11	PMO-SUPPORTER SMPS	*	1	X	
12	SMPS-FV	JB96-01134A	1	O	
13	ELA UNIT DRIVER	JB96-01147A	1	O	
14	PMO-COVER SIDE RIGHT	*	1	X	
15	PMO-COVER REAR	*	1	X	
16	PMO-COVER HARNESS	*	1	X	
S1	SCREW-TAPPING	6002-000175	18	O	

O: Service available X: Service not available

5-2 Scanner Exploded View



Scanner Parts Lists

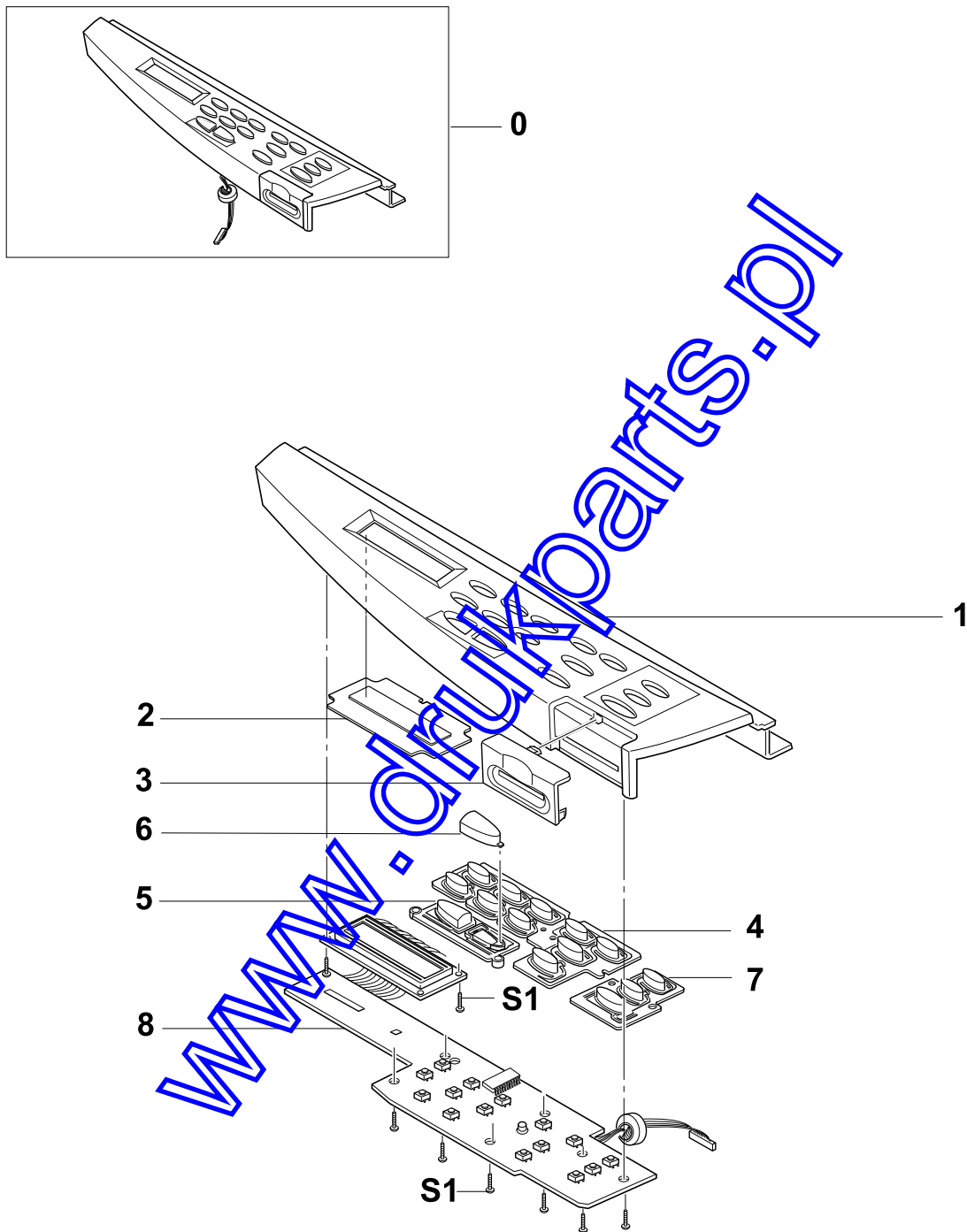
S.A. : Service Available

Location NO.	Description	SEC CODE	Q'ty	SA	Remark
0	ELA UNIT-SCANNER	JB96-01143A	1	O	
1	MEC-COVER PLATEN	*	1	X	
1-1	PMO-COVER PLATEN	*	1	X	
1-2	NPR-SHEET W/SPONGE	*	1	X	
1-3	PMO-PIVOT HINGE UPPER	JB72-00628A	2	O	
2	NPR-BADGE-BRAND	*	1	X	
3	PMO-COVER SCAN UPPER	JB72-00626A	1	O	
4	MEC-OPTICAL GLASS	*	1	X	
4-1	LABEL(P)-SHEET SHADING	*	1	X	
4-2	MCT-GLASS OPTICAL	*	1	X	
5	MEC-IDLE BRKT	JB75-00056A	1	O	
5-1	ICT-SHAFT PULLEY IDLE	*	1	X	
5-2	PMO-PULLEY IDLE	*	1	X	
5-3	PMO-HOLDER PULLEY	*	1	X	
5-4	SPRING-CS	*	1	X	
5-5	IPR-BRACKET IDLE	*	1	X	
6	PMO-STOPPER PULLEY	JB72-00544A	1	O	
7	PMO-SLIDER CWBJ(R)	JB72-00072A	1	O	
8	CONTACT IMAGE SENSOR	0609-00117	1	O	
9	PMO-SLIDER CWBJ(L)	JB72-00071A	1	O	
10	MEA UNIT-CIS CARRIAGE	*	1	X	
10-1	PMO-CARRIAGE CIS	*	1	X	
10-2	SPRING-CS CIS	JB61-00004A	2	O	
10-4	BELT-SCANNER	JB66-00007A	1	O	
10-3	PMO-GUIDE CARRIAGE	*	1	X	
11	ICT-SHAFT CARRIAGE	*	1	X	
12	PMO-PIVOT LOWER	*	2	X	
13	PMO-COVER SCAN LOWER	JB72-00627A	1	O	
14	PMO-TIE STOPPER	*	1	X	
15	MEA UNIT-MOTOR BRACKET	JB97-01212B	1	O	
15-1	RING-E	*	1	X	
15-2	MOTOR-SCAN	JB31-00001B	1	O	
15-3	IPR-BRKT MOTOR	*	1	X	
15-4	PMO-Pulley Timing	*	1	X	
15-5	PMO-Flange Pulley	*	1	X	
15-6	PMO-GEAR IDLE	*	1	X	
15-7	PMO-GEAR REDUCTION	*	1	X	
16	PDR-SHEET SCAN MOTOR	*	1	X	
17	CBF SIGNAL-CIS-MAIN FFC	JB39-00051A	1	O	
18	PMO-CAP FPC	*	1	X	
S1	SCREW-TAPTITE	6003-000269	2	O	
S2	SCREW-TAPPING	6002-000175	6	O	

O: Service available

X: Service not available

5-3 OPE Unit Exploded View



OPE Unit Parts Lists

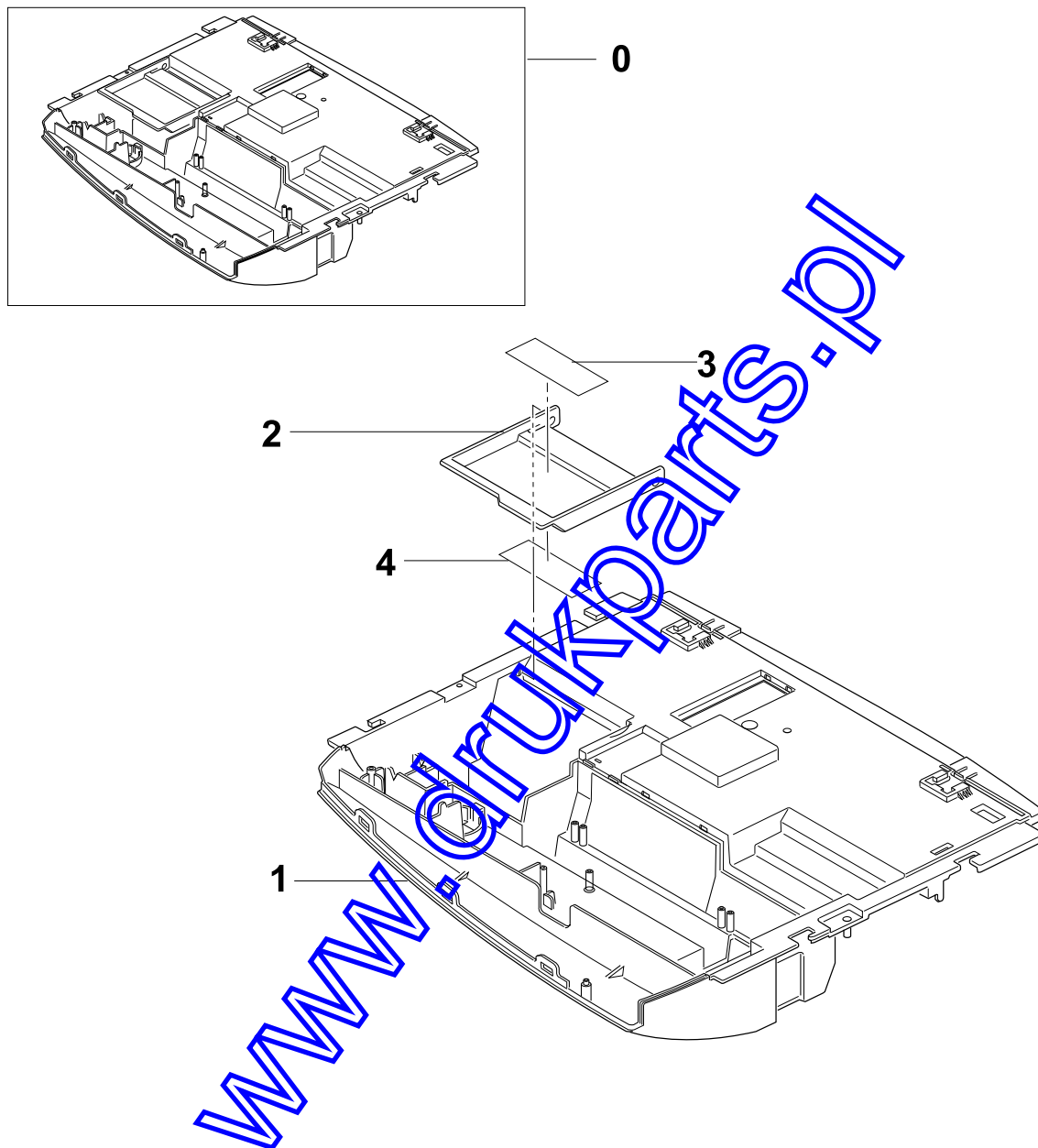
S.A. : Service Available

Location NO.	Description	SEC CODE	Q'ty	SA	Remark
0	ELA UNIT-PANEL OPE	JB96-01159B	1	O	1000
0	ELA UNIT-PANEL OPE	JB96-01144B	1	O	1000S
1	PMO-PANEL OPE(1000)	*	1	X	1000
1	PMO-PANEL OPE(1000S)	*	1	X	1000S
2	PMO-WINDOW LCD	JB72-00640A	1	O	
3	PMO-COVER SMART MEDIA	JB72-00635A	1	O	ONLY 1000S
4	PMO-KEY FUNCTION	*	1	X	
5	PMO-KEY BLACK	*	1	X	
6	PMO-CAP COLOR	*	1	X	
7	PMO-KEY SMART	*	1	X	ONLY 1000S
8	PBA SUB OPE	JB92-01096A	1	O	1000
8	PBA SUB OPE	JB92-01108A	1	O	1000S
S1	SCREW-TAPPING	6002-000175	9	O	

O: Service available

X: Service not available

5-4 Cover Middle Exploded View



Cover Middle Parts Lists

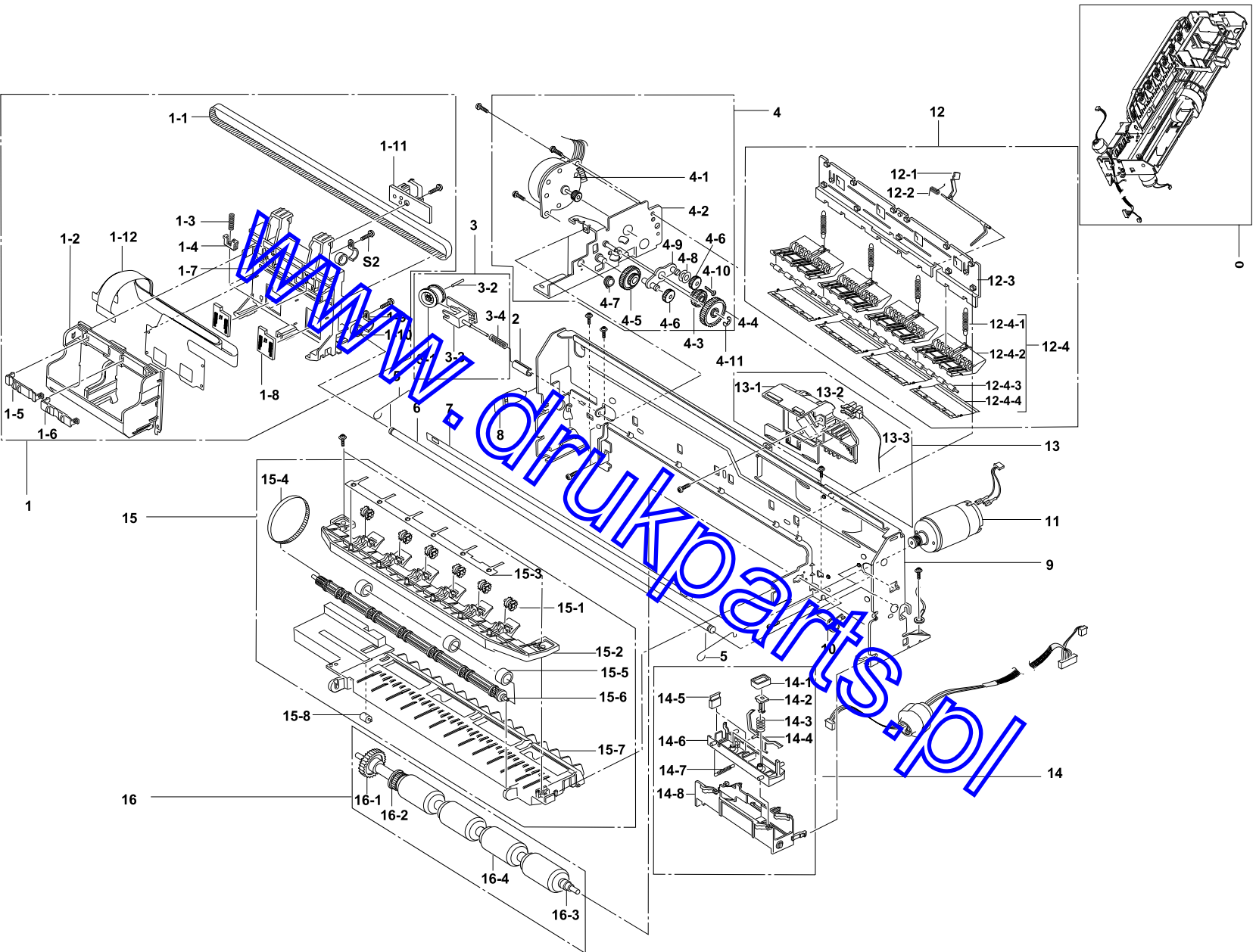
S.A. : Service Available

Location NO.	Description	SEC CODE	Q'ty	SA	Remark
0	MEC-COVER MIDDLE	JB75-00245A	1	O	
1	PMO-COVER MIDDLE	JB72-00617A	1	O	
2	MEC-SUPPORT SCANNER	*	1	X	
3	LABEL (P) -SHEET GUIDE	*	1	X	
4	LABEL (P)- WARNING	*	1	X	

O: Service available X: Service not available

www.drukparts.pl

5-5 Engine Exploded View



Engine Parts Lists

S.A. : Service Available

Location NO.	Description	SEC CODE	Q'ty	SA	Remark
0	ELA UNIT-ENGINE ASS'Y	*	1	X	
1	MEA HOU-CR	JB97-01327B	1	O	
1-1	BELT-CARRIER	*	1	X	
1-2	PMO-CRADDLE HEAD	*	1	X	
1-3	SPRING-LATCH HEAD	*	2	X	
1-4	PMO-LATCH HEAD	*	2	X	
1-5	PMO-KEY HEAD COLOR	*	1	X	
1-6	PMO-KEY HEAD MONO	*	1	X	
1-7	PMO-FRAME CARRIER	*	1	X	
1-8	RPR-RUBBER CONTACT	*	2	X	
1-9	IPR-BEARING CLAMP	*	1	X	
1-10	RPR-RUBBER WIPE HEAD	*	1	X	
1-11	PBA MAIN ENCODER PBA	*	1	X	
1-12	CABLE-FLAT	*	1	X	
2	PMO-STOPPER PULLEY	JB72-41211A	1	O	
3	MEC-PULLEY IDLE	JB75-11110A	1	O	
3-1	PMO-PULLEY IDLE	*	1	X	
3-2	ICT-SHAFT PULLEY IDLE	*	1	X	
3-3	PMO-HOLDER PULLEY	*	1	X	
3-4	SPRING-CS PULLEY	*	1	X	
4	MEC-BRKT (LF MOTOR)	JB75-00183A	1	O	
4-1	MOTOR-STEP LF	JB31-10503A	1	O	
4-2	IPR-BRACKET (LF MOTOR)	*	1	X	
4-3	PMO-CLUTCH ARM PIN	*	1	X	
4-4	GEAR-LF IDLE75	*	1	X	
4-5	GEAR-DOUBLE 5/13(0.4/0.8)	*	1	X	
4-6	GEAR-IDLE SWING 13/0.8	*	2	X	
4-7	BEARING-FEED L	*	1	X	
4-8	IPR-WAVE WASHER	*	2	X	
4-9	PMO-ARM SWING GEAR WAVE 2X12)	*	1	X	
4-10	PMO-CLUTCH ARM PIN	*	1	X	
4-11	RING-C	*	1	X	
5	SPRING-SHAFT CR	JB61-70913A	2	O	
6	ICT-SHAFT CR	JB70-40906A	1	O	
7	PPR-ENCODER	JB72-00005A	1	O	
8	SPRING-PS ENCODER	*	2	X	
9	IPR-FRAME MAIN	*	1	X	
10	BEARING-FEED R	*	1	X	

O: Service available

X: Service not available

Engine Parts Lists

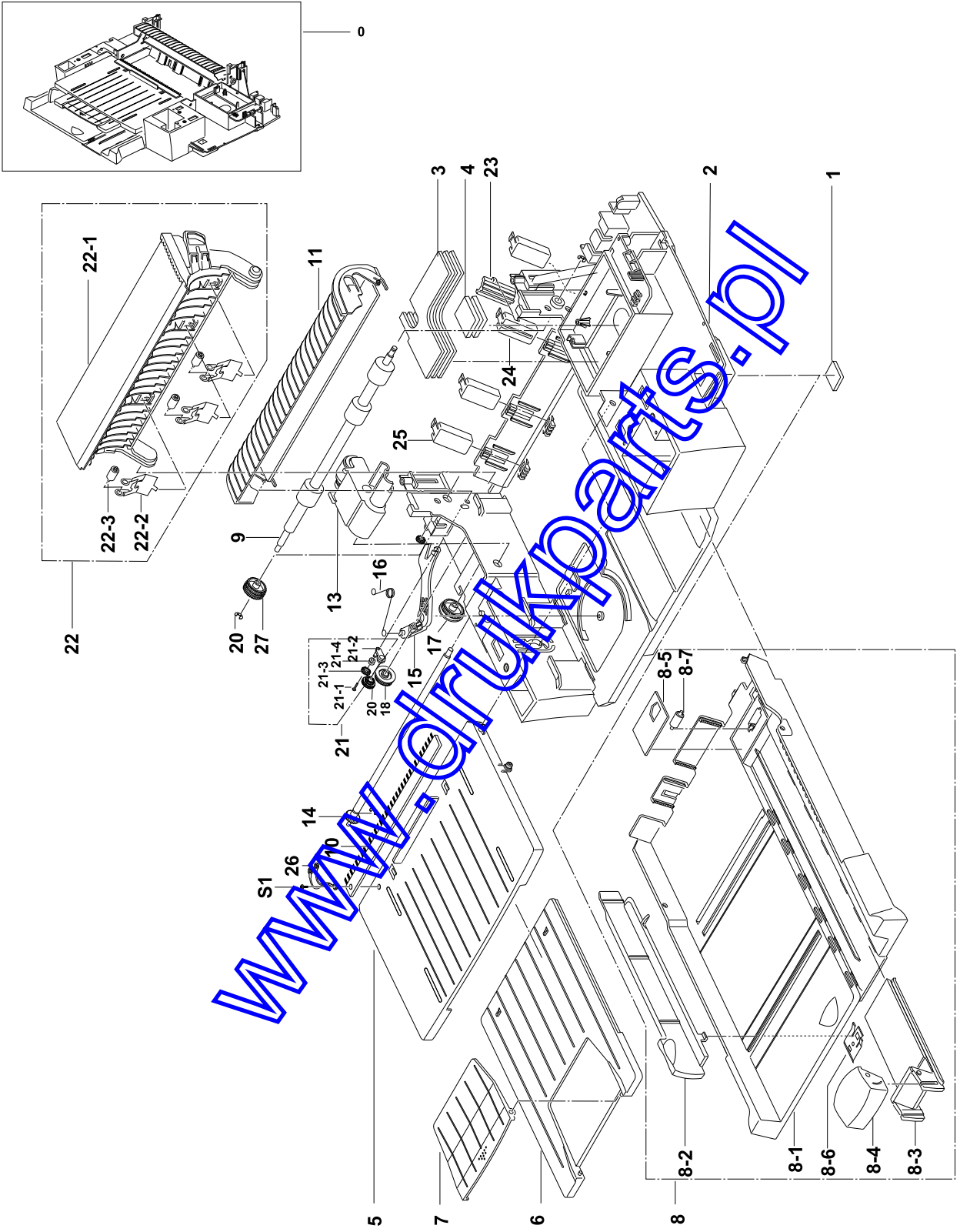
S.A. : Service Available

Location NO.	Description	SEC CODE	Q'ty	SA	Remark
11	ELA UNIT-C/R MOTOR	JB96-01054A	1	O	
12	MEC-HOLDER ROLLER	JB75-00242A	1	O	
12-1	PMO-ACTUATOR FEED	*	1	X	
12-2	SPRING-ES ACTUATOR	*	1	X	
12-3	PMO-HOLDER ROLLER	*	1	X	
12-4	MEC-FRIC ROLLER	JB75-00206A	1	O	
12-4-1	SPRING-ES FRICTION	*	4	X	
12-4-2	PMO-HOLDER-FRICTION	*	4	X	
12-4-3	ICT-FRICTION ROLLER	*	4	X	
12-4-4	IPR-DEFLECTOR	*	4	X	
13	MEC-FPC HOLDER	JB75-00060A	1	O	
13-1	PMO-HOLDER FPC	*	1	X	
13-2	PHOTO-INTERUPTER	0604-001060	1	O	
13-3	CBF HARNESS-PES	*	1	X	
14	MEC-FRAME HOME	JB75-00174A	1	O	
14-1	RPR-RUBBER CAP HEAD	*	2	X	
14-2	HOLDER CAP	*	2	X	
14-3	SPRING-CS	*	2	X	
14-4	PMO-LEVER LATCH	*	1	X	
14-5	RPR-RUBBER WIPE HEAD	*	1	X	
14-6	PMO-SLED HOME	*	1	X	
14-7	SPRING-ES LATCH	*	1	X	
14-8	PMO-FRAME HOME	*	1	X	
15	MEL-FRAME BASE	JB75-00170A	1	O	
15-1	MEA UNIT-WHEEL STAR	*	6	X	
15-2	PMO-HOLDER WHEEL	*	1	X	
15-3	IPR-SPRING WHEEL	*	1	X	
15-4	BELT-EXIT	*	1	X	
15-5	REX-EXIT ROLLER	*	3	X	
15-6	PMO-ROLLER EXIT	*	1	X	
15-7	PMO-FRAME BASE	*	1	X	
15-8	PMO-ROLLER PINCH	*	1	X	
16	MEC-FEED ROLLER	JB75-00062A	1	O	
16-1	GEAR-ROLLER FEED	*	1	X	
16-2	PMO-PULLEY EXIT	*	1	X	
16-3	ICT-ROLLER FEED	*	1	X	
16-4	RMO-FEED ROLLER	*	1	X	
S2	SCREW-TAPPING	*	2	X	

O: Service available

X: Service not available

5-6 Frame ASF Exploded View



Frame ASF Parts Lists

S.A. : Service Available

Location NO.	Description	SEC CODE	Q'ty	SA	Remark
0	ELA UNIT-FRAME ASF	*	1	X	
1	FOOT	*	2	X	
2	PMO-FRAME ASF	*	1	X	
3	MPR-FELT UPPER	JB74-00014A	1	O	
4	MPR-FELT LOWER	JB74-00015A	1	O	
5	PMO-RX-STACKER MAIN	*	1	X	
6	PMO-STACKER (L)	*	1	X	
7	PMO-STACKER S	JB72-41398C	1	O	
8	MEC-CASSETTE ASF	*	1	X	
8-1	PMO-CASSETTE ASF	*	1	X	
8-2	PMO-GUIDE SIDE	*	1	X	
8-3	PMO-GUIDE EXTENSION		1	X	
8-4	PMO-GUIDE EXTENSION DUMMY		1	X	
8-5	MPR-PAD FRICTION	*	1	X	
8-6	IPR-GUIDE SIDE(SPRING)	*	2	X	
8-7	PMO-ROLLER IDLE R	*	1	X	
9	MEC-ROLLER DRIVE	JB75-00187A	1	O	
10	MEC ANTISTATIC BRUSH	*	1	X	
11	PMO-GUIDE INNER	*	1	X	
12	E-RING	*	2	X	
13	MEA UNIT-PICKUP ROLLER	JB97-01310A	1	O	
14	PMO-SHAFT PICKUP (PC+GF)	*	1	X	
15	PMO-LEVER CASSETTE	*	1	X	
16	SPRING-LEVER LOCKING	*	1	X	
17	GEAR-IDLE 32	*	1	X	
18	GEAR-IDLER ASF	*	1	X	
19	GEAR-DOUBLE 25/28(0.8)	*	1	X	
20	GEAR-DOUBLE 20/14	*	1	X	

O: Service available

X: Service not available

S.A. : Service Available

Location NO.	Description	SEC CODE	Q'ty	SA	Remark
21	MEC-ARM(SWING 1X12)	*	1	X	
21-1	PMO-CLUTCH ARM PIN	*	1	X	
21-2	PMO-ARM-SWING GEAR 1X12	*	1	X	
21-3	GEAR-IDLE SWING12(0.8)	*	1	X	
21-4	IPR-WASHER WAVE	*	1	X	
22	MEC-GUIDE OUTER	*	1	X	
22-1	PMO-GUIDE OUTER	*	1	X	
22-2	IPR-SPRING PINCH ROLLER(SPRING)	*	3	X	
22-3	PMO-ROLLER PINCH	*	3	X	
23	PMO-BUCKLER FRICTION	*	1	X	
24	PMO-HOUSING-BUCKLER	*	1	X	
25	PMO-GUIDE-PAPER	*	3	X	
26	CBF HARNESS-CONN GND	*	1	X	
S1	SCREW-TAPPING	*	1	X	
S2	SCREW-TAPPING	*	1	X	

O: Service available X: Service not available