

## 5. Exploded Views and Parts List

---

5-1 Main Assembly

5-2 Front Cover Assembly

5-3 Motor Assembly

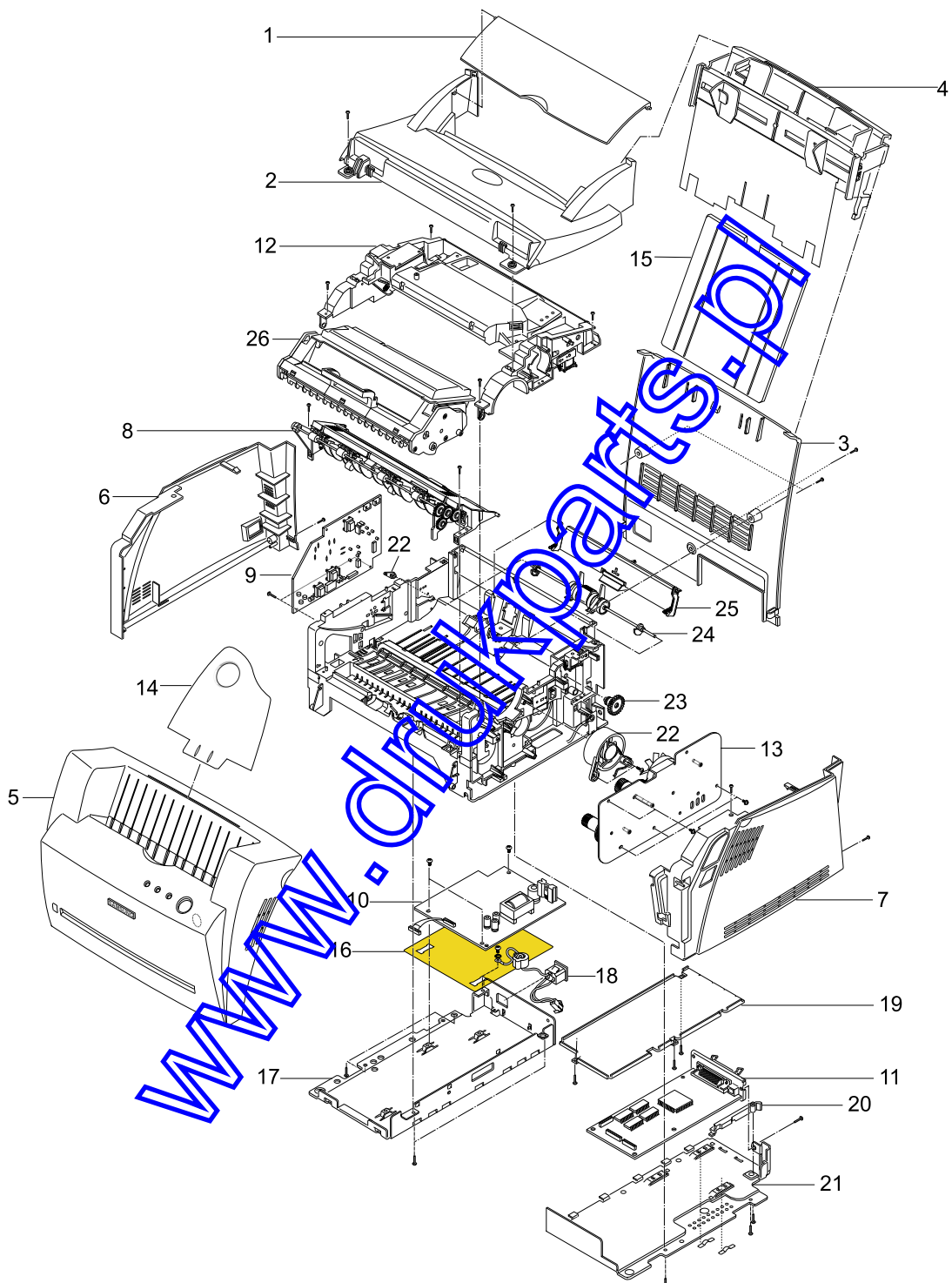
5-4 Fuser Assembly

5-5 Frame Assembly

5-6 Feeder Assembly

[www.drukparts.pl](http://www.drukparts.pl)

### 5-1 Main Assembly



## Main Assembly Parts List

S.A. : Service Available

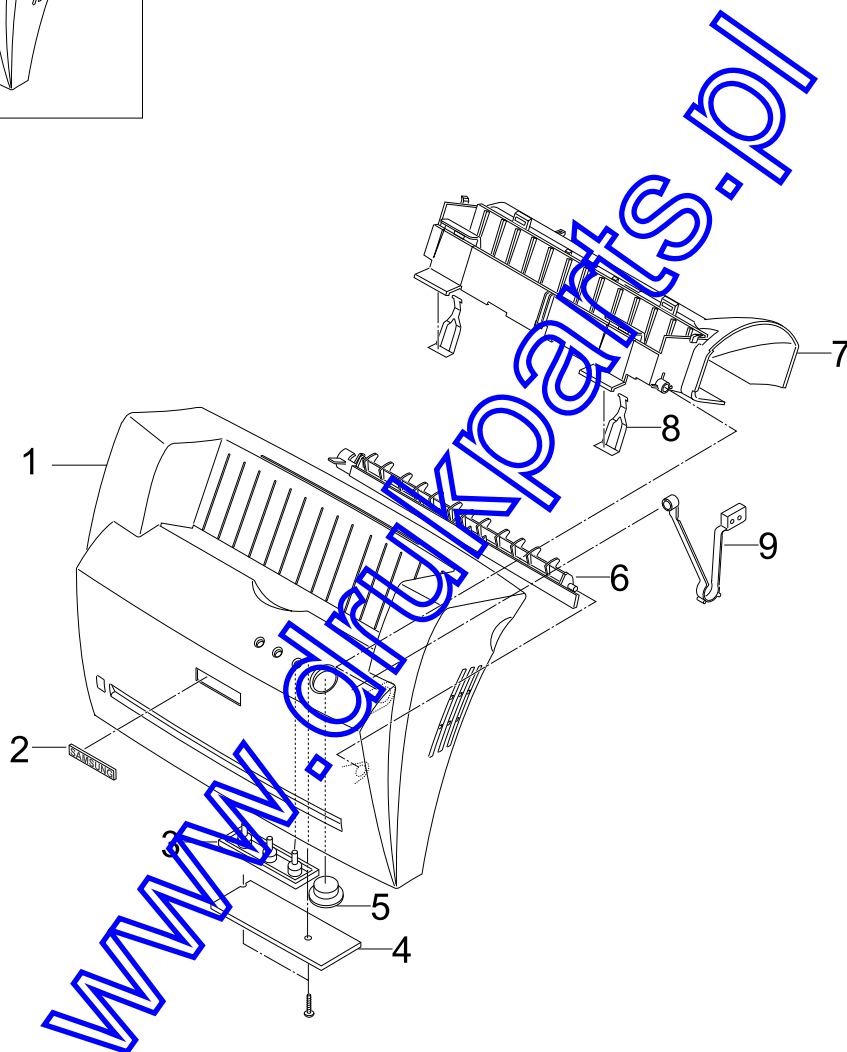
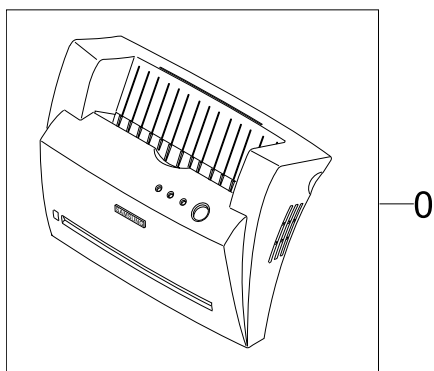
Location NO.	Description	SEC CODE	Q'ty	SA	Remark
1	PMO-COVER TRAY	JC72-00292A	1	O	
2	PMO-COVER TOP	JC72-00298A	1	O	
3	PMO-COVER REAR	JC72-00305A	1	O	
4	UNIT/COVER-TRAY	JC75-00064A	1	O	
5	ELA HOU-FRONT COVER	JC96-01573A	1	O	5200A/XSA
5	ELA HOU-FRONT COVER	JC96-01573D	1	O	5200A/XEF
6	PMO-COVER SIDE(L)	JC72-00296A	1	O	
7	PMO-COVER SIDE(R)	JC72-00297A	1	O	
8	ELA UNIT-FUSER UPPER	JC96-01674C	1	O	220V
9	PBA PWR-HVPS TEPIN	JC92-01174A	1	O	
10	PBA MAIN-TEPIN SMPS	JC92-01189A	1	O	220V
11	PBA MAIN CTRL_TEPIN	JC92-01166A	1	O	
12	ELA UNIT-FRAME UPPER	JC96-01548A	1	O	
13	ELA UNIT-MOTOR	JC96-01564A	1	O	
14	PMO-STACKER RX	*	1	X	
15	PMO-TRAY TX	*	1	X	
16	PPR-INSULLATOR PCU	JC72-10922A	1	O	
17	IPR-SHIELD PCU	*	1	X	
18	CBF AHRNESS-INLET	JC89-00057A	1	O	
19	IPR-SHIELD EMI	*	1	X	
20	PMO-STOPPER CONTROLLER	JC72-00026A	1	O	
21	ELA UNIT-SHIELD SIMM	JC96-00964A	1	O	
22	FAN-DC FAN MOTOR	JC31-30502A	1	O	
23	EMA UNIT-CLUTCH	JC97-01129A	1	O	
24	MEA UNIT-PICK UP	JC97-01130C	1	O	
25	MEA UNIT-KNOCK UP	JC97-01127A	1	O	
26	ELA UNIT-DEVE	*	1	X	

O: Service available

X: Service not available

## 5-2 Front Cover Assembly

---



## Front Cover Assembly Parts List

S.A. : Service Available

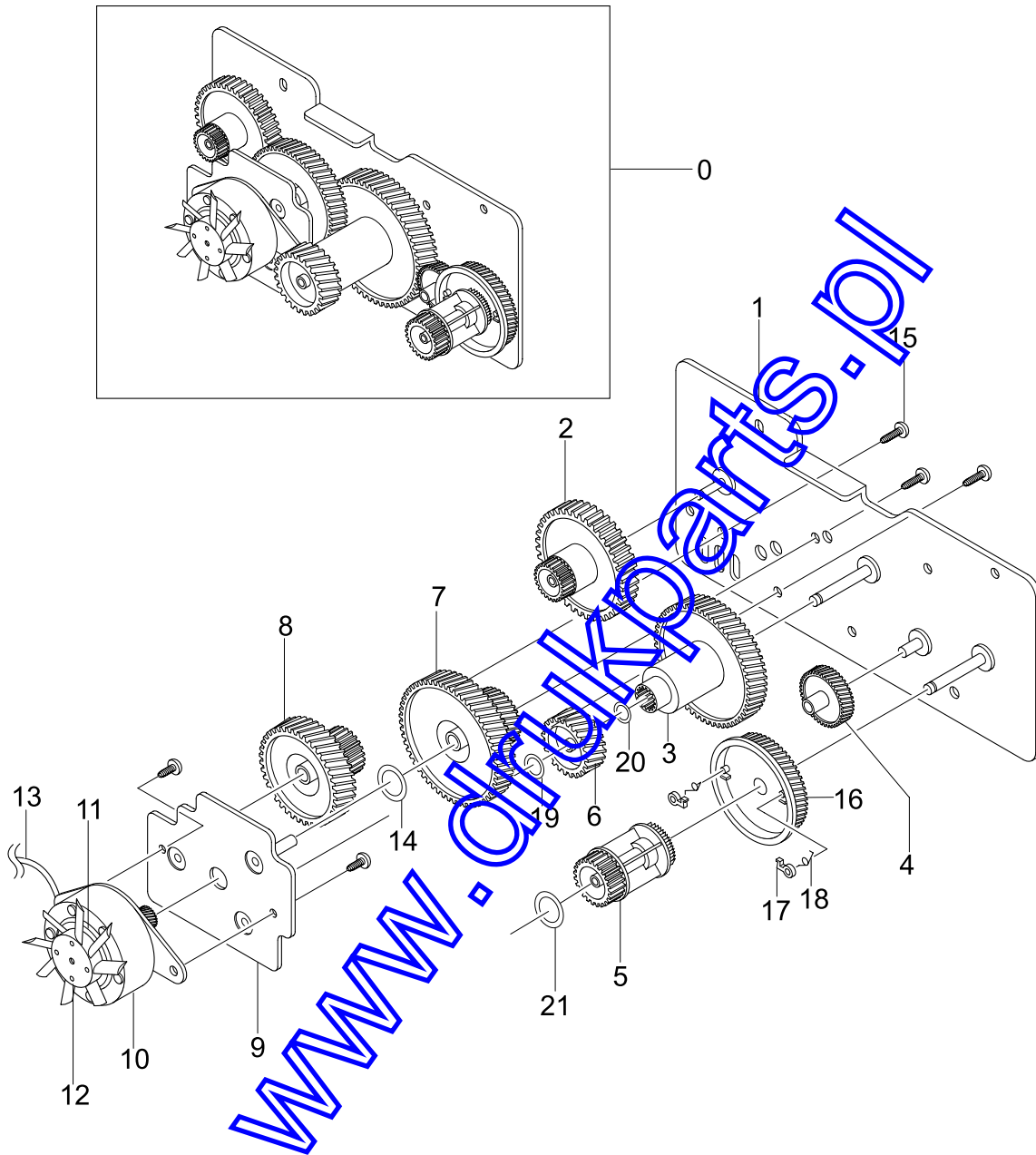
Location NO.	Description	SEC CODE	Q'ty	SA	Remark
0	ELA HOU-FRONT COVER	JC96-01573A	1	O	5200A/XSA
0	ELA HOU-FRONT COVER	JC96-01573D	1	O	5200A/XEF
1	PMO-FRONT COVER	*	1	X	
2	NPR-BADGE	*	1	X	
3	PMO-LENS LED	*	1	X	
4	PBA SUB-PANEL	*	1	X	
5	PMO-KEY	*	1	X	
6	PMO-GUIDE STACKR	*	1	X	
7	PMO-DUCT	JC72-41171A	1	O	
8	PPR-SHEET PAPER GUIDE	*	1	X	
9	PMO-STOPPER	JC72-41170A	1	O	

O: Service available

X: Service not available

www.druckparts.pl

### 5-3 Motor Assembly



## Motor Assembly Parts List

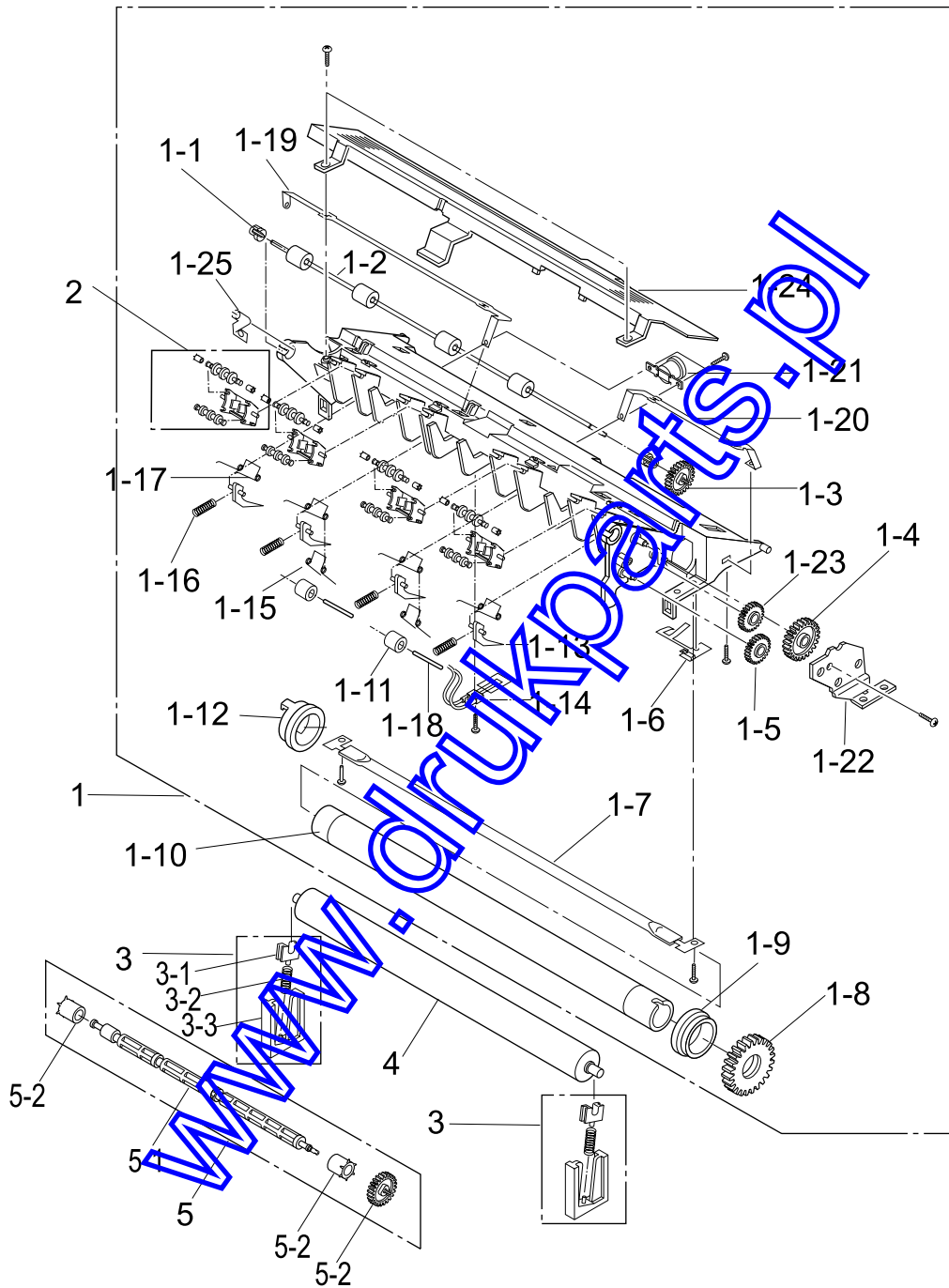
S.A. : Service Available

Location No.	Description	SEC. Code	Q'ty	SA	Remark
0	ELA UNIT-MOTOR	JC96-01564A	1	O	
1	IPR-BRKT GEAR	*	1	X	
2	GEAR-DRIVE FEED	*	1	X	
3	GEAR-OPC DRIVE	*	1	X	
4	GEAR-IDLE62	*	1	X	
5	GEAR-DRIVE FUSER	*	1	X	
6	GEAR-OPC DRV2	*	1	X	
7	GEAR-DRIVE2	*	1	X	
8	GEAR-DRIVE1	*	1	X	
9	IPR-BRKT MOTOR	*	1	X	
10	MOTOR-STEP	3103-011130	1	O	
11	MPR-WASHER SUPPLY	*	1	X	
12	PMO-AIRFOIL	*	1	X	
13	CBF HARNESS-6 P	*	1	X	
14	MPR-POLYWASHER 8,ID8.1,OD12	*	1	X	
15	SCREW-MACHINE, BH, +, M3, L6	*	5	X	
16	GEAR-CLUTCH 104	*	1	X	
17	PMO-CLUTCH LEVER	*	1	X	
18	SPRING-CLUTCH	*	1	X	
19	WASHER-PLAIN, ID 2.8, OD12	*	1	X	
20	WASHER-SPACER, ID 7, OD8	*	1	X	
21	WASHER-PLAIN, ID 2.8, OD5.2	*	1	X	

O: Service available

X: Service not available

## 5-4 Fuser Assembly





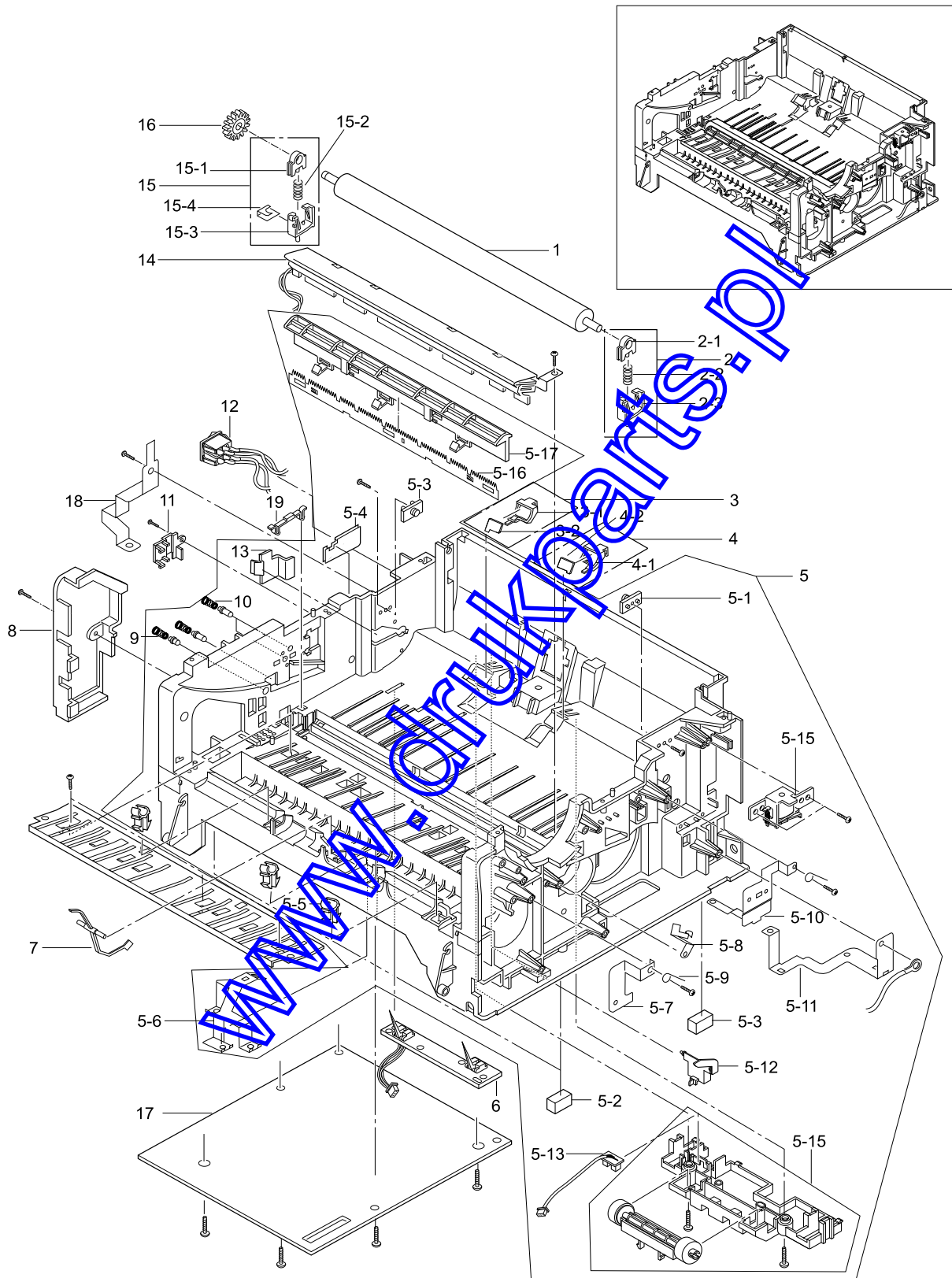
## Fuser Assembly Parts List

S.A. : Service Available

Location NO.	Description	SEC CODE	Q'ty	SA	Remark
1	ELA UNIT FUSER UPPER	JC96-01674C	1	O	220V
1-1	BEARING-EXIT FU L	*	1	X	
1-2	UNIT EXIT F/DOWN	*	2	X	
1-3	GEAR-EXIT 18	*	1	X	
1-4	GEAR-IDLE2(19)	*	1	X	
1-5	GEAR-IDLE3(14)	*	2	X	
1-6	GROUND-PLATE,FU	*	1	X	
1-7	LAMP-HALOGEN	4713-001126	1	O	220V
1-8	GEAR-FUSER	*	1	X	
1-9	BEARING-H/R,L	*	1	X	
1-10	NEX-ROLLER HEAT	JC71-20903A	1	O	
1-11	ROLLER-EXIT.F/UP	*	2	X	
1-12	BEARING-H/R,R	*	1	X	
1-13	GUIDE-CLAW	*	4	X	
1-14	MEP-THERMODETECTOR	1404-00016	1	O	
1-15	SPRING-EXIT,F/UP	*	2	X	
1-16	SPRING-ES,GUIDE CLAW	*	4	X	
1-17	SPRING-EXIT,F/DOWN	*	4	X	
1-18	SHAFT IDEL,F/UP	*	2	X	
1-19	NPR-ELECTRODE_L,AC	*	1	X	
1-20	NPR-ELECTRODE_R,AC	*	1	X	
1-21	THERMOSTAT	4712-000001	1	O	
1-22	BRKT-FUSER	*	1	X	
1-23	GEAR-EXIT	*	1	X	
1-24	PMO-COVER-FUSER	*	1	X	
1-25	NPR-TEMINAL,LAMP	*	1	X	
2	PMO-HOLDER EXIT DOWN	*	4	X	
3	MEA ETC-HOLDER_P/R	JC97-01125A	2	O	
3-1	BEARING-PRESSURE R	*	2	X	
3-2	SPRING CS BEARING PR	*	2	X	
3-3	PMO HOLDER_P/R BEARI	*	2	X	
4	MEC-ROLLER PRESSURE	JC75-10967A	1	O	
5	MEA ETC-ROLLER EXIT	JC97-01126A	1	X	
5-1	PMO-SHAFT EXIT F/UP	*	1	X	
5-2	PPR-RUBBER FEED	*	1	X	
5-3	GEAR-EXIT	*	1	X	

O: Service available X: Service not available

## 5-5 Frame Assembly



## Frame Assembly Parts List

S.A. : Service Available

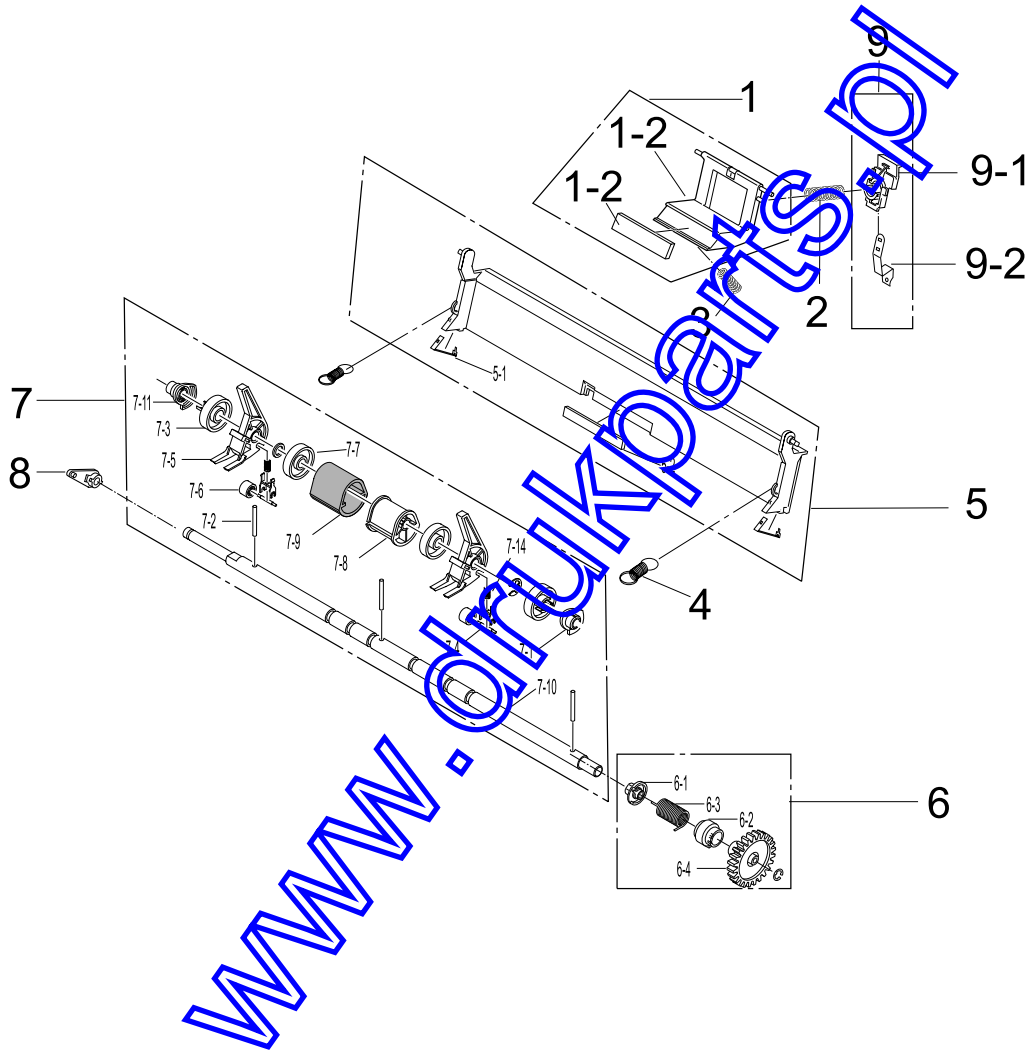
Location NO.	Description	SEC CODE	Q'ty	SA	Remark
1	EMC-ROLLER TRANSFER	JC75-10963A	1	O	
2	MEA UNIT-HOLDER TR R	JC97-01112A	1	O	
2-1	PMO-BUSHING TR	*	1	X	
2-2	SPRING-TR R	*	1	X	
2-3	PMO-TRANSFER HOLDER	*	1	X	
3	MEA UNIT-SEPARATE(L)	JC97-01133A	1	O	
4	MEA UNIT-SEPARATE(R)	JC97-01134A	1	O	
5	MEA-UNIT FRAME LOWER	JC96-01547E	1	O	220V
5-1	HOLDER SPRING	*	1	X	
5-2	FOOT-RUBBER TEPIN	*	2	X	
5-3	HOLDER-SPRING	*	1	X	
5-4	SHEET-COVER,HOLE	*	1	X	
5-5	PMO-BUSHING TX	*	1	X	
5-6	GND-PLATE,SAW	*	1	X	
5-7	IPR-GROUND FU	*	1	X	
5-8	IPR-GROUND OPC	*	1	X	
5-9	ELA HOU-MGR ASS'Y	*	1	X	
5-10	ELA HOU-VARISTER	*	1	X	
5-11	IPR-GROUND MOTOR	*	1	X	
5-12	ACTUATOR-EMPTY	*	1	X	
5-13	PBA SUB OPTIC-PE	*	1	X	
5-14	MEA UNIT-FRAME SUPPORT	JC97-01244B	1	O	
5-15	SOLENOID-TEPIN	JC99-10004C	1	O	
5-16	IPR-PLATE SAW	*	1	X	
5-17	PMO-HOLDER PLATE SAW	*	1	X	
6	ASSY-FEED SENSOR	*	1	X	
7	ACTUATOR-EXIT	*	1	X	
8	COVER WIRE FU	*	1	X	
9	SPRING-HV SMALL	*	3	X	
10	ICT-SHAFT HV LARGE	*	3	X	
11	ELA UNIT FUSE DEVE	*	1	X	
12	CBF-HARNESS-POWER SW	JC39-00055A	1	O	
13	PICK ROLLER ACCESS	*	1	X	
14	ELA UNIT-PTL	JC96-01565A	1	O	
15	MEA UNIT-HOLDER TR L	JC97-01160A	2	O	
15-1	PMO-BUSHING TR	*	1	X	
15-2	SPRING-TR	*	1	X	
15-3	IPR-PLATE TR	*	1	X	
15-4	PMO-TRANSFER HOLDER	*	1	X	
16	TRANSFER GEAR	JC66-40943A	1	O	
17	ENGINE BL	*	1	X	
18	GND HVPS HARNESS	*	1	X	
19	CAP TR	*	1	X	
20	IPR-GUIDE TRANSFER	JC70-11063A	1	O	

O: Service available

X: Service not available

## 5-6 Feeder Assembly

---



## Feeder Assembly Part List

S.A. : Service Available

Location NO.	Description	SEC CODE	Q'ty	SA	Remark
1	MEA UNIT-SEPARATE	JC97-01132A	1	O	
1-1	PMO-HOLDER SEP P/UP	*	1	X	
1-2	RPR-PAD SEPERATE P/U	*	1	X	
2	SPRING-KNOCK UP	*	1	X	
3	SPRING-SEPARATE P/UP	JC61-70935A	1	O	
4	SPRING-EXTENSION	JC61-70950A	2	O	
5	MEA UNIT-KNOCK UP	JC97-01127A	1	O	
5-1	IPR-BRKT HOLDER KUP	*	2	X	
5-2	RPR-PAD KNOCK,UP	*	1	X	
6	MEA UNIT-CLUTCH	JC97-01129A	1	O	
6-1	PMO-HUB CLUTCH	*	1	X	
6-2	PMO-COLLAR CLUTCH1	*	1	X	
6-3	SPRING-SPRING CLUTCH	*	1	X	
6-4	GEAR-PICK UP(41)	*	1	X	
7	MEA UNIT-PICK UP	JC97-01130C	1	O	
7-1	PMO-CAM KNOCKUP, L	*	1	X	
7-2	ICT-PIN P/UP SHAFT	*	3	X	
7-3	PMO-GUIDE ROLL PA, LA	*	2	X	
7-4	IPR-SHAFT FEED IDLER	*	2	X	
7-5	PMO-GUIDE PAPER, FEED	*	2	X	
7-6	PMO-ROLLER FEED L	*	2	X	
7-7	PMO-GUIDE ROLL, PAPER	*	2	X	
7-8	PMO-HOUSING PICK UP	*	1	X	
7-9	RPR-RUBBER PICKUP	*	1	X	
7-10	ICT-SHAFT PICK UP	*	1	X	
7-11	PMO-CAM KNOCKUP 4	*	1	X	
7-12	RING-C, IDZ DB1, 50.6	*	2	X	
7-13	HOLDER-FEED	*	2	X	
7-14	SPRENG-FEED	*	2	X	
8	PMO-BUSHING SHAFT LOCK	JG72-40849A	1	O	
9	PMO-HOLDER SPR P/UP	JC72-41153A	1	O	
9-1	PMO-HOLDER SPR P/UP	*	1	X	
9-2	IPR-GND KNOCKUP	*	1	X	

O: Service available

X: Service not available

# MEMO

[www.drukparts.pl](http://www.drukparts.pl)