

## 5. Exploded Views and Parts List

---

5-1 Main Exploded View

5-2 Main Parts List

5-3 Front Cover Exploded View

5-4 Front Cover Parts List

5-5 Top Cover Exploded View

5-6 Top Cover Parts List

5-7 Fuser Exploded View

5-8 Fuser Parts List

5-9 Frame Exploded View

5-10 Frame Parts List

5-11 Feeder (1/2) Exploded View

5-12 Feeder (1/2) Parts List

5-13 Feeder (2/2) Exploded View

5-14 Feeder (2/2) Parts List

5-15 Motor Exploded View

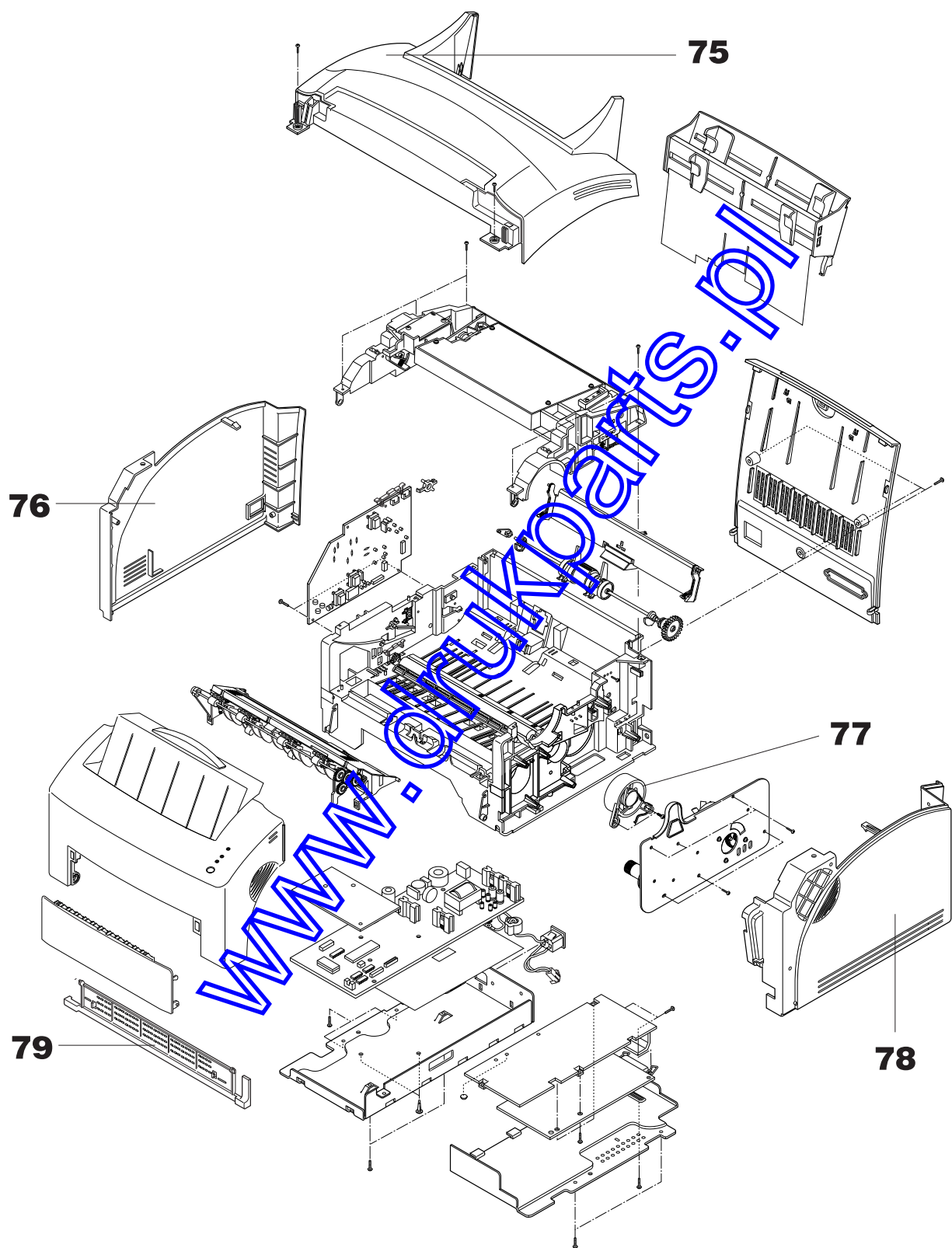
5-16 Motor Parts List

5-17 PCB Exploded View

5-18 PCB Parts List

[www.drukparts.pl](http://www.drukparts.pl)

### 5-1 Main Exploded View

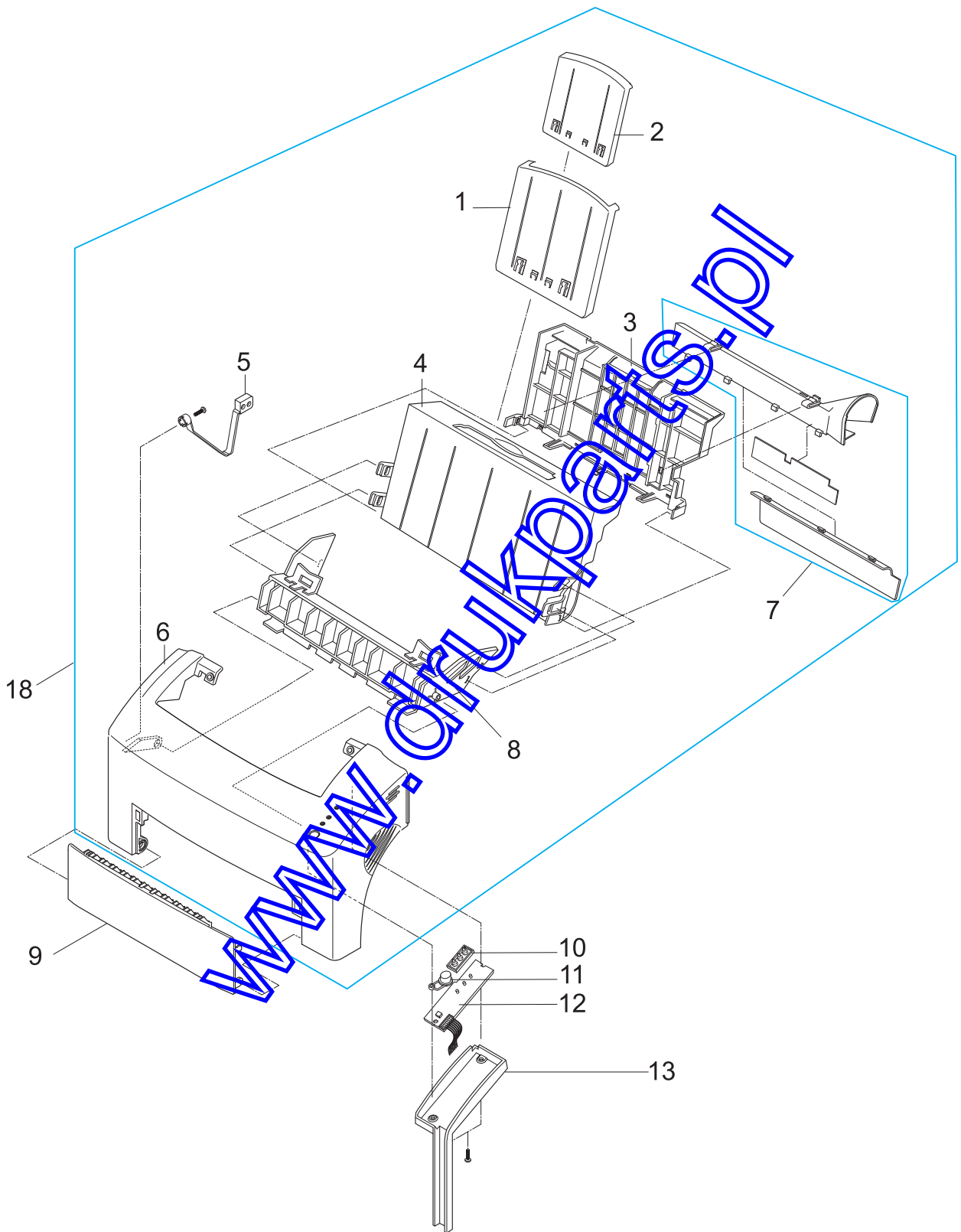


**5-2 Main Parts List**

NO	DESCRIPTION	SEC. CODE	Q'TY	REMARK
75	COVER TOP	JC72-41279A	1	
76	COVER SIDE,L	JC72-41086C	1	
77	DC FAN MOTOR	JC31-30502A	1	
78	COVER SIDE,R	JC72-41087C	1	
79	COVER-BOTTOM	JC72-41089C	1	

[www.druckparts.pl](http://www.druckparts.pl)

### 5-3 Front Cover Exploded View



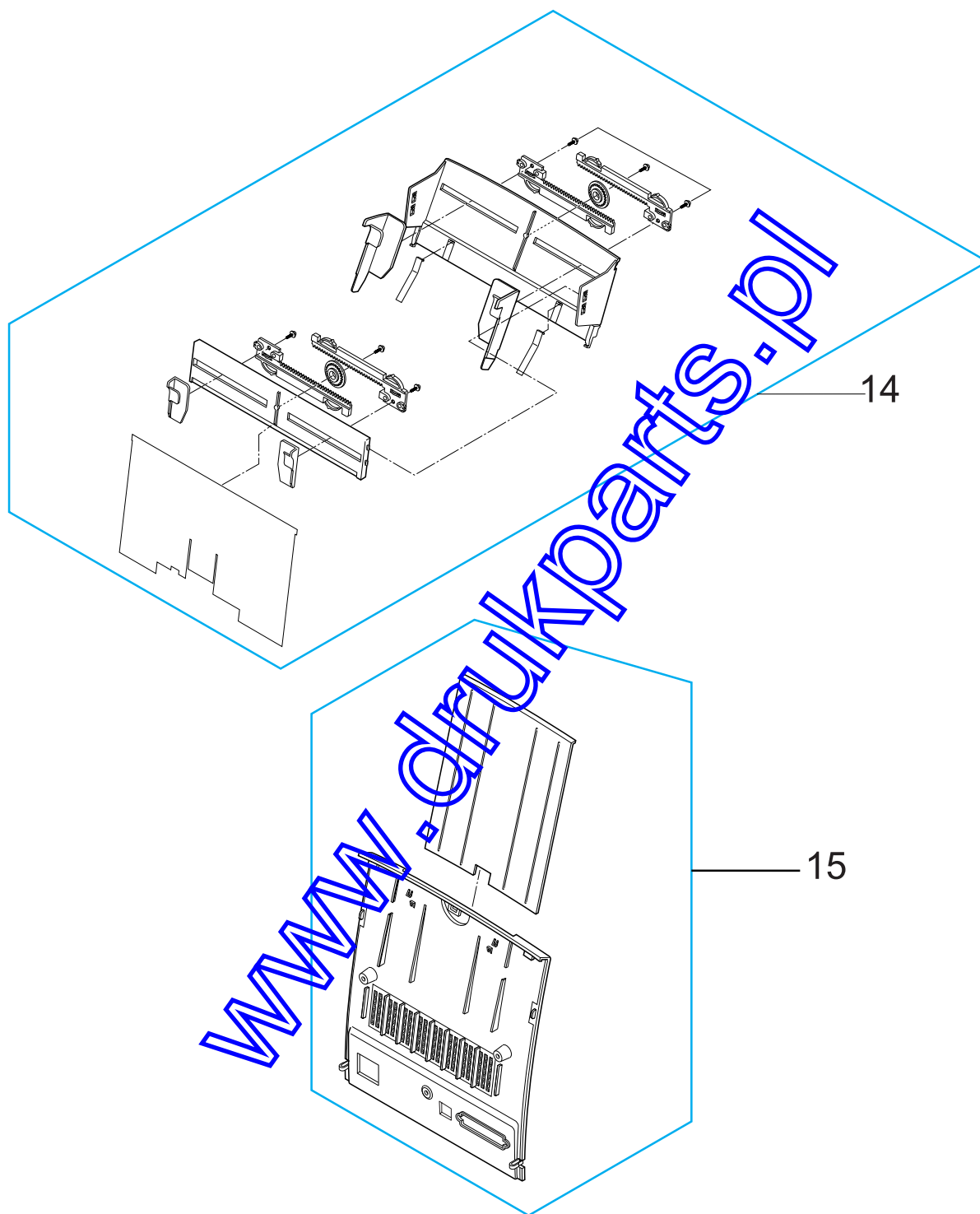
## 5-4 Front Cover Parts List

NO	DESCRIPTION	SEC. CODE	Q'TY	REMARK
1	STACKER(RX)	JC72-41270A	1	ML-5100A
2	STACKER-EXTEND	JC72-41278A	1	
3	COVER-STACKER	JC72-41267A	1	
4	FRAME-STACKER	JC72-41268A	1	
5	STOPPER	JC72-41170A	1	
6	COVER-FRONT	JC72-00022A	1	
7	DUCT	JC97-01219B	1	
8	GUIDE-STACKER	JC72-41269A	2	
9	COVER-EXIT	JC72-41276A	1	
10	LED	JC72-41263A	1	
11	KEY	JC72-41262A	1	
12	PBA-PANEL	JC92-01059A	1	
13	COVER-PCB	JC72-41275A	1	
18	ASSY-COVER FRONT	JC96-00381A	1	

[www.druckparts.pl](http://www.druckparts.pl)

### 5-5 Top Cover Exploded View

---

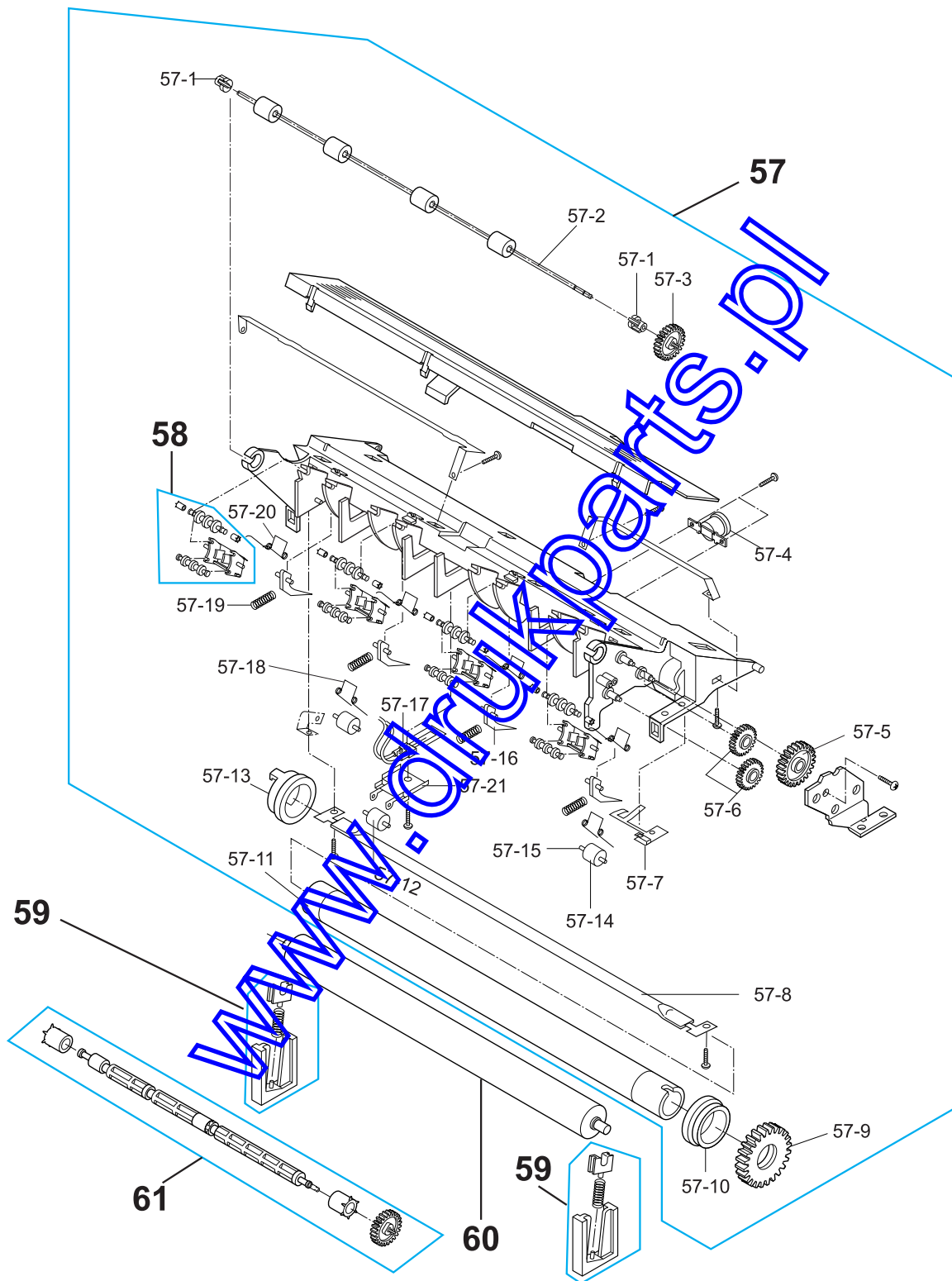


**5-6 Top Cover Parts List**

NO	DESCRIPTION	SEC. CODE	Q'TY	REMARK
14	MEA-UNIT TRAY	JC97-01135C	1	
15	MEA UNIT-COVER REAR	JC97-01154B	1	

[www.drukparts.pl](http://www.drukparts.pl)

## 5-7 Fuser Exploded View

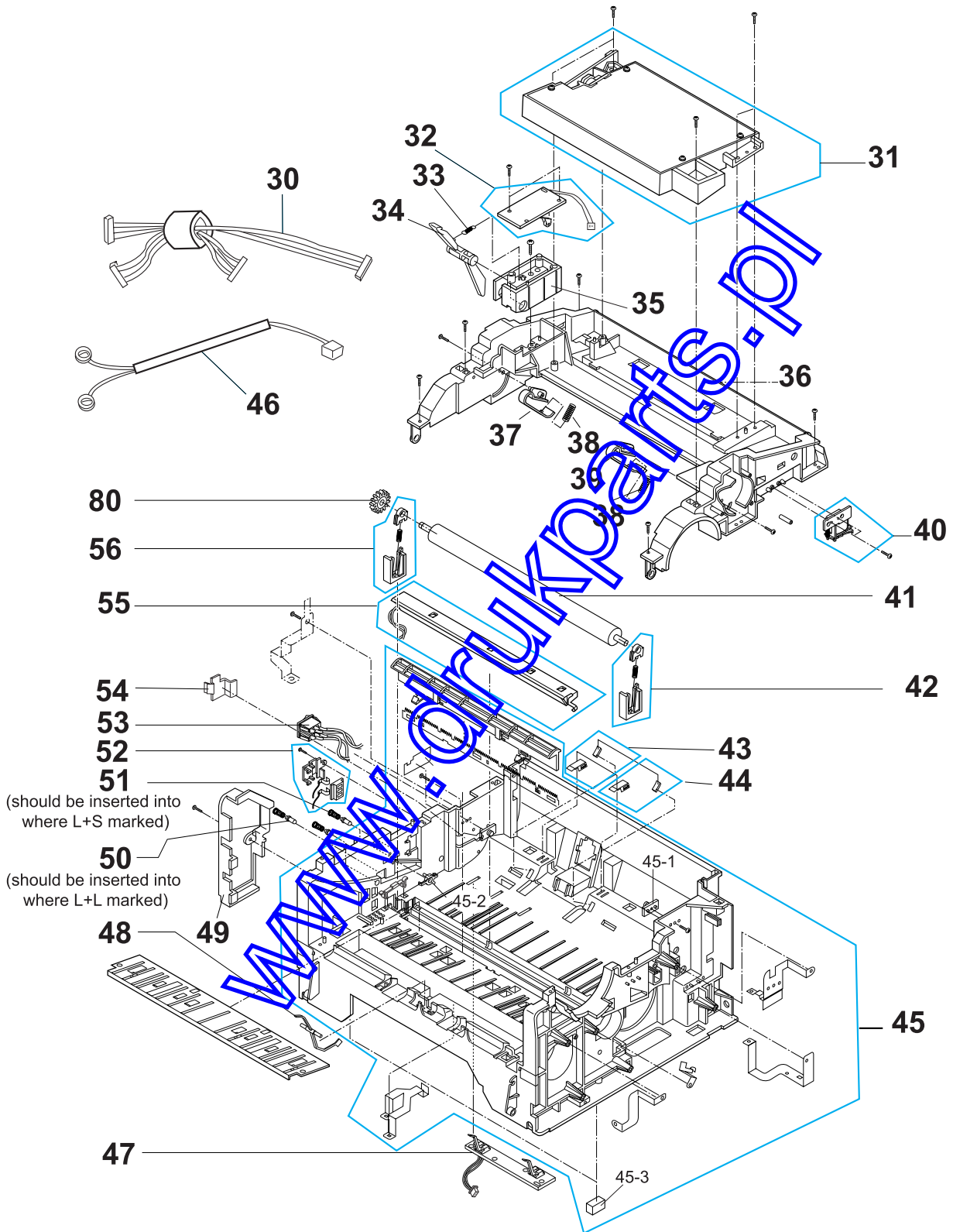




## 5-8 Fuser Parts List

NO	DESCRIPTION	SEC. CODE	Q'TY	REMARK
57	ELA-UNIT FUSER	JC96-00971F	1	220V
		JC96-00971H	1	110V
57-1	BEARING-EXIT	JC75-10968A	1	
57-2	UNIT EXIT F/DOWN	JC66-10200A	2	
57-3	GEAR-EXIT(18)	JC66-40956A	1	
57-4	THERMOSTAT	4712-000001	1	
57-5	GEAR-IDLE2(Z19)	JC66-40945A	1	
57-6	GEAR-IDLE3(Z14)	JC66-40946A	2	
57-7	GROUND-PLATE,FU	JC70-11003A	1	
57-8	LAMP-HALOGEN	4713-001080	1	220V
		4713-001081	1	110V
57-9	GEAR-FUSER	JC66-40979A	1	
57-10	BEARING-H/R,L	JC66-10200A	1	
57-11	HEAT-ROLLER	JC71-20903A	1	
57-12	ROLLER-EXIT,F/UP	JC72-20901A	2	
57-13	BEARING-H/R,R	JC66-10207A	1	
57-14	ROLLER-F/UP(2)	JC72-20902A	2	
57-15	SHAFT-IDLE, F/UP	JC70-20901A	1	
57-16	GUIDE-CLAW	JC72-41128A	4	
57-17	THERMISTOR	1404-001128	1	
57-18	SPRING-EXIT,F/UP	JC61-70936A	2	
57-19	SPRING-ES	JC61-70962A	4	
57-20	SPRING-EXIT,F/DOWN	JC61-70937A	4	
57-21	SPRING-IDLE FU	JC70-11066A	1	
58	REDRIVE	JC97-01223A	4	
59	MEA ETC-HOLDER F/R	JC97-01204A	2	
60	ROLLER-PRESSURE	JC75-10981A	1	
61	MEA ETC-ROLLER EXIT	JC97-01126A	1	

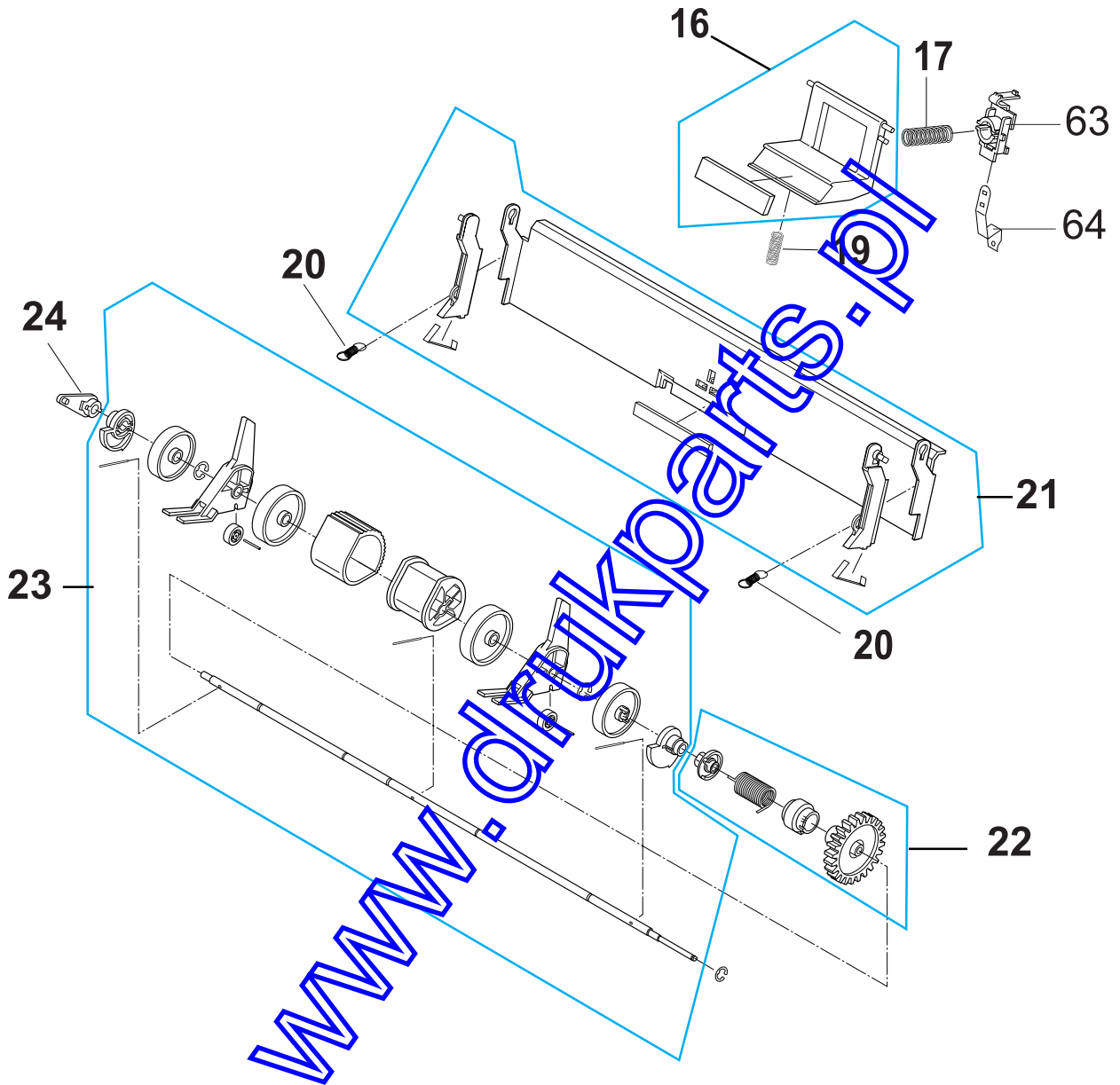
## 5-9 Frame Exploded View



## 5-10 Frame Parts List

NO	DESCRIPTION	SEC. CODE	Q'TY	REMARK
30	PRINTHEAD TO HVPS	JC39-40566A	1	
31	UNIT-LSU	JC59-10505A	1	
32	COVER OPEN SENSOR	JC92-01081A	1	
33	SPRING-C/O	JC61-70931A	1	
34	ACTUATOR-C/O	JC72-41134A	1	
35	COVER-C/O	JC72-41139A	1	
36	FRAME BASE UPPER	JC72-41141A	1	
37	CAP PLATE,G/DEVE L	JC72-41173A	1	
38	SPRING-G/DEVE	JC61-70932A	2	
39	CAP PLATE,G/DEVE R	JC72-41135A	1	
40	SOLENOID	JC33-10004A	1	
41	ROLLER-TRANSFER	JC75-10935A	1	
42	MEA UNIT-HOLDER TR R	JC97-01112A	1	
43	MEA-UNIT SEPARATE(L)	JC97-01113A	1	
44	MEA-UNIT SEPARATE(R)	JC97-01114A	1	
45	MEA-UNIT FRAME LOWER	JC97-01123A	1	
45-1	HOLDER SPRING	JC72-41156A	2	
45-2	GUIDE BOSS DEVE	JC72-41243A	1	
45-3	RUBBER FOOT	JC73-10926A	2	
46	CBF-HARNESS,3P,BLK	JC39-40550A	1	
	CBF-HARNESS,3PWHT	JC39-40581A	1	
47	ASSY-FEED SENSOR	JC92-01017A	1	
48	ACTUATOR-EXIT	JC72-41130A	1	
49	COVER WIRE FU	JC72-41138A	1	
50	MEA UNIT-TERMINAL TR	JC97-01113A	1	
51	MEA UNIT-TERMINAL L	JC97-01114A	3	
52	ELA UNIT FUSE DEVE	JC96-01117A	1	
53	POWER SWITCH	JC39-40585A	1	
54	PICK ROLLER ACCESS	JC72-41244A	1	
55	ELA UNIT-PTL	JC96-01190A	1	
56	MEA UNIT-HOLDER TR L	JC97-01160A	2	

### 5-11 Feeder (1/2) Exploded View



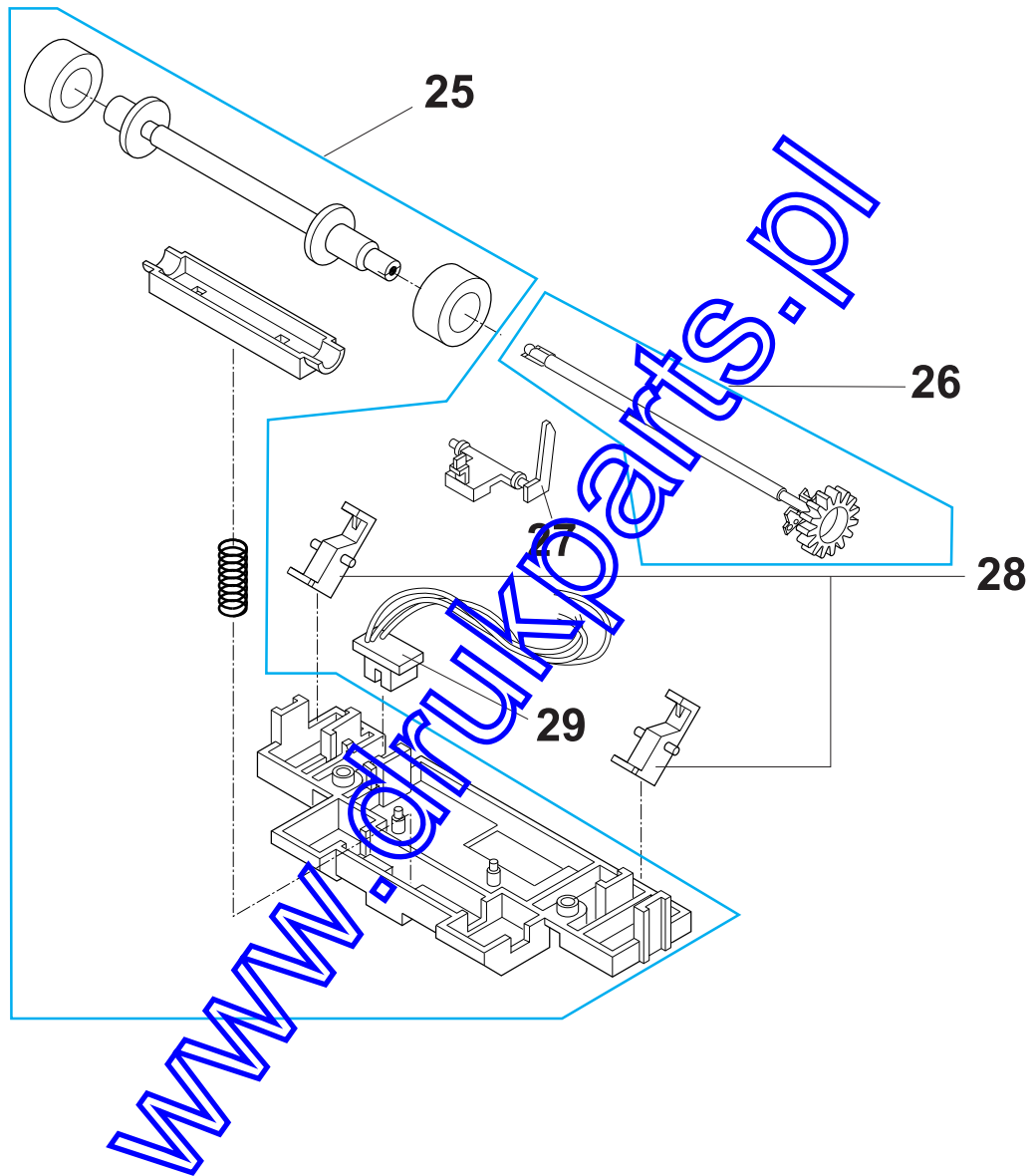
## 5-12 Feeder (1/2) Parts List

NO	DESCRIPTION	SEC. CODE	Q'TY	REMARK
16	MEA UNIT-SEPARATE	JC97-01132A	1	
17	SPRING-KNOCK UP	JC61-70934A	1	
18	HOLDER K/SPRING ASS'Y	JC97-01169A	1	
19	SPRING-SEPARATE	JC61-70935A	1	
20	SPRING-EXTENSION	JC61-70950A	2	
21	MEA UNIT-KNOCK UP	JC97-01127A	1	
22	MEA UNIT-CLUTCH	JC97-01129A	1	
23	MEA UNIT-PICK UP	JC97-01130A	1	
24	BUSHING SHAFT LOCK	JG72-40849A	1	
63	HOLDER SPRING K-UP	JC72-41153A	1	
64	GROUND K-UP	JC70-11016A	1	

[www.druckparts.pl](http://www.druckparts.pl)

### 5-13 Feeder (2/2) Exploded View

---



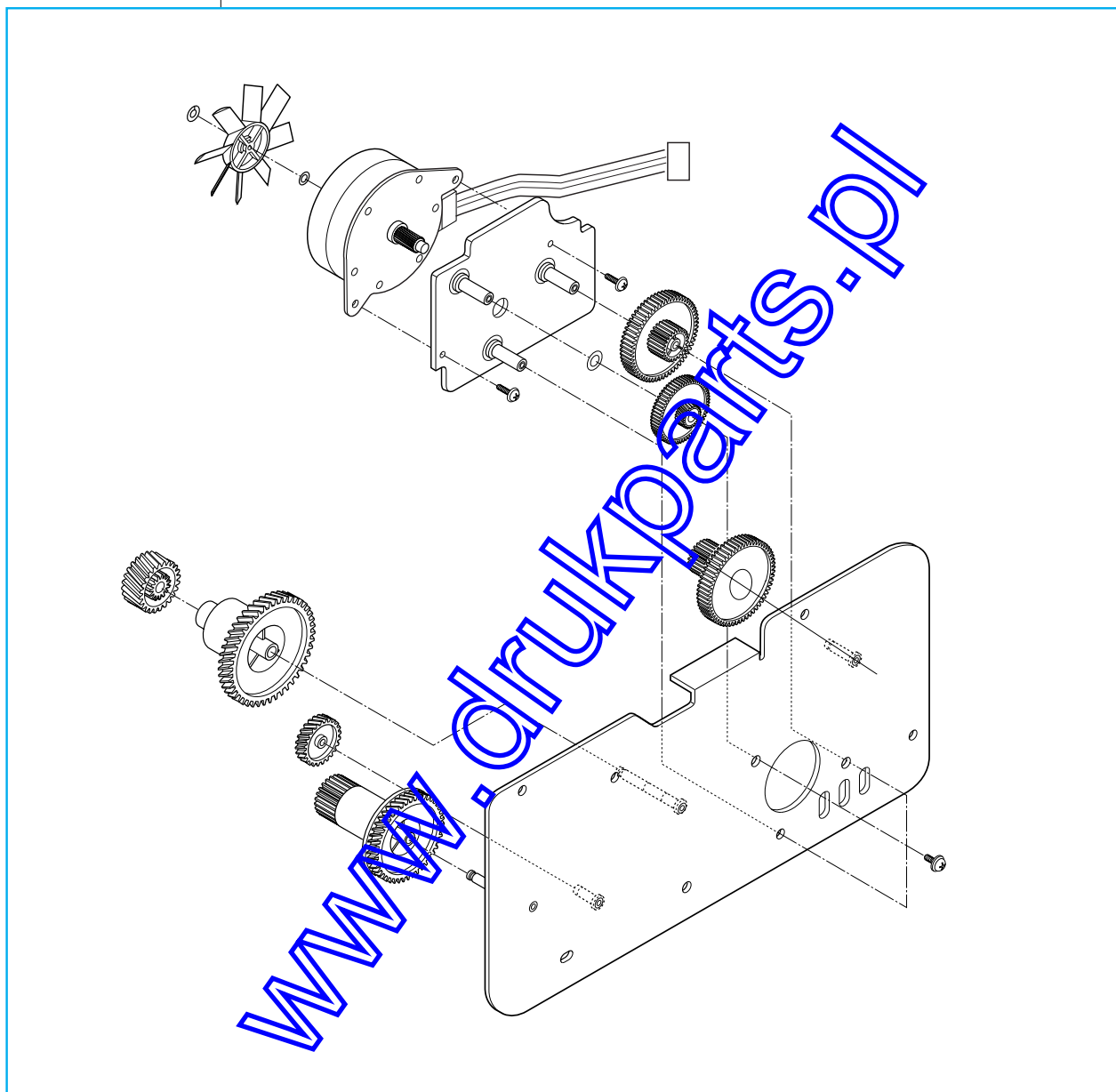
**5-14 Feeder (2/2) Parts List**

NO	DESCRIPTION	SEC. CODE	Q'TY	REMARK
25	MEA UNIT-FRAME SUP	JC97-01128A	1	
26	MEA-UNIT GEAR FEED	JC97-01131A	1	
27	ACTUATOR EMPTY	JC72-41151A	1	
28	SEPARATE PAPER	JC72-41155A	2	
29	ASSY-P.EMPTY	JC92-01044A	1	

[www.drukparts.pl](http://www.drukparts.pl)

### 5-15 Motor Exploded View

62





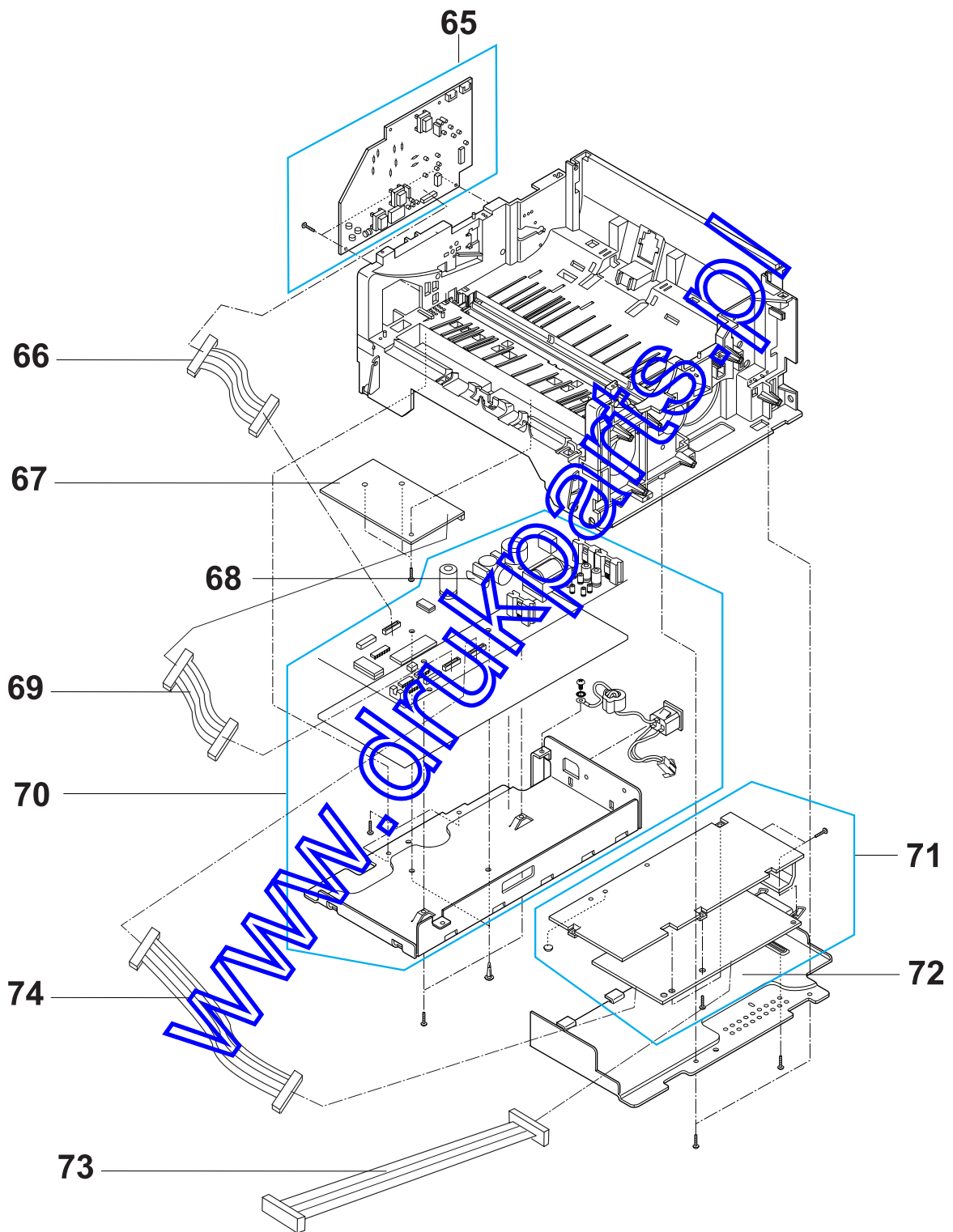
**5-16 Motor Parts List**

---

NO	DESCRIPTION	SEC. CODE	Q'TY	REMARK
62	ELA-UNIT MOTOR	JC96-01200A	1	

[www.drukparts.pl](http://www.drukparts.pl)

### 5-17 PCB Exploded View



## 5-18 PCB Parts List

NO	DESCRIPTION	SEC. CODE	Q'TY	REMARK
65	PBA SUB-HVPS	JC92-01002A	1	
66	ENGINE TO HVPS	JC39-40558A	1	
67	JOINT-B/D	JC92-01001A	1	
68	FUSE(V2) 250VAC T5A	3601-000002	1	220V
		3601-000157	1	110V
69	ENGINE TO JOINT	JC39-40564A	1	
70	PBA MAIN-ENGINE	JC96-00974A	1	220V
		JC96-00973A	1	110V
71	CONTROLLER	JC92-01122A	1	
72	SIMM ACCESS	JC70-11015A	1	
73	OPERATOR PANEL	JC39-40579A	1	
74	ENGINE TO CONTROLLER	JC39-40578A	1	

[www.druckparts.pl](http://www.druckparts.pl)