

FRU List

This topic provides a list of field replaceable units for the printer.

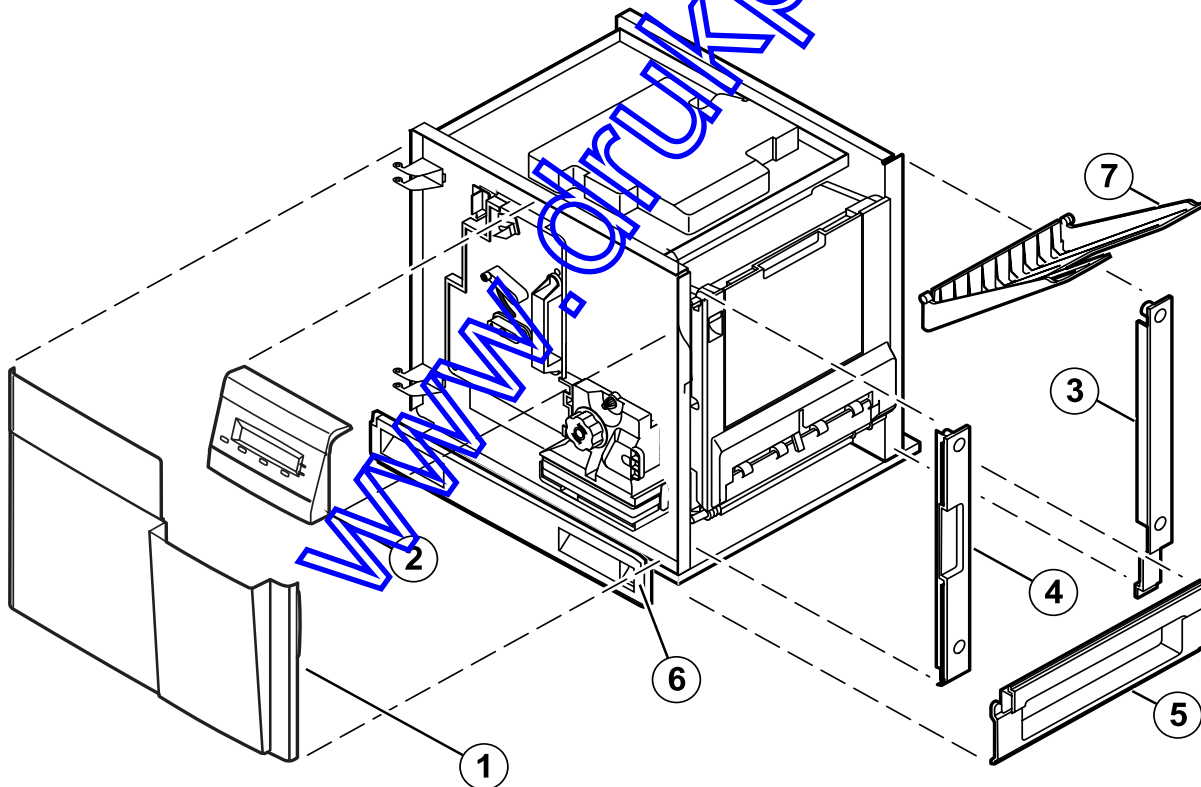
Changes to Tektronix instruments are made to accommodate improved components as they become available. It is important when ordering parts to include the following information:

- Component's part number.
- Instrument type or number.
- Instrument serial number.
- Modification number, if any.

www.drukparts.pl

Table 1 FRU parts list of the printer cabinet

Fig 1 parts	Part number	Serial number		Qty	Name and description
		Effective	Discont'd		
1	118-9893-00			1	Front door with hinges
2	118-9892-00			1	Upper front cover (operation panel) w/display board
3	118-9537-00			1	Right side cover rear
4	118-9208-00			1	Right side cover front
5	118-9894-00			1	Right side cover lower
6	118-9541-00			1	Bottom front cover
7	116-0024-00			1	Output tray (standard)
	118-9996-00				Lower feeder front cover
	118-9622-00				Lower feeder left cover
	118-9604-00				Lower feeder right cover
	118-9606-00				Lower feeder rear cover

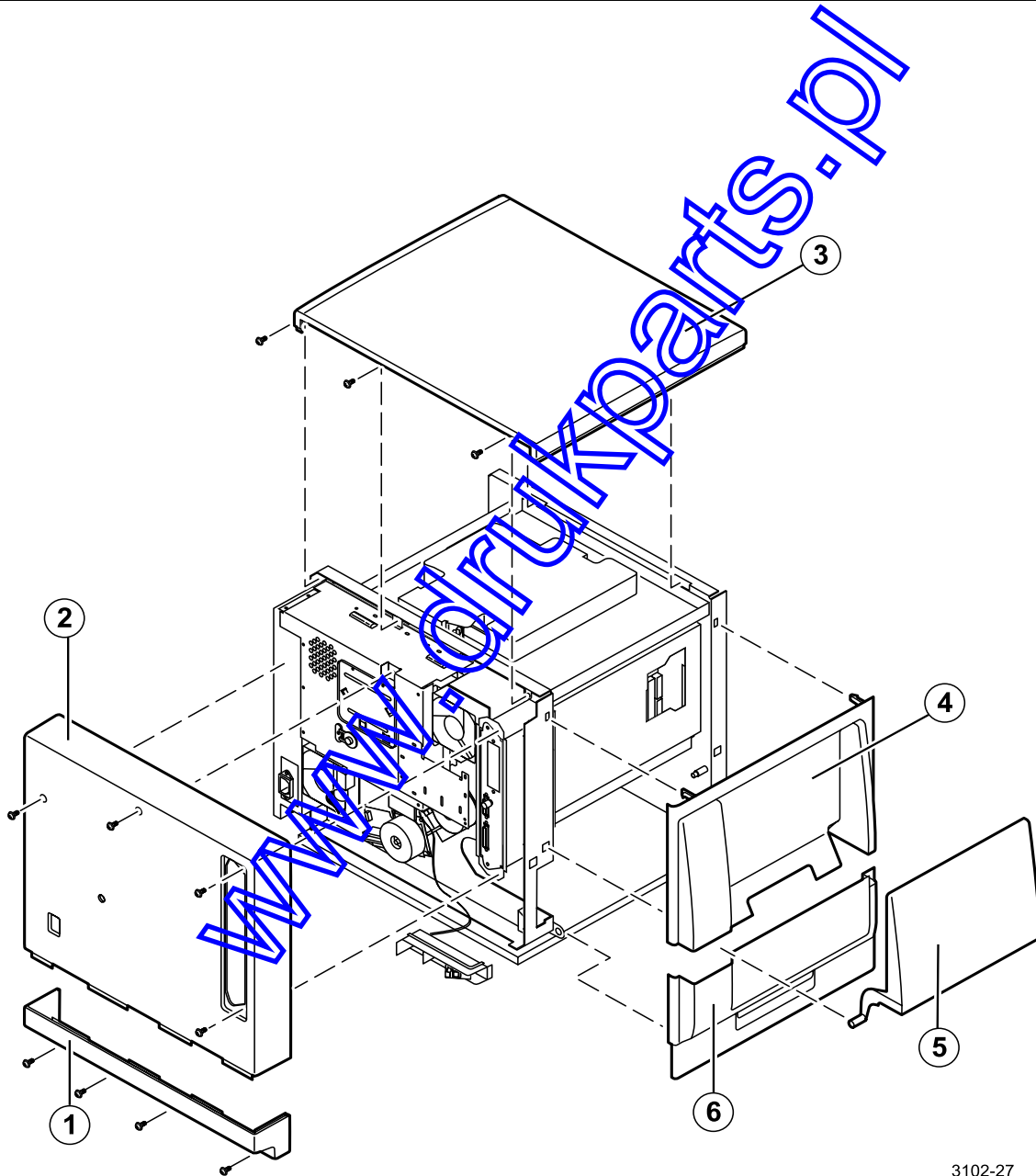


3102-26

Figure 1 Cabinet FRUs

Table 2 FRU part list of the printer cabinet

Fig 2 parts	Part number	Serial number		Qty	Name and description
		Effective	Discont'd		
1	118-9891-00			1	Lower rear cover
2	118-9889-00 118-9890-00			1	Upper rear cover (110 VAC) Upper rear cover (220 VAC)
3	118-9888-00			1	Top cover with logos
4	118-9979-00			1	Left side cover
5	118-9522-00			1	Multi-purpose feed tray assy
6	118-9543-00			1	Left side door assy



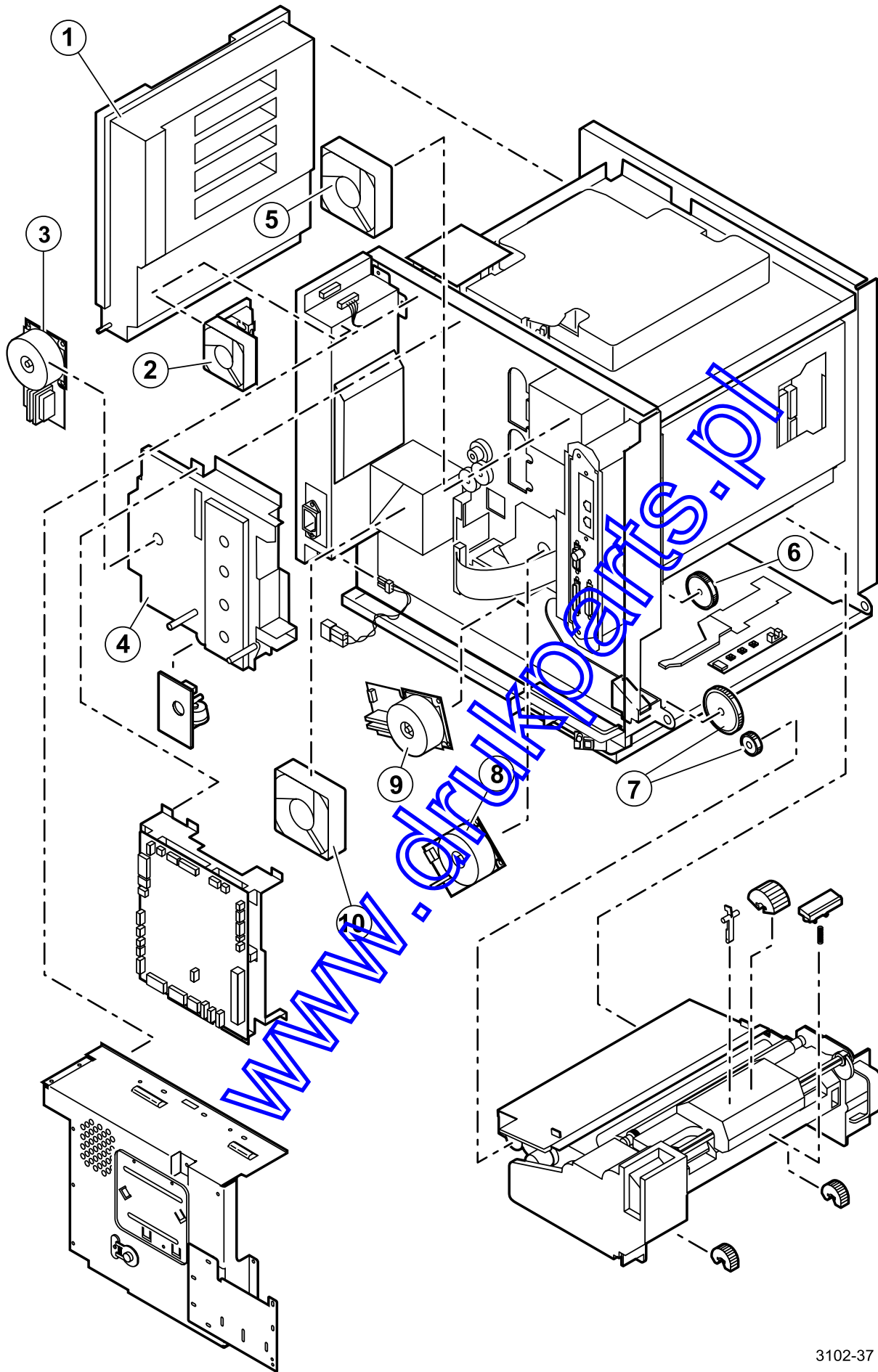
3102-27

Figure 2 Cabinet FRUs

Table 3 Motors, drive units and fans

Fig 3 parts	Part number	Serial number		Qty	Name and description
		Effective	Discont'd		
1	118-9897-00			1	Toner cartridge selector/paper-eject unit
2	118-9551-00			1	Fan, power supply
3	118-9905-00			1	Toner cartridge drive motor
4	118-9514-00			1	Toner cartridge drive unit
5	118-9524-00			1	Fan, ozone filter
6	118-9553-00			1	Gear kit, Main motor drive Motor compound gear Intermediate compound gear
7	118-9562-00			1	Gear kit, Paper feeder joint and chassis White joint gear Black compound gear
8	118-9900-00			1	Main motor
9	118-9899-00			1	Paper feed motor
10	118-9524-00			1	Fan, fuser/toner cartridge

www.drukparts.nl



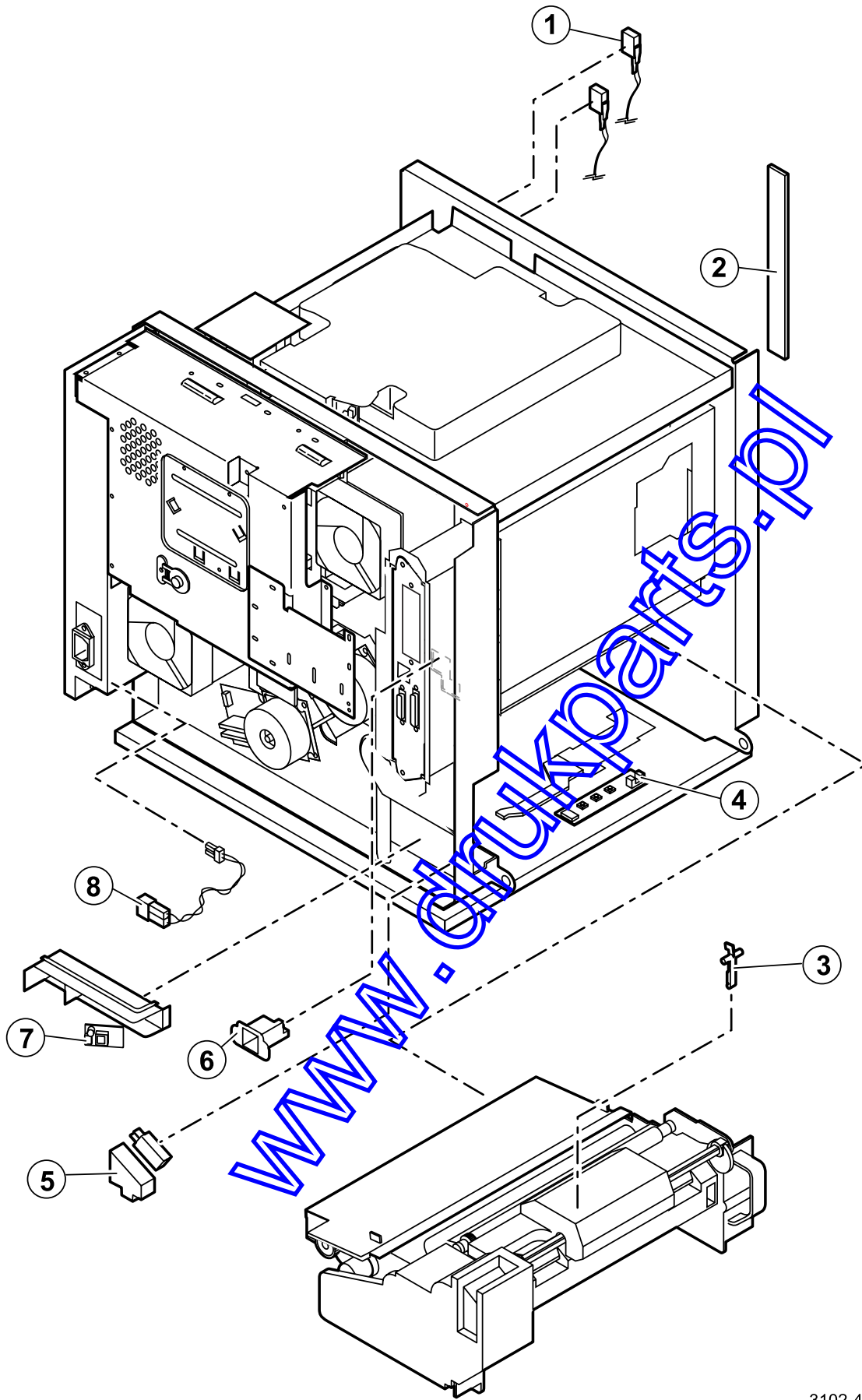
3102-37

Figure 3 Motor and fan FRUs

Table 4 Sensors, switches and flags

Fig 4 parts	Part number	Serial number		Qty	Name and description
		Effective	Discont'd		
1	118-9552-00			1	Switch, front/right door open sensor
2	118-9547-00			1	Toner level sensor board
3	118-9558-00				Paper feed flag kit Paper tray empty Multi-purpose tray entrance flag Jam at A flag Output tray full flag
4	118-9913-00			1	Tray sensor board
5	118-9550-00			1	Left-side door open switch
6	118-9519-00			1	Accumulator belt home-position sensor assembly
7	118-9918-00			1	Humidity/temperature sensor
8	118-9909-00 118-9910-00			1	Switch, main power (110 V) Switch, main power (220V)

www.druckparts.de

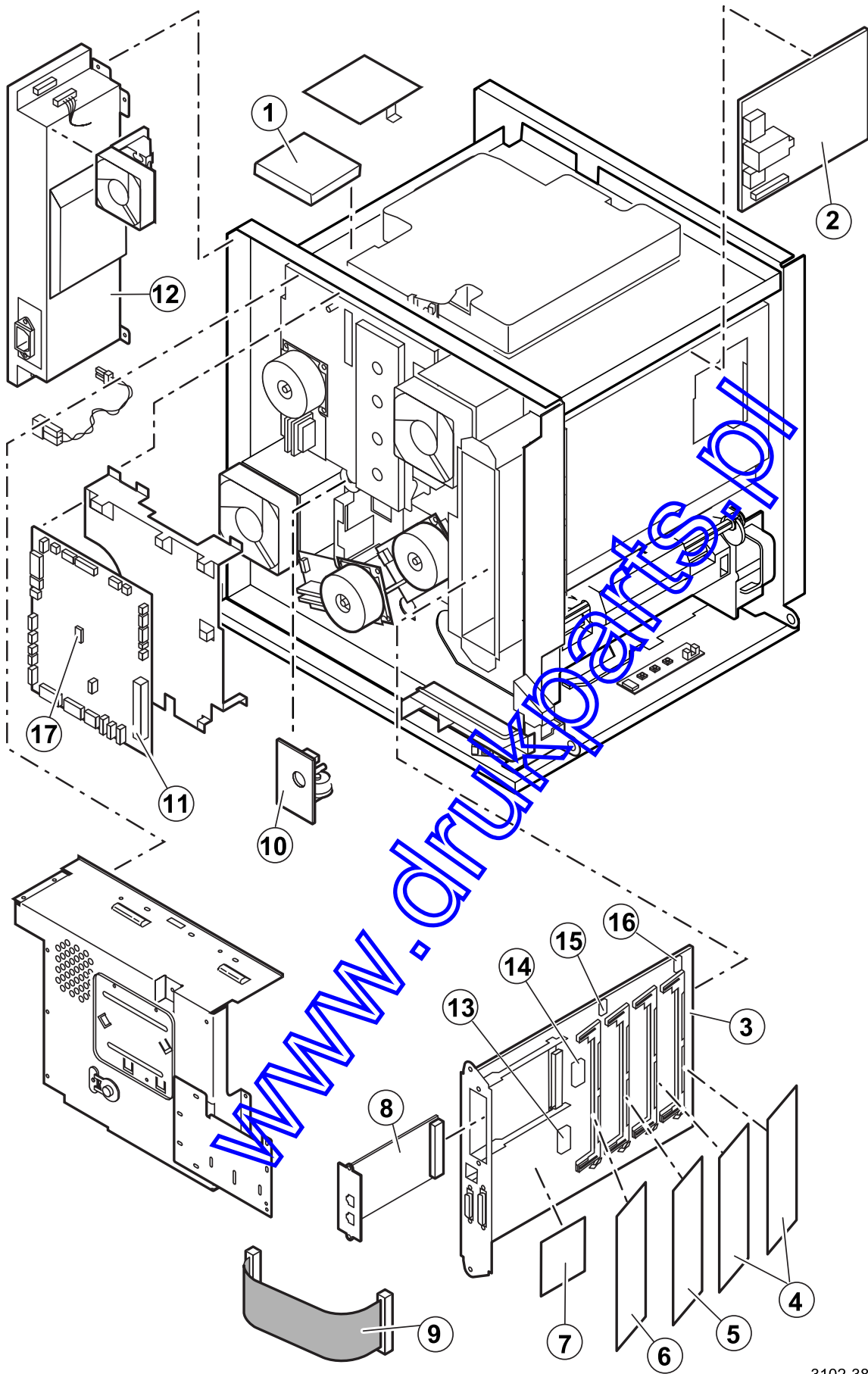


3102-40

Figure 4 Sensor, switch and flag FRUs

Table 5 Circuit board and electronics

Fig 5 parts	Part number	Serial number		Qty	Name and description
		Effective	Discont'd		
1	118-9978-00			1	Laser driver board
2	118-9898-00			1	High-voltage board
3	671-4380-80			1	Image processing board
4	156-4758-10			1	16-Mbyte RAM DIMM
	156-4800-10			1	32-Mbyte RAM DIMM
	156-4811-10			1	64-Mbyte RAM DIMM
	156-4780-10			1	128-Mbyte RAM DIMM
5a	671-4519-00			1	Kanji Font DIMM
5b	671-4527-00			1	Korean Font DIMM
5c	671-4230-00			1	Simplified Chinese Font DIMM
5d	671-4231-00			1	Traditional Chinese Font DIMM
6a	671-4669-52			1	Code ROM DIMM, Z740L,
6b	671-4671-52			1	Code ROM DIMM, Base, Plus
6c	671-4670-52			1	Code ROM DIMM, Extended
7	671-4306-50				SOSI riser board
8a	671-3994-00			1	100Base-T Ethernet network card
8b	671-4034-00			1	LocalTalk network card
8c	671-3932-00			1	token Ring network card
8d	386-7104-00			1	Flare cover plate (no card)
	213-1090-00			2	Blank cover plate thumbscrews
8e	650-3887-00			1	Internal IDE hard drive
9	118-9559-00			1	Interconnect cable, IP to engine board
10	118-9527-00				Cleaning board
11	118-9903-00			1	Engine control board (without NVRAM chip)
12	119-5924-00			1	Power supply (100 - 120 VAC)
	119-5925-00			1	Power supply (220 VAC)
13	650-3886-01			1	Dallas Real Time Clock/NVRAM Module
14	Do not order			1	CPU fan - Do not order fan. Order Image processor board 671-4380-80 with CPU heatsink
15	156-4768-00			1	NVRAM EEPROM
16	163-1147-01			1	BootROM/Printer ID
17	116-0072-00				Print engine NVRAM (EEPROM)
	118-9919-00			1	Lower tray circuit board



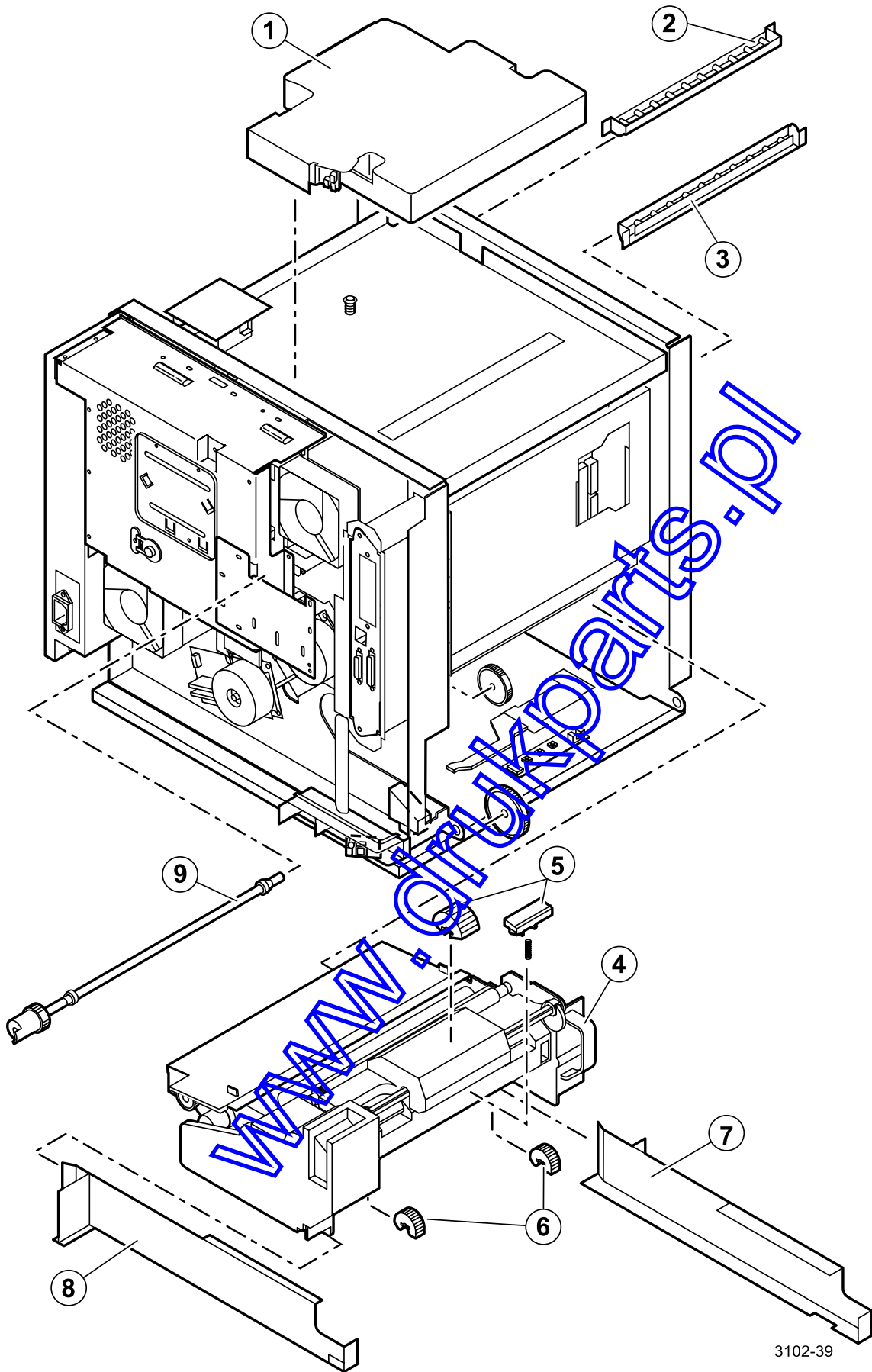
3102-38

Figure 5 Circuit board and electronic FRUs

Table 6 Imaging and paper feed components

Fig 6 parts	Part number	Serial number		Qty	Name and description
		Effective	Discont'd		
1	118-9901-00			1	Laser scanner unit
2	118-9546-00			1	Pre-transfer lamp
3	118-9549-00			1	Pre-exposure erase lamp
4	118-9895-00			1	Paper feeder
5	118-9896-00			1	Multi-purpose tray kit pick roller pad spring pick pad
6	118-9563-00			2	D-roller, paper feed
7	118-9912-00			1	Guide, paper tray, front
8	118-9911-00			1	Guide, paper tray, rear
9	118-9600-00			1	Accumulator cleaning blade clutch assy
	118-9916-00			1	Auto-duplex tray connector
	119-5890-00			1	Auto-duplex unit (service only)
	119-5889-00			1	Lower Tray Assembly (no trays supplied)
	119-6003-01			1	ZDISK External Hard Drive

www.druckers.de



3102-39

Figure 6 Imaging and paper feed component FRUs

Table 7 Kits and other hardware

Fig 1 parts	Part number	Serial number Effective	Discont'd	Qty	Name and description
	118-9560-00			1	Spring, toner cartridge, front and rear 2 rear springs (thick-CMYK) 1 front spring (thin-black only) 2 front springs (thin-CMY)
	118-9520-00			1	Hardware kit Screws E-rings C-rings Front and rear guide springs Laser Scanner shaft and spring (under laser scanner)

Supplies and accessories

Supplies and accessories

	Part number	Serial number Effective	Discont'd	Qty	Name and description
Supply	016-1684-00			1	Black toner standard cartridge
Supply	016-1685-00			1	Cyan toner standard cartridge
Supply	016-1686-00			1	Magenta toner standard cartridge
Supply	016-1687-00			1	Yellow toner standard cartridge
Supply	016-1656-00			1	Black toner extended cartridge
Supply	016-1657-00			1	Cyan toner extended cartridge
Supply	016-1658-00			1	Magenta toner extended cartridge
Supply	016-1659-00			1	Yellow toner extended cartridge
Supply	016-1663-00			1	Fuser Roll
Supply	016-1662-00			1	Color imaging unit
Supply	016-1660-00			1	Fuser (110 VAC)
Supply	016-1661-00			1	Fuser (220 VAC)
Supply	016-1664-00			1	Transfer roller kit
Supply	016-1665-00			1	Main charge grid
Supply	436-0282-01			1	Paper tray, Letter-size
Supply	436-0283-01			1	Paper tray, A4-size
Supply	436-0314-01			1	Paper tray, Legal-size

Supplies and accessories

	Part number	Serial number Effective	Discont'd	Qty	Name and description
Supply	436-0284-01			1	Transparency tray, Letter-size
Supply	436-0285-01			1	Transparency tray, A4-size
Supply	016-1654-00			1	Transparency, Letter-size, 50 sheets
Supply	016-1655-00			1	Transparency, Metric-size, 50 sheets
Supply	016-1368-00			1	Paper, A-size, 500 sheets
Supply	016-1369-00			1	Paper, A4-size, 500 sheets
Supply	016-1704-00			1	Coated Paper, A-size, 100 sheets
Supply	016-1705-00			1	Coated Paper, A4-size, 100 sheets
Supply	016-1637-00			1	T-shirt transfer material, A-size, 100 sheets
	063-3100-00				Phaser 740 User Guide (English)
	063-3100-10				Phaser 740 User Guide (French)
	063-3100-20				Phaser 740 User Guide (Italian)
	063-3100-30				Phaser 740 User Guide (German)
	063-3100-40				Phaser 740 User Guide (Spanish)
	063-3100-05				Phaser 740 User Guide (Russian)
	063-3101-00				Phaser 740 Setup Guide (English)
	063-3101-10				Phaser 740 Setup Guide (French)
	063-3101-20				Phaser 740 Setup Guide (Italian)
	063-3101-30				Phaser 740 Setup Guide (German)
	063-3101-40				Phaser 740 Setup Guide (Spanish)
	063-3101-05				Phaser 740 Setup Guide (Russian)
	071-0236-00				Advanced Features and Troubleshooting (English)
	063-3116-00				PhaserShare Setup Guide (English)
	063-3116-10				PhaserShare Setup Guide (French)

Supplies and accessories

Part number	Serial number		Qty	Name and description
	Effective	Discont'd		
063-3116-20				PhaserShare Setup Guide (Italian)
063-3116-30				PhaserShare Setup Guide (German)
063-3116-40				PhaserShare Setup Guide (Spanish)
063-3102-00				Phaser 740 Service Quick Reference Guide
063-3079-00				CD-ROM, English
063-3079-10				CD-ROM, French
063-3079-20				CD-ROM, Italian
063-3079-30				CD-ROM, German
063-3079-40				CD-ROM, Spanish
063-3079-70				CD-ROM, Simplified Chinese
063-3079-80				CD-ROM, Traditional Chinese
063-3079-90				CD-ROM, Korean
063-3132-00				Adobe Type Manager
063-3078-00				Drivers and Utilities, English
063-3078-70				Drivers and Utilities, Simplified Chinese
063-3078-80				Drivers and Utilities, Traditional Chinese
063-3078-90				Drivers and Utilities, Korean
012-1379-00				Cable Serial, 9-pin to 9-pin
012-1299-00				Cable, interconnect., 2.5 m 50-pins. to 25-pins
012-1468-00				Cable, Parallel w/IEEE 1284C (mini)
012-1465-00				Cable, SCSI II to 50-pin SCSI
012-1380-00				Cable, Serial, 9-pin to 25-pin
013-0299-00				Parallel cable adapter (standard to mini)
003-1496-00			1	Toner Vacuum (115 VAC)
003-1497-00			1	Toner Vacuum (220 VAC)
003-1498-00				Filter for 3M Toner Vacuums
003-1623-00				Spring removal tool

Supplies and accessories

Part number	Serial number		Qty	Name and description
	Effective	Discont'd		
003-0619-00			1	DIP IC removal tool
003-1633-00				PLCC IC removal tool
013-0297-00			1	SCSI cable adapter, 50-pin to SCSI II
103-0030-00			1	Adapter, T-Connector, BNC
011-0123-00			1	Coaxial Term. 50 ohms, BNC
161-0066-00			1	Power cord, domestic
016-1710-00			1	Cleaning kit
161-0066-09			1	Power cord, 250V/ Euro
161-0066-10			1	Power cord, U.K.
161-0066-11			1	Power cord, Australian
161-0154-00			1	Power cord, Swiss
161-0240-00			1	Power cord, Danish
006-7998-00			1	Conductive grease, silicon
006-7971-00			1	Imaging unit light shield/drape
065-0576-00				Shipping box, replacement kit pallet, shipping carton, cushions, rebanding kit
650-3572-00				Carton bands (Rebanding kit)
004-4844-00			1	Shipping carton
039-0029-00			1	Copy unit, A-size

www.druckarts.nl