

A

Field Replaceable Units List

This appendix provides a list of field replaceable units for the Phaser 600 Color Printer.

Changes to Tektronix products are made to accommodate improved components as they become available. It is important when ordering parts to include the following information:

- Component's part number
- Product type or model number
- Serial number of the printer

Serial numbering. Particular fields in the serial number indicate the modification level of the printer, the date of its manufacture and the sequence number of the printer produced on that day. The serial number is coded as follows:

BYRxxxx

B indicates the headquarter city of the manufacturing company, Beaverton.

Y numerically indicates the last digit of the year of manufacture, ranging from 0 to 9

R indicates the revision level of the printer, ranging alpha-numerically from 01 to Z (the letters I and O are not used).

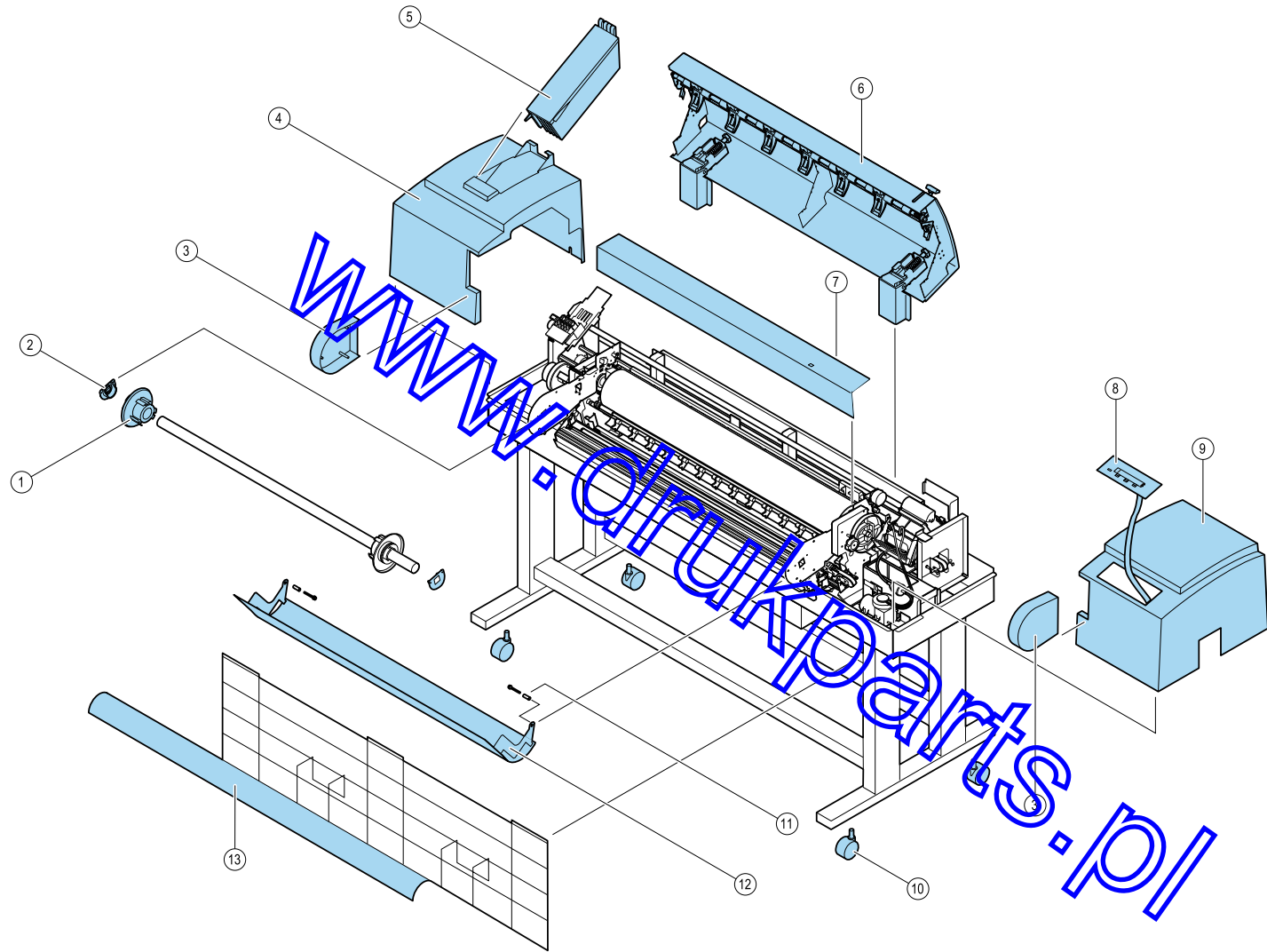
xxxx alpha numerically indicates the sequence of the printer among the printers produced, ranging from 0100 to 9999.

A *Field Replaceable Units List*

Table A-1 FRU exterior parts list

Figure A-1 parts	Part number	Serial number Effective	Discontinued	Quantity	Name and description
1	118-9493-00			1	Adjustable Roll Holder End Piece
2	118-9401-00			1	Media Roll Support Holder (Left & Right)
3	118-9396-00			1	Cabinet: Roll End Cover (Left or Right)
4	118-9400-00			1	Cabinet: Left Side Cover
5	118-9307-00			1	Ink Loader (Ink Stick Cassette)
6	118-9398-00			1	Cabinet: Top Cover Assy. (including Hinge)
7	118-9317-00				Cabinet: Paper Guide/Cover
8	650-3257-00			1	Front Panel LCD Board and Bezel
8a	671-3638-00				Front Panel LCD Board
9	118-9399-00			1	Cabinet: Right Side Cover
10	118-9395-00			2	Casters Kit
11	118-9318-00				Roll Cover Spacer Pin Kit
12	118-9322-00			1	Cabinet: Roll Cover
13	118-9316-00			1	Output Bin

www.drukparts.nl



9482-83

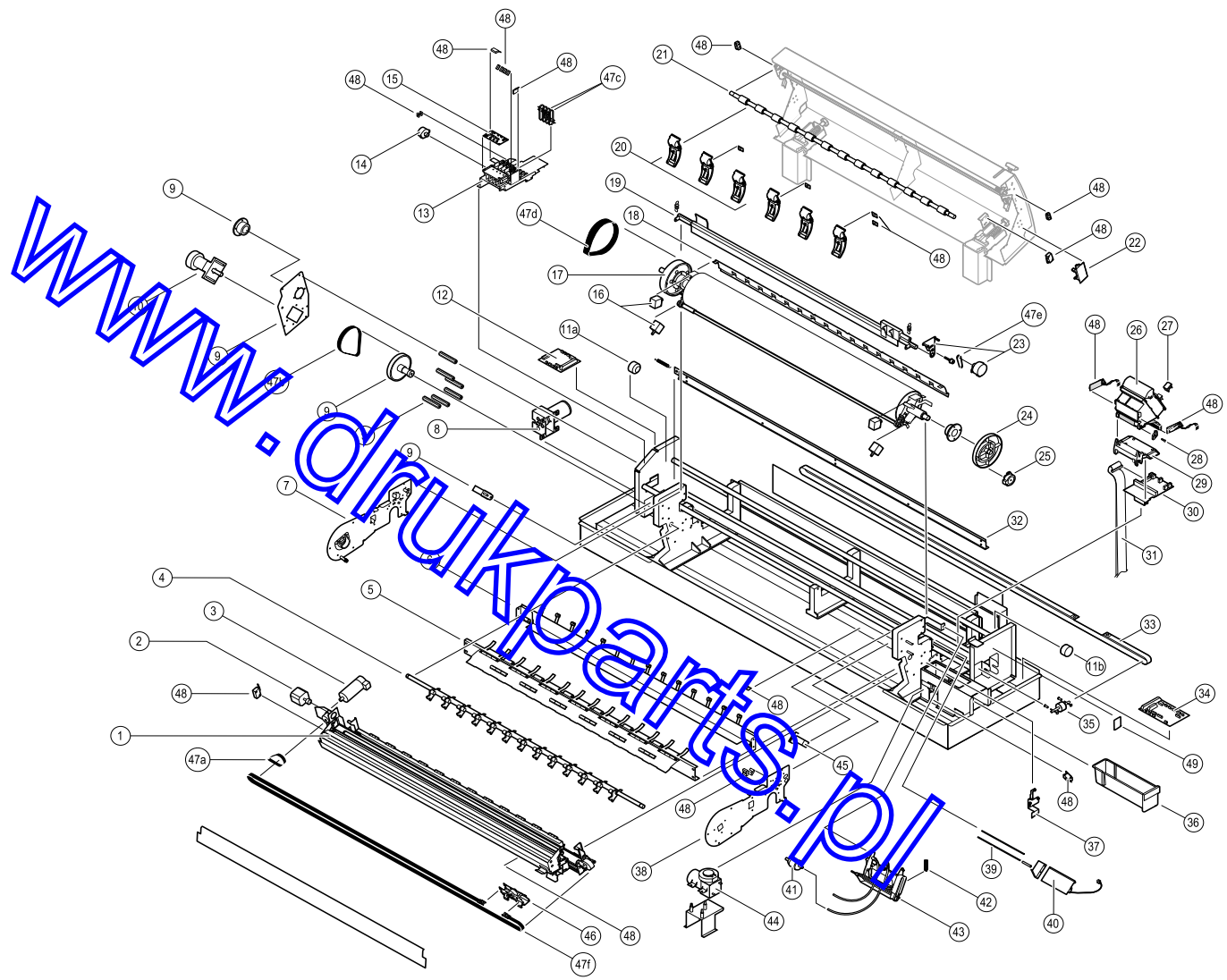
Figure A-1 The printer exterior FRUs

Table A-2 FRU interior parts list

Figure A-2 parts	Part number	Serial number Effective	Discontinued	Quantity	Name and description
1	118-9321-00			1	Fuser Upper & Lower Assy.
2	118-9323-00				Paper Exit Motor Assy. (w/Pulley)
3	118-9297-00			1	Fuser Motor Assy. (w/Pulley)
4	118-9325-00			1	Stripper Finger Assy.
5	118-9494-00			1	Lower Roller/Guide Assembly
6	118-9326-00			1	Clamp (Bail) Roller Assy.
7	118-9319-00			1	Left Paper Holder Assy.
8	118-9296-00			1	X-Axis Motor Assy. (w/Pulley)
9				1	Y-Axis Drive Gear Assembly
10	118-9295-00			1	Y-Axis Motor Assy. (w/Pulley)
11a	118-9303-00			1	Print Head Stop (Left)
11b	118-9499-00			1	Print Head Stop (Right)
12	118-9289-00			1	Left Junction Board Assy.
13	118-9300-00			1	Ink Loader Motor Assembly
14	118-9496-00			1	Printhead Door Motor
15	118-9497-00			1	Ink Loader Circuit Board
16	118-9313-00			2	Drum Solenoid Kit (two solenoids)
17	118-9312-00			1	Drum Assy.
18	118-9315-00			1	Paper Clamp
19	118-9314-00			1	Media Back Tension Blade
20	118-9424-00			1	Upper Media Guide Kit (3)
21	118-9397-00			1	Upper Roller Assy.
22	118-9498-00			1	Top Cover Junction Board
23	118-9299-00			1	Head to Media Assy. & Stepper Motor
24	118-9495-00			1	Head Maintenance Cam Gear
25	118-9298-00			1	Head Maintenance Cam Motor
26	650-3414-00			1	Printhead Assy.
27a	650-3416-00			1	Head-to-Media Assembly
27b	650-3557-00			1	Bearing and Oil Pads Kit
28a	211-0821-00			1	Printhead Hold-Down Screws
28b				1	Printhead Hold-down Brackets
29	118-9304-00			1	Head Mounting Bracket/Carriage Casting
30	650-3596-00			1	Head Carriage Bd.
31	118-9287-00			1	Printhead Umbilical Cable
32	118-9310-00			1	Timing Fence (Dot Clock) & Spring
33	118-9306-00			1	X-Axis Steel Belt Assy

Table A-2 FRU interior parts list

Figure A-2 parts	Part number	Serial number Effective	Discontinued	Quantity	Name and description
34	118-9288-00			1	Right Junction Board Assy.
35	118-9305-00			1	X-Axis Return Pulley
36	118-9308-00			1	Waste Bin (Drawer)
37	118-9309-00			1	Waste Bin Lock
38	118-9320-00			1	Right Paper Holder Assy.
39	384-1765-00			1	Drip Plate Rods
40	650-2652-03			1	Drip Plate Assy.
41	378-0387-00			1	Air Filter
42	650-2391-01			1	Head Wiper PM Kit (Pkg. of 5)
43	650-3097-01			1	Purge System Assy. (Maintenance Station)
44	650-2263-00			1	Air Pump Assy
45	118-9327-00			1	Clamp Stop
46	118-9324-00			1	Fuser Carriage Shuttle
47a	118-9301-00				Belt Kit
47b					Fuser drive belt
47c					Y-Motor (Idler) Belt
47d					Y-Drum Belt
47e					Ink Loader Belts (2)
47f					Head-to-Media Stepper Motor Belt
47f					Fuser Shuttle Belt
48	118-9293-00				Optical Sensor/ Interlock Switch Kit
					Fuser open switch
					INK Drop Sensor
					Ink Low Sensor
					Ink Origin Sensor
					Ink Loader Cover Closed Sensor
					Ink Loader Installed Sensor
					Top Cover Open Sensor
					Top Cover Latched Sensor
					Skew Sensors
					Paper Input Sensor
					Roll Media Sensor
					Printhead Left/right Edge Sensor
					Waste Bin Sensor
					Exit Sensor
					Clamp Home Sensor
					Clamp Ready Sensor
	118-9422-00				Hardware Kit (4 Per Type Screws, 4 Per Type Standoffs, etc.)
49	118-9501-00			1	Heater Interconnect Board
	118-9423-00				Spring Kit (1 Per Type Spring)
	346-0265-00				Hi-temp Cable Ties For Head Wiring



9482-84

Figure A-2 Printer interior FRUs

Table A-3 Electronics bay FRUs

Figure A-2 parts	Part number	Serial number Effective	Discontinued	Quantity	Name and description
1	118-9302-00			1	Cooling Fan (Power Supply)
2	118-9294-00			1	Power Switch
3a	159-0047-00			1	Fuse, 10 Amp, 250V, 3AG
3b	159-0353-00			1	Fuse, 5 Amp, 250V 3AG
3c	118-9442-00			1	Fuse Cap,r 120VAC System
3d	118-9443-00			1	Fuse Cap, 250VAC System
4	118-9286-00			1	Print Engine Control Bd.
5	118-9290-00			1	Power Supply Assembly (Auto-Universal)
6	118-9291-00			1	Power Supply Cable (10 Pin)
7	118-9292-00			1	Power Supply Cable (12 Pin)
8	119-5480-00			1	1.2 GByte Hard Drive
8a	174-3621-00			1	Hard Drive DC Power Wiring Harness
9	118-9500-00			1	Card Cage With Wiring harness
10a	671-3730-00			1	PostScript ROM SIMM (flash)
10b	671-3731-00			1	PostScript ROM SIMM (masked, avail. mid-Feb 1997)
11a	671-3805-00			1	Extended Features SIMM, Roman
11b	671-3997-00			1	Extended Features SIMM, Kanji
12a	671-3468-03			1	Ethernet Network Card, Ver 3.0
12b	671-3469-00			1	LocalTalk/Serial Network Card, Ver 1.0
12c	671-3470-03			1	Token Ring Network Card, Ver 3.0
12d	386-6815-00			1	Blank Cover Plate (no card installed)
	213-1090-00			2	Blank Cover Plate Thumbscrews
13a	671-3318-00			1	8 Mbyte RAM SIMM
13b	671-3133-00			1	16 Mbyte RAM SIMM
13c	671-3138-00			1	32 Mbyte RAM SIMM
14	671-3750-00			1	Image Processor Board
15	118-9421-00			1	Head Voltage Adjust Access Cover

Supplies and Accessories

Table A-4 Supplies and Accessories

Figure A-2 parts	Part number	Serial number Effective	Discontinued	Quantity	Name and description
	016-1400-00			1	Cleaning Kit (wet)
	003-1681-00			1	Belt Tension Gauge
	003-1683-00			1	Drum Alignment Fixture
	003-1684-00			1	Ink Loader Position Fixture
	003-1685-00			1	Fuser Position Fixture
	003-1686-00			1	Clamp Position Fixture
	003-1687-00			1	Top Cover Position Fixture
	003-1688-00			1	Upper Fuser Roller Position #1 Fixture
	003-1689-00			1	Lower Fuser Roller Position #1 Fixture
	016-1472-00			1	Fuser Wheel/Pads/Fuser Cutter Assy
	003-1680-00			1	Calibration Media, Head Sensors
	016-1257-00			1	Media Roll Holder
	063-2778-00			1	PC-based Diagnostics Diskette

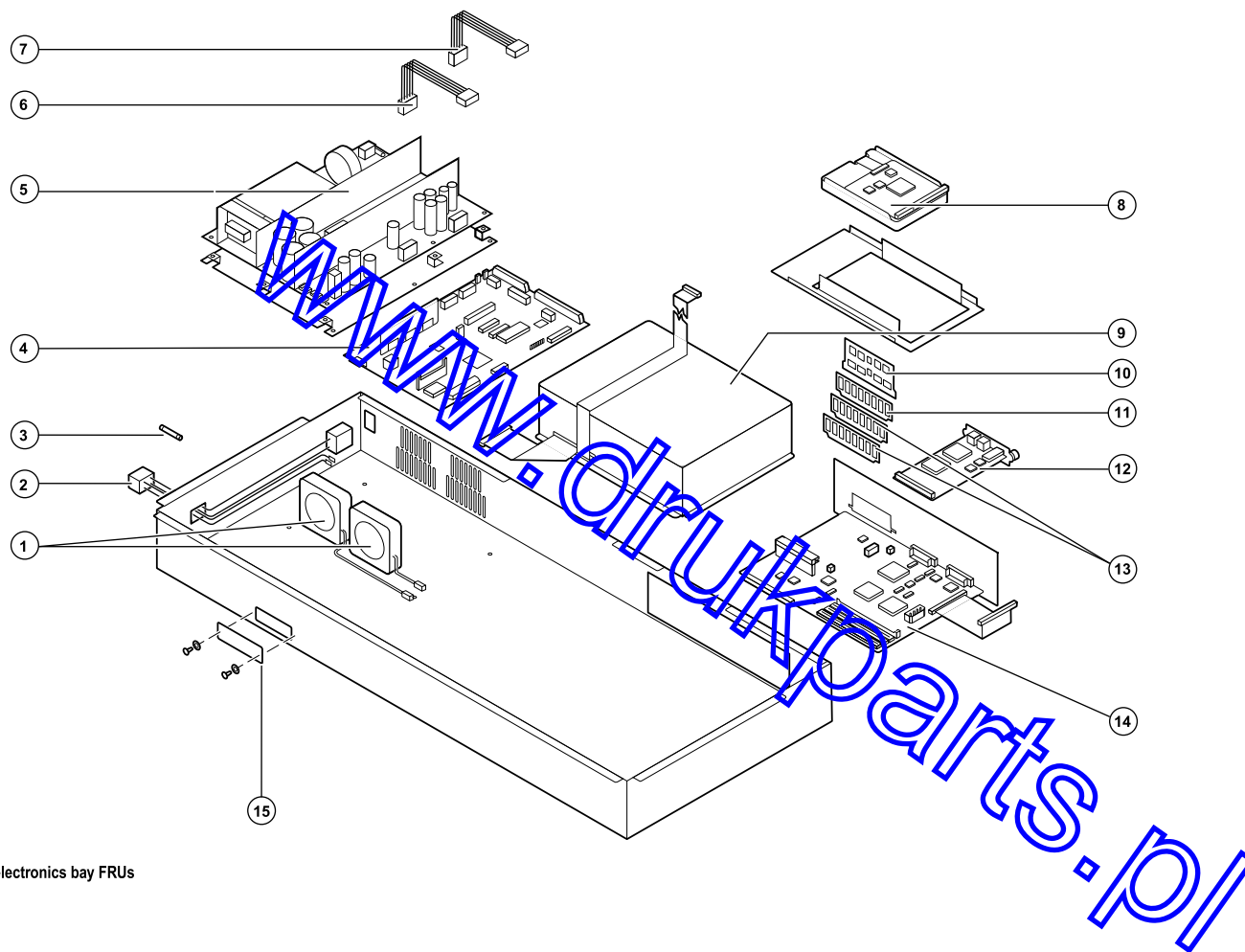


Figure A-3 Printer electronics bay FRUs



Field Replaceable Parts List for the Z600:

Part Number	Figure	Exch.	Used In	New	QTY	Name & Description
I/O Interface:						
671-3468-03	A3-12	*	All		1	Ethernet Network Card, Option Z350FP1
671-3469-00	A3-12		All		1	LocalTalk/Serial Network Card, Option Z350FP3,
671-3470-03	A3-12	*	All		1	TokenRing Network Card, Option Z350FP4
386-6815-00			All		1	I/O Blank Plate (no card installed)
213-1090-00			All		2	Thumbscrews for Blank I/O Plate
Memory:						
671-3138-00	A3-13	*	All		1	32 Mbyte RAM SIMM, Option Z480F5
671-3133-00	A3-13	*	All		1	16 Mbyte RAM SIMM, Option 4685F16
671-3318-00	A3-13	*	All		1	8 Mbyte RAM SIMM
Image Processor:						
671-3750-00	A3-14	*	All		1	Image Processor
671-3730-00	A3-10		All		1	Flash ROM SIMM, "Brains of Pxi Board"
671-3731-00	A3-10		All		1	Masked ROM SIMM, "Brains of Pxi Board" (est. avail Feb '97)
671-3805-00	A3-11		All		1	Extended Features SIMM (Roman)
671-3997-00	A3-11		All		1	Extended Features SIMM (Kanji)
119-5480-00	A3-8		All		1	1.2 Gbyte Hard Drive
174-3621-00	A3-8		All		1	Hard Drive DC Power Wiring Harness
118-9500-00	A3-9		All		1	Card Cage with Wiring Harness
Network Items:						
013-0299-00			All		1	Centronics Adapter 1284-C Plug to 1284-B Receptacle
012-1379-00			All		1	Cable, Serial DB9F/DB9F, RS-232
012-1380-00			All		1	Cable, Serial DB9F/DB25F, RS-232
012-1299-00			All		1	Cable, SCSI, 2.5m 50-pin to 25-pin (SCSI-1 LD to Macintosh SCSI Cable)
012-1468-00			All		1	Cable, Parallel w/IEEE 1284C and DB25M
012-1465-00			All		1	Cable, SCSI II to 50-Pin SCSI, (Printer's SCSI port to CopyStation or hard disk)
013-0297-00			All		1	Cable, SCSI-1 LD to SCSI-2 HD adapter, (converts low density SCSI connection to high density SCSI)
103-0030-00			All		1	Adapter, Coaxial, BNC-T for Thin Net

Figure references Field Service Manual (P/N 070-9482-00)

Updated January 27, 1997 by Carmine Serino Page 1

Part Number	Figure	Exch.	Used In	New	QTY	Name & Description
PE Boards:						
118-9286-00	A3-4		All		1	Print Engine Controller Bd.
118-9421-00	A3-15		All		1	Head Voltage Adjust Access Cover
Circuit Boards (Other):						
118-9288-00	A4-34		All		1	Right Junction Board
118-9289-00	A4-12		All		1	Left Junction Board
118-9497-00	A4-15		All		1	Ink Loader Circuit Board
118-9498-00	A4-22		All		1	Top Cover Junction Board
650-3596-00	A4-30		All		1	Head Carriage Board
118-9501-00	A4-49		All		1	Heater Interconnect Board
650-3257-00	A2-8		All		1	Front Panel LCD Board and Bezel
671-3638-00	A2-8		All		1	Front Panel LCD Board
Power Supply Items:						
118-9290-00	A3-5		All		1	Power Supply Assembly (Auto-Universal)
118-9291-00	A3-6		All		1	Power Supply Cable (10 Pin)
118-9292-00	A3-7		All		1	Power Supply Cable (20 Pin)
159-0047-00	A3-3		All		1	Fuse, 10 Amp, 250V, .3AG
159-0353-00	A3-3		All		1	Fuse, 5 Amp, 250V, .3AG
118-9442-00	A3-3		All		1	Fuser Cap, 120VAC System
118-9443-00	A3-3		All		1	Fuser Cap, 250VAC System
Printhead						
650-3414-00	A4-26	*	All		1	Printhead Assembly
118-9303-00	A4-11a		All		1	Printhead Stop (Left)
118-9499-00	A4-11b		All		1	Printhead Stop (Right)
650-3416-00	A4-27		All		1	Head to Media Assembly
650-3557-00	A4-27		All		1	Bearing and Oil Pads Kit
211-0821-00	A4-28		All		1	Head Hold-Down Brackets & Screws
118-9304-00	A4-29		All		1	Head Mounting Bracket/Carriage Casting
650-3596-00	A4-30		All		1	Head Carriage Board
118-9287-00	A4-31		All		1	Printhead Umbilical Cable
118-9310-00	A4-32		All		1	Timing Fence (Dot Clock) & Spring
118-9306-00	A4-33		All		1	X-Axis Steel Belt Assembly
118-9308-00	A4-36		All		1	Waste Bin (Drawer)
118-9309-00	A4-37		All		1	Waste Bin Lock
384-1765-00	A4-39		All		1	Drip Plate Rods
650-2562-03	A4-40		All		1	Drip Plate Assy
346-0265-00			All		1	Hi-temp Cable Ties For Head Wiring

Figure references Field Service Manual (P/N 070-9482-00)
Updated January 27, 1997 by Carmine Serino Page 2

Part Number	Figure	Exch.	Used In	New	QTY	Name & Description
Printhead Maintenance						
650-3097-01	A4-43		All		1	Maintenance Station (Purge Assy)
650-2263-00	A4-44		All		1	Air Pump Assy
650-2391-01	A4-42		All		1	Head Wiper PM Kit (Pkg of 5)
118-9298-00	A4-25		All		1	Head Maintenance Cam Motor
118-9495-00	A4-24		All		1	Head Maintenance Cam Gear
378-0387-00	A4-41		All		1	Air Filter
Drum, Fuser, Rollers, Guides:						
118-9312-00	A4-17		All		1	Drum Assy
118-9315-00	A4-18		All		1	Paper Clamp
118-9314-00	A4-19		All		1	Media Back Tension Blade
118-9424-00	A4-20		All		1	Upper Media Guide Kit (3)
118-9397-00	A4-21		All		1	Upper Roller Assy
118-9313-00	A4-16		All		1	Drum Solenoid Kit (2 solenoids)
118-9321-00	A4-1		All		1	Fuser Upper & Lower Assy
118-9325-00	A4-4		All		1	St Upper Finger Assy
118-9494-00	A4-5		All		1	Lower Roller / Guide Assy
118-9326-00	A4-6		All		1	Clamp (Bail) Roller Assy
118-9319-00	A4-7		All		1	Left Paper Holder Assy
118-9320-00	A4-38		All		1	Right Paper Holder Assy
118-9327-00	A4-45		All		1	Clamp Stop
118-9324-00	A4-46		All		1	Fuser Carriage Shuttle
Sensors & Switches:						
118-9294-00	A3-2		All		1	Power Switch
118-9293-00	A4-48		All		1	Optical Sensor / Interlock Switch Kit Fuser Open Switch Ink Drop Sensor Ink Low Sensor Ink Origin Sensor Ink Loader Cover Closed Sensor Ink Loader Installed Sensor Top Cover Open Sensor Top Cover Latched Sensor Skew Sensors Paper Input Sensor Roll Media Sensor Printhead Left/Right Edge Sensor Waste Bin Sensor Exit Sensor Clamp Home Sensor Clamp Ready Sensor

Part Number	Figure	Exch.	Used In	New	QTY	Name & Description
Motors:						
118-9323-00	A4-2		All		1	Paper Exit Motor Assy (w/Pulley)
118-9297-00	A4-3		All		1	Fuser Motor Assy (w/Pulley)
118-9296-00	A4-8		All		1	X-Axis Motor Assembly
118-9305-00	A4-35		All		1	X-Axis Return Pulley
118-9295-00	A4-10		All		1	Y-Axis Motor Assy (w/Pulley)
	A4-9		All		1	Y-Axis Drive Gear Assy
118-9300-00	A4-13		All		1	Ink Loader Motor Assembly
118-9496-00	A4-14		All		1	Printhead Door Motor
118-9299-00	A4-23		All		1	Head to Media Assy & Stepper Motor
118-9298-00	A4-25		All		1	Head Maintenance Cam Motor
118-9495-00	A4-24		All		1	Head Maintenance Cam Gear
System Fans:						
118-9302-00	A3-1		All		1	Power Supply Cooling Fan
Exterior Parts:						
118-9493-00	A2-1		All		1	Adjustable Roll Holder End Piece
118-9401-00	A2-2		All		1	Media Roll Support Holder (Left AND Right)
118-9396-00	A2-3		All		1	Cabinet: Roll End Cover (Left OR Right)
118-9400-00	A2-4		All		1	Cabinet: Left Side Cover
118-9307-00	A2-5		All		1	Ink Loader (Ink Stick Cassette)
118-9398-00	A2-6		All		1	Cabinet: Top Cover Assy. (Including Hinge)
118-9317-00	A2-7		All		1	Cabinet: Paper Guide/Cover
650-3257-00	A2-8		All		1	Front Panel LCD Board and Bezel
671-3638-00	A2-8		All		1	Front Panel LCD Board
118-9399-00	A2-9		All		1	Cabinet: Right Side Cover
118-9395-00	A2-10		All		2	Casters Kit
118-9318-00	A2-11		All		1	Roll Cover Spacer Pin Kit
118-9322-00	A2-12		All		1	Cabinet: Roll Cover
118-9316-00	A2-12		All		1	Output Bin

Part Number	Figure	Exch.	Used In	New	QTY	Name & Description
Kits:						
118-9301-00	A4-47		All		1	Belt Kit Fuser Drive Belt Y-Motor (Idler) Belt Y-Drum Belt Ink Loader Belt (2) Head-to-Media Stepper Motor Belt Fuser Shuttle Belt
118-9293-00	A4-48		All		1	Optical Sensor / Interlock Switch Kit Fuser Open Switch Ink Drop Sensor Ink Low Sensor Ink Origin Sensor Ink Loader Cover Closed Sensor Ink Loader Installed Sensor Top Cover Open Sensor Top Cover Latched Sensor Skew Sensors Paper Input Sensor Roll Media Sensor Printhead Left/Right Edge Sensor Waste Bin Sensor Exit Sensor Clamp Home Sensor Clamp Ready Sensor
378-0387-00	A4-42		All		1	Head Wiper PM Kit (Pkg. of 5)
118-9422-00			All		1	Hardware Kit (4 Screws Per Type, 4 Standoffs Per Type, etc.)
118-9423-00			All		1	Spring Kit (1 Spring Per Type)
016-1400-00			All		1	Cleaning Kit (Wet)
118-9395-00	A2-10		All		2	Casters Kit
118-9318-00	A2-11		All		1	Roll Cover Spacer Pin Kit

www.druckparts.de

Part Number	Figure	Exch.	Used In	New	QTY	Name & Description
Service Tools:						
003-1681-00			All		1	Belt Tension Gauge
			All		1	Belt Tension Gauge Shoe (Installed on Belt Tension Gauge To Minimize Slip)
003-1683-00			All		1	Drum Alignment Fixture
			All		1	Drum Alignment Fixture Storage Case
003-1684-00			All		1	Ink Loader Position Fixture
003-1685-00			All		1	Fuser Position Fixture
003-1686-00			All		1	Clamp Position Fixture
003-1687-00			All		1	Top Cover Position Fixture
003-1688-00			All		1	Upper Fuser Roller Position #1 Fixture
003-1689-00			All		1	Lower Fuser Roller Position #1 Fixture
016-1472-00			All		1	Fuser Wheel/Pads/Fuser Cutter Assy
003-1680-00			All		1	Calibration Media (Head Sensors)
016-1257-00			All		1	Media Roll Holder
063-2778-00			All		1	PC Based Diagnostics Diskette (Diags)
016-1400-00			All		1	Cleaning Kit (Wet)
067-1433-99			All		1	Test Pattern Generator
003-0293-00			All		1	Magnetic Tip Screwdriver -- 8.5 ins.
003-1388-00			All		1	Extension Tip
003-0335-00			All		1	#1 Posidriv® Tip
003-0336-00			All		1	#2 Posidriv® Tip
003-0236-00			All		1	Tweezers
003-1344-00			All		1	Hex Wrench Kit
006-7998-00			All		1	Conductive Grease
006-7056-00			All		1	Anti static Mat
343-0549-00			All		1	Replacement cable ties
Manuals:						
070-9480-00			All		1	User, Phaser 600, English
070-9480-10			All		1	User, Phaser 600, French
070-9480-20			All		1	User, Phaser 600, Italian
070-9480-30			All		1	User, Phaser 600, German
070-9480-40			All		1	User, Phaser 600, Spanish
070-9482-00			All		1	Field Service Manual (FSM)
063-2429-00			All		1	Quick Reference Guide, Phaser 600
063-2628-00			All		1	Quick Start Installation, Phaser 600
070-9538-00			All		1	PhaserShare Network Cards and Software System Administration User
070-9539-00			All		1	PhaserShare Status Software User
070-9270-00			All		1	PhaserMatch User

Figure references Field Service Manual (P/N 070-9482-00)
Updated January 27, 1997 by Carmine Serino Page 6

Part Number	Figure	Exch.	Used In	New	QTY	Name & Description
Software Drivers and Utilities						
063-2428-00			All		1	Phaser 600 Printer Software Diskettes (Drivers/Utilities)
063-2653-00			All		1	Software CD-ROM, Phaser 600
Upgrade Kits (Ordered from Sales):						
4685F16						16 Mbyte RAM SIMM
Z480F32						32 Mbyte RAM SIMM
Z600FX						Extended Features SIMM for 22 additional fonts, Copystation support, Print Preview feature, and Reprint feature
Z600FJ						Extended Features SIMM for Kanji fonts, Copystation support, Print Preview feature, and Reprint feature
Z350FP1						Ethernet Network Card
Z350FP3						LocalTalk/Serial Network Card
Z350FP4						Token Ring Network Card
Z350DSK						Phaser SCSI Hard Disk
Z600SS						Media Startup Kit
4540						Phaser Copystation
4690F20						PhaserPrint software (for printing in a UNIX environment)
4690F41						PhaserSym (for printing in a VMS environment)

www.druckershop.nl

Part Number	Figure	Exch.	Used In	New	QTY	Name & Description
Printing Supplies:						
016-1453-00			All		1	Black ColorStix Ink
016-1454-00			All		1	Cyan ColorStix Ink
016-1455-00			All		1	Magenta ColorStix Ink
016-1456-00			All		1	Yellow ColorStix Ink
016-1566-00			All		1	Rainbow Pack (6 Sticks Per Color)
016-1472-00			All		1	Fuser Kit - 2 Fuser Wheels - 2 Foam Ciler Wheels - 2 Cutters
016-1400-00			All		1	Cleaning Kit - 10 Presoaked alcohol cloths - Lint-free cloths - 1 Plastic Bottle (2 oz) - 10 Foam Swabs - 1 Cleaning Tool
016-1474-00			All		1	Smooth White Bond, 24 in X 200 ft
016-1475-00			All		1	Smooth White Bond, 36 in X 200 ft
016-1476-00			All		1	Photo Grade Presentation Paper, 24 in X 150 ft
016-1477-00			All		1	Photo Grade Presentation Paper, 36 in X 150 ft
016-1478-00			All		1	Premium Tracing / Backlit Paper, 36 in X 150 ft
016-1483-00			All		1	Transparent Film, 36 in X 75 ft
016-1479-00			All		1	Backlit Display Film, 36 in X 50 ft
016-1481-00			All		1	Repositionable Adhesive Display Vinyl, 36 in X 50 ft
016-1482-00			All		1	Artist's Presentation Canvas, 36 in X 35 ft
016-1496-00			All		1	High Gloss Lamination Film, 37 in X 250 ft
016-1495-00			All		1	Lustre Finish Lamination Film, 37 in X 250 ft
016-1257-00			All		1	Media Roll Holder
118-9396-00			All		1	Extra Media Roll Endcap
118-9316-00			All		1	Output Bin
118-9307-00			All		1	Ink Loader (Ink Stick Cassette)
4540			All			Phaser CopyStation
Shipping Mtl:						
063-2671-00			All		1	Phaser 600 Repacking Instructions

Figure references Field Service Manual (P/N 070-9482-00)
Updated January 27, 1997 by Carmine Serino Page 8