

A

Field Replaceable Units List

This appendix provides a list of field replaceable units for the printer.

Changes to Tektronix instruments are made to accommodate improved components as they become available. It is important when ordering parts to include the following information:

- Component's part number.
- Instrument type or number.
- Instrument serial number.
- Modification number, if any.

www.drukparts.pl

A *Field Replaceable Units List*

Table A-1 FRU parts list of the printer cabinet

Figure A-1	Part number	Serial number Effective	Discontinued	Quantity	Name and description
1	118-9531-00			1	Front door
2	118-9530-00			1	Upper front cover (operation panel) w/display board
3	118-9537-00			1	Right side cover rear
4	118-9208-00			1	Right side cover front
5	118-9207-00			1	Right side cover lower
6	118-9541-00			1	Bottom front cover
7	118-9536-00			1	Output tray (standard)

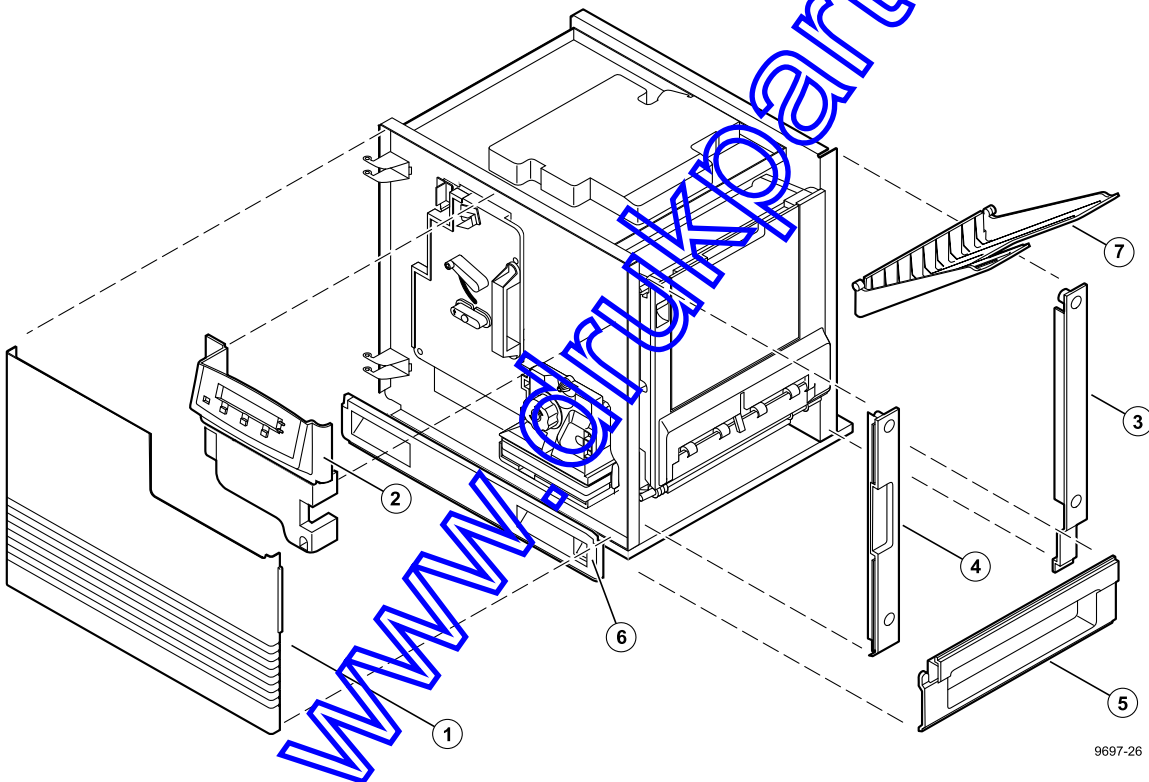
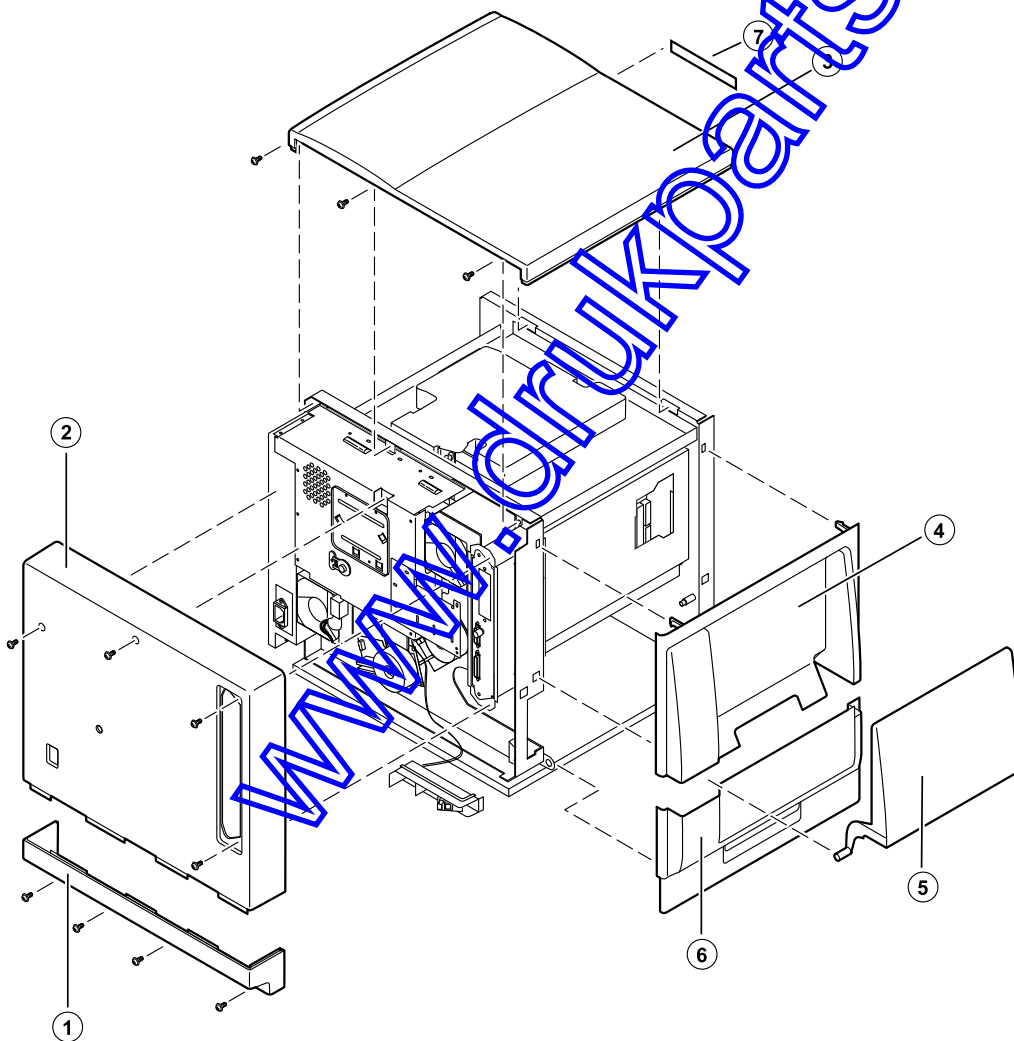


Figure A-1 Cabinet FRUs

Table A-2 FRU part list of the printer cabinet

Figure A-2	Part number	Serial number Effective	Discontinued	Quantity	Name and description
1	118-9529-00			1	Lower rear cover
2	118-9534-00 118-9535-00			1	Upper rear cover (110 VAC) Upper rear cover (220 VAC)
3	118-9528-00			1	Top cover
4	118-9542-00			1	Left side cover
5	118-9522-00			1	Multi-purpose feed tray assy
6	118-9543-00			1	Left side door assy
7	334-8366-37			1	Logo, Phaser 360



9697-27

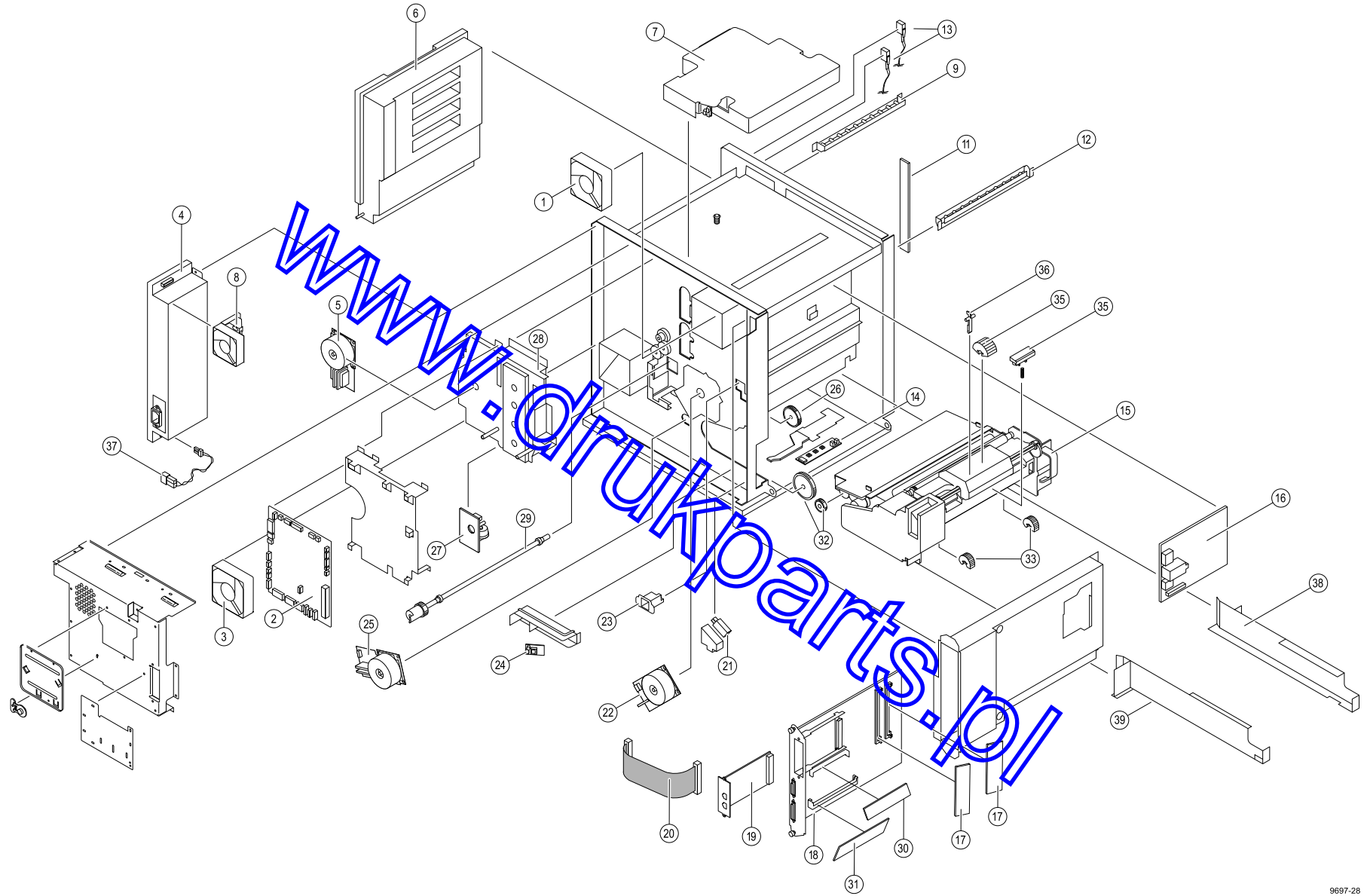
Figure A-2 Cabinet FRUs

A *Field Replaceable Units List*

Table A-3 FRU parts list of the exploded printer

Figure A-3	Part number	Serial number Effective	Discontinued	Quantity	Name and description
1	118-9524-00			1	Fan, ozone filter
2	118-9533-00			1	Engine control board
3	118-9524-00			1	Fan, fuser/toner cartridge
4	118-9511-00			1	Power Supply (100 - 120 VAC)
	118-9512-00			1	Power Supply (220 VAC)
5	118-9515-00			1	Toner cartridge drive motor
6	118-9544-00			1	Toner cartridge selector/paper-eject unit
7	118-9532-00			1	Laser scanner unit
8	118-9551-00			1	Fan, power supply
9	118-9546-00			1	Pre-transfer lamp
11	118-9547-00			1	Toner level sensor board
12	118-9549-00			1	Pre-exposure erase lamp
13	118-9552-00			1	Switch, front/right door open sensor
14	118-9169-00			1	Tray sensor board
15	118-9523-00			1	Paper feeder
16	118-9513-00			1	High-voltage board
17	671-3133-00			1	16-Mbyte RAM SIMM
	671-3138-00			1	32-Mbyte RAM SIMM
18	671-3967-00			1	Image processing board w/rear panel
19a	671-4128-00			1	Ethernet network card
19b	671-3469-00			1	LocalTalk/serial network card
19c	671-3470-03			1	Token Ring network card
19d	386-6815-00			1	Blank cover plate (no card installed)
	213-1090-00			1	Blank cover plate thumbscrews
20	118-9559-00			1	Interconnect cable, IP to engine board
21	118-9550-00			1	Left-side door-open switch
22	118-9525-00			1	Main motor
23	118-9519-00			1	Accumulator belt home-position sensor assembly
24	118-9555-00			1	Humidity/temperature sensor
25	118-9526-00			1	Paper feed motor
26	118-9553-00				Gear kit, Main motor drive
27	118-9527-00			1	Cleaning board
28	118-9514-00			1	Toner cartridge drive unit
29	118-9599-00			1	Accumulator cleaning blade clutch assy
30a	671-3805-00			1	Extended Features SIMM, Roman Font
30b	671-3688-00			1	Extended Features SIMM, Kanji Font
31	671-4147-00			1	PostScript code ROM SIMM
32	118-9562-00			1	Gear kit, paper feeder joint and chassis
33	118-9563-00			2	D-roller, paper feed
35	118-9557-00			1	Multi-purpose tray kit; roller, spring, pad
36	118-9558-00				Paper feeder flag kit

Figure A-3 The internal printer



9697-28

Table A-4 The internal printer

	Part number	Serial number Effective	Discontinued	Quantity	Name and description
37	118-9556-00 118-9603-00			1	Switch, main power (110 v) Switch, main power (220 v)
38	118-9598-00			1	Guide, Paper tray, right
39	118-9597-00			1	Guide, Paper tray, left
	118-9560-00			1	Spring, Toner cartridge, Front and Rear
	118-9601-00			1	Switch, Paper feed door
	118-9602-00			1	Switch, paper exit door
	118-9520-00			1	Software kit

Supplies and Accessories

Table A-5 Supplies and accessories

	Part number	Serial number Effective	Discontinued	Quantity	Name and description
Supply	016-1536-00			1	Black toner cartridge
Supply	016-1537-00			1	Cyan toner cartridge
Supply	016-1538-00			1	Magenta toner cartridge
Supply	016-1539-00			1	Yellow toner cartridge
Supply	016-1556-00			1	Fuser Roll
Supply	016-1523-00			1	Color imaging unit
Supply	016-1534-00			1	Fuser (110 VAC)
Supply	016-1535-00			1	Fuser (220 VAC)
Supply	436-0282-01			1	Paper tray, Letter-size
Supply	436-0283-01			1	Paper tray, A4-size
Supply	436-0314-00			1	Paper tray, Legal-size
Supply	436-0284-01			1	Transparency tray, Letter-size
Supply	436-0285-01			1	Transparency tray, A4-size
Supply	016-1531-00			1	Transparency, Letter-size, 50 sheets
Supply	016-1532-00			1	Transparency, Metric-size, 50 sheets
Supply	016-1368-00			1	Paper, A-size, 500 sheets
Supply	016-1369-00			1	Paper, A4-size, 500 sheets
Supply	016-1557-00			1	Coated Paper, A-size, 500 sheets
Supply	016-1558-00			1	Coated Paper, A4-size, 500 sheets
Supply	016-1637-00			1	T-shirt transfer material, A-size, 100 sheets

Table A-5 Supplies and accessories

	Part number	Serial number Effective	Discontinued	Quantity	Name and description
	119-4799-01				Lower Tray Assembly (no trays supplied)
	118-9561-00				Lower Paper Tray Assembly circuit board
	070-9698-00				Phaser 560 User Manual (English)
	070-9698-10				Phaser 560 User Manual (French)
	070-9698-20				Phaser 560 User Manual (Italian)
	070-9698-30				Phaser 560 User Manual (German)
	070-9698-40				Phaser 560 User Manual (Spanish)
	070-9508-00				Phaser Share Network Manual
	070-9538-01				Phaser Share Status Admin Manual
	070-9539-01				Phaser Share Status Monitor Manual
	063-2372-06				Phaser Share Software Package
	070-9697-00				Phaser 560 Service Manual
	063-1988-01				Ethernet, TokenRing, LocalTalk Network Software Kit
	063-2563-00				Drivers and Utilities Software Kit
	063-1613-02				Drivers and Utilities, CD-ROM
	012-1379-00				Cable Serial, 9-pin to 9-pin
	012-1299-00				Cable, interconnect, 2.5 m 50-pins. to 25-pins
	012-1468-00				Cable, Parallel w/IEEE 1284C (mini)
	012-1465-00				Cable, SCSI II to 50-pin SCSI
	012-1379-00				Cable, Serial, 9-pin to 9-pin
	012-1380-00				Cable, Serial, 9-pin to 25-pin
	013-0282-00				Parallel cable adapter (standard to mini)
	003-1496-00			1	Toner Vacuum (115 VAC)
	003-1497-00			1	Toner Vacuum (220 VAC)
	003-1498-00				Filter for 3M Toner Vacuums
	003-1623-00				Spring removal tool
	003-0619-00			1	IC removal tool
	013-0297-00			1	SCSI cable adapter, 50-pin to SCSI II
	103-0030-00			1	Adapter, T-Connector, BNC
	011-0123-00			1	Coaxial Term. 50 ohms, BNC
	161-0066-00			1	Power cord, domestic
	161-0066-09			1	Power cord, 220V Euro
	161-0066-10			1	Power cord, U.K.
	161-0066-11			1	Power cord, Australian

Table A-5 Supplies and accessories

Part number	Serial number Effective	Discontinued	Quantity	Name and description
161-0154-00			1	Power cord, Swiss
161-0240-00			1	Power cord, Danish
016-1533-00			1	Transfer Kit (Rubber cover)
118-9070-02			1	Scorotron main charger, grid unit
006-7998-00			1	Conductive grease, silicon
006-7971-00			1	Imaging unit light shield/drape
065-0566-00				Shipping box, replacement kit
039-0029-00				Phaser Copystation

www.drukparts.pl