

A

Field Replaceable Units List

This appendix provides a list of field replaceable units for the printer.

Changes to Tektronix instruments are made to accommodate improved components as they become available. It is important when ordering parts to include the following information:

- Component's part number.
- Instrument type or number.
- Instrument serial number.
- Modification number, if any.

www.druckparts.pl

A *Field Replaceable Units List*

Table A-1 FRU parts list of the printer cabinet

Figure A-1	Part number	Serial number Effective	Discontinued	Quantity	Name and description
1	118-9205-00			1	Front door
2	118-9204-00			1	Lower front cover
3	118-9203-00			1	Upper front cover (operation panel) w/display board
4	118-9206-00			1	Right side cover rear
5	118-9208-00			1	Right side cover front
6	118-9207-00			1	Right side cover lower
7	118-9182-00			1	Bottom front cover
8	436-0297-01			1	Output tray (standard)

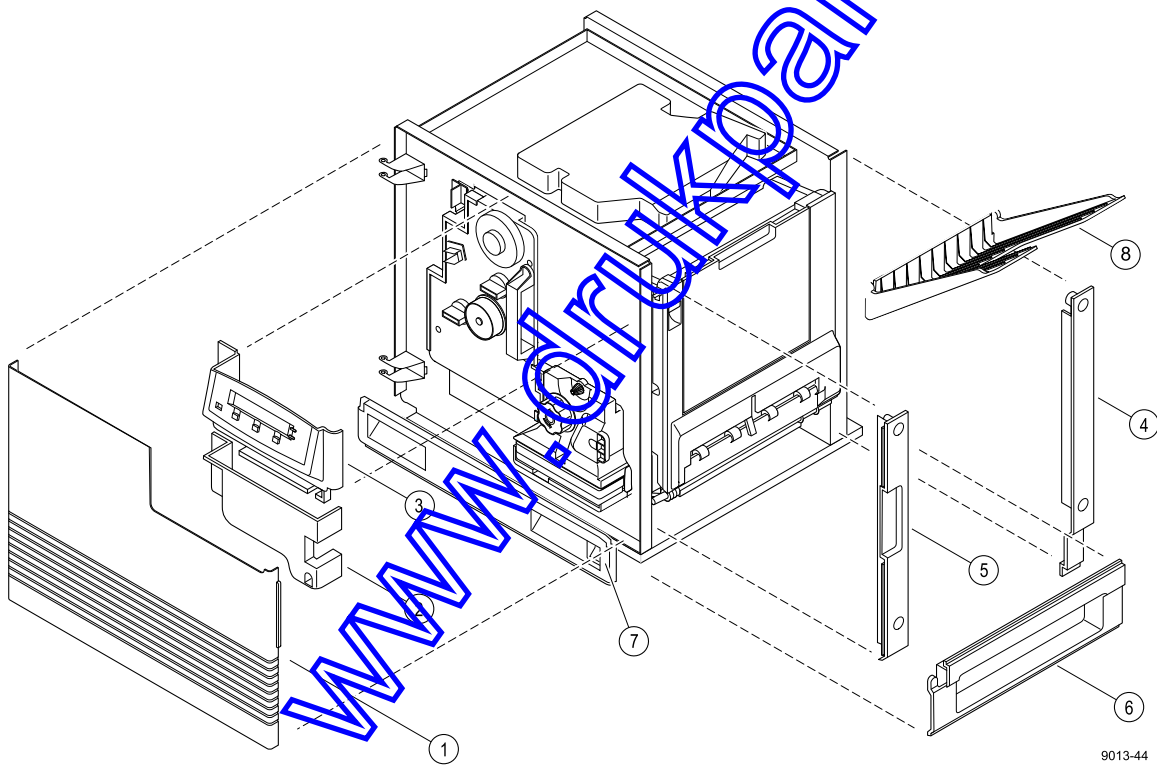


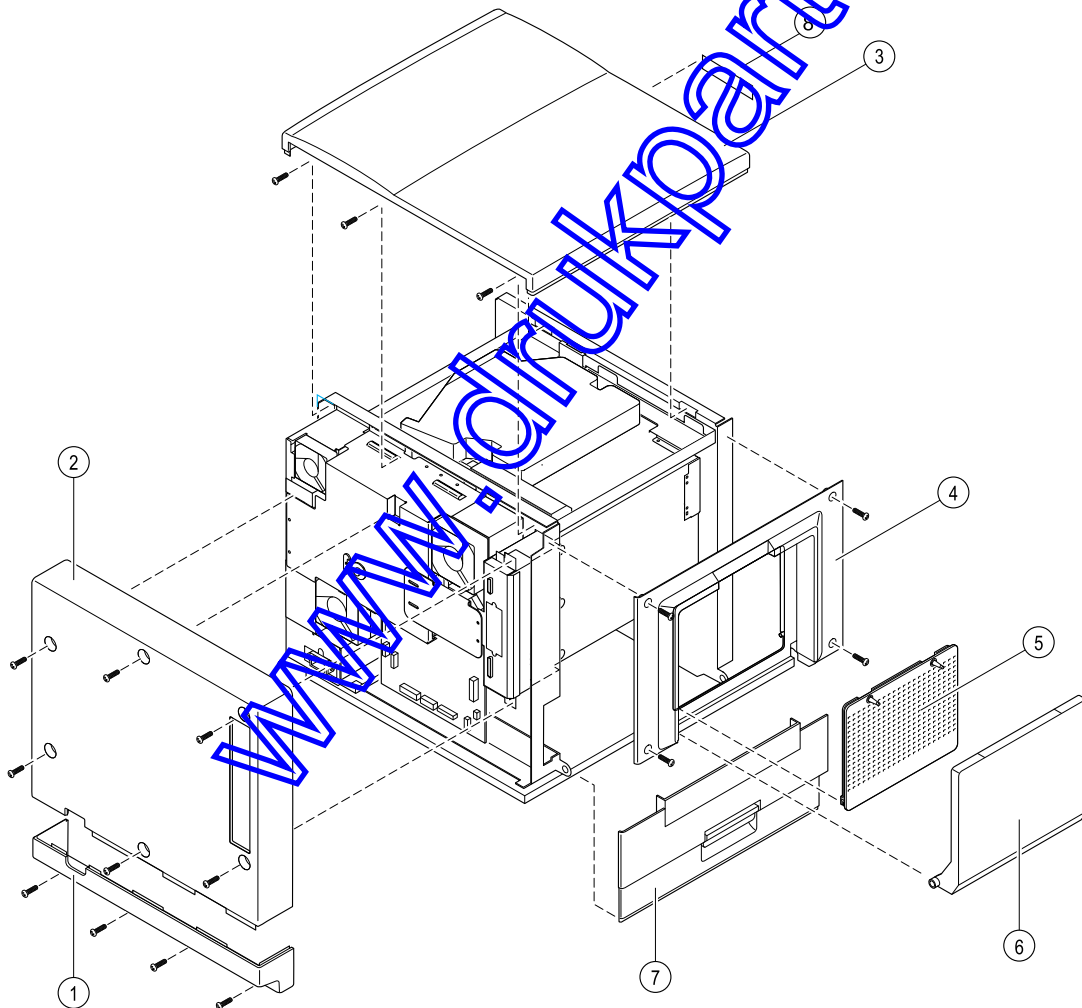
Figure A-1 Cabinet FRUs

9013-44

A-2 *Phaser 550 Color Printer*

Table A-2 FRU part list of the printer cabinet

Figure A-2	Part number	Serial number Effective	Discontinued	Quantity	Name and description
1	118-9202-00			1	Lower rear cover
2	118-9330-00 118-9331-00			1	Upper rear cover (110 VAC) Upper rear cover (220 VAC)
3	118-9198-00			1	Top cover
4	118-9200-00			1	Left side cover
5	118-9199-00			1	SIMM access door
6	118-9184-00			1	Manual feed tray
7	118-9183-00			1	Left door
8	334-8366-30			1	Logo, Phaser 550



9013-45

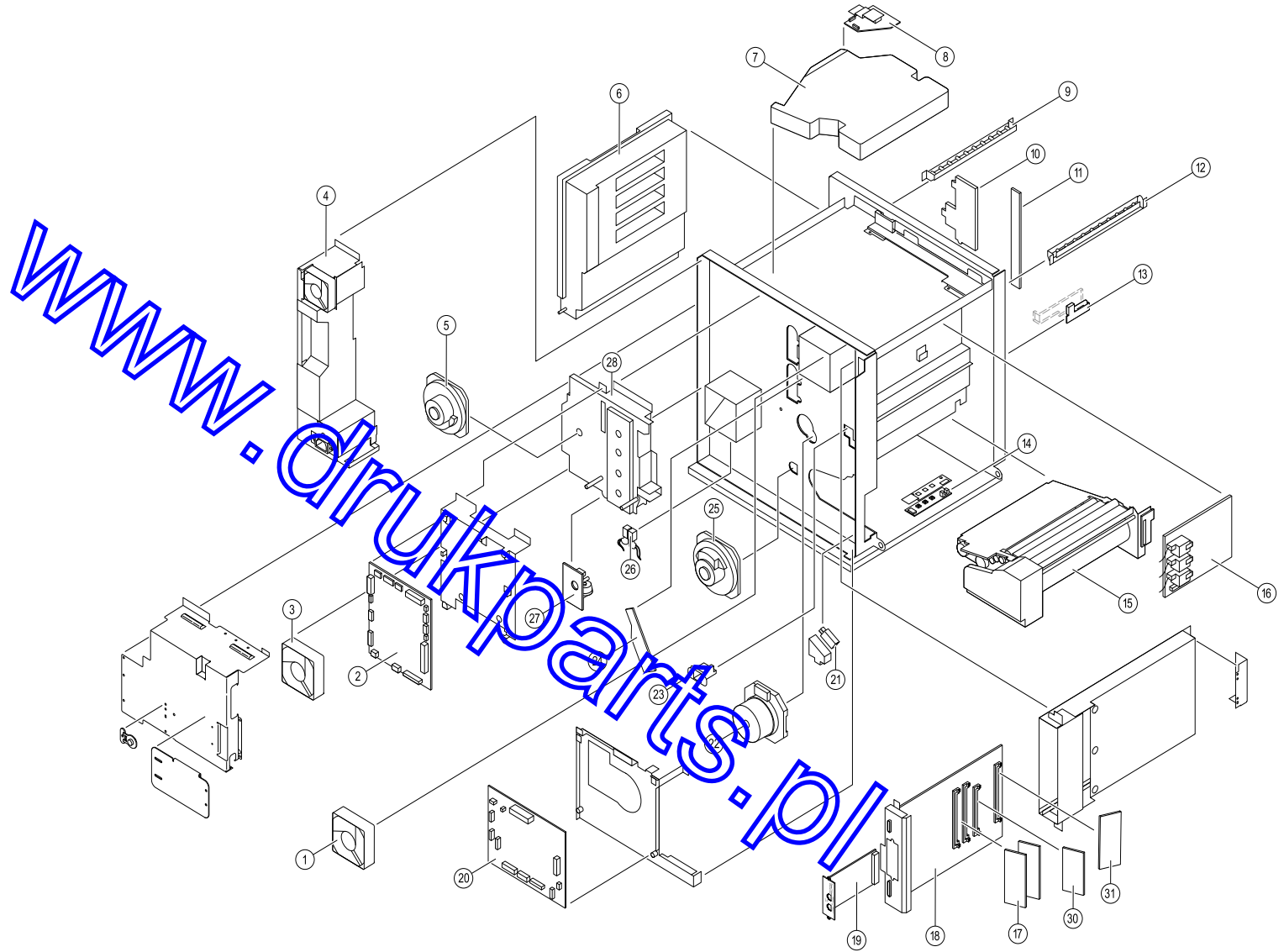
Figure A-2 Cabinet FRUs

A *Field Replaceable Units List*

Table A-3 FRU parts list of the exploded printer

Figure A-3	Part number	Serial number Effective	Discontinued	Quantity	Name and description
1	118-9192-00			1	Ozone fan
2	118-9269-00			1	Engine control board
3	118-9191-00			1	Fuser/toner cartridge fan
4	118-9154-00			1	Power Supply (110 - 120 VAC)
	118-9154-01			1	Power Supply (100 - 120 VAC)-Japan
	118-9332-00			1	Power Supply (220 VAC)
5	118-9181-00			1	Toner cartridge drive motor
6	118-9186-00			1	Toner cartridge selector/paper-eject unit
7	118-9268-00			1	Laser scanner
8	118-9333-00			1	Laser motor drive board
9	118-9166-00			1	Pre-transfer lamp
10	118-9169-00			1	Toner cartridge biasing assembly
11	118-9170-00			1	Toner level sensor board
12	118-9164-00			1	Pre-exposure erase lamp
13	118-9165-00			1	Image density sensor assembly
14	118-9167-00			1	Tray sensor board
15	118-9185-00			1	Paper feeder
16	118-9329-00			1	High-voltage board
17	671-3133-00			1	16-Mbyte RAM SIMM
17	671-3138-00			1	32-Mbyte RAM SIMM
18	671-3686-00			1	Image processing board w/rear panel
19a	671-3468-02			1	Ethernet network card
19b	671-3469-00			1	LocalTalk/serial network card
19c	671-3470-02			1	Token Ring network card
19d	386-6815-00			1	Blank cover plate (no card installed)
	213-1090-00			2	Blank cover plate thumbscrews
20	118-9196-00			1	Engine driver board
21	118-9173-00			1	Left door-open switch
22	118-9193-00			1	Main motor
23	118-9172-00			1	Home-position sensor assembly
24	118-9171-00			1	Charger sensor board
25	118-9194-00			1	Paper feed motor
26	118-9190-00			1	Fuser installed switch
27	118-9195-00			1	Cleaning board
28	118-9168-00			1	Toner cartridge drive unit
30a	671-3805-00			1	Extended Features SIMM, Roman Font
30b	671-3688-00			1	Extended Features SIMM, Kanji Font
31	671-3847-00			1	PostScript Code ROM SIMM (masked)
	671-3847-00			1	Masked ROM, engine control board Z550
	118-9174-00			1	Hardware kit
	118-9176-00			1	Gear kit
	650-3170-00			1	Spring kit

Figure A-3 The internal printer



9322-72

Table A-4 Supplies and accessories

Part number	Serial number Effective	Discontinued	Quantity	Name and description
Supply	016-1457-00			Imaging unit
Supply	016-1323-00			Fuser (110 VAC)
Supply	016-1354-00			Fuser (220 VAC)
Supply	436-0282-00			Paper tray, Letter-size
Supply	436-0283-00			Paper tray, A4-size
Supply	436-0314-00			Paper tray, Legal-size
Supply	436-0284-00			Transparency tray, Letter-size
Supply	436-0285-00			Transparency tray, A4-size
	436-0297-01			Output tray (standard)
	119-4799-01			Power Tray Assembly (no trays supplied)
	070-9317-00			Phaser 550 User Manual (English)
	070-9317-10			Phaser 550 User Manual (French)
	070-9317-20			Phaser 550 User Manual (Italian)
	070-9317-30			Phaser 550 User Manual (German)
	070-9317-40			Phaser 550 User Manual (Spanish)
	070-9117-00			Phaser 550 Drivers and Utilities Printing Reference Manual
	070-9508-00			Phaser Share Network Manual
	070-9539-00			Phaser Share Status Monitor Manual
	070-9322-00			Phaser 550 Service Manual
	063-2179-03			Ethernet Network Software Kit
	063-2181-02			LocalTalk Network Software Kit
	063-2486-00			Drivers and Utilities Software Kit
	063-2183-02			TokenRing Network Software Kit
	012-1379-00			Cable, Serial, 9-pin to 9-pin
	012-1299-00			Cable, interconnect, 2.5 m 50-pins. to 25-pins
	012-1468-00			Cable, Parallel w/IEEE 1284C (mini)
	012-1465-00			Cable, SCSI II to 50-pin SCSI
	012-1379-00			Cable, Serial, 9-pin to 9-pin
	012-1380-00			Cable, Serial, 9-pin to 25-pin
	013-0299-00			Parallel cable adapter (standard to mini)
	003-1496-00			Toner Vacuum (115 VAC)
	003-1497-00			Toner Vacuum (220 VAC)
	003-1498-00			Filter for 3M Toner Vacuums

Table A-4 Supplies and accessories (cont'd.)

Part number	Serial number Effective	Discontinued	Quantity	Name and description
Supply	016-1414-00		1	Transparency, Letter-size, 50 sheets
Supply	016-1415-00		1	Transparency, Metric-size, 50 sheets
Supply	016-1368-00		1	Paper, A-size, 500 sheets
Supply	016-1369-00		1	Paper, A4-size, 500 sheets
	013-0297-00		1	SCSI cable adapter, 50-pin to SCSI II
	103-0030-00		1	Adapter, Connector, BNC
	011-0123-00		1	Coaxial Term. 50 ohms, BNC
	016-1417-00		1	Black toner cartridge
	016-1418-00		1	Cyan toner cartridge
	016-1419-00		1	Magenta toner cartridge
	016-1420-00		1	Yellow toner cartridge
	161-0066-00		1	Power cord, domestic
	161-0066-09		1	Power cord, 220V Euro
	161-0066-10		1	Power cord, U.K.
	161-0066-11		1	Power cord, Australian
	161-0154-00		1	Power cord, Swiss
	016-1318-00		1	Transfer Kit (Transfer roll and Waste box)
	118-9070-00		1	Scorotron charger corona unit
	006-7998-00		1	Conductive grease, silicon
	006-7971-00		1	Imaging unit light shield/drape
	065-0553-00		1	Shipping box, replacement
	4685F16		1	16 Mbyte RAM upgrade
	4685F32		1	32 Mbyte RAM upgrade
	Z550FX		1	Extended features SIMM (requires either 4685F16 or 4685F32)
	4676FA		1	Auxiliary feeder
	4676FA01		1	Auxiliary feeder, metric
	4676FP1		1	Ethernet card upgrade
	4676FP2		1	TCP/IP upgrade (required 4676FP1)
	4676FP3		1	LocalTalk/Serial card upgrade
	4676FP4		1	TokenRing card upgrade
	4540		1	Phaser Copystation