

# A

## *Field Replaceable Units List*

This appendix provides a list of field replaceable units for the printer.

Changes to Tektronix instruments are made to accommodate improved components as they become available. It is important when ordering parts to include the following information:

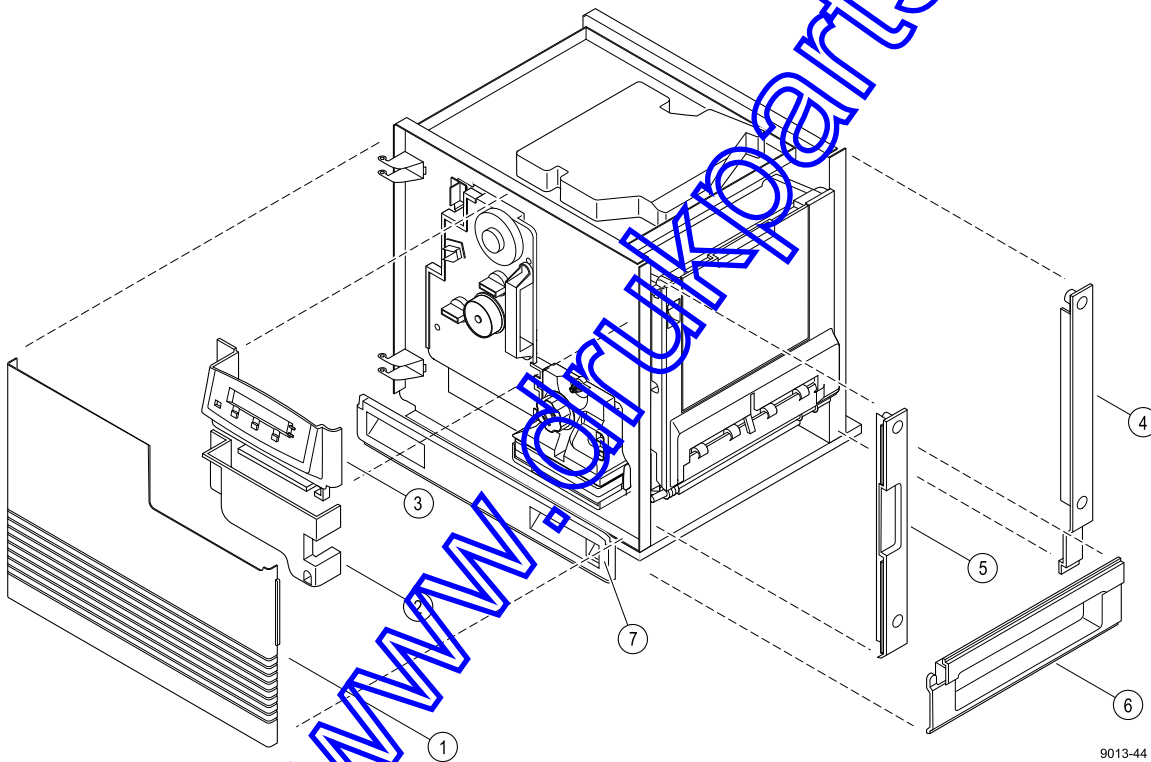
- Component's part number.
- Instrument type or number.
- Instrument serial number.
- Modification number, if any.

[www.drukparts.pl](http://www.drukparts.pl)

**A** *Field Replaceable Units List*

**Table A-1** FRU parts list of the printer cabinet

Figure A-1	Part number	Serial number Effective	Discontinued	Quantity	Name and description
1	118-9205-00			1	Front door
2	118-9204-00			1	Lower front cover
3	118-9203-00			1	Upper front cover w/display board
4	118-9206-00			1	Right side cover rear
5	118-9208-00			1	Right side cover front
6	118-9207-00			1	Right side cover lower
7	118-9182-00			1	Bottom front cover

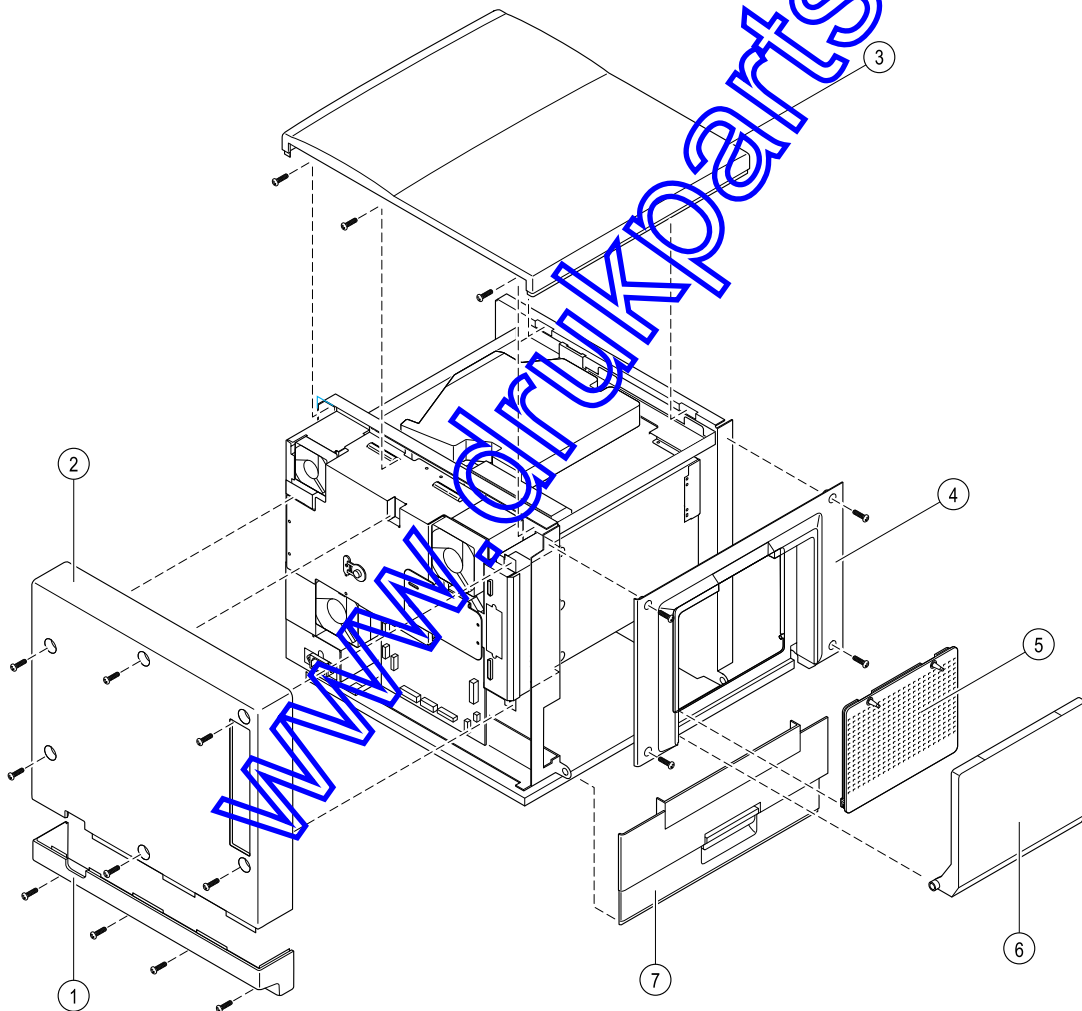


**Figure A-1** Cabinet FRUs

9013-44

**Table A-2** FRU part list of the printer cabinet

Figure A-2	Part number	Serial number Effective	Discontinued	Quantity	Name and description
1	118-9202-00			1	Lower rear cover
2	118-9201-00			1	Upper rear cover
3	118-9198-00			1	Top cover
4	118-9200-00			1	Left side cover
5	118-9199-00			1	SIMM access door
6	118-9184-00			1	Manual feed tray
7	118-9183-00			1	Left door



9013-45

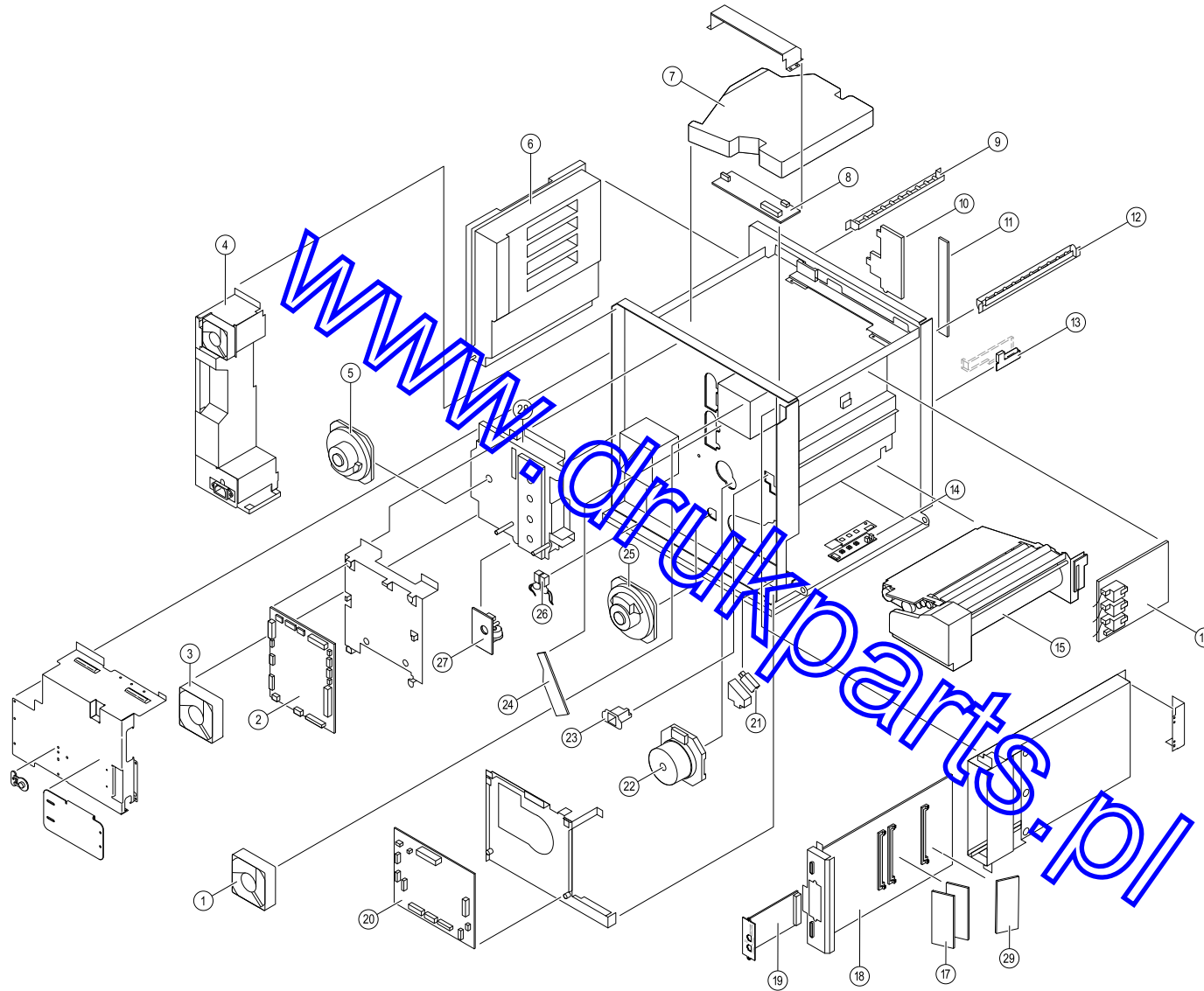
**Figure A-2** Cabinet FRUs

**A** *Field Replaceable Units List*

**Table A-3** FRU parts list of the exploded printer

Figure A-3	Part number	Serial number Effective	Discontinued	Quantity	Name and description
1	118-9192-00			1	Ozone fan
2	118-9189-01			1	Engine control board
3	118-9191-00			1	Fuser/toner cartridge fan
4	118-9154-00			1	Power Supply (110 VAC)
4	118-9153-00			1	Power Supply (220 VAC)
5	118-9181-00			1	Toner cartridge drive motor
6	118-9186-00			1	Toner cartridge selector/paper-eject unit
7	118-9187-00			1	Laser scanner
8	118-9188-00			1	Laser modulation board
9	118-9166-00			1	Pre-transfer lamp
10	118-9169-00			1	Toner cartridge biasing assembly
11	118-9170-00			1	Toner level sensor board
12	118-9164-00			1	Pre-exposure erase lamp
13	118-9165-00			1	Image density sensor assembly
14	118-9167-00			1	Trawl sensor board
15	118-9185-00			1	Paper feeder
16	118-9163-00			1	High-voltage board
17	671-3133-00			1	16-Mbyte RAM SIMM
18	671-3108-06			1	Image processing board w/rear panel
19	671-3468-00			1	Ethernet network card
19	671-3469-00			1	LocalTalk/serial network card
19	671-3470-00			1	Token Ring network card
20	118-9196-00			1	Engine driver board
21	118-9173-00			1	Left door-open switch
22	118-9193-00			1	Main motor
23	118-9172-00			1	Home-position sensor assembly
24	118-9171-00			1	Charger sensor board
25	118-9194-00			1	Paper feed motor
26	118-9190-00			1	Fuser installed switch
27	118-9195-00			1	Cleaning board
28	118-9168-00			1	Toner cartridge drive unit
29	671-3210-00			1	P540 PostScript Code ROM SIMM (masked ROM - avail July '95)
29	671-3210-01			1	P540 Plus PostScript Code ROM SIMM (masked ROM - avail July '95)
29	671-3209-00			1	P540 PostScript Code ROM SIMM (flash ROM - avail until July '95)
29	671-3209-01			1	P540 Plus PostScript Code ROM SIMM (flash ROM - avail until July '95)
	118-9174-00			1	Hardware kit
	118-9176-00			1	Gear kit

Figure A-3 The internal printer



9013-56

Table A-4 Supplies and accessories

	Part number	Serial number Effective	Discontinued	Quantity	Name and description
Supply	016-1316-00				Imaging unit
Supply	016-1323-00				Fuser (110 VAC)
Supply	016-1354-00				Fuser (220 VAC)
Supply	016-1317-00				Pre-transfer charger (corona wire kit)
Supply	436-0282-00				Paper tray, Letter-size
Supply	436-0283-00				Paper tray, A4-size
Supply	436-0284-00				Transparency tray, Letter-size
Supply	436-0285-00				Transparency tray, A4-size
	436-0314-00				Paper tray, Legal-size
	436-0297-00				Output tray
	119-4799-00				Lower Tray Assembly (no trays supplied)
	070-9008-01				Phaser 540 User Manual (English)
	070-9008-11				Phaser 540 User Manual (French)
	070-9008-21				Phaser 540 User Manual (Italian)
	070-9008-31				Phaser 540 User Manual (German)
	070-9008-41				Phaser 540 User Manual (Spanish)
	070-9009-00				Phaser 540 Drivers and Utilities Printing Reference Manual
	070-9109-00				Network Manual
	070-9291-00				Phaser Share Administration Manual
	070-9292-00				Phaser Share Status Monitor Manual
	070-9013-01				Phaser 540 Service Manual
	063-2179-00				Ethernet Network Software Kit
	063-2181-00				LocalTalk Network Software Kit
	063-2089-00				Drivers and Utilities Software Kit
	012-1379-00				Cable Serial, 9-pin to 9-pin
	012-1299-00				Cable, interconnect., 2.5 m 50-pins. to 25-pins
	012-1468-00				Cable, Parallel w/IEEE 1284C (mini)
	012-1465-00				Cable, SCSI II to 50-pin SCSI
	012-1380-00				Cable, Serial, 9-pin to 25-pin
	013-0299-00				Parallel cable adapter (standard to mini)
	003-1496-00				Toner Vacuum (115 VAC)
	003-1497-00				Toner Vacuum (220 VAC)
	003-1498-00				Filter for 3M Toner Vacuums
	016-1325-00				Transparency, Letter-size, 50 sheets

Table A-4 Supplies and accessories (cont'd.)

	Part number	Serial number Effective	Discontinued	Quantity	Name and description
	016-1326-00				Transparency, Metric-size, 50 sheets
	016-1368-00				Paper, A-size, 500 sheets
	016-1369-00				Paper, A4-size, 500 sheets
	013-0297-00				Adapter, Cable
	103-0030-00				Adapter, Connector, BNC
	011-0123-00				Coaxial Term. 50 ohms, BNC
	016-1319-00				Black toner cartridge
	016-1320-00				Cyan toner cartridge
	016-1321-00				Magenta toner cartridge
	016-1322-00				Yellow toner cartridge
	161-0066-00				Power cord, domestic
	161-0066-09				Power cord, 220V Euro
	161-0066-10				Power cord, U.K.
	161-0066-11				Power cord, Australian
	161-0154-00				Power cord, Swiss
	334-8366-22				Logo - Phaser 540
	334-8366-32				Logo - Phaser 540 Plus
	016-1318-00				Transfer Kit (Transfer roll and Waste box)
	118-9070-00				ScoroTron charger corona unit
	006-7998-00				Conductive grease
	118-9175-00				Pre-transfer corona cleaning tool
	006-7971-00				Imaging unit light shield/drape