

5. PARTS LIST SECTION

TITLE	PAGE	TITLE	PAGE
<u>INTRODUCTION</u>	5-2	<u>FUSING AND PRINT TRANSPORTATION</u>	
<u>PARTS LIST</u>		PL 10.1 FUSER MODULE	5-16
<u>ELECTRICAL COMPONENTS</u>		PL 10.2 EXIT ASSEMBLY, OIL SENSOR	5-17
PL 1.1 ELECTRICAL COMPONENTS	5-4	<u>COVER AND FRAMES</u>	
<u>MACHINE RUN CONTROL</u>		PL 13.1 COVERS	5-18
PL 3.1 CONNECTION, INPUT/OUTPUT, MAIN CONTROL AND CONTROL PANEL PWB	5-6	<u>COVERS AND FRAMES</u>	
<u>IMAGING</u>		PL 13.2 OZONE FILTER AND COOLING FANS	5-19
PL 6.1 ROS	5-6	<u>ELECTRONICS</u>	
<u>PAPER SUPPLY</u>		PL 24.1 ESS	5-20
PL 7.1 TRAY	5-7	PL 25.1 MEDIA SERVER, COLLATION DISK	5-21
<u>PAPER TRANSPORTATION</u>		<u>COMMON HARDWARE</u>	5-22
PL 8.1 PAPER TRANSPORTATION DRIVES/SENSORS	5-8	<u>PART NUMBER INDEX</u>	5-23
PL 8.2 BYPASS FEED GUIDE	5-9		
PL 8.3 TRAY 2 FEEDER ASSEMBLY	5-10		
PL 8.4 HCF COVERS, POWER SUPPLY AND FEEDER SLIDE/PAPER SIZE SWITCH	5-10A		
PL 8.5 HCF ELEVATOR AND FEED SHAFTS	5-10B		
PL 8.6 HCF FEED DRIVE AND PWB	5-10C		
PL 8.7 HCF ELEVATOR DRIVE	5-10D		
PL 8.8 HCS COMPONENTS	5-10E		
<u>XEROGRAPHICS</u>			
PL 9.1A XEROGRAPHIC COMPONENTS (4900/4915); PART 1 OF 4	5-11		
PL 9.1B XEROGRAPHIC COMPONENTS (4920/4925); PART 2 OF 4	5-12		
PL 9.2A XEROGRAPHIC COMPONENTS; PART 3 OF 4	5-13		
PL 9.2B XEROGRAPHIC COMPONENTS; PART 4 OF 4	5-14		
PL 9.3 XEROGRAPHIC DRIVES	5-15		

www.druckparts.pl

OVERVIEW

The Parts List section identifies all part numbers and the corresponding location of all spared subsystem components.

ORGANIZATION

PARTS LISTS

Each item number in the part number listing corresponds to an item number in the related illustration. All the parts in a given subsystem of the machine will be located in the same illustration or in a series of associated illustrations.

ELECTRICAL CONNECTORS AND FASTENERS

This section contains the illustrations and descriptions of the plugs, jacks, and fasteners used in the machine. Part number listing of the connectors is included.

COMMON HARDWARE

The common hardware is listed in alphabetical order by the letters or letters used to identify each item in the part number listing and in the illustrations. Dimensions are in millimeters unless otherwise identified.

PART NUMBER INDEX

This index lists all the spared parts in the machine in numerical order. Each number is followed by a reference to the parts list on which the part may be found.

OTHER INFORMATION

ABBREVIATIONS

Abbreviations are used in the parts lists and the exploded view illustrations to provide information in a limited amount of space. The following abbreviations are used in this manual:

AC	ALTERNATING CURRENT
C	CYAN
DC	DIRECT CURRENT
ESS	ELECTRONIC SUBSYSTEM
HCF	HIGH CAPACITY FEEDER
HCS	HIGH CAPACITY STACKER
I/O	INPUT/OUTPUT
BLACK	BLACK
MAGENTA	MAGENTA
MILLIMETER	MILLIMETER
MEGABYTE	MEGABYTE
MAIN CONTROL	MAIN CONTROL
PARTS LIST	PARTS LIST
PART OF	PART OF
PRINTED WIRING BOARD	PRINTED WIRING BOARD
REFERENCE	REFERENCE
RASTER OUTPUT SCANNER	RASTER OUTPUT SCANNER
RANK XEROX	RANK XEROX
UNITED STATES OPERATIONS	UNITED STATES OPERATIONS
V	VOLT
XCL	XEROX CANADA LIMITED
XLA	XEROX LATIN AMERICA
Y	YELLOW

SYMBOLLOGY

Symbology used in the Parts List section is identified in the Symbology section.

SUBSYSTEM INFORMATION

USE OF THE TERM "ASSEMBLY"

The term "assembly" will be used for items in the part number listing that include other itemized parts in the part number listing. When the word "assembly" is found in the part number listing, there will be a corresponding item number on the illustrations followed by a bracket and a listing of the contents of the assembly.

BRACKETS

A bracket is used when an assembly or kit is spared, but is not shown in the illustration. The item number of the assembly or kit precedes the bracket; the item numbers of the piece parts follow the bracket.

Tag

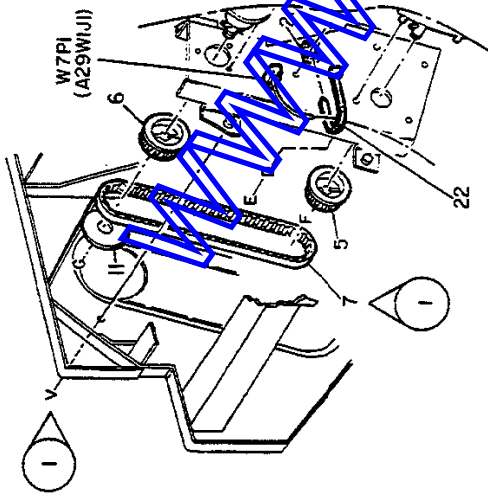
The notation "W/Tag" in the parts description indicates that the part configuration has been updated. Check the change Tag index in the General Information section of the Service Data for the name and purpose of the modification.

In some cases, a part or assembly may be spared in two versions: with the Tag and without the Tag. In those cases, use whichever part is appropriate for the configuration of the machine on which the part is to be installed. If the machine does not have a particular Tag and the only replacement part available is listed as "W/Tag," install the Tag kit or all of the piece parts. The Change Tag Index tells you which kit or piece parts you need.

Whenever you install a Tag kit or all the piece parts that make up a Tag, mark the appropriate number on the Tag matrix.

SYMBOLGY

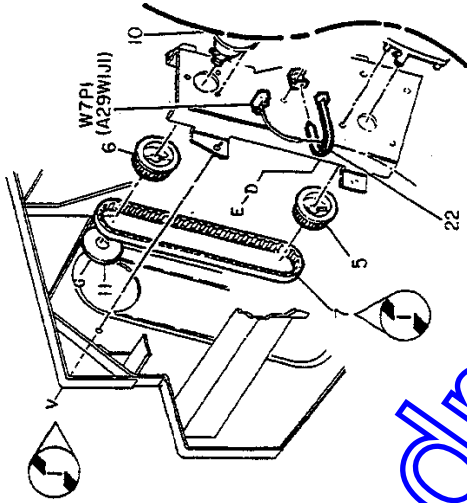
A tag number within a circle and pointing to an item number shows that the part has been changed by the tag number within the circle (Figure 1). Information on the modification is in the Change Tag Index.



O	Z004	A
850	PL	M I

Figure 1. With Tag Symbol

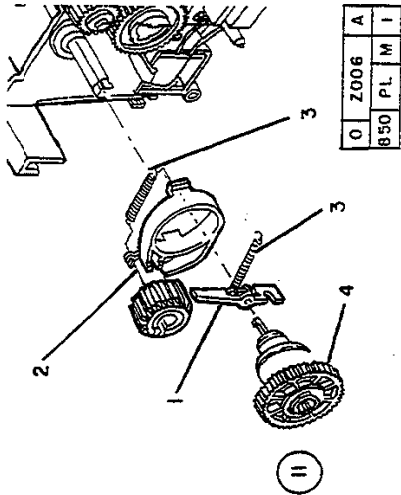
A tag number within a circle having a shaded bar and pointing to an item number shows that the configuration of the part shown is the configuration before the part was changed by the tag number within the circle (Figure 2).



O	Z005	A
850	PL	M I

Figure 2. Without Tag Symbol

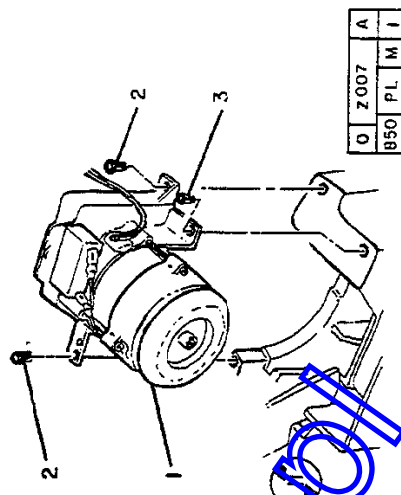
A tag number within a circle with no apex shows that the entire drawing has been changed by the tag number within the circle (Figure 3). Information on the modification is in the Change Tag Index.



O	Z006	A
850	PL	M I

Figure 3. Entire Drawing With Tag Symbol

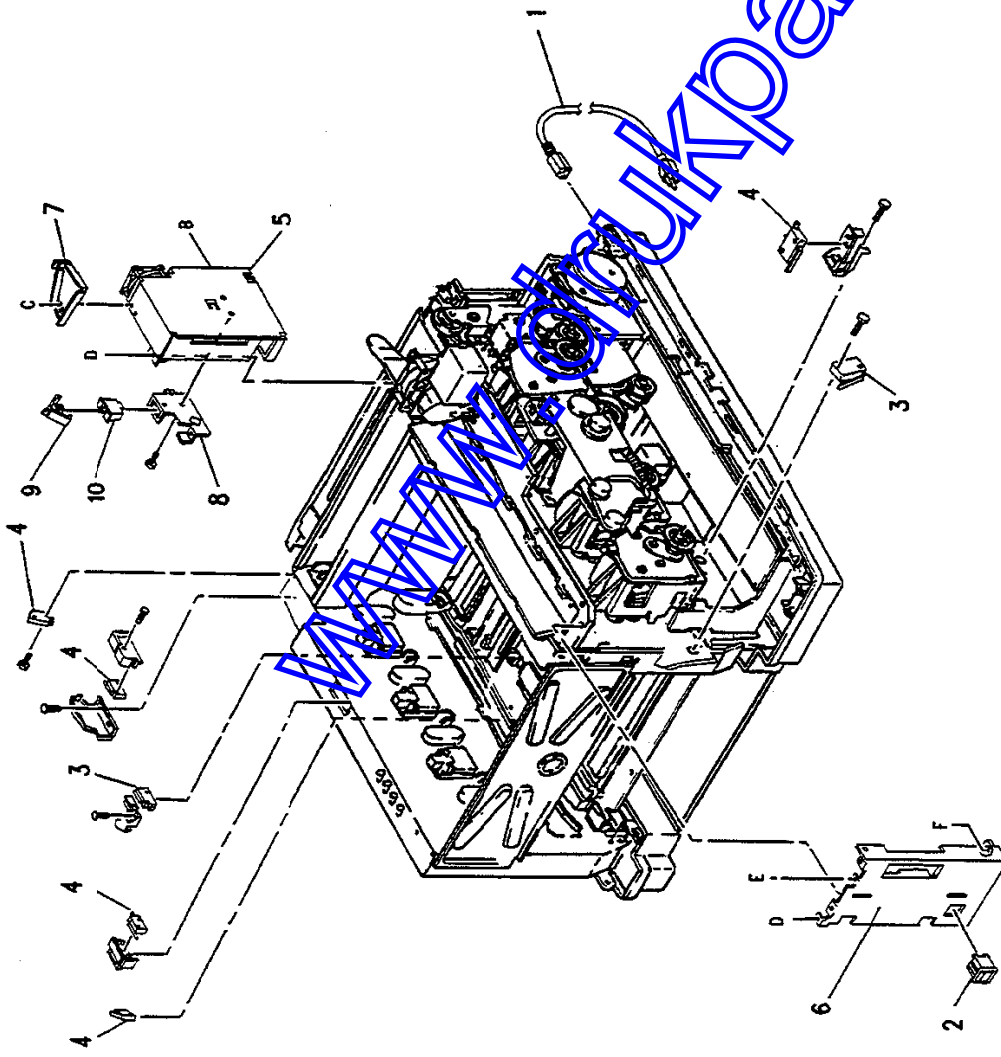
A tag number within a circle with no apex and having a shaded bar shows that the entire drawing was the configuration before being changed by the tag number within the circle (Figure 4).



O	Z007	A
850	PL	M I

Figure 4. Entire Drawing Without Tag Symbol

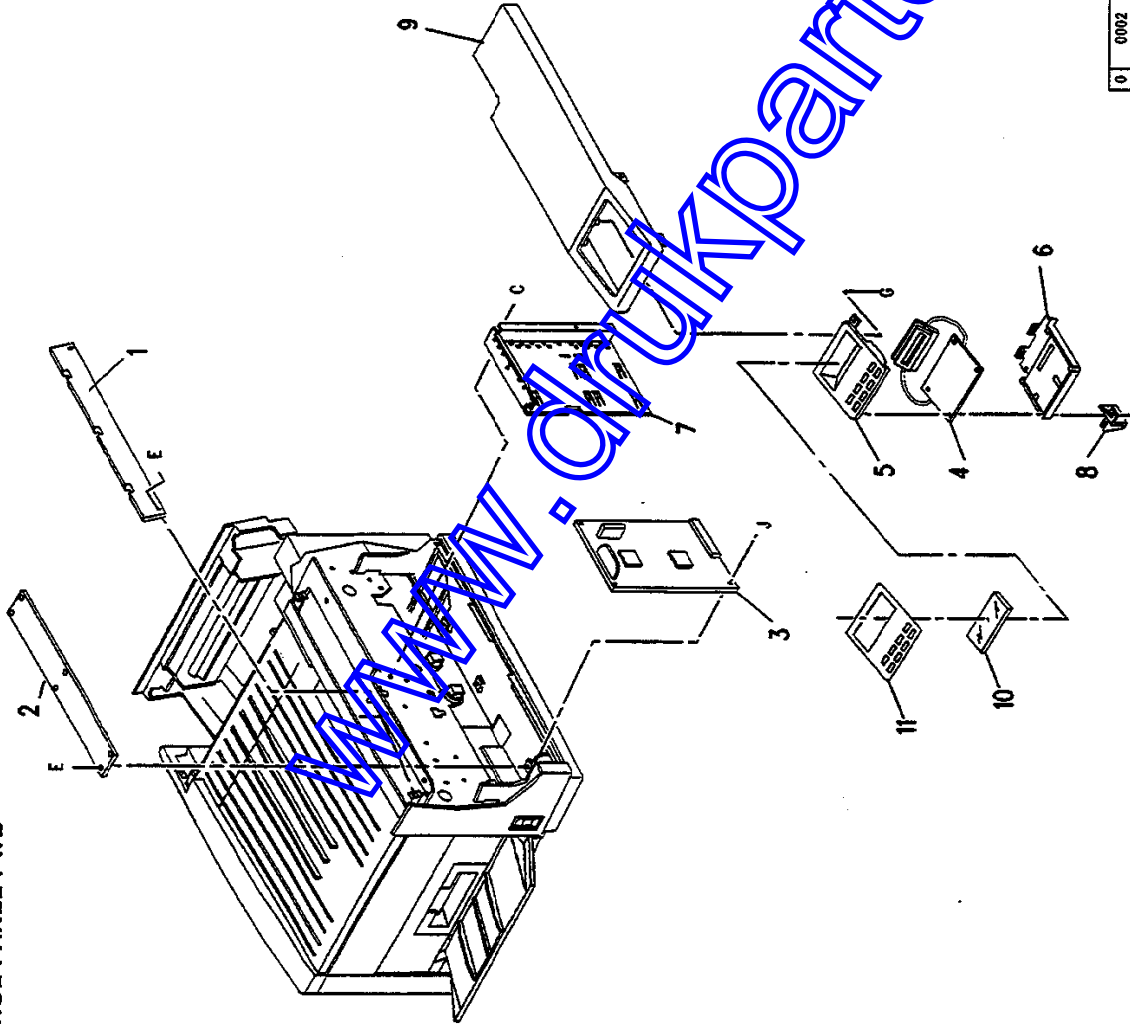
PL 1.1 ELECTRICAL COMPONENTS



ITEM	PART	DESCRIPTION
1	117E13240	POWER CORD (120V)
2	110E6130	ON/OFF SWITCH
3	110E6120	BYPASS TRAY OPEN SWITCH, REPLACE WASTE BOX SWITCH
4	130E6410	TOP COVER, EXIT ASSEMBLY (REAR PANEL), REAR DOOR, SIDE DOOR, PHOTORECEPTOR MODULE
5	105E4230	INTERLOCK SWITCH
		LOW VOLTAGE POWER SUPPLY (LVPS)(60HZ) (4900/4915)(REP 1.1)
	105E4220	LOW VOLTAGE POWER SUPPLY (LVPS)(50HZ) (4900/4915)(REP 1.1)
	105E6450	LOW VOLTAGE POWER SUPPLY (LVPS)(60HZ) (4920/4925)(60HZ)
	105E6460	LOW VOLTAGE POWER SUPPLY (LVPS)(50HZ) (4920/4925)(REP 1.1)
6	--	RIGHT FRONT INNER PANEL (NOT SPARED)
7	--	BRACKET (NOT SPARED)
8	--	BRACKET (NOT SPARED)
9	--	SWITCH COVER/ACTUATOR (NOT SPARED)
10	--	FUSER INTERLOCK SWITCH (NOT SPARED)

0	0001	A
DPL	PL	C 1

PL 3.1 CONNECTION, INPUT/OUTPUT, MAIN CONTROL AND CONTROL PANEL PWB



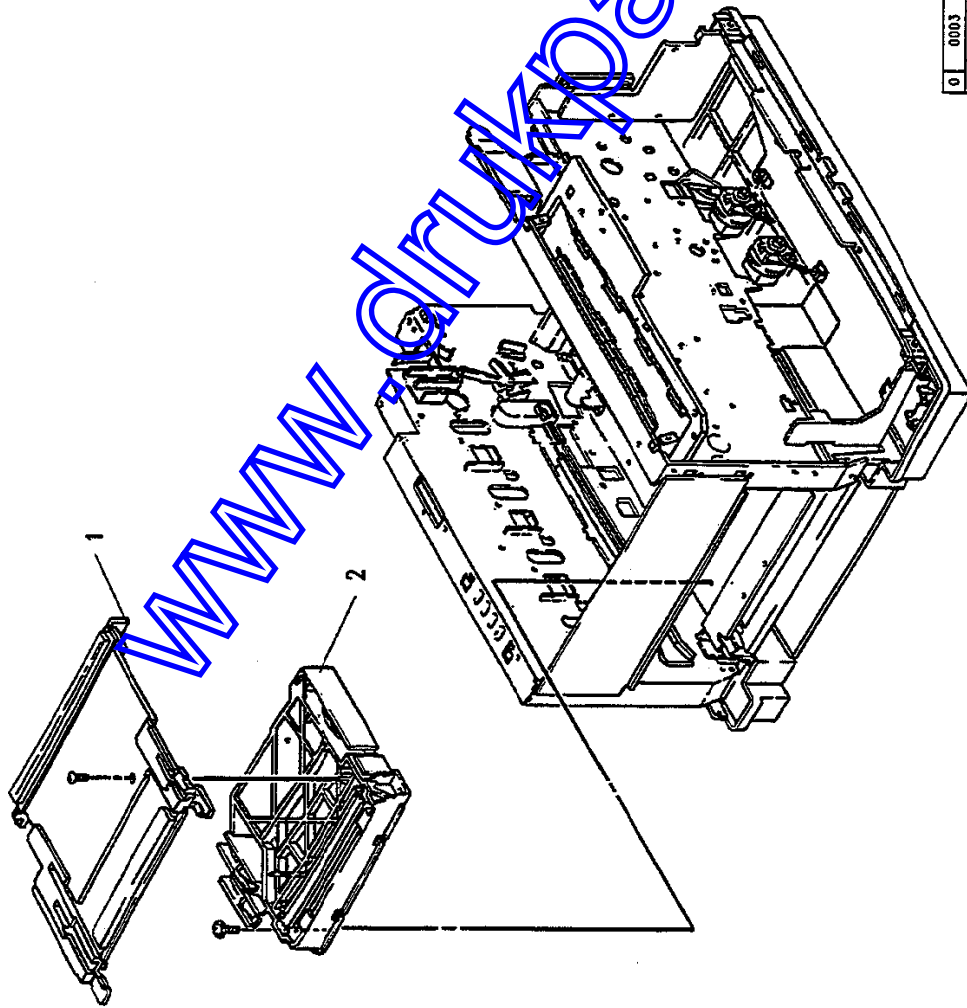
0	0002	B
0PL	PL00	C 1

DESCRIPTION

ITEM	PART	DESCRIPTION
1	140E29040	CONNECTION PWB
2	140E29050	I/O DRIVE PWB
3	140E28950	MAIN CONTROL (MCTL) PWB (4900/4916) (REP 3.1)
-	140E31210	MAIN CONTROL (MCTL) PWB (4920/4925) (REP 3.1)
4	140E28960	CONTROL PANEL PWB (REP 3.2)
5	--	CONTROL PANEL COVER (NOT SPARED)
6	--	CONTROL PANEL BRACKET (NOT SPARED)
7	--	MAIN CONTROL PWB COVER (NOT SPARED)
8	--	GROUND CLIP (NOT SPARED)
9	--	RIGHT TOP COVER (REF PL13.1, ITEM 8)
10	56E3360	CONTROL PANEL BEZEL
11	96E42670	CONTROL PANEL LABEL (4900)
-	96E62870	CONTROL PANEL LABEL (4920)
-	96E62880	CONTROL PANEL LABEL (4925)

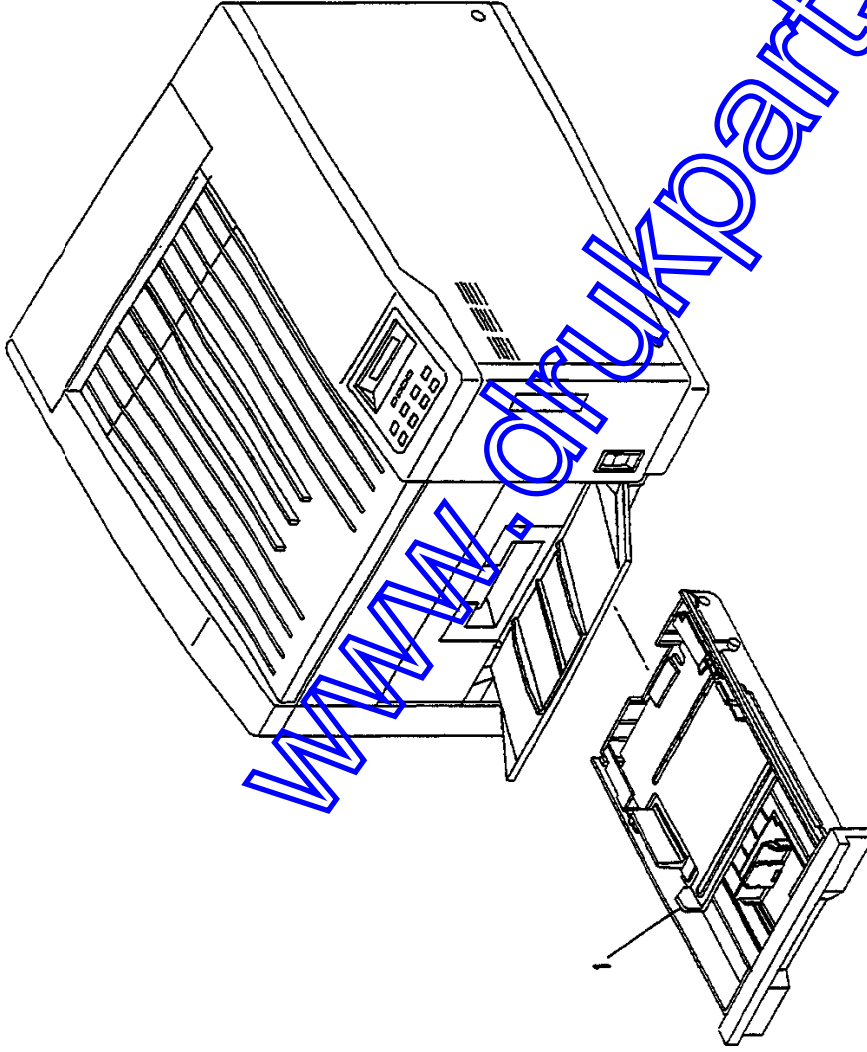
PL 6.1 ROS

ITEM	PART	DESCRIPTION
1	..	ROS COVER (NOT SPARED) (REF PL.9.2B, ITEM 6)
2	62E7030 62E7020	ROS (4900/4915) ROS (4920/4925)



PL 7.1 TRAY

ITEM 1 PART 50E10230 DESCRIPTION TRAY



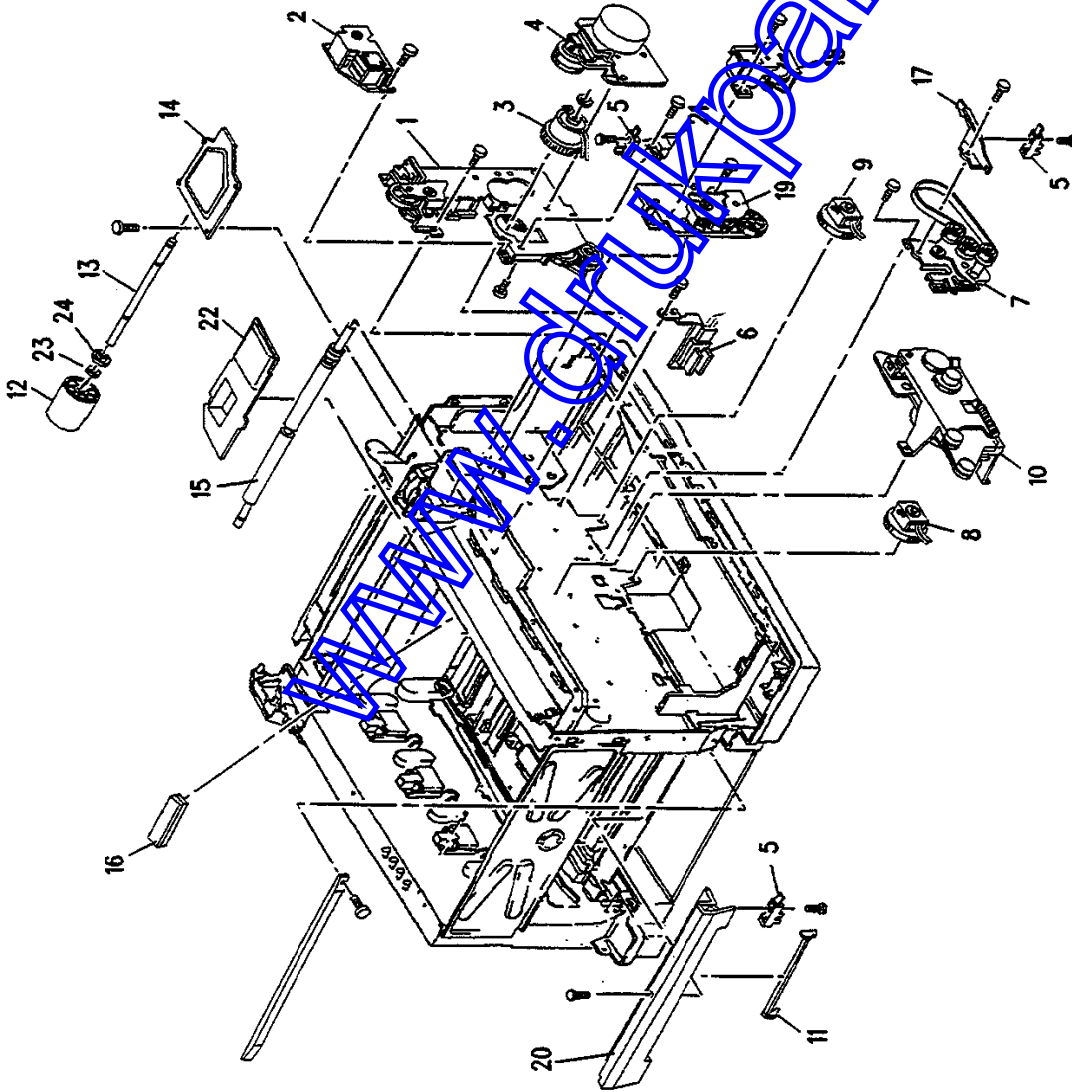
0	0004	A
0PL	PL00	C 1

6/95
5-7

4800/4815/4920/4925

PARTS LIST SECTION
PL 7.1

PL 8.1 PAPER TRANSPORTATION DRIVES/SENSORS

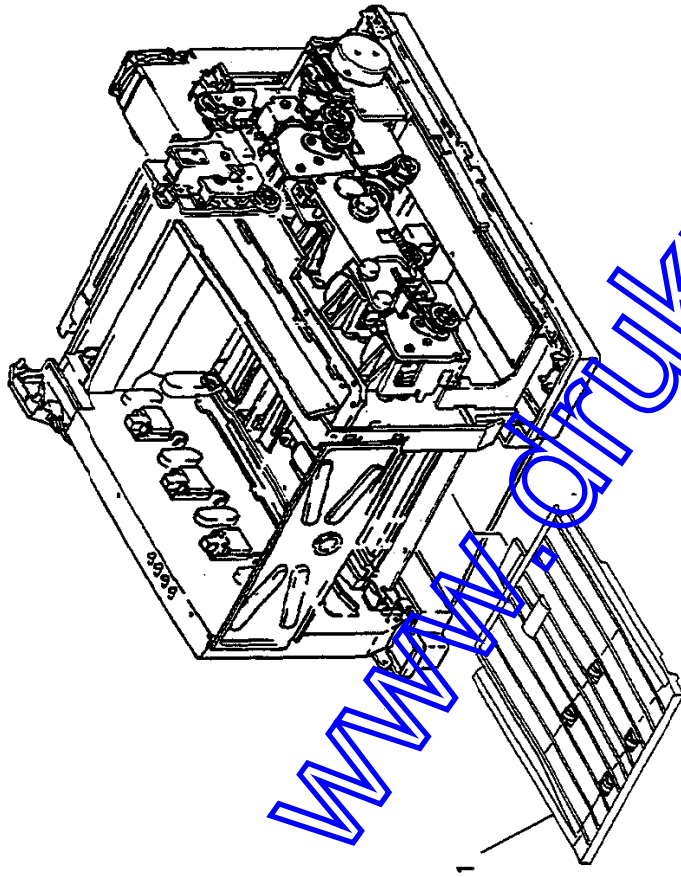


0	0000	B
001	PL00	C 0

ITEM	PART	DESCRIPTION
1	7E27820	PAPER TRANSPORT DRIVE UNIT (4900/4915)
-	7E37380	PAPER TRANSPORT DRIVE UNIT (4920/4925)
2	7E27840	TRANSFER ROLLER CAM DRIVE CLUTCH
3	121E9760	REGISTRATION CLUTCH (4900/4915)
-	121E11250	REGISTRATION CLUTCH (4920/4925)
4	127E8790	PAPER TRANSPORT MOTOR (4900/4915)
-	127E9790	PAPER TRANSPORT MOTOR (4920/4925)
5	130E6430	REGISTRATION, BYPASS PAPER SET, TRAY 1 EMPTY SENSOR
6	130E6400	PAPER SIZE SENSOR
7	7E27850	BYPASS FEED GEAR MODULE
8	121E9770	BYPASS FEED CLUTCH
9	121E9780	TRAY 1 FEED CLUTCH (REP 8.1)
10	--	DEVELOPER MOTOR FRAME ASSEMBLY (REF PL9.3, ITEM 3)
11	11E5280	BYPASS PAPER SET SENSOR ACTUATOR
12	22E15070	FEED ROLLER
13	--	PAPER FEED SHAFT (NOT SPARED)
14	--	COVER (NOT SPARED)
15	22E15080	REGISTRATION ROLLER (4900/4915)
-	22E16870	REGISTRATION ROLLER (4920/4925)
16	19E25310	RETARD PAD
17	--	PAPER SENSOR BRACKET (NOT SPARED)
18	121E9750	DRUM CLEANER CAM DRIVE CLUTCH
19	7E27330	(REF PL9.3, ITEM 5) DRUM CLEANER DRIVE UNIT (REF PL9.3, ITEM 6) COVER (NOT SPARED)
20	--	SENSOR BRACKET (NOT SPARED)
21	--	FEED ROLLER COVER (NOT SPARED)
22	--	FEED ROLLER COVER (NOT SPARED)
23	--	RETAINING RING (NOT SPARED)
24	--	PAPER FEED SHAFT BEARING (NOT SPARED)

PL 8.2 BYPASS FEED GUIDE

ITEM 1 PART 55E28230 DESCRIPTION
BYPASS FEED GUIDE



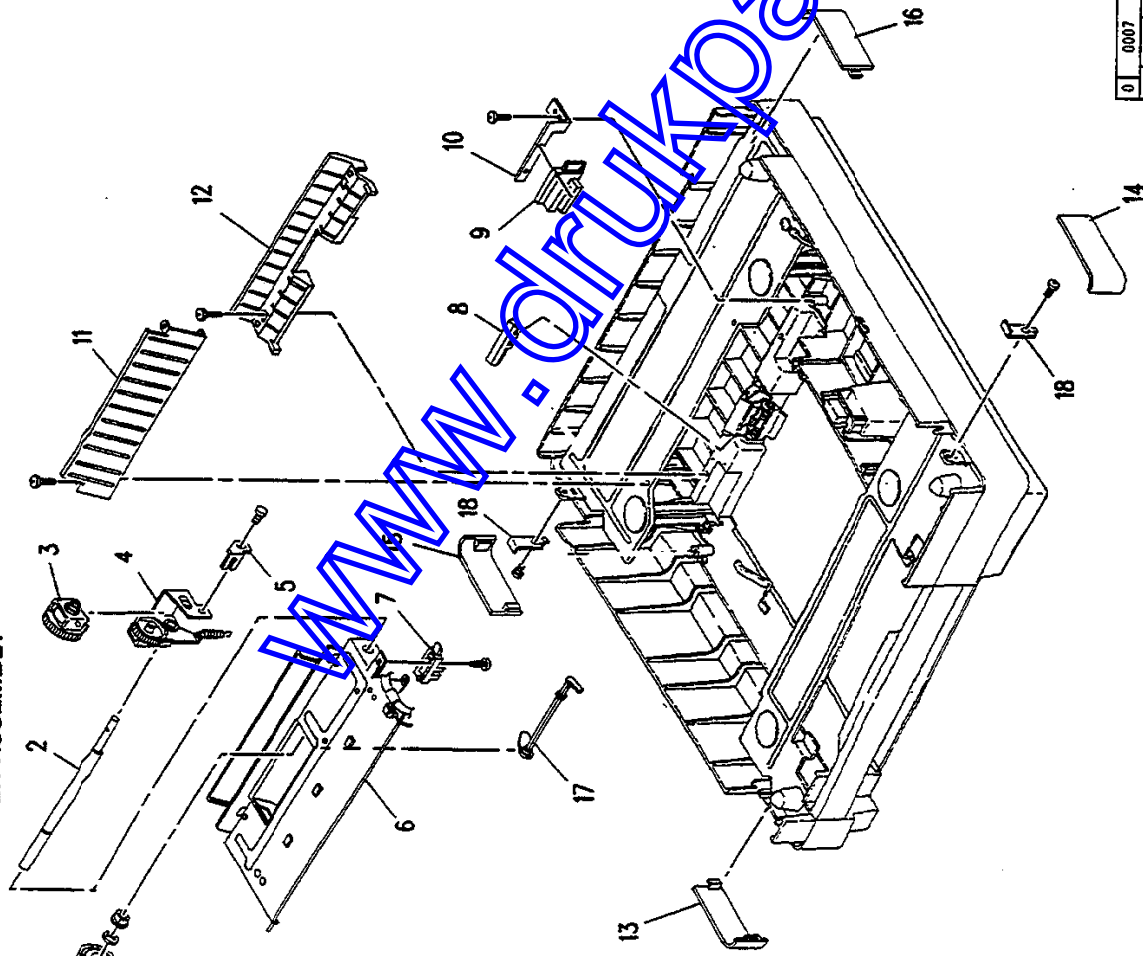
Q	0006	B
APL	PL08	C O

6/95
5-9

4900/4916/4920/4925

PARTS LIST SECTION
PL 8.2

PL 8.3 TRAY 2 FEEDER ASSEMBLY



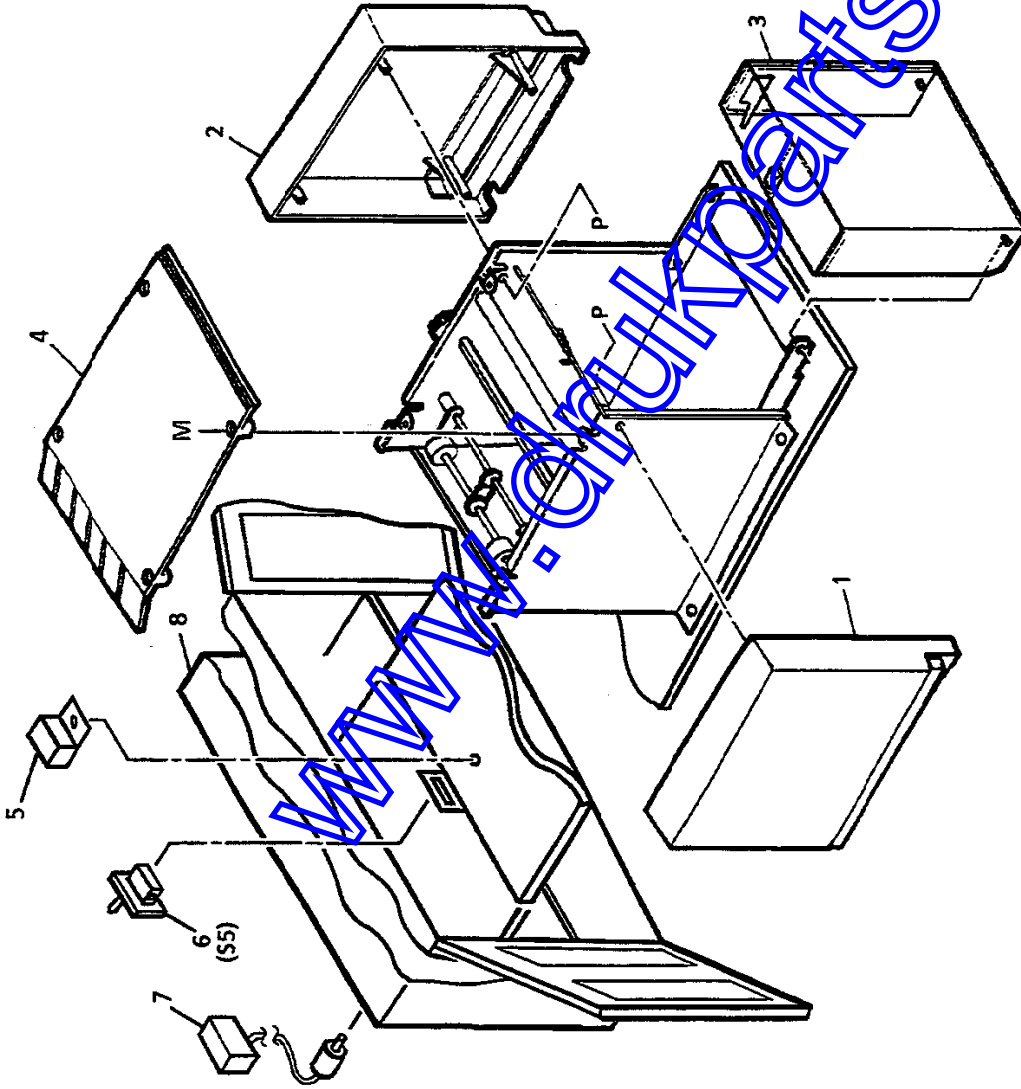
0	0007	A
OP	PL09	C 01

ITEM	PART	DESCRIPTION
1	22E15070	FEED ROLLER
2	--	PAPER FEED ROLLER SHAFT (NOT SPARED)
3	--	PAPER FEED CLUTCH (TO BE AVAILABLE AT LATER DATE)
4	--	DRIVES BRACKET (NOT SPARED)
5	--	CLUTCH STOP BRACKET (NOT SPARED)
6	--	FEED SHAFT SUPPORT (NOT SPARED)
7	130E6430	TRAY 2 EMPTY SENSOR
8	19E25310	RETARD PAD
9	130E6400	PAPER SIZE SENSOR
10	--	PAPER SIZE SENSOR BRACKET (NOT SPARED)
11	--	PAPER GUIDE (NOT SPARED)
12	--	PAPER GUIDE (NOT SPARED)
13	--	LEFT FRONT CORNER COVER (NOT SPARED)
14	--	RIGHT FRONT CORNER COVER (NOT SPARED)
15	--	LEFT REAR CORNER COVER (NOT SPARED)
16	--	RIGHT REAR CORNER COVER (NOT SPARED)
17	--	PAPER FEED SENSOR ACTUATOR (NOT SPARED)
18	--	TRAY 2 FEEDER ANCHOR BRACKET (NOT SPARED)

www.druckparts.pl

PL 8.4 HCF COVERS, POWER SUPPLY AND FEEDER SLIDE/PAPER SIZE SWITCH

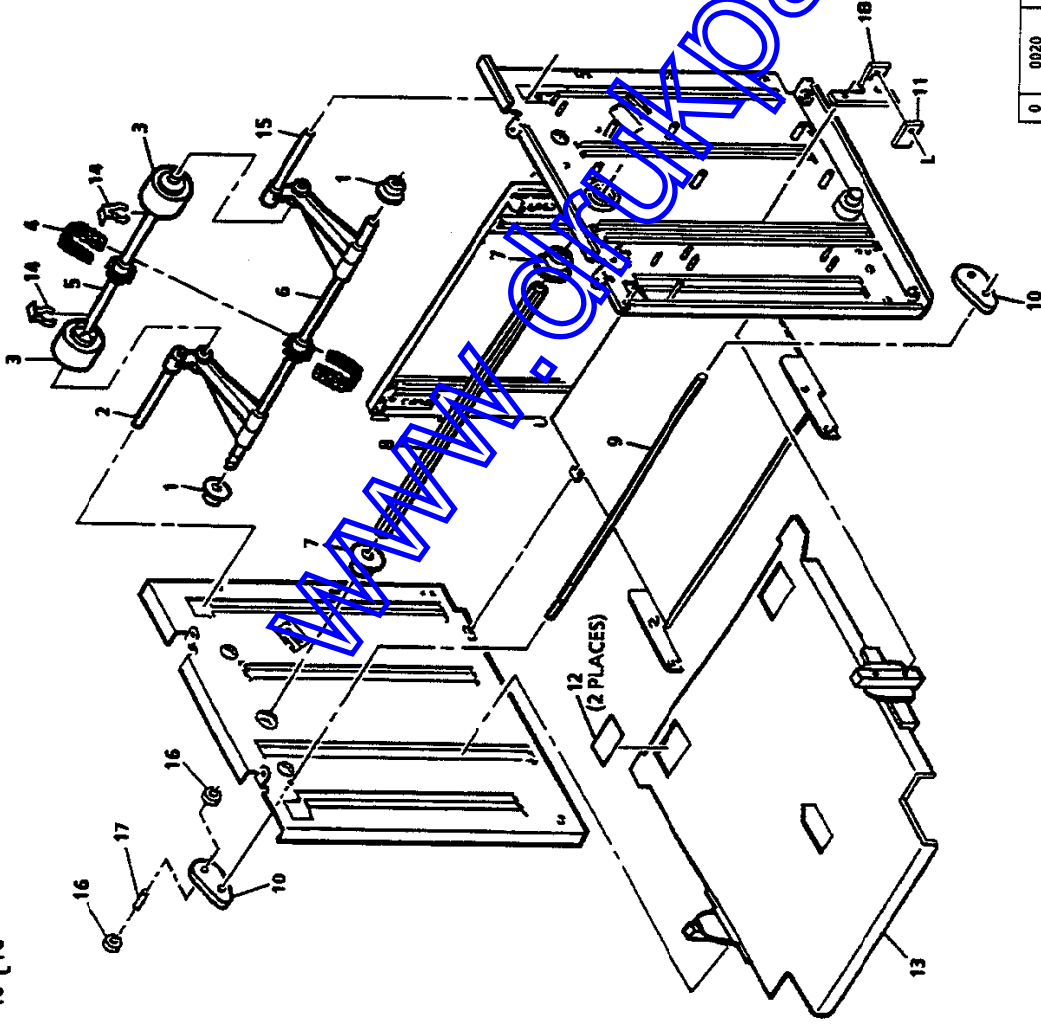
ITEM	PART	DESCRIPTION
1	--	LEFT SIDE COVER (NOT SPARED)(REP 8.16)
2	--	RIGHT SIDE COVER (NOT SPARED)(REP 8.17)
3	48E32850	ELEVATOR DOOR (8 1/2 X 11)
-	48E32860	ELEVATOR DOOR (A4)
4	48E32870	TOP COVER (8 1/2 X 11)
-	48E32880	TOP COVER (A4)
5	--	SWITCH COVER (NOT SPARED)
6	110E4920	FEEDER SLIDE/PAPER SIZE SWITCH (S5)
7	105K13310	12.5 VDC POWER SUPPLY (60HZ)
-	105K13320	12.5 VDC POWER SUPPLY (50HZ)
8	--	CABINET (NOT SPARED)



0	0019	A
CPL	PL00	X 0

PL 8.5 HCF ELEVATOR AND FEED SHAFTS

13 { 18



DESCRIPTION

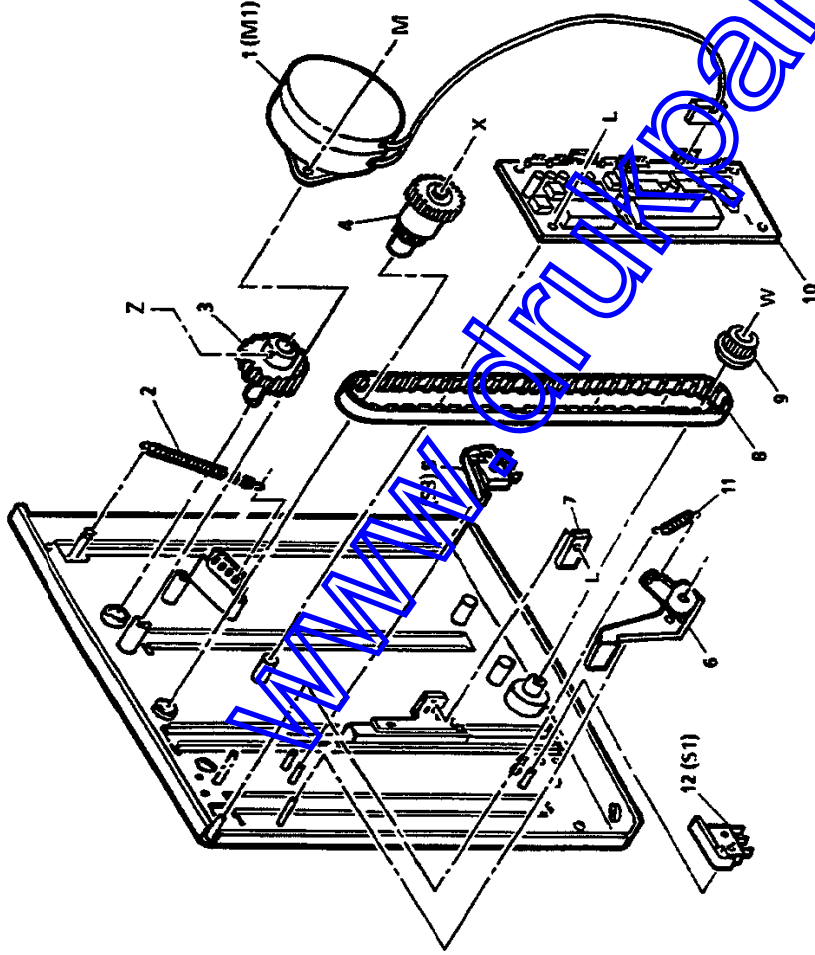
- BEARING (NOT SPARED)
- LEFT FEED ROLL ARM (NOT SPARED)
- FEED ROLL (REP 8.11)
- FEED ROLL DRIVE CHAIN (REP 8.4)
- FEED SHAFT (8 1/2 X 11)
- FEED SHAFT (A4)
- DRIVE SHAFT (8 1/2 X 11)
- DRIVE SHAFT (A4)
- BEARING (NOT SPARED)
- ELEVATOR SHAFT (NOT SPARED)
- TRAY EMPTY SHAFT (NOT SPARED)
- TRAY EMPTY ACTUATOR ARM
- BELT CLAMP (NOT SPARED)
- CORK PAD
- ELEVATOR TRAY ASSEMBLY (8 1/2 X 11)(REP 8.5)
- ELEVATOR TRAY ASSEMBLY (A4)(REP 8.5)
- RETAINER
- RIGHT FEED ROLL ARM (NOT SPARED)
- WEIGHT (NOT SPARED)
- PIN (NOT SPARED)
- BELT BRACKET (NOT SPARED)

ITEM PART

- 1 ..
- 2 ..
- 3 22K18830
- 4 23E6680
- 5 6K9950
- 6 6K9970
- 6 6K9940
- 6 6K9960
- 7 ..
- 8 ..
- 9 ..
- 10 120E6491
- 11 ..
- 12 19E17160
- 13 50K12320
- 50K12330
- 14 19E21070
- 15 ..
- 16 ..
- 17 ..
- 18 ..

PL 8.6 HCF FEED DRIVE AND PWB

ITEM	PART	DESCRIPTION
1	127K9100	PAPER FEED MOTOR (M1)(REP 8.12)
2	9E32840	FEED ROLL TENSION SPRING
3	--	GEAR (44 TEETH) (NOT SPARED)
4	7E26660	GEAR PULLEY (12 GROVES/28TEETH)
5	110E4570	ELEVATOR DOOR INTERLOCK SWITCH (S3)(REP 8.3)
6	120E5680	SWITCH ACTUATOR
7	--	BELT CLAMP (NOT SPARED)
8	23E6690	RIGHT DRIVE BELT (REP 8.10)
9	--	LOWER PULLEY (NOT SPARED)
10	160K16890	HCF PWB (REP 8.14)
11	9E41270	SPRING
12	110E4560	LOWER LIMIT SWITCH (S1)(REP 8.8)



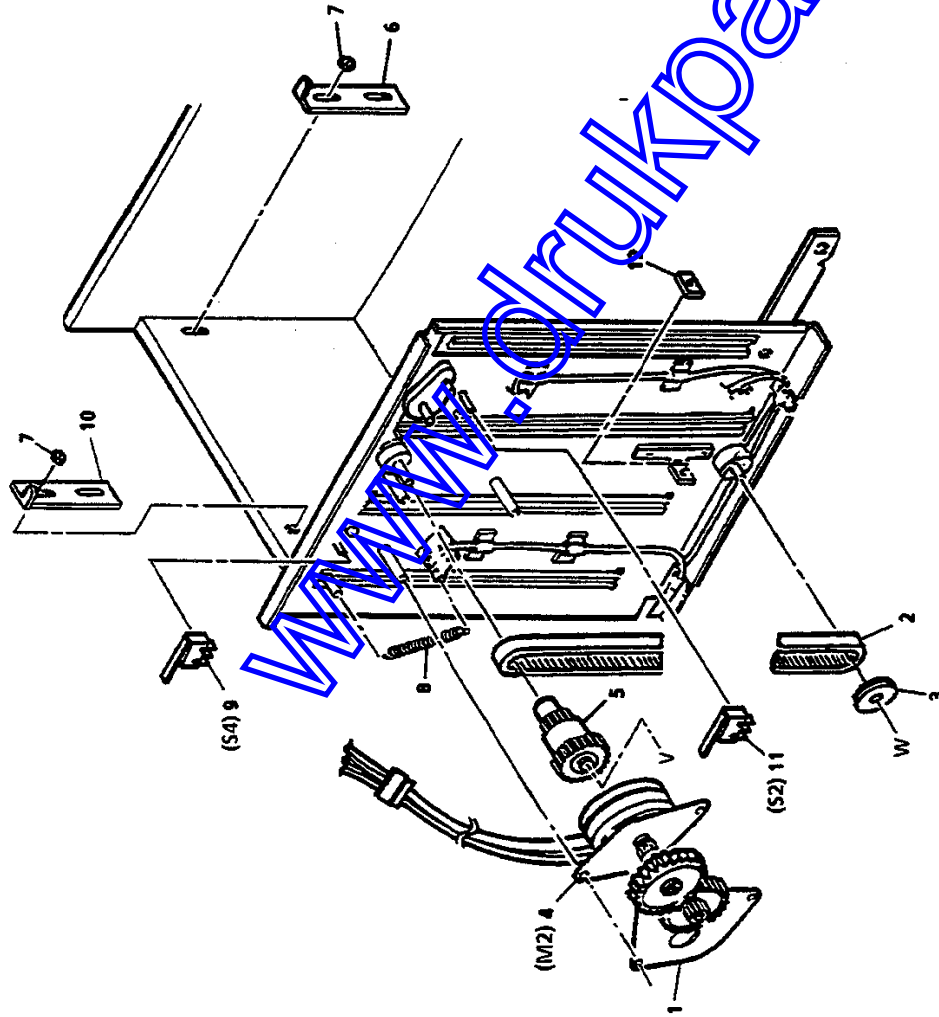
0	0021	A
...	PL00	X 1

10/95
5-10C

4900/4915/4920/4925

PARTS LIST SECTION
PL 8.6

PL 8.7 HCF ELEVATOR DRIVE



ITEM	PART	DESCRIPTION
1	7K7440	GEAR TRAIN
2	23E6690	LEFT DRIVE BELT (REP 8.10)
3	--	PULLEY (10 GROOVES) (NOT SPARED)
4	127K9080	ELEVATOR MOTOR (M2)(REP 8.6)
5	7E26660	GEAR PULLEY (12 GROOVES/28 TEETH)
6	19E17190	RIGHT CORNER SNUBBER (REP 8.9)
7	27E2140	SNUBBER NUT
8	9E32840	FEED ROLL TENSION SPRING
9	110E4560	UPPER LIMIT SWITCH (S4)(REP 8.7)
10	19E17200	LEFT CORNER SNUBBER (REP 8.9)
11	110K5151	TRAY EMPTY SWITCH (S2)(REP 8.13)
12	--	BELT CLAMP (NOT SPARED)

0	0022	A
OPL	PL00	X I

PARTS LIST SECTION

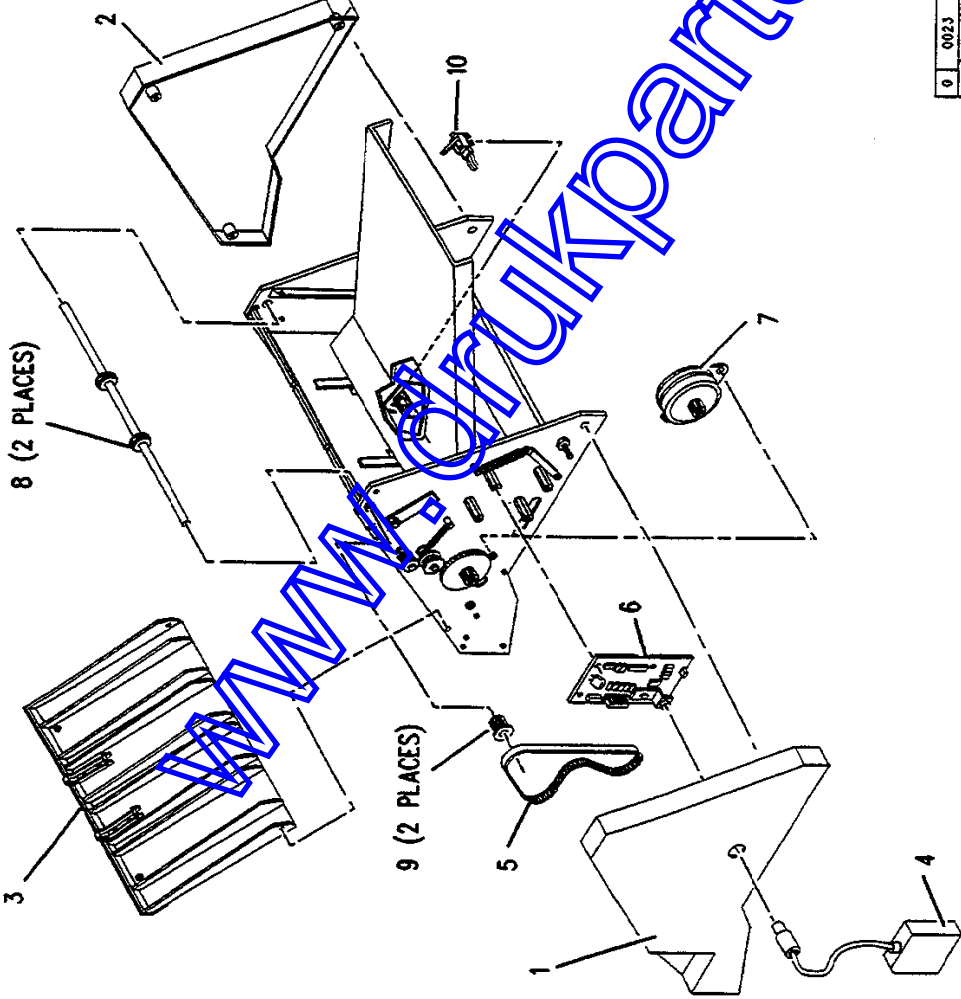
PL 8.7

10/95
5-10D

4900/4915/4920/4925

PL 8.8 HCS COMPONENTS

ITEM	PART	DESCRIPTION
1	--	LEFT SIDE COVER (NOT SPARED)
2	--	RIGHT SIDE COVER (NOT SPARED)
3	--	ACCFSS DOOR (NOT SPARED)
4	105K13330	12.5 VDC POWER SUPPLY (60HZ)
-	105K13320	12.5 VDC POWER SUPPLY (50HZ)
5	23E14130	DRIVE BELT
6	160K23550	HCS PWB
7	110E7190	HCS PAPER SENSOR



0	0023	A
OPL	PL	C 00

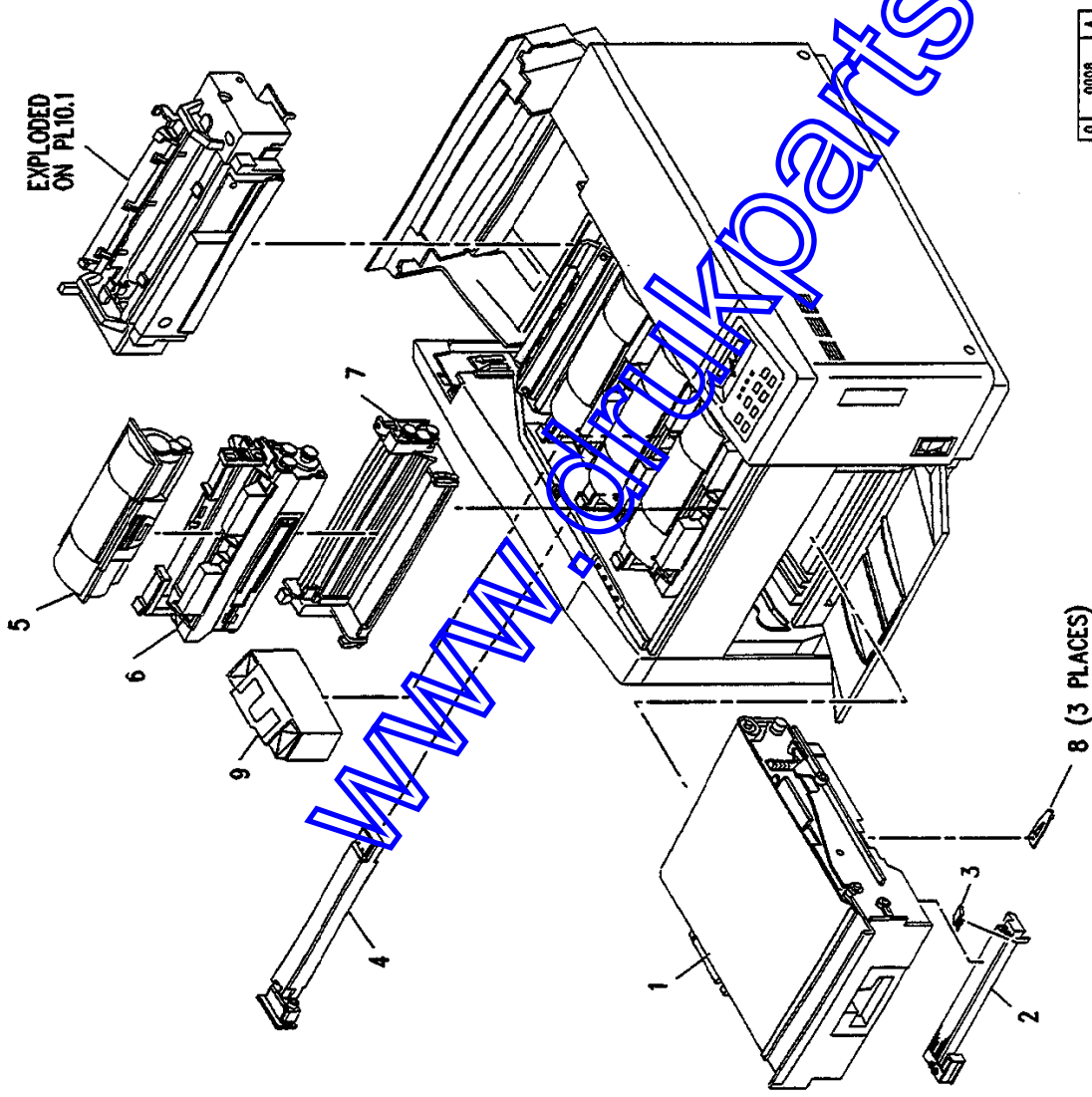
4900/4915/4920/4926

10/95
5-10E

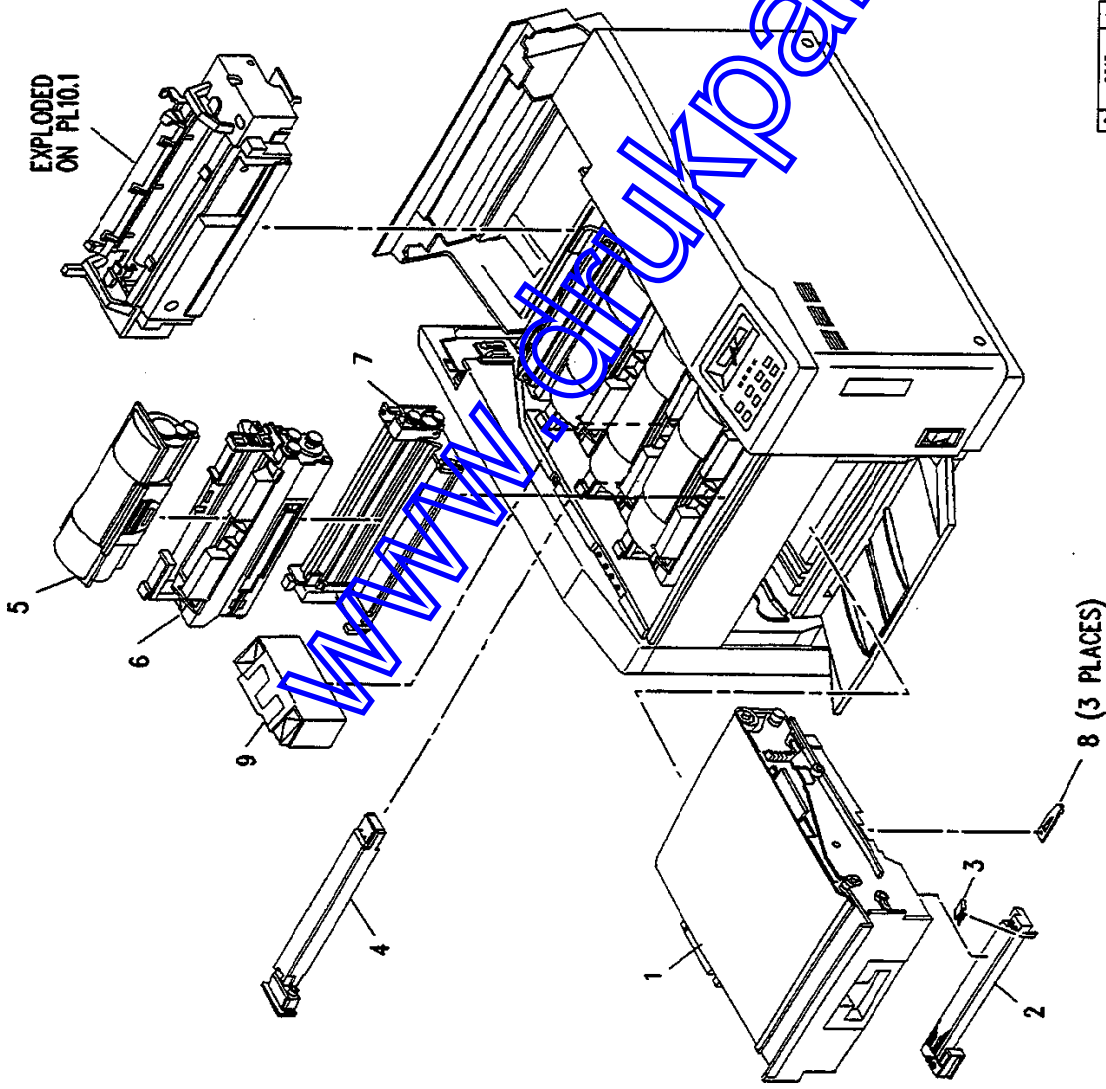
PARTS LIST SECTION
PL 8.8

PL 9.1A XEROGRAPHIC COMPONENTS (4900/4915): PART 1 OF 4

ITEM	PART	DESCRIPTION
1	13R89	PHOTORECEPTOR MODULE (120V) (REP 9.3)
-	13R90	PHOTORECEPTOR MODULE (220V-240V) (REP 9.3)
2	125E1800	CHARGE SCOROTRON
3	119E3890	BELT BIAS BRUSH
4	125E1810	PRETRANSFER SCOROTRON (REP 9.6)
5	6R746	DRY INK (TONER) CARTRIDGE
-	6R747	(Y)(120V)(REP 9.1)
-	6R748	(M)(120V)(REP 9.1)
-	6R745	(C)(120V)(REP 9.1)
-	6R90220	(K)(120V)(REP 9.1)
-	6R90221	(Y)(220V-240V)(REP 9.1)
-	6R90222	(M)(220V-240V)(REP 9.1)
-	6R90219	(C)(220V-240V)(REP 9.1)
6	5R330	DEVELOPER CARTRIDGE
-	5R331	(Y)(120V)(REP 9.2)
-	5R332	(M)(120V)(REP 9.2)
-	5R329	(C)(120V)(REP 9.2)
-	5R90195	(K)(120V)(REP 9.2)
-	5R90196	(Y)(220V-240V)(REP 9.2)
-	5R90197	(M)(220V-240V)(REP 9.2)
-	5R90194	(C)(220V-240V)(REP 9.2)
7	22E14980	MAGNETIC ROLLER
-	22E14990	UNIT (Y)
-	22E15000	MAGNETIC ROLLER UNIT (M)
-	22E15010	MAGNETIC ROLLER UNIT (C)
-	22E15010	MAGNETIC ROLLER UNIT (K)
8	..	CHARGE SCOROTRON CLIP (NOT SPARED)
9	8R4098	WASTE BOX (120V) (REP 9.4)
-	8R4099	WASTE BOX (220V-240V) (REP 9.4)



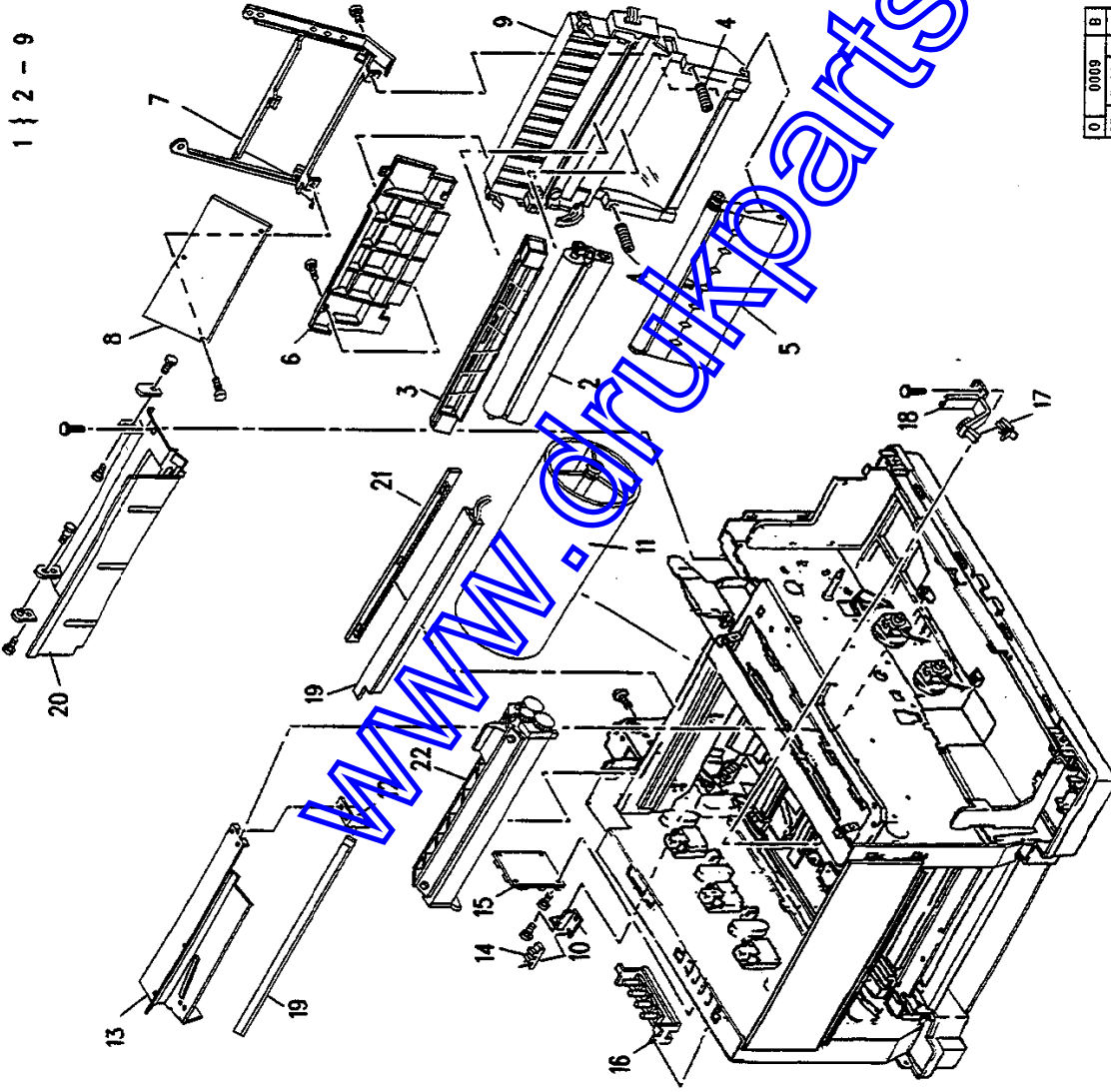
PL 9.1B XEROGRAPHIC COMPONENTS (4920/4925): PART 2 OF 4



ITEM	PART	DESCRIPTION
1	13R530	PHOTORECEPTOR MODULE (120V) (REP 9.3)
-	13R531	PHOTORECEPTOR MODULE (220V-240V) (REP 9.3)
2	125E2090	CHARGE SCOROTRON
3	115E3890	BELT BIAS BRUSH
4	125E1810	PRETRANSFER SCOROTRON (REP 9.6)
5	6R830	DRY INK (TONER) CARTRIDGE
-	6R831	(Y)(120V)(REP 9.1)
-	6R832	(M)(120V)(REP 9.1)
-	6R829	(C)(120V)(REP 9.1)
-	6R90240	(K)(120V)(REP 9.1)
-	6R90239	(Y)(220V-240V)(REP 9.1)
-	6R90238	(M)(220V-240V)(REP 9.1)
-	6R90237	(C)(220V-240V)(REP 9.1)
6	5R578	(K)(220V-240V)(REP 9.1) DEVELOPER CARTRIDGE
-	5R580	(Y)(120V)(REP 9.2)
-	5R581	(M)(120V)(REP 9.2)
-	5R578	(C)(120V)(REP 9.2)
-	5R90207	(K)(120V)(REP 9.2)
-	5R90206	(Y)(220V-240V)(REP 9.2)
-	5R90205	(M)(220V-240V)(REP 9.2)
-	5R90204	(C)(220V-240V)(REP 9.2)
7	22E16830	(K)(220V-240V)(REP 9.2) MAGNETIC ROLLER UNIT (Y)
-	22E16840	MAGNETIC ROLLER UNIT (M)
-	22E16850	MAGNETIC ROLLER UNIT (C)
-	22E16860	MAGNETIC ROLLER UNIT (K)
8	-	CHARGE SCOROTRON CLIP (NOT SPARED)
-	8R4098	WASTE BOX (120V) (REP 9.4)
-	8R4099	WASTE BOX (220V-240V) (REP 9.4)

Q	0017	A
UPL	PL00	C 0

PL 9.2A XEROGRAPHIC COMPONENTS: PART 3 OF 4



1 { 2 - 9

ITEM	PART	DESCRIPTION
1	22E15060	TRANSFER UNIT ASSEMBLY (4900/4915)
-	22E16920	TRANSFER UNIT ASSEMBLY (4920/4925)
2	22E15050	TRANSFER ROLLER (REP 9.8)
3	125E1820	DETACK COROTRON (REP 9.7)
4	--	TRANSFER UNIT SPRING (P/O ITEM 1)
5	--	TRANSFER UNIT BAFFLE (P/O ITEM 1)
6	--	POWER SUPPLY COVER (P/O ITEM 1)
7	--	TRANSFER UNIT FRAME (P/O ITEM 1)
8	112E350	HIGH VOLTAGE POWER SUPPLY (HVPS 2) (REP 9.9)
9	--	TRANSFER UNIT FRAME (P/O ITEM 1)
10	--	SENSOR BRACKET (NOT SPARED)
11	20E20420	TRANSFER DRUM (4900/4915)
-	20E23640	TRANSFER DRUM (4920/4925)
12	--	ERASE LAMP BRACKET (NOT SPARED)
13	--	SHIELD (NOT SPARED)
14	130E6430	DRUM ENCODER SENSOR
15	112E360	HIGH VOLTAGE POWER SUPPLY (HVPS 1) (4900/4915) (REP 9.11)
-	112E390	HIGH VOLTAGE POWER SUPPLY (HVPS 1) (4920/4925) (REP 9.11)
16	140E29030	COLOR BALANCE PWB (REP 9.10, ADJ 9.1)
17	130E6420	BELT SENSOR
18	--	BELT SENSOR BRACKET (NOT SPARED)
19	122E1720	ERASE LAMP (PRECLEAN)
20	--	ERASE LAMP (PRETRANSFER)
21	--	BRACKET (NOT SPARED)
22	42E940	TRANSFER DRUM CLEANER

0	0009	B
0P1	PL00	C 1

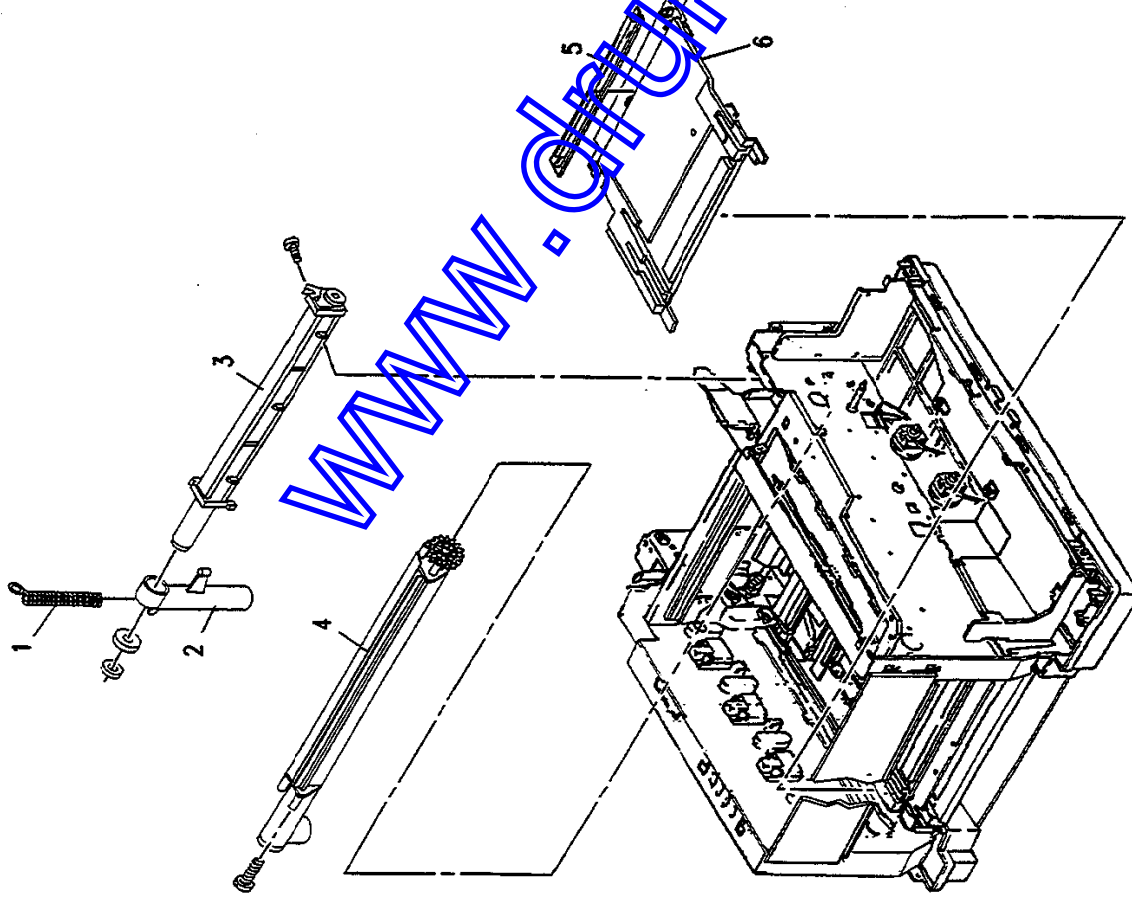
6/85
5-13

4900/4915/4920/4925

PARTS LIST SECTION
PL 9.2A

PL 9.2B XEROGRAPHIC COMPONENTS: PART 4 OF 4

ITEM	PART	DESCRIPTION
1	..	DROP TUBE SPRING (NOT SPARED)
2	..	DRUM CLEANER DROP TUBE (NOT SPARED)
3	7K8480	DRUM CLEANER AUGER
4	7K8490	OPC CLEANER AUGER
5	122E1720	ERASE LAMP (PRECHARGE)
6	..	ROS COVER (NOT SPARED) (REF PL6.1, ITEM 1)



www.drukparts.pl

0	0018	A
0PL	PL00	C I

PARTS LIST SECTION

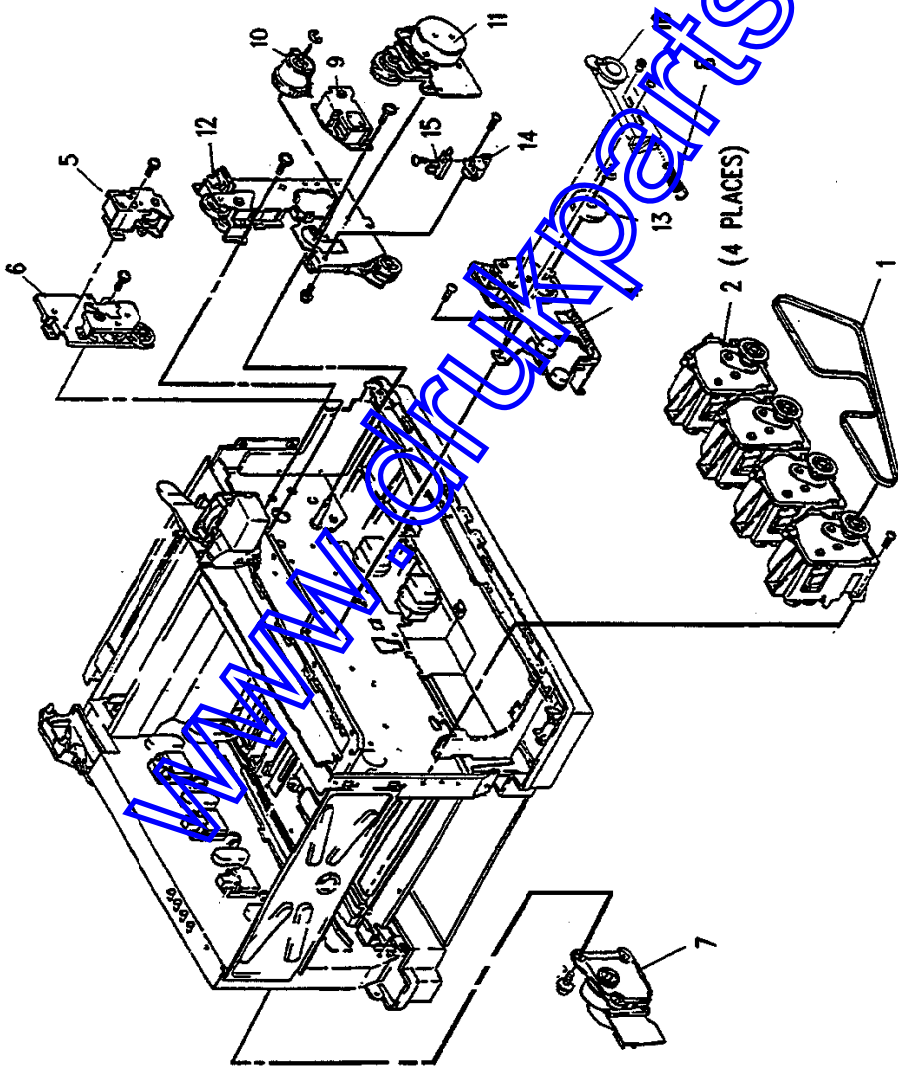
PL 9.2B

6/95
5-14

4900/4915/4920/4925

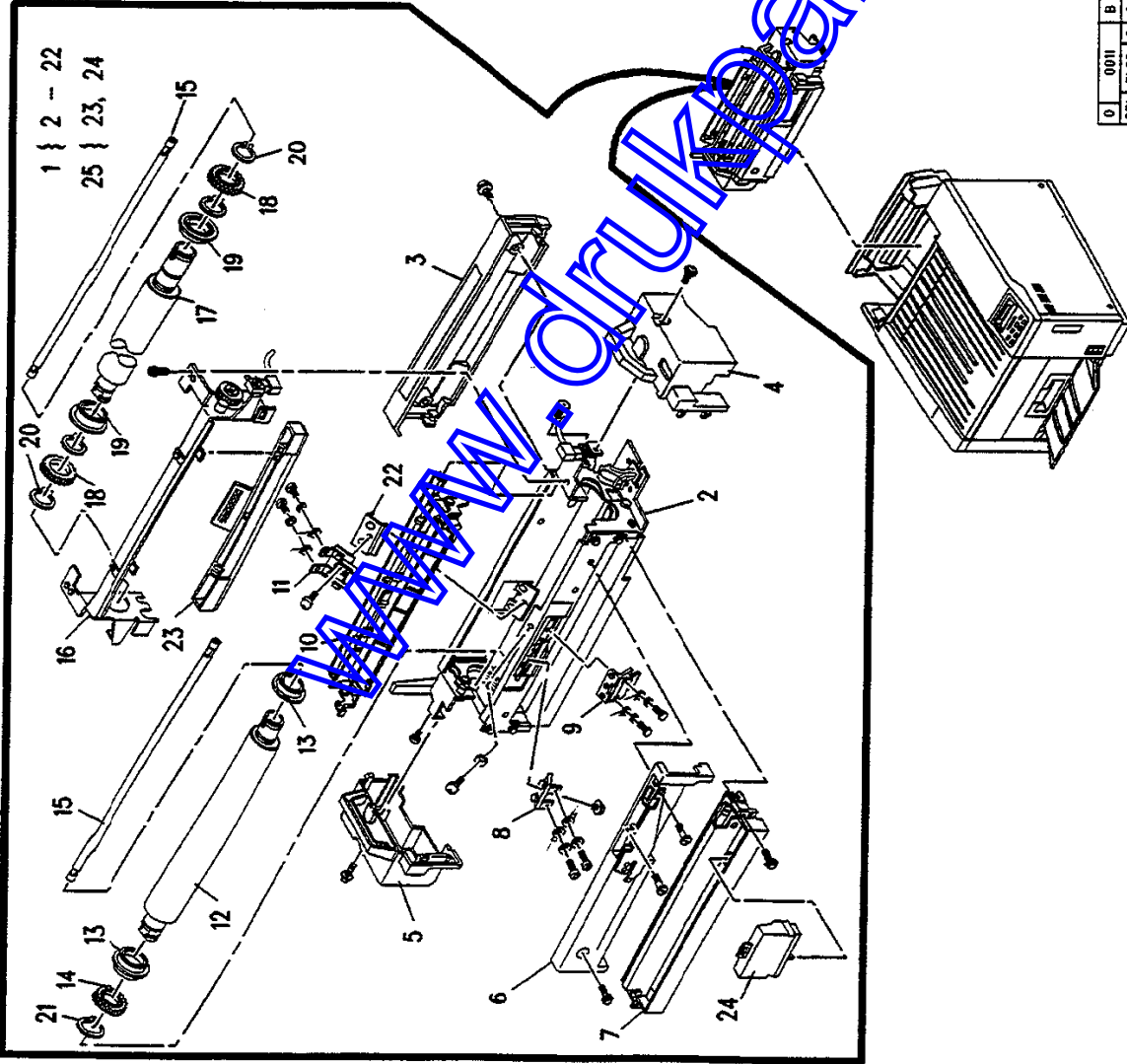
PL 9.3 XEROGRAPHIC DRIVES

3 { 4, 8, 16



ITEM	PART	DESCRIPTION
1	23E11310	DEVELOPER DRIVE BELT
2	7E27810	DEVELOPER DRIVE UNIT
3	1E30480	DEVELOPER MOTOR FRAME ASSEMBLY (4900/4915)
-	1E35220	DEVELOPER MOTOR FRAME ASSEMBLY (4920/4925)
4	127E8820	DEVELOPER DRIVE MOTOR (4900/4915)
-	127E9780	DEVELOPER DRIVE MOTOR (4920/4925)
5	121E9750	DRUM CLEANER CAM DRIVE CLUTCH (REF PL8.1, ITEM 18)
6	7E27830	DRUM CLEANER DRIVE UNIT (REF PL8.1, ITEM 19)
7	127E8831	PHOTORECEPTOR DRIVE MOTOR (4900/4915)
-	127E9800	PHOTORECEPTOR DRIVE MOTOR (4920/4925)
8	--	BELT IDLER ROLL SPRING (P/O ITEM 3)
9	--	TRANSFER ROLLER CAM DRIVE CLUTCH (REF PL8.1, ITEM 2)
10	--	REGISTRATION CLUTCH (REF PL8.1, ITEM 3)
11	--	PAPER TRANSPORT MOTOR (REF PL8.1, ITEM 4)
12	--	PAPER TRANSPORT DRIVE UNIT (REF PL8.1, ITEM 1)
13	--	IDLER GEAR (NOT SPARED)
14	--	SENSOR BRACKET (NOT SPARED)
15	--	REGISTRATION SENSOR (REF PL8.1, ITEM 5)
16	--	BELT IDLER ROLL (P/O ITEM 3)

PL 10.1 FUSER MODULE

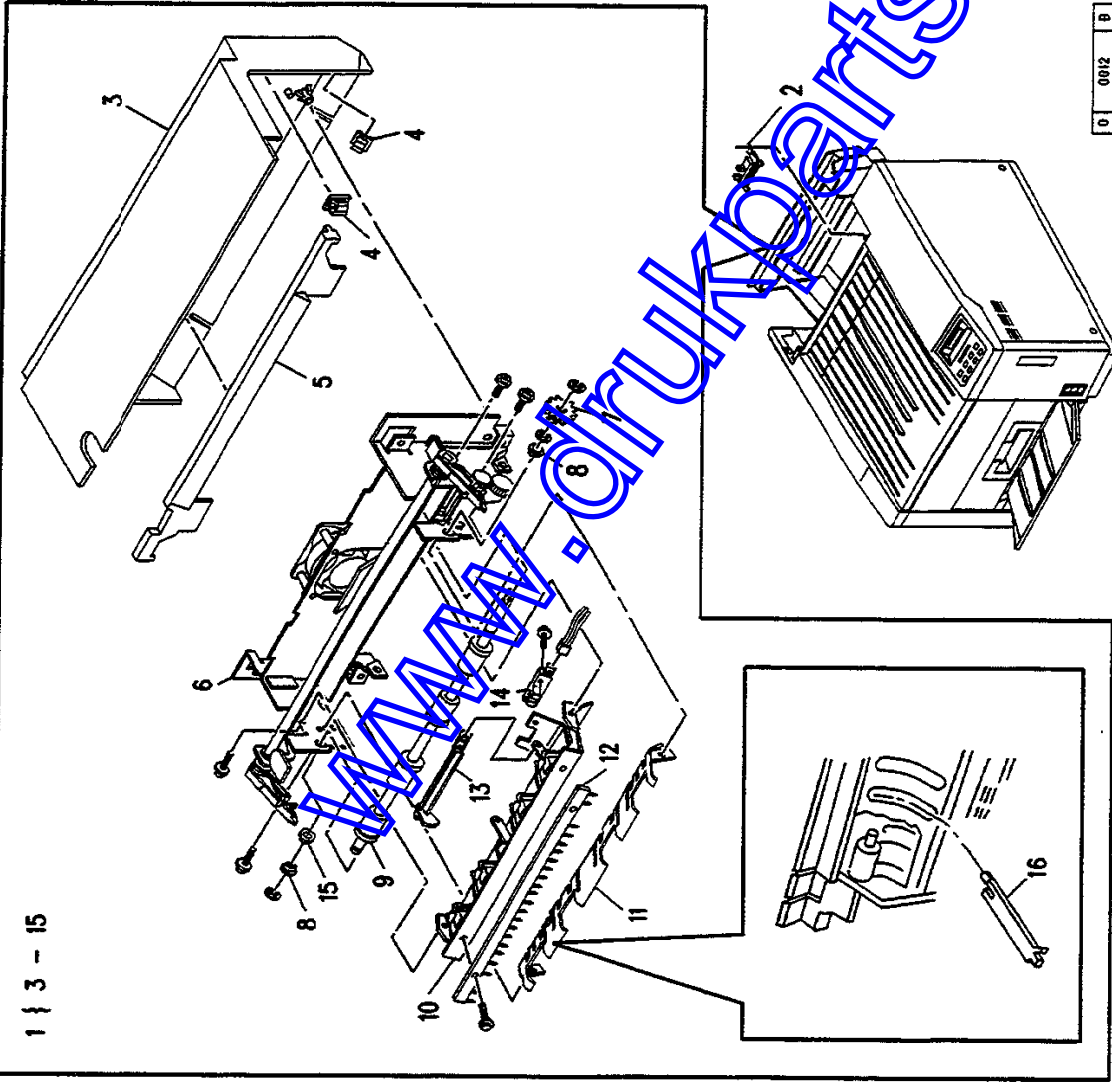


0	0011	B
0PL	PL00	C 0

ITEM	PART	DESCRIPTION
1	8F7654	FUSER MODULE(120V) (REP 10.1) (W/TAG 6)
-	8F7655	FUSER MODULE(220V-240V) (REP 10.1) (W/TAG 6)
2	--	FUSER (P/O ITEM 1)
3	--	REAR COVER (P/O ITEM 1)
4	--	RIGHT COVER (P/O ITEM 1)
5	--	LEFT COVER (P/O ITEM 1)
6	--	FRONT COVER (P/O ITEM 1)
7	--	SUMP (P/O ITEM 1)
8	--	FUSER ROLL THERMAL FUSE (P/O ITEM 1)
9	--	THERMISTOR (P/O ITEM 1)
10	--	FUSER EXIT GUIDE (P/O ITEM 1)
11	--	PRESSURE ROLL THERMAL FUSE (P/O ITEM 1)
12	--	PRESSURE ROLL (P/O ITEM 1)
13	--	PRESSURE ROLL BEARING (P/O ITEM 1)
14	--	PRESSURE ROLL GEAR (P/O ITEM 1)
15	--	HEAT ROD (P/O ITEM 1)
16	--	FUSER ROLL BRACKET (P/O ITEM 1)
17	--	FUSER ROLL (P/O ITEM 1)
18	--	FUSER ROLL GEAR (P/O ITEM 1)
19	--	FUSER ROLL BEARING (P/O ITEM 1)
20	--	RETAINING RING (P/O ITEM 1)
21	--	RETAINING RING (P/O ITEM 1)
22	--	THERMAL FUSE BRACKET (P/O ITEM 1)
23	--	CLEANING PAD (P/O ITEM 25)
24	--	OIL BOTTLE (P/O ITEM 25)
25	8F4196	OIL BOTTLE/CLEANING PAD (120V)
-	8R4097	OIL BOTTLE/CLEANING PAD (220V-240V) (REP 10.2)

PL 10.2 EXIT ASSEMBLY, OIL SENSOR

1 { 3 - 15



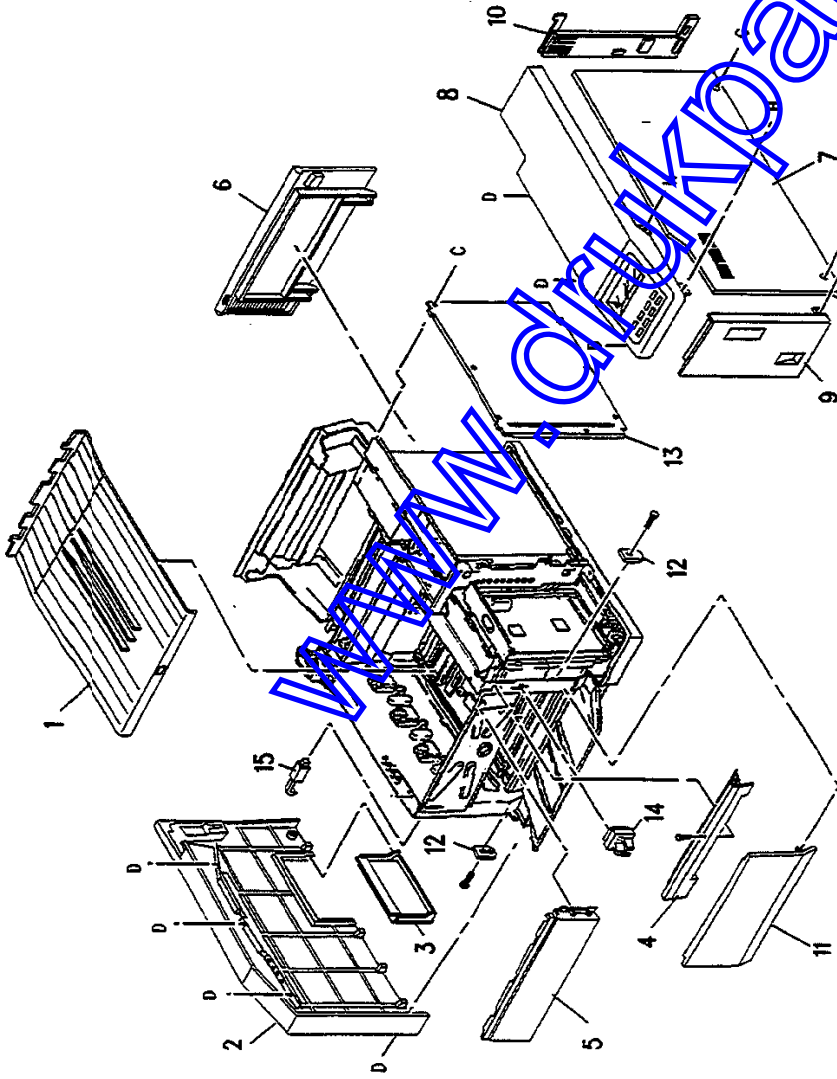
0	0012	B
GPA	PL00	C 0

DESCRIPTION

- EXIT ASSEMBLY
- FUSER OIL SENSOR (REP 10.3, ADJ 10.1)
- EXIT ASSEMBLY COVER (REAR PANEL)
- CABLE CLAMP (P/O ITEM 1)
- EXIT ROLLER COVER (P/O ITEM 1)
- EXIT FRAME (P/O ITEM 1)
- GEAR (P/O ITEM 1)
- BEARING (P/O ITEM 1)
- EXIT ROLLER
- BRACKET (P/O ITEM 1)
- BAFFLE (P/O ITEM 1)
- STATIC ELIMINATOR BRUSH
- EXIT SENSOR ACTUATOR
- EXIT SENSOR
- WAVY WASHER (P/O ITEM 1)
- CLIP

ITEM	PART
1	22E15120
2	130E6450
3	48E1760
4	--
5	48E1770
6	--
7	--
8	--
9	22E15110
10	--
11	--
12	115E3910
13	11E5270
14	130E6430
15	--
16	19K3630

PL 13.1 COVERS

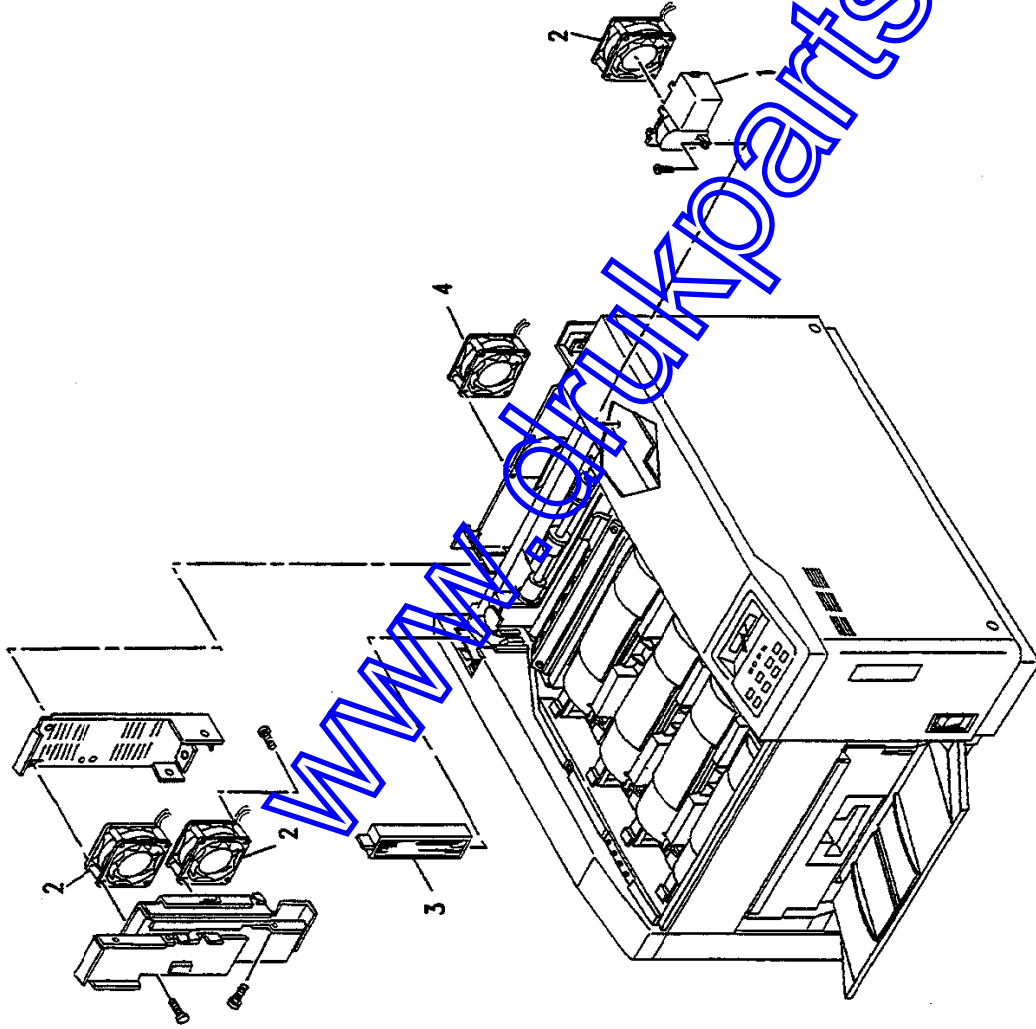


ITEM	PART	DESCRIPTION
1	48E1540	TOP COVER (120V)
2	48E10700	TOP COVER (220V-240V)
3	48E1750	LEFT SIDE COVER
4	48E1660	SIDE DOOR
5	48E1570	LOWER FRONT COVER
6	48E1550	UPPER FRONT COVER (4900)
7	48E20640	UPPER FRONT COVER (4915/4920/4925)
8	48E1530	REAR DOOR
9	48E1790	RIGHT SIDE COVER
10	48E1780	RIGHT TOP COVER
11	48E1580	RIGHT FRONT COVER
12	48E1800	RIGHT REAR COVER
13	50E10240	BYPASS TRAY
14	..	BRACKET (NOT SPARED)
15	3K8170	BRACKET (NOT SPARED) (TO BE AVAILABLE AT LATER DATE)

0	0013	B
DPL	PL13.1	C I

PL 13.2 OZONE FILTER AND COOLING FANS

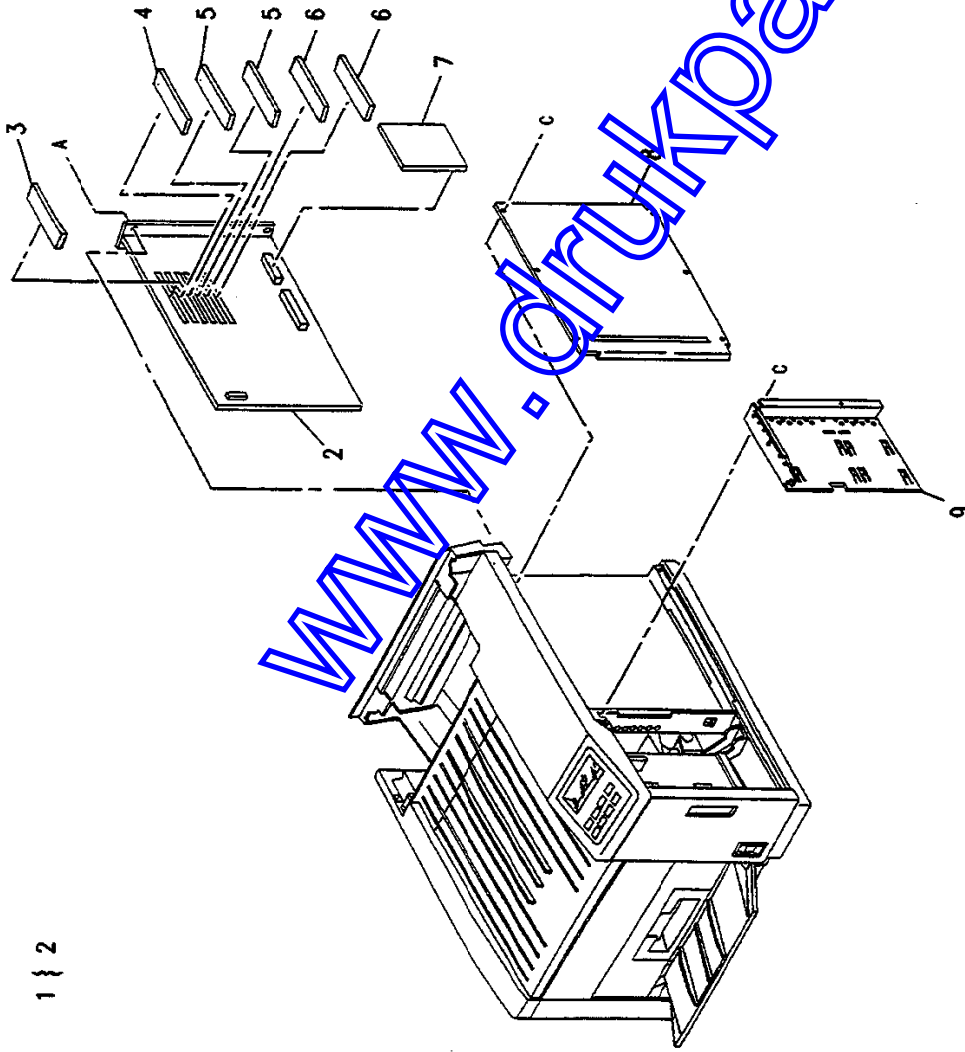
ITEM	PART	DESCRIPTION
1	--	COOLING FAN DUCT (NOT SPARED)
2	127E8810	OZONE FAN, CONTROLLER COOLING FAN
3	59E4100	OZONE FILTER (REP 13.1)
4	127E8800	EXIT COOLING FAN



0	0014	B
0PL	PL00	C D

PL 24.1 ESS

1 { 2



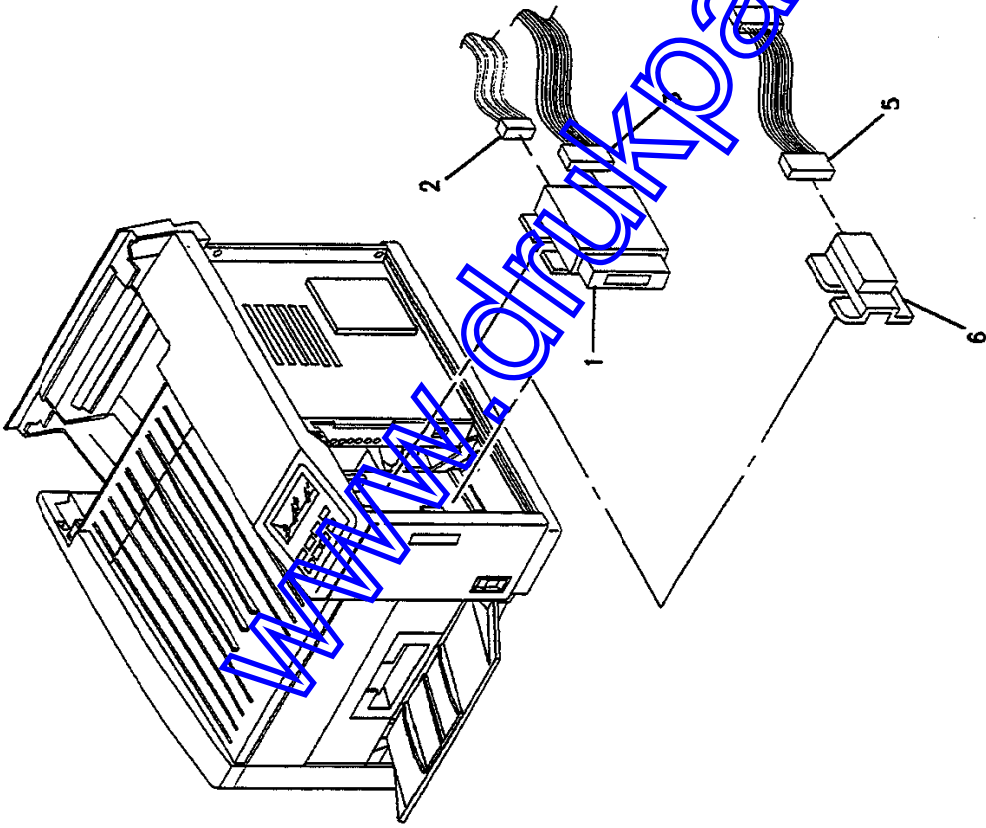
ITEM	PART	DESCRIPTION
1	160K16760	ESS PWB ASSEMBLY
2	140K66006	CONTROLLER PWB (ESS) (W/TAG 4) (REP 24.1)
3	--	PCL5 SIMM PWBA (4920/4925) (TO BE AVAILABLE AT LATER DATE)
4	160K1822	OTP SIMM (4900) (REP 24.3)(W/TAG 1)
5	160K13870	ROM SIMM (4900) (REP 24.3)(W/TAG 5) OTP SIMM (4915/4920/4925) (REP 24.3) (TO BE AVAILABLE AT LATER DATE)
6	733W3665	RAM SIMM (2MB) (4900) (REP 24.2)
7	733W3664	RAM SIMM (8MB) (REP 24.2)
8	733W3661	RAM SIMM (4MB) (REP 24.2)
9	160K1581	NETWORK INTERFACE PWB
	160K1590	TOKEN RING PWB (NOT SPARED)
	--	RIGHT SIDE INNER PANEL (NOT SPARED)
	--	MAIN CONTROL PWB (MCTL) COVER (NOT SPARED)

Q	0015	C
UPL	PL0D	C I

PL 25.1 MEDIA SERVER, COLLATION DISK

4 { 5, 6

ITEM	PART	DESCRIPTION
1	121K8800	MEDIA SERVER (REP 24.4)
2	162K1780	POWER CABLE
3	162K7670	DATA CABLE
4	98K35170	COLLATION DISK ASSEMBLY (4920/4925)
5	162K17171	SCSI DATA CABLE (4920/4925)
6	--	COLLATION DISK (P/O ITEM 4)



0	0016	C
02L	PL00	C D

www.drukparts.pl

ITEM	PART	DESCRIPTION
A	113W35658	SCREW (M4 X 6)
B	--	BRASS SCREW (M4 X 6)
C	--	SCREW (M3 X 6)
D	--	TAPPING SCREW (M4 X 8)
E	--	SCREW (M3 X 6)
F	--	SCREW (M5 X 12)
G	--	SCREW (M4 X 8)
H	--	SCREW (M4 X 6)
J	--	SCREW (M3 X 8)
K	113W16302	SCREW (4-40 X 3/16)
L	113W19402	SCREW (6-32 X 1/4)
M	113W19602	SCREW (6-32 X 3/8)
N	113W20202	SCREW (6-32 X 3/4)
P	153W12453	SCREW (6-32 X 3/8)
R	153W2406	SCREW (6-32 X 3/8)
S	251W22002	WASHER (NO. 3)
T	251W22302	WASHER (NO. 6)
U	256W10602	LOCKWASHER (NO. 6)
V	354W1503	RETAINING RING (5/8)
W	354W2103	RETAINING RING (7/8)
X	354W2503	RETAINING RING (1/4)
Y	354W3103	RETAINING RING (5/16)
Z	--	NUT
	275W17201	PIN (3/32 X 3/4)

PARTS LIST SECTION

COMMON HARDWARE

8/95

5-22

4900/4915/4920/4925

