

A

Field Replaceable Units List

This appendix provides a list of field replaceable units for the Phaser 440 Color Printer.

Changes to Tektronix instruments are made to accommodate improved components as they become available. It is important when ordering parts to include the following information:

- Component's order number
- Instrument type or number
- Instrument serial number
- Modification number, if any

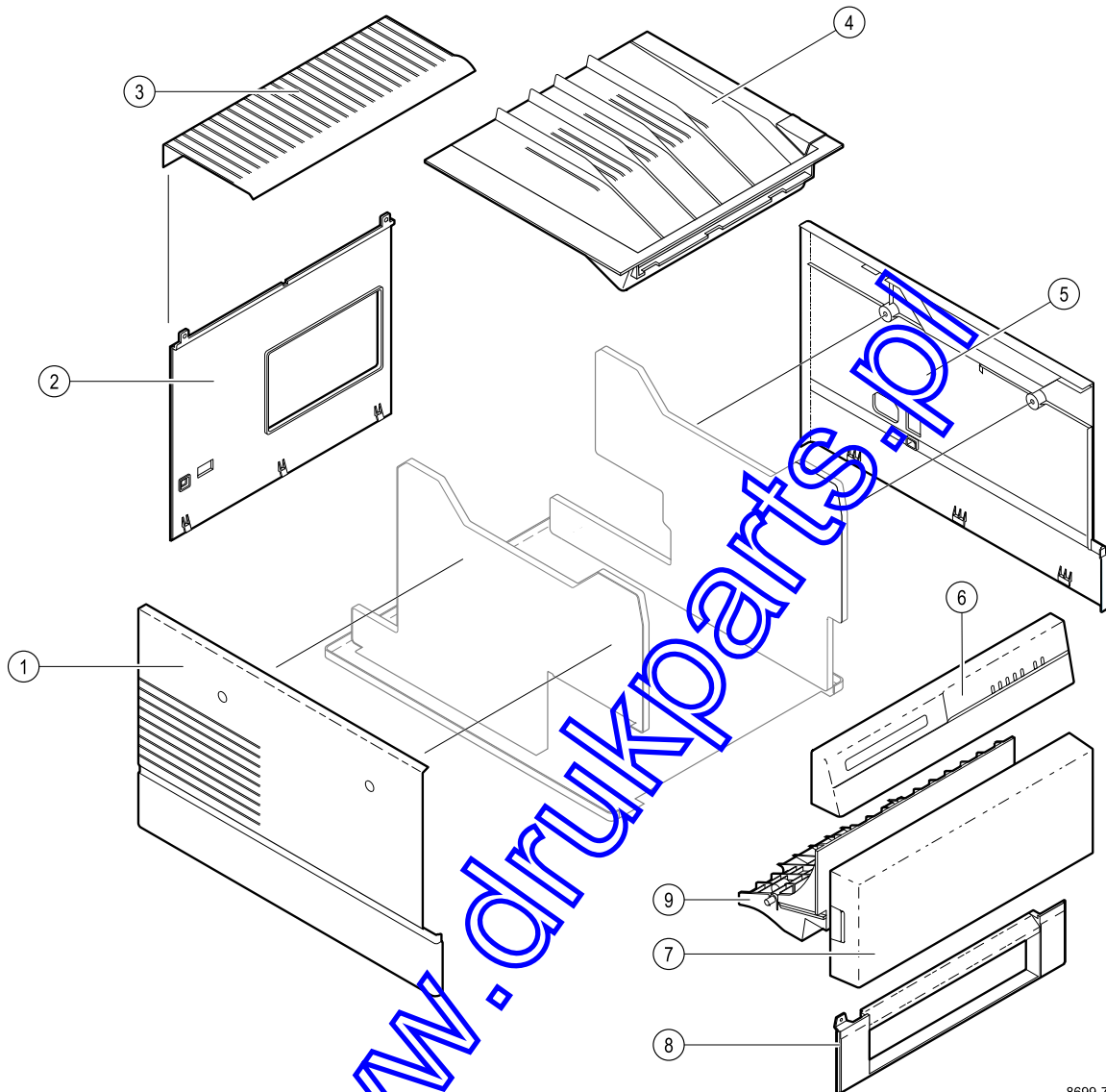
www.druckparts.pl

A *Field Replaceable Units List*

Table A-1 FRU exterior parts list

Figure A-1 parts	Part number	Serial number Effective	Discontinued	Quantity	Name and description
1	118-8938-00			1	CABINET: LEFT SIDE
2	118-8937-00			1	CABINET: BACK LOWER
3	118-8936-00			1	CABINET: BACK UPPER
4	118-9134-00			1	CABINET TOP: WITH OPEN LEVER
5	118-8939-00			1	CABINET: RIGHT SIDE
6	118-8933-00			1	CABINET FRONT: UPPER WITHOUT LED BOARD
7	118-8934-00			1	CABINET FRONT: CENTER
8	118-9133-00			1	CABINET FRONT: LOWER
9	118-8841-00			1	DOOR: FRONT ACCESS

www.drukparts.pl



8699-76A

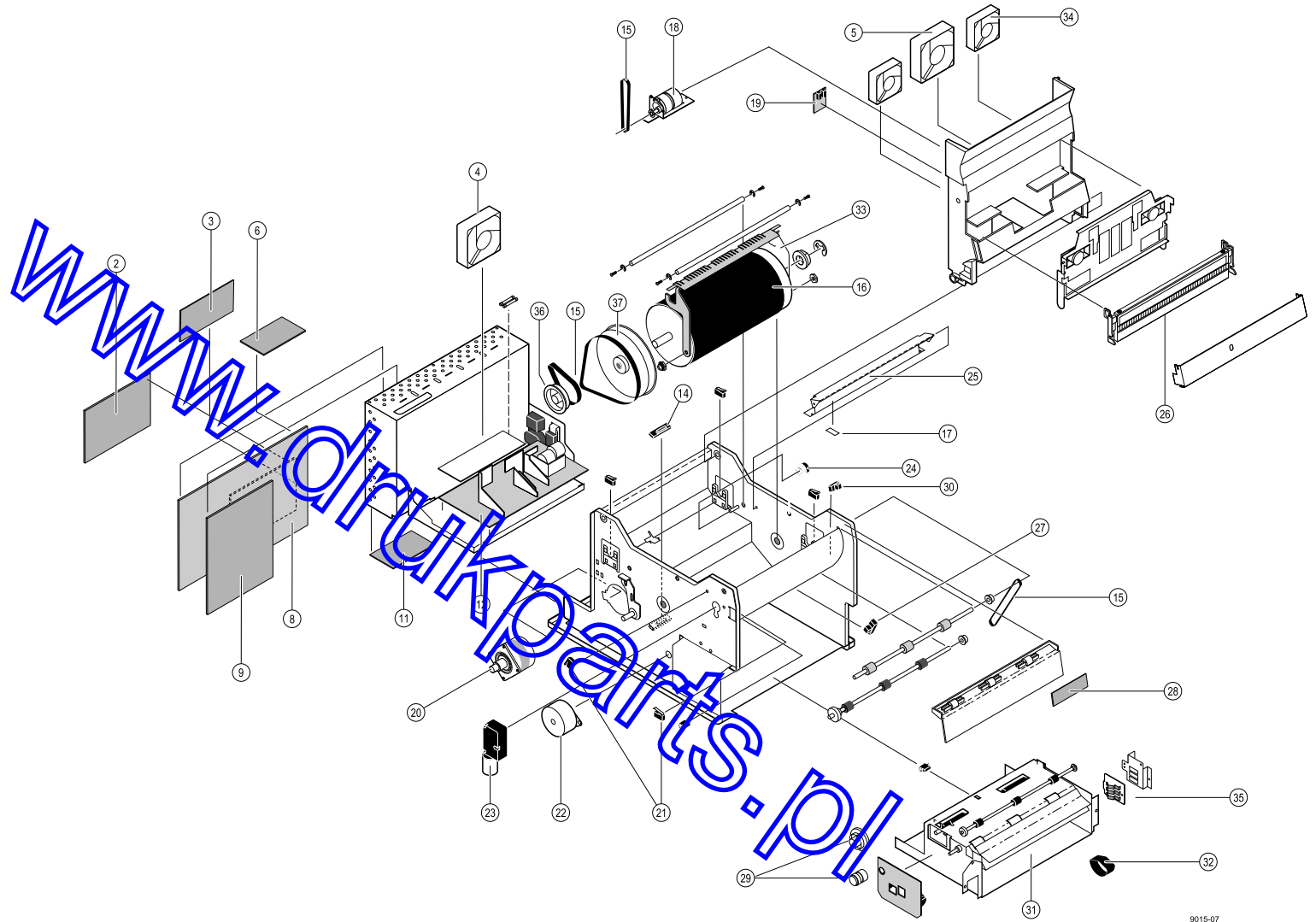
Figure A-1 The printer exterior FRUs

A Field Replaceable Units List

Table A-2 FRU interior parts list

Figure A-2 parts	Part number	Serial number Effective	Discontinued	Quantity	Name and description
2	671-3188-00			1.000	CIRCUIT BD ASSY: 4685 (440) I/O
3	671-2533-04			1.000	CIRCUIT BD ASSY: ETHERNET CARD
4	118-9141-00			1.000	FAN: POWER SUPPLY
5	118-9140-00			1.000	FAN: LARGE THERMAL HEAD
6	671-3133-00			1.000	16 MBYTE SIMM, "LOW PROFILE"
6	671-3138-00			1.000	32 MBYTE SIMM, "LOW PROFILE"
8	671-3147-00			1.000	CIRCUIT BD: 4685 IMAGE PROCESSOR
9	118-9090-00			1.000	CIRCUIT BOARD: PRINT ENGINE CONTROL BOARD, 4685 (440)
11	118-9089-00			1.000	CIRCUIT BOARD: INTERCONNECT
12	118-9098-00			1.000	POWER SUPPLY
14	118-8847-00			1.000	PAPER CLAMP SENSOR
15	118-8840-01			1.000	BELT KIT
16	118-9099-00			1.000	DRUM UNIT
17	118-9091-00			1.000	SENSOR: TRANSFER ROLL MARK
18	118-8853-00			1.000	MOTOR HEAD LIFT
19	118-8854-00			1.000	CIRCUIT BD: HEAD POSITION SWITCH
20	118-9094-00			1.000	MOTOR DRUM
21	118-8846-01			1.000	SWITCH KIT: INTERLOCK, CORE SENSORS
22	118-8843-00			1.000	MOTOR,PAPER FEED
23	118-9139-00			1.000	MOTOR ASS'BY: TRANSFER ROLL TAKE UP
24	118-9136-00			1.000	TORQUE LIMITER
25	118-9138-00			1.000	BAIL ROLLER ASS'BLY W/ SENSORS
26	118-9092-00			1.000	THERMAL HEAD W/ SCREWS
27	118-8848-00			1.000	SENSOR: HOME POSITION
28	118-8859-00			1.000	FRONT PANEL: LED UNIT
29	118-8838-01			1.000	CLUTCH KIT: ALIGNING ROLLER AND PAPER PICK UP ROLLER CLUTCHES,
30	118-8850-00			1.000	PAPER EXIT SENSOR
31	118-9137-00			1.000	PAPER FEED UNIT
32	118-8837-01			2.000	PICK D ROLLER: RUBBER ONLY,
33	118-9112-00			1.000	DRUM, PAPER CLAMP
34	118-9145-00			1.000	SMALL INTERIOR FAN AND SPACER
35	118-9101-00			1.000	TRAY SENSOR, SPRING ACTUATORS
36	118-9135-00			1.000	DRUM IDLER PULLEY
37	118-9114-00			1.000	DRUM PULLEY
	118-9116-00			1.000	MEDIA SELECT LEVER HOUSING, (SIDE OF TRAY) A AND A4 TRAYS
	118-9143-00			1.000	MEDIA SELECT LEVER HOUSING, (SIDE OF TRAY) UNIVERSAL TRAY
	118-9111-00			1.000	FUSE, F101 (8A)
	118-9093-00			1.000	FUSE, F1 (4A)
	159-0210-00			1.000	FUSE, F2 (5A, 250 VAC)
	159-0296-00			1.000	FUSE, F3 (2A, 250 VAC)
	118-8940-01			1.000	HARDWARE KIT
	118-8836-00			1.000	FLAG SENSOR KIT
	118-9144-00			1.000	GEAR KIT
	118-9147-00			1.000	ROLLER KIT
	118-8860-01			1.000	BAIL ROLLER AND SPRING KIT

Figure A-2 The internal printer



9015-07

Table A-3 Printer accessories

Part Number	Quantity	Description
436-0278-00	1.000	TRAY, INPUT, UNIVERSAL
436-0279-00	1.000	TRAY, INPUT, LETTER
436-0280-00	1.000	TRAY, INPUT, A4-SIZE
436-0286-00	1.000	TRANSFER ROLL TRAY
436-0295-00	1.000	TRAY, FEEDER: LOWER TRAY FEEDER
070-9015-01	1.000	MANUAL,TECH: SERVICE FOR PHASER 440
070-9016-00	1.000	MANUAL,TECH: PHASER 440 SW PRINTING REFERENCE
070-9014-00	1.000	MANUAL,TECH: USER, PHASER 440
070-9014-10	1.000	MANUAL,TECH: USER, PHASER 440, FRENCH ONLY
070-9014-20	1.000	MANUAL,TECH: USER, PHASER 440, ITALIAN ONLY
070-9014-30	1.000	MANUAL,TECH: USER, PHASER 440, GERMAN ONLY
070-9014-40	1.000	MANUAL,TECH: USER, PHASER 440, SPANISH ONLY
334-8366-17	1.000	MARKER,IDENT: 440 LOGO, STD
334-8366-18	1.000	MARKER,IDENT: 440 LOGO, "J"
334-8366-21	1.000	MARKER,IDENT: 440 LOGO, DEALER/DEMO
016-1332-00	1.000	CLEANING KIT
063-2069-00	1.000	DRIVERS/UTILITIES S/W 440
067-1433-99	1.000	TEST PATTERN GENERATOR

www.drukparts.pl