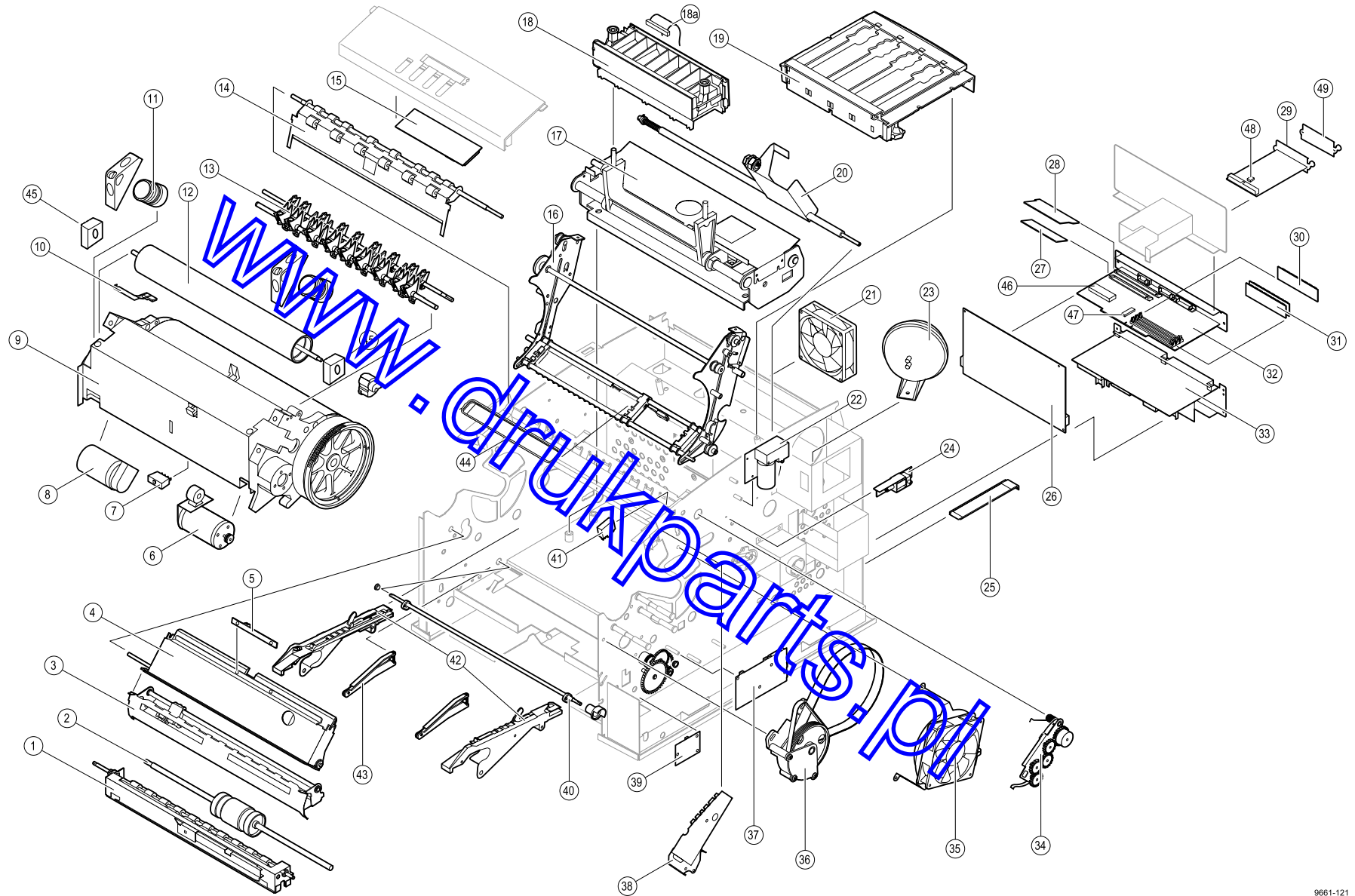


Figure A-3 The printer interior FRUs - right side



A FRU Replaceable Parts List

Table A-4 supplies and accessories

Part number	Serial number Effective	Discontinued	Quantity	Name and description
Supply	016-1520-00		1	Cleaning Kit
Supply	006-7824-01			Pack of 10 lint-free, alcohol-soaked cleaning wipes
Supply	003-1676-00			Roller cleaning cards, pack of 5
Supply	436-0323-00		1	Media Tray, Universal
Supply	118-9548-00			Separator Pad for Media Tray
Supply	436-0303-00		1	Drum Maintenance Tray, includes Waste Ink Liner and Media Tray Separator Pad
Supply	436-0308-00		1	Waste Ink Liners (Pack of 5)
Supply	016-1540-00			Black Ink Stick (2 per box)
Supply	016-1541-00			Cyan Ink Stick (2 per box)
Supply	016-1542-00			Magenta Ink Stick (2 per box)
Supply	016-1543-00			Yellow Ink Stick (2 per box)
Supply	016-1546-00			Rainbow Pack of Ink
Supply	016-1554-00			Transparency Film, A-size, 50 sheets
Supply	016-1555-00			Transparency Film, A4-size, 50 sheets
Supply	016-1567-00			Transparency Film, Tabloid Max, 50 sheets
Supply	016-1142-00			Letter-size Tektronix paper, 250 sheets, 176 g/m ² (Cover 65 lbs.)
Supply	016-1368-00			Letter-size Tektronix paper, 500 sheets, 90 g/m ² (24 lbs.)
Supply	016-1143-00			A4-size Tektronix paper, 250 sheets, 176 g/m ² (Cover 65 lbs.)
Supply	016-1369-00			A4-size Tektronix paper, 500 sheets, 90 g/m ² (24 lbs.)
Supply	016-1140-00			A3-size Tektronix paper - no watermark, 500 sheets, 90 g/m ² (24 lbs.)
Supply	016-1255-00			Tabloid Maximum-size Tektronix paper, 250 sheets, 176 g/m ² (Cover 65 lbs.)
Supply	016-1254-00			Tabloid Maximum-size Tektronix paper, 500 sheets, 99 g/m ² (Bond 24 lbs.)
Supply	016-1139-00			Tabloid Maximum-size Tektronix paper, 500 sheets, 90 g/m ² (Bond 24 lbs.)
	063-1988-01			Network SoftWare, P1, P3,P4
	063-2372-05			Network Admin and Status Software
	065-0564-00			Shipping Box
	070-9538-01			Network Admin SW Manual
	070-9539-01			PhaserShare SW Manual
	070-9661-00			Phaser 380 Service Manual

Table A-4 supplies and accessories (cont'd.)

Part number	Serial number Effective	Discontinued	Quantity	Name and description
	070-9662-00			Phaser 380 User Manual, English
	070-9662-10			Phaser 380 User Manual, French
	070-9662-20		1	Phaser 380 User Manual, Italian
	070-9662-30		1	Phaser 380 User Manual, German
	070-9662-40		1	Phaser 380 User Manual, Spanish
	013-0299-00		1	Parallel adapter, Centronics 36 Pin to IEEE-1284-C "mini"
	012-1468-00		1	Cable, Parallel IEEE-1284-C to DB25M
	012-1465-00		1	Cable, SCSI-2 to 50 Pin SCSI-1
	013-0297-00		1	SCSI-1 LD to SCSI-2 HD Adapter
	012-1299-00		1	SCSI-1 LD to Macintosh 25 SCSI Cable
Service	650-3644-00		1	Z380 Special Tools Kit
Service	174-3493-00		1	Cable, Serial Adapter, Diags, Level Shifter
Service	063-2535-00			Service PC-based Diagnostics SW Diskette
Service	012-1498-00			Cable, Mac, Serial DIN8 to DB25M
Service	012-1535-00		1	Cable, Serial DB9Fto DB25M, Null Modem
Service	003-1499-00		1	Tool, Gap, Head to Drum
Service	003-1503-00		1	Hot Head Handler
Service	003-1504-00		1	Hot Head Plug Assembly
Service	003-1706-00		1	Tool, Belt Tensioner, Y-Axis
Service	003-1708-00		1	X-Axis -to-Drum Alignment Tool
Service	003-1710-00		1	Tool, Spacer, Encoder Disk
Service	003-1711-00		1	Cover Support Standoff Socket Tool
Service	003-1714-00			Cap-Wipe/Purge-to-Head Alignment Tool
Service	003-0893-00			Metric Wrench Set 1.5mm to 5mm
Service	003-1719-00			Dial Caliper
Service	003-1720-00			Optical Magnifier
Service	003-1721-00			Ball-driver L wrench, 6 mm hex
Service	003-0827-00		1	Screwdriver, torque
Service	003-0336-00			Bit, Screwdriver, #2 Phillips
Service	003-1726-00			Bit, Screwdriver, 3/32 in. hex
Service	003-1734-00			Bit, Screwdriver, 4 mm, hex
Service	161-0066-00			Power cord, Std., USA, Canada, 115V,
Service	161-0066-09			Power cord, Option A1, Universal European, 220V

Table A-4 supplies and accessories (cont'd.)

	Part number	Serial number Effective	Discontinued	Quantity	Name and description
Service	161-0066-10				Power cord, Option A2, United Kingdom, 240V
Service	161-0066-11				Power cord, Option A3, Australia, 240V
Service	161-0154-00				Power cord, Option A5, Switzerland, 220V
Kit	Z380LTA				Lower Tray Assembly w /A-size Tray

Lower (Auxiliary) paper feeder**Table A-5 Lower paper tray assembly FRUs**

	Part number	Serial number Effective	Discontinued	Quantity	Name and description
1	437-0461-00				Aux feeder assembly exchange module
2	118-9583-00				Front cover
3	118-9584-00				Feed motor
4	118-9585-00				Aux driver board
5	118-9586-00				Interface cable
6	118-9587-00				Wiring harness kit

www.drukparts.pl