

A

Field Replaceable Units List

This appendix provides a list of field replaceable units for the Phaser 200i, 200e, 220i and 220e Color Printers.

Changes to Tektronix instruments are made to accommodate improved components as they become available. It is important when ordering parts to include the following information:

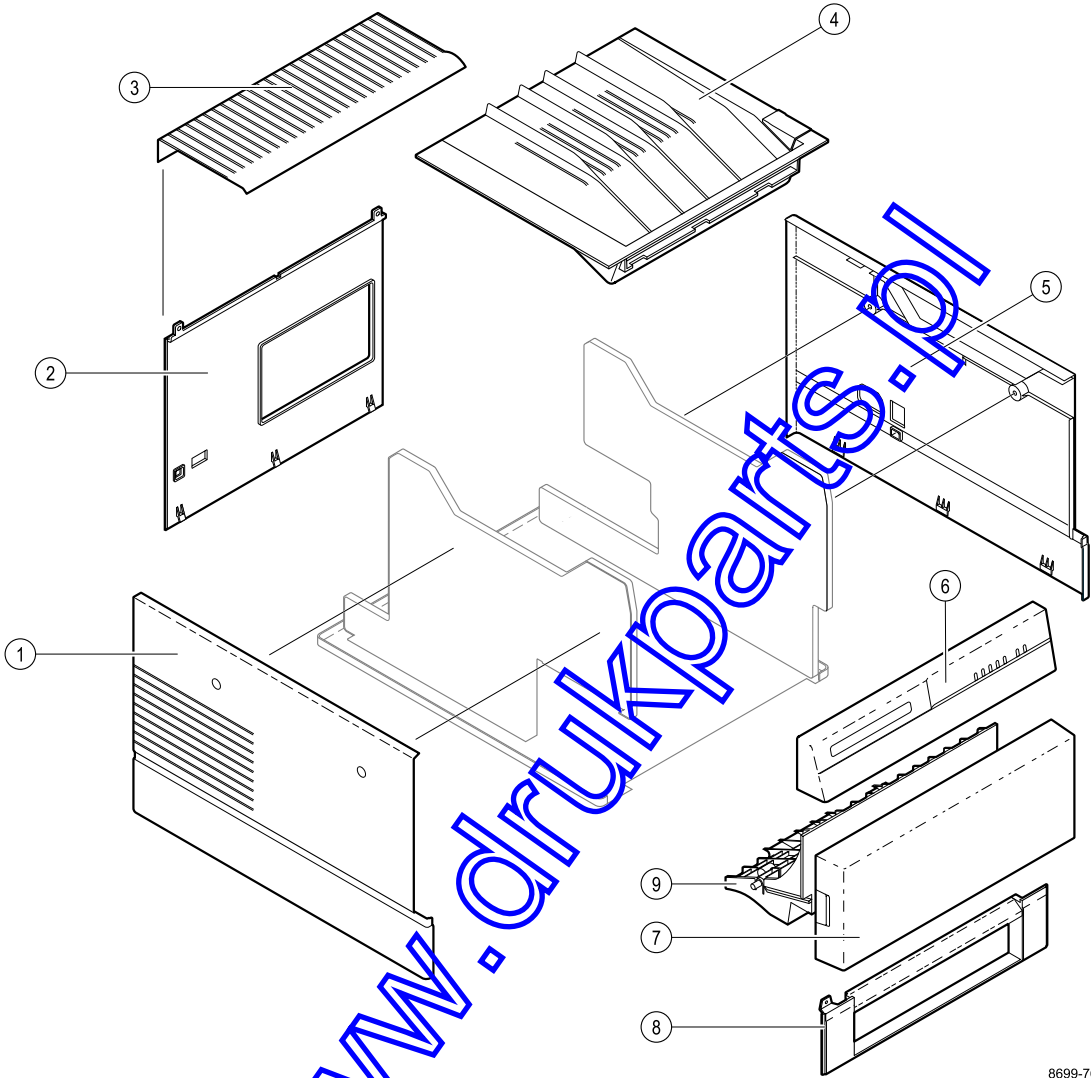
- Component's order number.
- Instrument type or number.
- Instrument serial number.
- Modification number, if any.

www.drukparts.pl

Table A-1. FRU exterior parts list

Figure	Part number	Serial number		Quantity	Name and description
		Effective	Discontinued		
A-1-1	118-8938-00			1	CABINET: LEFT SIDE
A-1-2	118-8937-00			1	CABINET: BACK LOWER
A-1-3	118-8936-00			1	CABINET: BACK UPPER
A-1-4	118-8932-00			1	CABINET TOP: WITH OPEN LEVER
A-1-5	118-8939-00			1	CABINET: RIGHT SIDE
A-1-6	118-8933-00			1	CABINET FRONT: UPPER WITHOUT LED BOARD
A-1-7	118-8934-00			1	CABINET FRONT: CENTER
A-1-8	118-8935-00			1	CABINET FRONT: LOWER
A-1-9	118-8841-00			1	DOOR: FRONT ACCESS

www.drukparts.nl



8699-76A

Figure A-1. The printer exterior FRUs

Table A-2. FRU interior parts list

Figure	Part number	Serial number Effective	Discontinued	Quantity	Name and description
A-2-1	671-2690-00 671-3167-00			1.000	CIRCUIT BD ASSY: 4681PXE I/O CIRCUIT BD ASSY: 4681E (220E) I/O
A-2-2	671-2604-00 671-3166-00			1.000	CIRCUIT BD ASSY: 4681PXI I/O CIRCUIT BD ASSY: 4681I (220I) I/O
A-2-3	671-2533-01			1.000	CIRCUIT BD ASSY: ETHERNET OPTION, REMANUFACTURED
A-2-4	118-8930-00			1.000	FAN: POWER SUPPLY
A-2-5	118-8931-00			1.000	FAN: THERMAL HEAD
A-2-6	671-1561-01			1.000	CIRCUIT BD ASSY: SUPER SIMM; 389-0756-XX WIRED (FASTER)
A-2-7	671-2412-00			1.000	FONT ROM CKT. BD. ASSY. (200E)
A-2-7	6713113-00			1.000	FONT ROM CKT. BD. ASSY. (220I)
A-2-8	671-2689-00 671-3112-00			1.000	CIRCUIT BD ASSY: 4681PXE IMAGE PROCESSOR CIRCUIT BD ASSY: 4681E (220E) IMAGE PROCESSOR
A-2-9	118-8857-00 118-9049-00			1.000	CIRCUIT BOARD: P/E CONTROL, 4681P/PXE CIRCUIT BOARD: P/E CONTROL, 4681I/E (220I/220E)
A-2-10	671-2603-00 671-2986-00			1.000	CIRCUIT BD ASSY: 4681PXI IMAGE PROCESSOR CIRCUIT BD ASSY: 4681I (220I) IMAGE PROCESSOR
A-2-11	118-8856-00			1.000	CIRCUIT BOARD: INTERCONNECT, EMI CAGE
A-2-12	118-8858-00			1.000	POWER SUPPLY
A-2-13	118-8850-00 118-8851-00			1.000	TRANSFER ROLL LOW SENSOR:4681PXI/PXE PAPER EJECT SENSOR
A-2-14	118-8847-00			1.000	PAPER CLAMP SENSOR
A-2-15	118-8840-00			1.000	BELT KIT
A-2-16	118-8845-00			1.000	DRUM ASSY KIT
A-2-17	118-8852-00			1.000	CIRCUIT BOARD: SENSOR,RIBBON MARK
A-2-18	118-8853-00			1.000	MOTOR,HEAD LIFT
A-2-19	118-8854-00			1.000	CIRCUIT BOARD: SWITCH, HEAD POSITION
A-2-20	118-8844-00			1.000	MOTOR,DRUM
A-2-21	118-8846-00			1.000	SWITCH KIT: INTERLOCK MICRO, 4681PXI/PXE
A-2-22	118-8843-00			1.000	MOTOR,PAPER: 4681PXI/PXE
A-2-23	118-8842-00			1.000	MOTOR ASSEMBLY: RIBBON TAKE UP, 4681PXI/PXE
A-2-24	118-8849-00			1.000	TORGUE LIMITER
A-2-25	118-8860-00			1.000	BAIL ROLLER SPRING ASSEMBLY

www.druckers.com

Table A-2. FRU interior parts list

Figure	Part number	Serial number Effective	Discontinued	Quantity	Name and description
A-2-26	118-8855-00			1.000	THERMAL HEAD ASSEMBLY
A-2-27	118-8848-00			1.000	SENSOR: HOME POSITION
A-2-28	118-8859-00			1.000	FRONT PANEL: LED UNIT
A-2-29	118-8838-00			1.000	CLUTCH KIT: ALIGNING ROLLER,
A-2-30	118-8839-00			1.000	CLUTCH KIT: PAPER PICK UP ROLLER,
A-2-31	118-8835-00			1.000	PAPER FEED UNIT
A-2-32	118-8837-00			2.000	D ROLLER: RUBBER ONLY,
A-2-33	118-9025-00			1.000	DRUM, PAPER CLAMP
A-2-34	118-9101-00			1.000	TRAY SENSOR DETECT SPRING
A-2-35	118-9114-00			1.000	DRUM PULLEY
	118-8836-00			1.000	FLAG SENSOR KIT
	118-8940-00			1.000	HARDWARE KIT

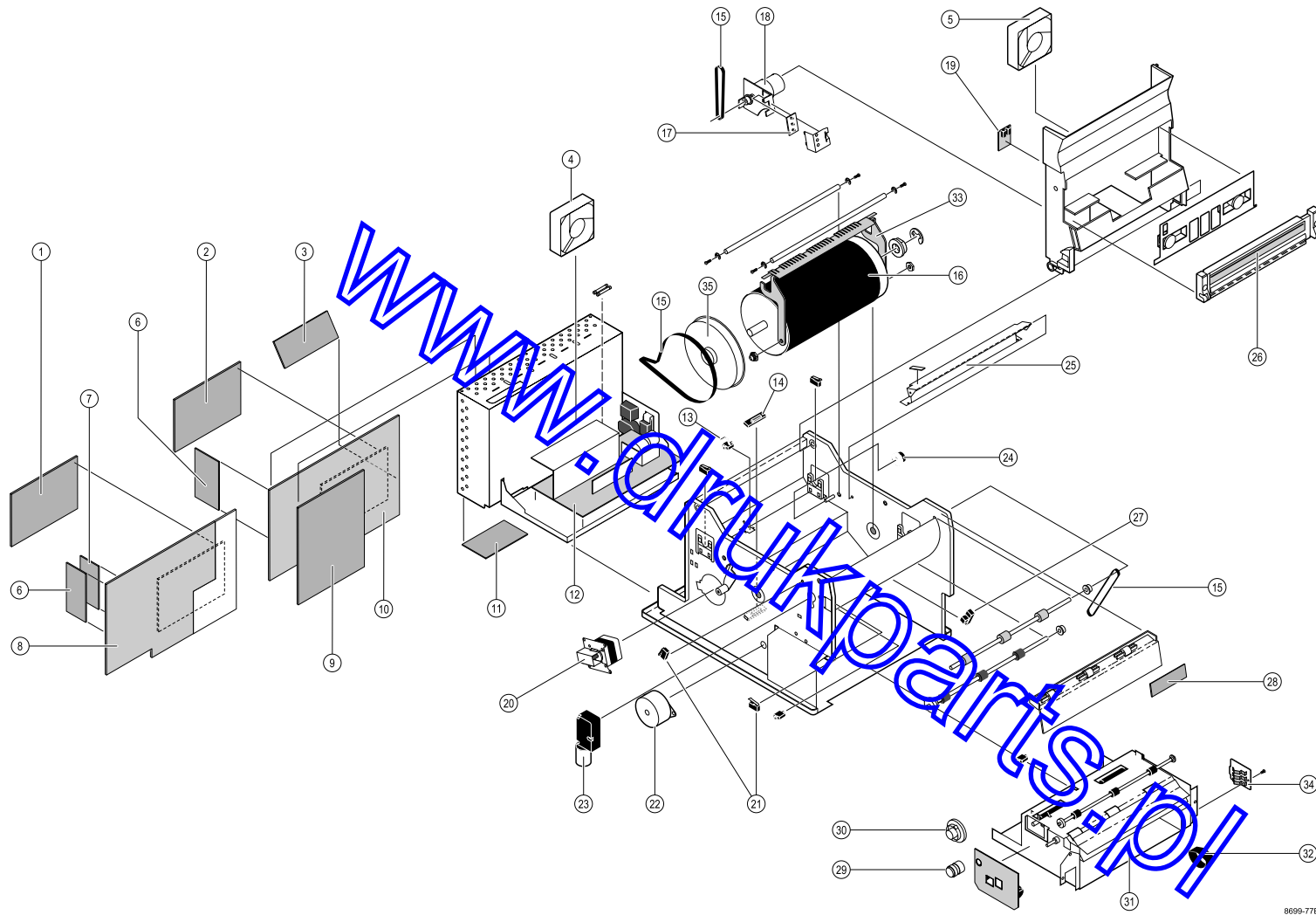
www.drukparts.nl

Table A-3. Printer accessories

Figure Number.	Part Number	Serial Number	Quantity	Description
	436-0261-00		1.000	TRAY, INPUT, PLAIN PAPER, LETTER
	436-0262-00		1.000	TRAY, INPUT, PLAIN PAPER, A4-SIZE
	436-0255-00		1.000	TRAY, INPUT: PAPER PERF, LETTER
	436-0256-00		1.000	TRAY, INPUT: PAPER PERF, A4-SIZE
	436-0257-00		1.000	TRAY, FEEDER: LOWER TRAY FEEDER
	070-8697-00		1.000	MANUAL, TECH: USER, PHASER 200
	070-8697-10		1.000	MANUAL, TECH: USER, PHASER 200, FRENCH ONLY
	070-8697-20		1.000	MANUAL, TECH: USER, PHASER 200, ITALIAN ONLY
	070-8697-30		1.000	MANUAL, TECH: USER, PHASER 200, GERMAN ONLY
	070-8697-40		1.000	MANUAL, TECH: USER, PHASER 200, SPANISH ONLY
	070-8699-02		1.000	MANUAL, TECH: FIELD SERVICE FOR PHASER 200 SERIES
	070-8700-00		1.000	MANUAL, TECH: PHASER 200 SW PRINTER TOOLS REFERENCE
	070-8869-00		1.000	MANUAL, TECH: USER, PHASER 220
	070-8869-10		1.000	MANUAL, TECH: USER, PHASER 220, FRENCH ONLY
	070-8869-20		1.000	MANUAL, TECH: USER, PHASER 220, ITALIAN ONLY
	070-8869-30		1.000	MANUAL, TECH: USER, PHASER 220, GERMAN ONLY
	070-8869-40		1.000	MANUAL, TECH: USER, PHASER 220, SPANISH ONLY
	070-8870-00		1.000	MANUAL, TECH: PHASER 220 SW PRINTER TOOLS REFERENCE
	334-8366-02		1.000	MARKER, IDENT: 200I LOGO
	334-8366-03		1.000	MARKER IDENT: 200E LOGO
	334-8366-11		1.000	MARKER, IDENT: 220I LOGO
	334-8366-12		1.000	MARKER IDENT: 220E LOGO
	016-1233-00		1.000	CLEANING KIT
	063-1350-00		1.000	DRIVERS/UTILITIES S/W 200E
	063-1355-00		1.000	DRIVERS/UTILITIES S/W 200I
	063-1692-00		1.000	DRIVERS/UTILITIES S/W 220I/220E
	063-1734-00		1.000	5.25" PC DISKETTES FOR 220I
	067-1433-99		1.000	TEST PATTERN GENERATOR

www.druckershop.com

Figure A-2. Exploded view of the printer



8699-77B



Field Replaceable Parts List for the 4681 Phaser 200/220/240:

Part Number	Figure	Exch.	Used In	New	QTY	Name & Description
I/O Interface:						
671-2690-00	A2-1		200e		1	Circuit Bd. Assy: 4681PXe I/O
671-3167-00	A2-1		220e		1	Circuit Bd. Assy. 4681e I/O
671-2604-00	A2-2		200i		1	Circuit Bd. Assy. 4681PXi I/O
671-3166-00	A2-2		220i		1	Circuit Bd. Assy. 4681i I/O
671-3611-00	A2-2		240	*	1	Circuit Bd. Assy. 4681 Z240 I/O
407-4390-00			240	*	1	Support Bracket I/O
407-4391-00			240	*	1	Bracket, Door I/O
386-6891-00			240	*	1	Rear Panel I/O
213-1090-00			240	*	1	Rear Panel Thumb Screws
Memory:						
671-1561-01	A2-6		All		1	Circuit Bd. Supper SIMM 4 Meg (8 IC's)
671-3574-00	A2-6		All		1	Circuit Bd. Supper SIMM 4 Meg (2 IC's)
671-3317-00	A2-6	*	240	*	1	Circuit Bd. Supper SIMM 8 Meg (16 IC's) Note 1
671-3318-00	A2-6	*	240	*	1	Circuit Bd. Supper SIMM 8 Meg (4 IC's)
671-3133-00	A2-6	*	240	*	1	Circuit Bd. Supper SIMM 16 Meg (8 IC's)
Image Processors:						
671-2689-00	A2-8	*	200e		1	Circuit Bd. Assy. 4681PXe Image Process
671-3112-00	A2-8	*	220e		1	Circuit Bd. Assy. 4681e Image Processor
671-2603-00	A2-10	*	200i		1	Circuit Bd. Assy. 4681PXi Image Process
671-2986-00	A2-10	*	220i		1	Circuit Bd. Assy. 4681i Image Processor
671-3610-00	A2-10	*	240	*	1	Circuit Bd. Assy. 4681 Z240 IP
Font ROM's						
671-2412-00	A2-7		200e		1	Circuit Bd. Assy. 4681PXe Font ROM
671-3113-00	A2-7		220e/240		1	Circuit Bd. Assy. 4681e Font ROM, Note 2
Network Items:						
671-2533-04	A2-3		All		1	Circuit Bd Assy. EtherTalk Option, Note 3
011-0160-00			All		1	Ethernet 10 Base 5 Adapter "Thick Net"
011-0161-00			All		1	Ethernet 10 Base 2 Adapter "Thin Net"
011-0162-00			All		1	Ethernet 10 Base T Adapter "Twisted Pair"

Part Number	Figure	Exch.	Used In	New	QTY	Name & Description
PE Boards:						
118-8857-00	A2-9	*	200i/e		1	Circuit Bd. Assy. 4681PXi/e PE
118-9049-00	A2-9	*	220/240		1	Circuit Bd. Assy. 4681i/e PE
118-8856-00	A2-11		All		1	Circuit Bd. Assy. Mother Board
118-8859-00	A2-28		All		1	Front Panel w/LED Unit
PS Items:						
118-8930-00	A2-4		All		1	Power Supply Fan
118-8858-00	A2-12		All		1	Power Supply
Sensor & Switches:						
118-8850-00	A2-13		All		1	Transfer Roll New Sensor
118-8851-00			All		1	Paper Detect Sensor
118-8847-00	A2-14		All		1	Paper Clamp Sensor
118-8852-00	A2-17		All		1	Circuit Bd. Assy. Sensor, Ribbon Mark
118-8854-00	A2-19		All		1	Circuit Bd. Head Position Switch
118-8846-01	A2-21		All		1	Switch Kit
118-8848-00	A2-27		All		1	Drum Home Position Sensor
118-8836-00			All		1	Flag Sensor Kit
118-9101-00			All		1	Tray Sensor/Detect Spring (Switch Activator)
PE Motors:						
118-8853-00	A2-18		All		1	Head Lift Motor
118-8844-00	A2-20		All		1	Drum Motor
118-8843-00	A2-22		All		1	Paper Motor
118-8842-00	A2-23		All		1	Ribbon Take-up Motor
118-9157-00			All		1	Black Plastic Top Frame--Holds Head, Head Lift motor, etc.
Drum System:						
118-8845-00	A2-16		All		1	Drum Assy. Kit
118-9025-00	A2-33		All		1	Drum Media Clamp
118-9114-00			All		1	Drum Pulley (Set Screws in Hardware Kit 118-8940-01)
118-8860-00	A2-25		All		1	Bail Roller Assy.
118-8840-00	A2-15		All		1	Belt Kit

Updated On September 26, 1995 RB "Figure" above Refers to FSM 070-8699-03 Page 2

Part Number	Figure	Exch.	Used In	New	QTY	Name & Description
Printing System:						
118-8855-00	A2-26		All		1	Thermal Print Head
118-8931-00	A2-5		All		1	Thermal Head Fan
118-9115-00			All		1	Head Front Spring (Holds Front of Head, is small)
214-4643-00			All		1	Red Head Spring, (Pushes on rear of Head)
118-8838-00	A2-29		All		1	Aligning Roller Clutch Kit
118-8839-00	A2-30		All		1	Paper Pick Roller Clutch Kit
118-8835-00	A2-31		All		1	Paper Feed Unit
118-8837-00	A2-32		All		2	D-Roller Pick Kit
118-8849-00	A2-24		All		1	Torque Limiter
Other Items:						
118-8940-01			All		1	Hardware Kit (Screws, E-rings, etc.) See Note 4
650-3041-00			All		1	Static Mod Kit
Exterior Parts:						
118-8938-00	A1-1		All		1	Cabinet: Left Side
118-8937-00	A1-2		All		1	Cabinet: Lower Back
118-8936-00	A1-3		All		1	Cabinet: Upper Back
118-8932-00	A1-4		All		1	Cabinet: Top, with Open Lever
118-8939-00	A1-5		All		1	Cabinet: Right Side
118-8933-00	A1-6		All		1	Cabinet: Front without LED Bd.
118-8934-00	A1-7		All		1	Cabinet: Front Center
118-8935-00	A1-8		All		1	Cabinet: Front Lower
118-8841-00	A1-9		All		1	Cabinet: Front Access Door
200CART			All		1	Printer Cart
Printer Trays:						
436-0255-00			All		1	Letter Pref. Media
436-0256-00			All		1	A4-Size Pref. Media
436-0257-00			All		1	Lower Feed Unit (Second Feeder)
436-0261-00			All		1	Letter Plain Paper
436-0262-00			All		1	A4-Size Plain Paper
118-9116-00			All		1	Green Button & Bezel Kit
Manuals:						
070-8697-00			200		1	User Phaser 200: Standard
070-8697-10			200		1	User Phaser 200; French
070-8697-20			200		1	User Phaser 200; Italian
070-8697-30			200		1	User Phaser 200, German

Part Number	Figure	Exch.	Used In	New	QTY	Name & Description
Manuals:						
070-8697-40			200		1	User Phaser 200, Spanish
070-8699-03			All	*	1	Field Service Manual (FSM)
070-8700-00			200		1	Printer Tools Reference/SW
070-8869-00			220		1	User Phaser 220; Standard
070-8869-10			220		1	User Phaser 220; French
070-8869-20			220		1	User Phaser 220; Italian
070-8869-30			220		1	User Phaser 220; German
070-8869-40			220		1	User Phaser 220; Spanish
070-8870-00			220		1	Printer Tools Reference/SW
063-2343-00			240	*	1	Z240 Instruction Sheet
070-9238-00			240	*	1	User Phaser Z240; Standard
070-9238-10			240	*	1	User Phaser Z240; French
070-9238-20			240	*	1	User Phaser Z240; Italian
070-9238-30			240	*	1	User Phaser Z240; German
070-9238-40			240	*	1	User Phaser Z240; Spanish
070-9243-00			240	*	1	Printer Tools Reference/SW
Sales Literature:						
12W-1260			240	*	1	Phaser 240 Data Sheet
12W-1261			240	*	1	Phaser 240 Printing Supplies Data Sheet
12W-2713			240	*	1	Phaser 240 Sales Guide (Phaser 220 Sales Guide w/ Phaser 240 Addendum
12W-2713A			240	*	1	Phaser 240 Sales Guide Addendum
Cleaning Mtls:						
016-1233-00			All		1	Cleaning Kit
006-7824-00			All		1	Bag of 10 TexWipes
006-2398-00			All		1	Single TexWipe (from Beaverton), Gladus Rogers (503) 627-2181, Bld 78
Tools:						
067-1433-99			All		1	Test Pattern Generator
003-0293-00			All		1	Magnetic Tip Screwdriver -- 8.5 ins.
003-1388-00			All		1	Extension Tip
003-0335-00			All		1	#1 Posidriv® Tip
003-0336-00			All		1	#2 Posidriv® Tip
003-0236-00			All		1	Tweezers
003-1344-00			All		1	Hex Wrench Kit
006-7436-00			All		1	G-311S Lubricating Grease
006-7056-00			All		1	Anti static Mat

Part Number	Figure	Exch.	Used In	New	QTY	Name & Description
Tools:						
045-0222-00			200		1	Wrinkle/Registration Update Kit for (old) S/N JP3XXXX & lower Phaser 200's. See SB N° 163 & 164.
343-0549-00			All		1	Replacement cable ties
650-3225-00			All		1	Head Sanding Kit. See SB N° 203
Shipping Mtl:						
065-0541-00			All		1	Engine Shipping Kit
065-0542-00			All		1	Lower Feeder Shipping Kit
Marker ID's:						
334-8366-02			200		1	Phaser 200i Front Panel Logo
334-8366-03			200		1	Phaser 200e Front Panel Logo
334-8366-11			220		1	Phaser 220i Front Panel Logo
334-8366-12			220		1	Phaser 220e Front Panel Logo
334-8366-27			240	*	1	Phaser 240 Front Panel Logo
Software/Drv:						
046-0055-01			200		1	Phaser 200e Drivers/Utilities, was 063-1350-01
063-1335-01			200		1	Phaser 200i Drivers/Utilities
063-1692-00			220i/e		1	Phaser 220i/e Drivers/Utilities
063-1734-00			220i/e		1	5 1/4" PC Diskettes
063-2323-00			240	*	1	Phaser 240 Z240 Drivers/Utilities
Printing Supplies						
016-1262-00			All		1	3-Color Thermal Transfer Roll, 342 images/roll
016-1262-10			All		1	3-Color Thermal Transfer Roll, 50 images/roll
016-1262-50			All		1	3-Color Thermal Transfer Roll, 342 images/roll, case of four
016-1188-00			All		1	Black Thermal Transfer Roll, 880 images/roll
016-1188-50			All		1	Black Thermal Transfer Roll, 880 images/roll, case of four
016-1222-00			All		1	ColorCoat Thermal Transfer Roll, 214 images/roll
016-1222-50			All		1	ColorCoat Thermal Transfer Roll, 214 images/roll, case of four
016-1183-00			All		1	Letter (A) 1000 shts/case 8.5 x 11in. Perf. Thermal
016-1184-00			All		1	A4 1000 shts/case 210 x 297 mm Perf. Thermal
016-1223-00			All		1	Letter (A) 500 shts/case 8.5 x 11in Perf. Laser, use with ColorCoat Thermal Transfer Roll
016-1224-00			All		1	A4 500 shts/case 210 x 297 mm Perf. Laser, use with ColorCoat Thermal Transfer Roll
016-1185-01			All		1	Letter(A) 50 shts/pack 8.5 x 11in. Perf. Transparency (Paper Bk)
016-1185-51			All		1	Letter(A) 50 shts/pack 8.5 x 11in. Perf. Transparency (Paper Bk), case of 20

Part Number	Figure	Exch.	Used In	New	QTY	Name & Description
Printing Supplies						
016-1186-01			All		1	A4 50 shts/pack 210 x 297 mm Perf Transparency (Paper Bk)
016-1186-51			All		1	A4 50 shts/pack 210 x 297 mm Perf Transparency (Paper Bk), case of 20
016-1274-00			All		1	Fabric Transfer Media(Letter(A) 12.3 in. long, 25 sheets)
016-1274-50			All		1	Fabric Transfer Media(Letter(A) 12.3 in. long, 25 sheets), case of 20
016-1275-00			All		1	Fabric Transfer Media(A4 321 mm long, 25 sheets)
016-1275-50			All		1	Fabric Transfer Media(A4 321 mm long, 25 sheets), case of 20

Legend :

All This means all Phaser 200's, 220's, and 240's can use this part.

200 This means Phaser 200's, can only use this part.

220 This means Phaser 220's, can only use this part.

240 This means Phaser 240's can only use this part.

Note 1 The Phaser 240, Z240, operates with a minimum of 5 Megs, this will not allow 600 x 300 DPI printing, i.e., high resolution mode. The 5 Megs is made up of 1 Meg on the PXi board and a 4 Meg SIMM placed in J6. A 4 Meg SIMM must always occupy the first SIMM slot J6. SIMM Slot J7 can accommodate 0, 4, 8, or 16 Meg SIMM's, for a total of 5, 9, 13, or 21 Megs of memory. The printer needs at least 13 Megs for 600 x 300 dpi, or high resolution printing. The memory options are 4690F4M, 4681F8M, or 4685F16, providing 4, 8, or 16 Megs respectively.

Note 2 The Phaser 240, Z240, comes with 17 fonts standard that can be expanded to 39 with the addition of font ROM option 4681F1F.

Note 3 The Phaser 240, Z240, can have the Ethernet Hardware plus EtherTalk and Novell with option 4680FP1. Option 4680FP2 adds the TCP/IP protocol to option 4680FP1. This printer does not support TokenRing.

Note 4 See Service Bulletin SB 187 for the contents of this hardware kit.