

Appendix B SPARE PARTS LIST

Quantity per year: Indicates the recommended number of each part that should be ordered for routine maintenance for one year for 500 units of printers and assuming that the printers are operated for 2 hours/day of 600 hours/year. The following codes are used to indicate the number of printers for which maintenance parts are ordered.

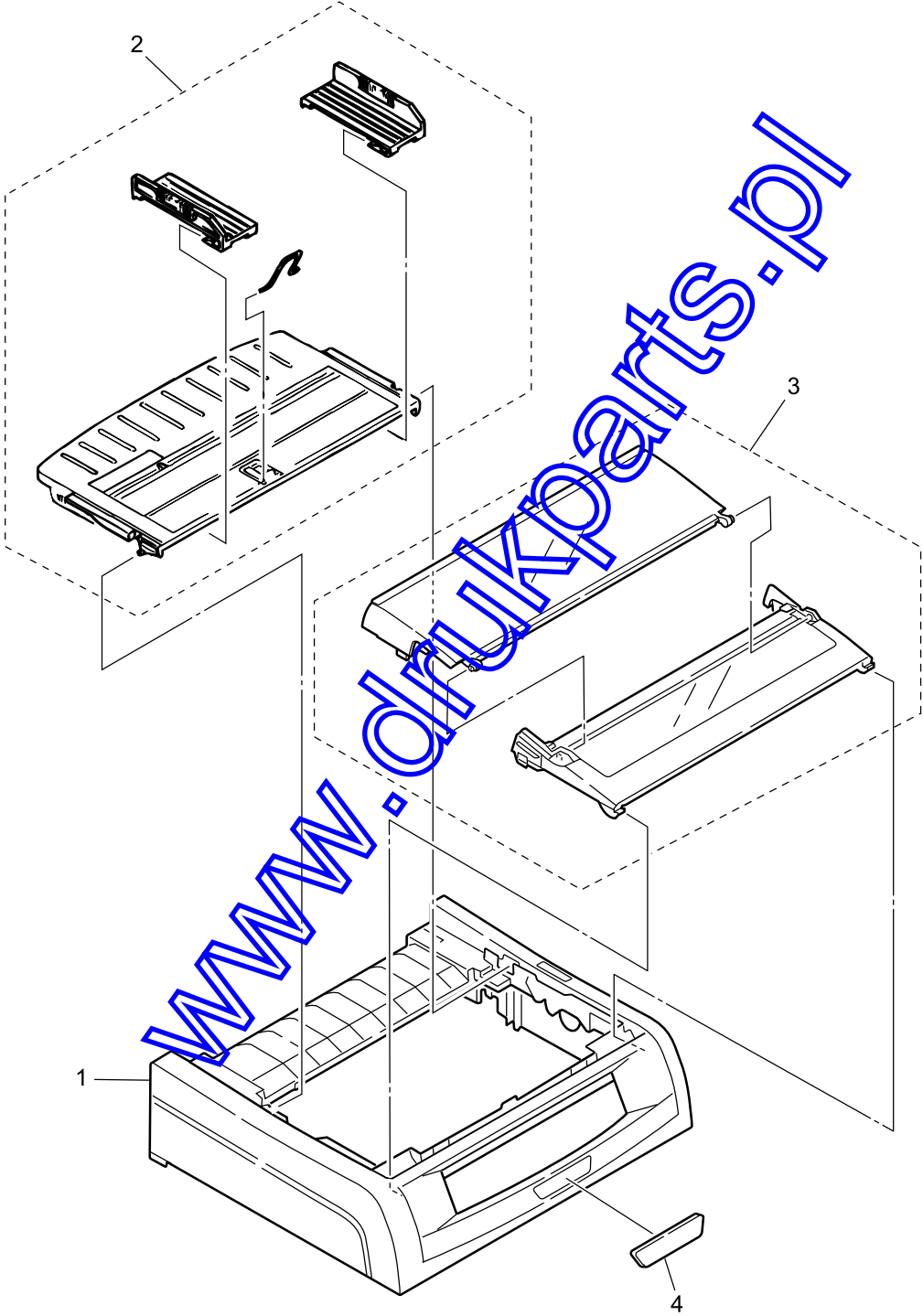


Figure B-1 Upper Cover Assy

Table B-1 Upper Cover Assy

No.	Part No.	Description	Q'ty	Q'ty Required	Remarks
1	42040801	Upper cover (N)	1	2	For PD428
	42040901	Upper cover (W)	1	2	For PD429
2	1PA4094-7305G010	Sheet guide assy (N)	1	2	For PD428
	1PA4094-7308G011	Sheet guide assy (W)	1	2	For PD429
3	42115401	Access cover assy (N)	1	2	For PD428
	42115301	Access cover assy (W)	1	2	For PD429
4	42087103	Logo plate	1	2	For PD428 AOS/ INTER
	42087107	Logo plate	1	2	For PD428 QDA
	42087104	Logo plate	1	2	For PD429 AOS/ INTER
	42087108	Logo plate	1	2	For PD429 QDA

www.drukparts.nl

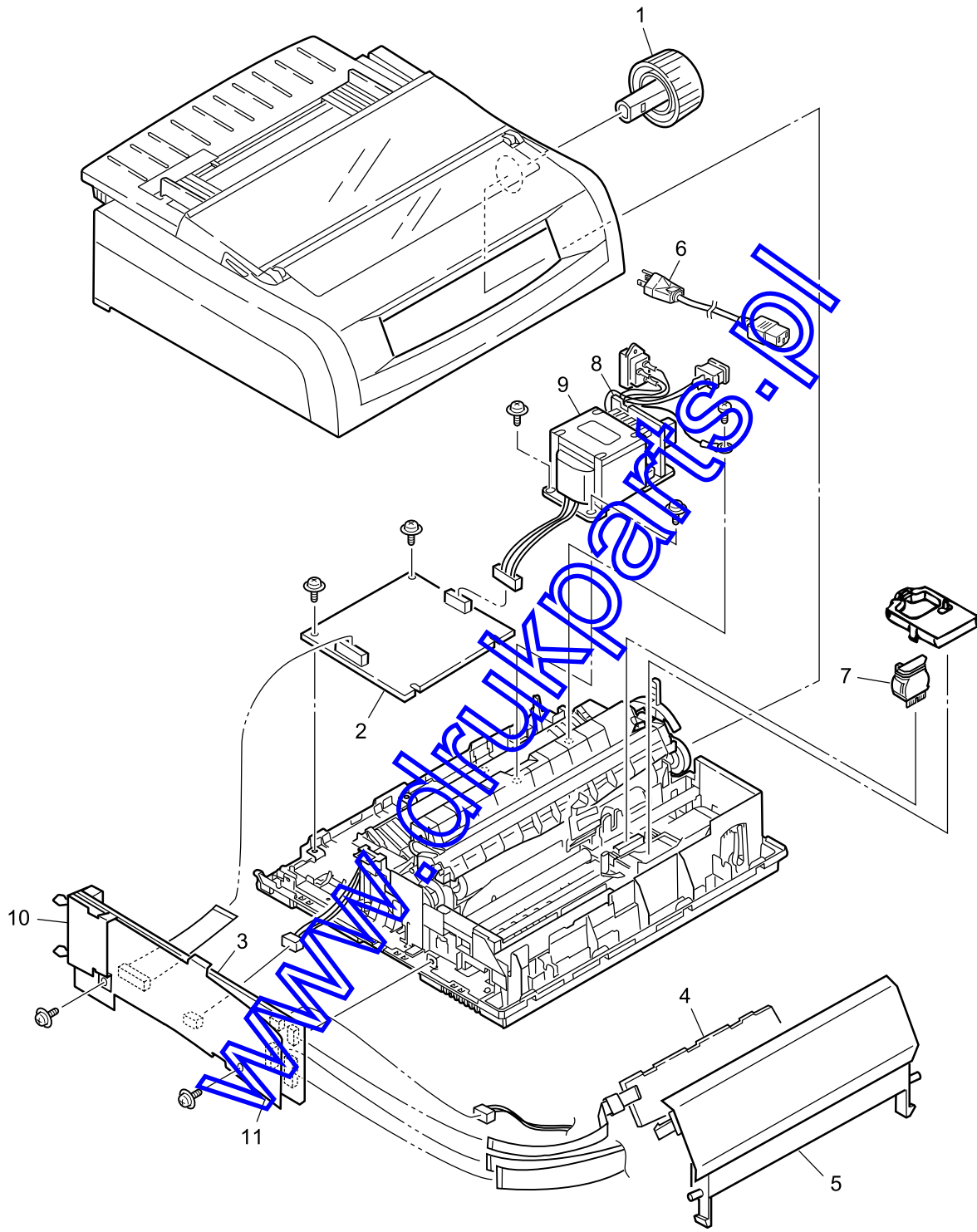


Figure B-2 Printer General Assy

Table B-2 Printer General Assy

No.	Part No.	Description	Q'ty	Q'ty Required	Remarks
1	2PP4025-2871P021	Platen Knob	1	1	
2	42024002	Power supply board (TPW)	1	9	
3	42020002	Control board (TFS)	1	9	
4	4YA4042-1516G009	Operator panel board (LEOP)	1	3	
5	42116101	Operation panel	1	2	
6	3YS4011-1315P001	AC cord for 120V	1	1	For OPA
	3YS4011-1266P001	AC cord for 230V	1	1	For OJA/OE
	41888902	AC cord for 230V	1	1	For OEL
7	42124201	Print head (24)	1	10	
8	42124701	Fuse-Trans (125V 3.15A)	1	10	For 120V
	42124702	Fuse-Trans (250V 1.6A)	1	10	For 230V
9	42021401	Transformer assy	1	2	For 120V
	42021501	Transformer assy	1	2	For 230V
10	42105001	FG plate B	1	2	
11	42257901	PCB sheet	1	2	

www.druckparts.pl

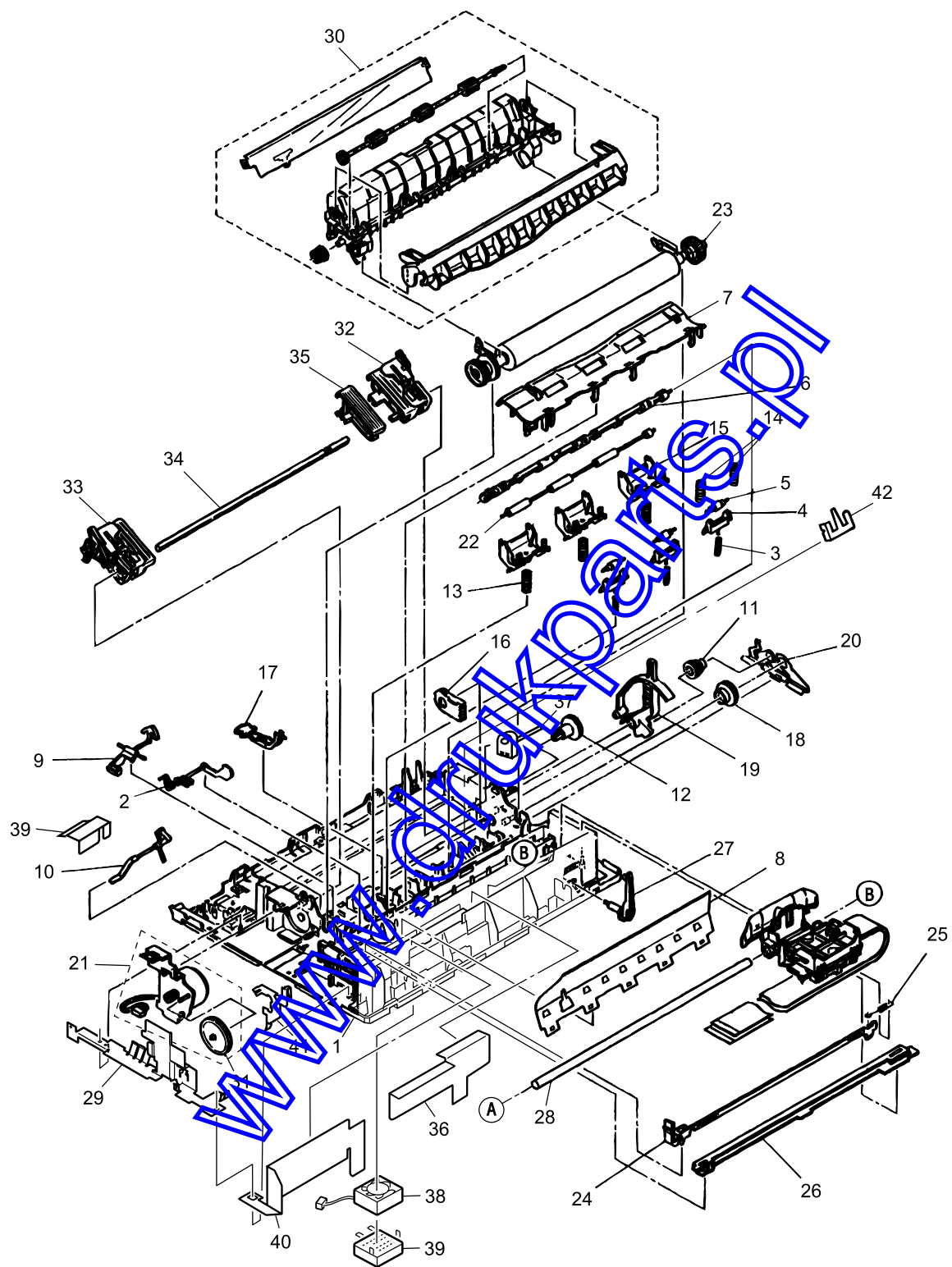


Figure B-3 Printer Unit

Table B-3 Printer Unit (1/2)

No.	Part No.	Description	Q'ty	Q'ty Required	Remarks	ODA#	
1	42114901	Main chassis assy (N)	1	2	For PD428		
	42115001	Main chassis assy (W)	1	2	For PD429		
2	3PP4044-5012P001	Bottom paper end lever	1	1			
3	4PP4044-5019P001	Pressure spring (F)	3	2	For PD428		
			5	4	For PD429		
4	4PP4044-5031P001	Roller holder (F)	3	6	For PD428		
			5	8	For PD429		
5	4PA4025-3327G002	Front pressure roller	3	6	For PD428		
			5	8	For PD429		
6	3PP4044-5015P001	Release shaft (N)	1	2	For PD428		
	3PP4044-5157P001	Release shaft (W)	1	2	For PD429		
7	1PP4044-5021P001	Paper pan plate (N)	1	2	For PD428		
	1PP4044-5158P001	Paper pan plate (W)	1	2	For PD429		
8	42256301	Leaf spring (N)	1	2	For PD428		
	42256201	Leaf spring (W)	1	2	For PD429		
9	3PP4044-5011P001	Paper end lever	1	1			
10	40775901	Sensor lever	1	1			
11	4PP4025-3340P001	Change gear	1	2			51228001
12	3PP4025-3341P001	Tractor gear	1	2			51228101
13	4PP4044-5020P001	Pressure spring (R)	3	2	For PD428		
			3	2	For PD429		
14	4PP4044-5163P001	Pressure spring (W)	2	1	For PD429		
15	3PP4044-5033P001	Roller holder (R)	3	6	For PD428		
			5	10	For PD429		
16	4PP4044-5017P001	Change arm	1	2			
17	3PP4044-5014P001	Switch lever	1	1			
18	4PP4044-5024P001	Idle gear	1	2			
19	2PP4044-5016P001	Change lever	1	2			
20	3PP4044-5023P001	Reset spring	1	2			
21	41737902	LF motor assy	1	4			
22	3PP4044-5034P001	Rear pressure roller (N)	1	2	For PD428		
	3PP4044-5162P001	Rear pressure roller (W)	1	2	For PD429		
23	3PA4044-5025G002	Platen assy (N)	1	3	For PD428		
	3PA4044-5159G002	Platen assy (W)	1	3	For PD429		
24	40907901	Space rack gear (N)	1	3	For PD428		
	40908001	Space rack gear (W)	1	3	For PD429		
25	4PB4025-3377P002	Rack tension spring	1	1		50923501	

Table B-3 Printer Unit (2/2)

No.	Part No.	Description	Q'ty	Q'ty Required	Remarks	ODA#
26	3PP4044-5008P001	Guide rail plate (N)	1	1	For PD428	
	3PP4044-5155P001	Guide rail plate (W)	1	1	For PD429	
27	3PP4025-2810P001	Adjust cam	1	1		
28	4PP4044-5009P001	Carriage shaft (N)	1	1	For PD428	
	4PP4044-5009P002	Carriage shaft (W)	1	1	For PD429	
29	42104901	FG plate (Weld)	1	1		
30	42044701	Pull-up roller assy (N)	1	2	For PD428	
	42045701	Pull-up roller assy (W)	1	2	For PD429	
31	40355101	Idle gear (9)	1	4		
32	4PA4044-5041G002	Tractor frame assy (R)	1	2		
33	4PA4044-5043G002	Tractor frame assy (L)	1	2		
34	4PP4025-3335P003	Drive shaft	1	2	For PD428	
	4PP4025-3335P004	Drive shaft	1	2	For PD429	
35	3PP4044-5046P001	Tractor sheet guide	1	2	For PD429	
36	42111701	Head cable film (W)		2		
37	3PP4044-5089P001	Change gear shaft		2		
38	42119001	FAN	1	4		
39	42086601	FAN cover	1	2		
40	42277201	Shield sheet (Front)	1	2	For PD429	
	42277202	Shield sheet (Front)	1	2	For PD428	
41	42105201	FG spring F	1	2		
42	4PP4044-5018P001	Support spring	1	2		

www.druckparts.pl

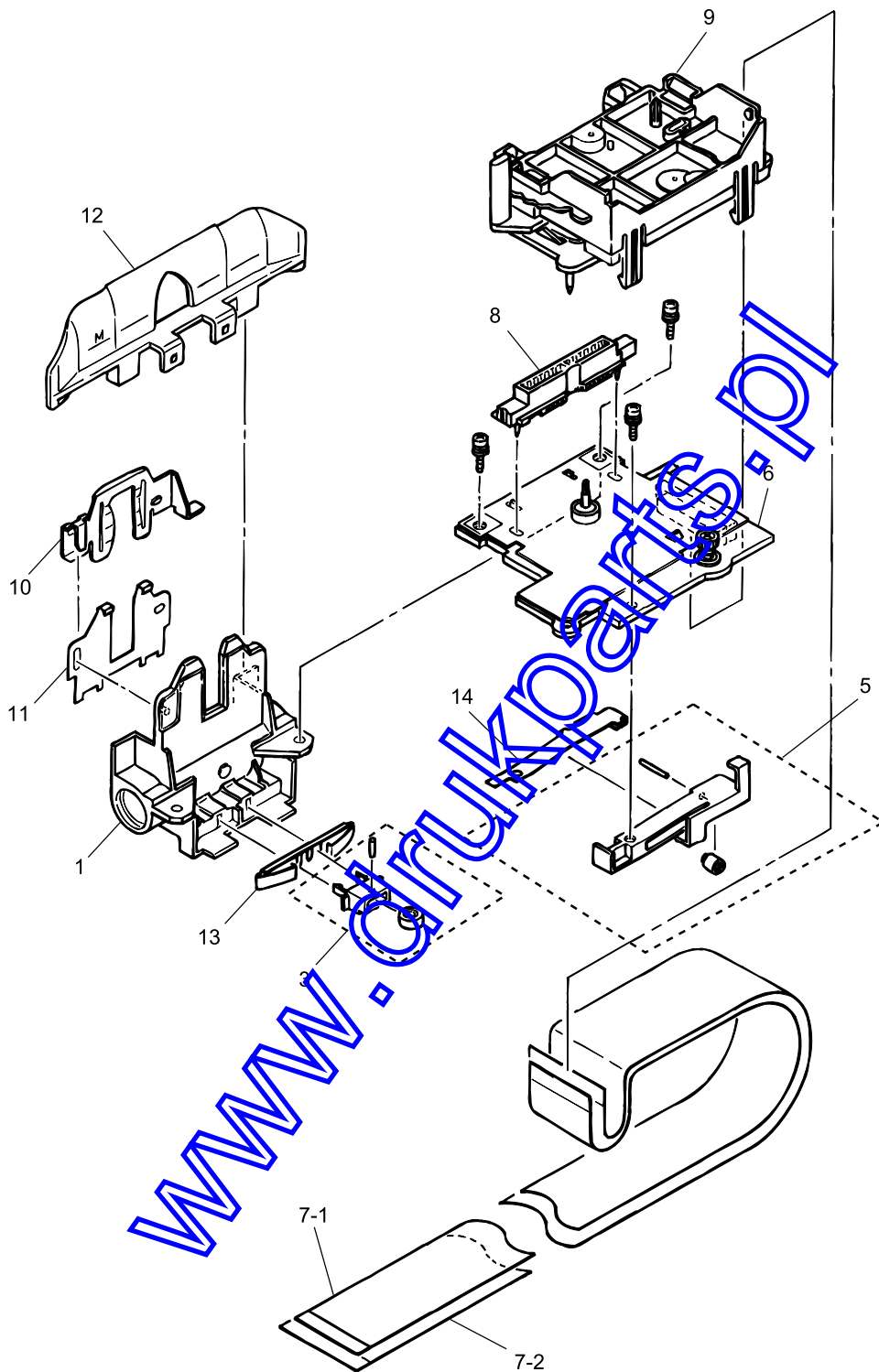


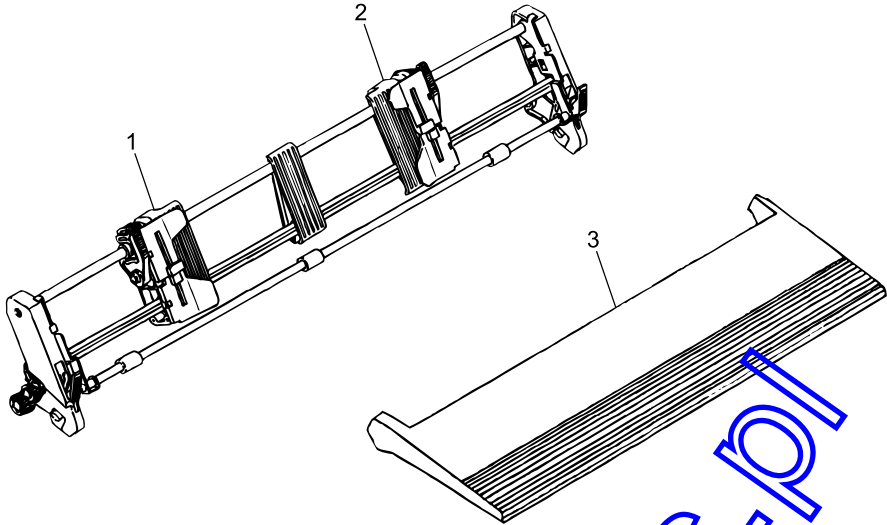
Figure B-4 Carriage Assy

Table B-4 Carriage Assy

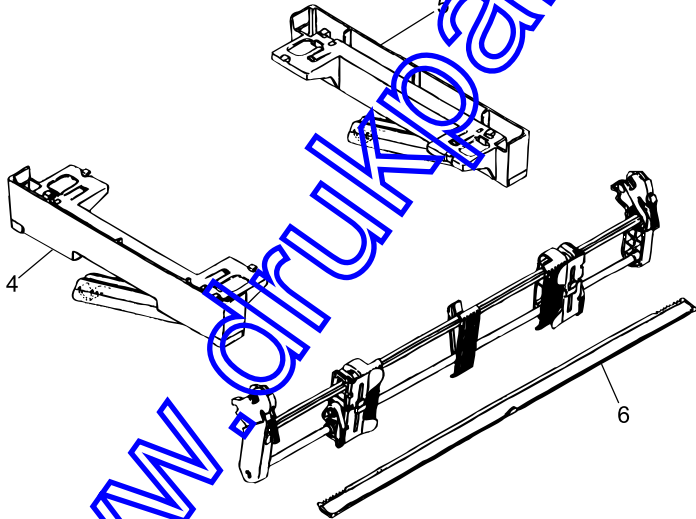
No.	Part No.	Description	Q'ty	Q'ty Required	Remarks	ODA#
1	4PP4044-5061G001	Carriage frame set	1	2		
2						
3	40917101	Back up roller holder assy	1	2		53341801
4						
5	40493301	Guide-roller assy	1	2		53341901
6	42104201	Space motor assy (24)	1	4		
7-1	42177301 42177302	Head cable (23)	1	5		
7-2	42112401 42177402	Head cable (20)	1	5		
8	3PB4025-1241P001	PC connector (36/40)	1	2		
9	3PA4044-5070G001	Gear case assy	1	1		
10	3PP4044-5068P001	Head clamp holder	1	1		
11	4PP4044-5067P001	Head plate	1	1		
12	3PP4044-5064P001	Ribbon protector frame	1	2		53562801
13	4PP4025-3397P002	Back up roller holder spring	1	1		
14	4PP4044-5066P001	Guide roller holder spring	1	1		

www.druckparts.pl

[Pull-Tractor]



[Bottom-Tractor]



[I/F Board]

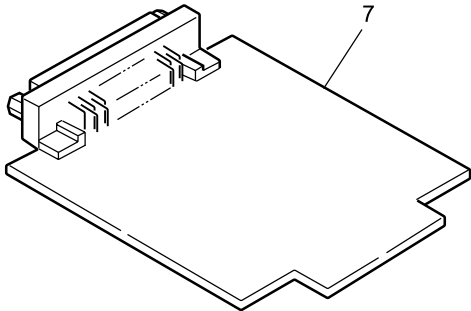


Figure B-5 Option Spare Parts

Table B-5 Option Spare Parts

No.	Part No.	Description	Q'ty	Q'ty Required	Remarks	ODA#
1	4PA4025-3608G001	Pull and bottom tractor assy (L)	1	2		
2	4PA4025-3603G001	Pull and bottom tractor assy (R)	1	2		
3	2PP4128-1239G001	Tractor cover assy (N)	1	3	For PD428	
	2PP4128-1243G001	Tractor cover assy (W)	1	3	For PD429	
4	1PA4128-1277G001	Bottom push stand (L)	1	2		
5	1PA4128-1277G002	Bottom push stand (R)	1	2		
6	4PP4094-7385G001	Paper knife (N)	1	1	For PD428	
	4PP4094-7386G001	Paper knife (W)	1	1	For PD429	
7	4YA4021-1050G001	RS232C I/F board (LXHI)	1	3		

www.drukparts.pl

Equipment	Head Cable (Binding)	
	20P Cable (Fig7-1)	25P Cable (Fig7-2)
ML5590	42252801	42252704
ML5591	42252802	42252702
ML5520	-	42252703
ML5521		42252701