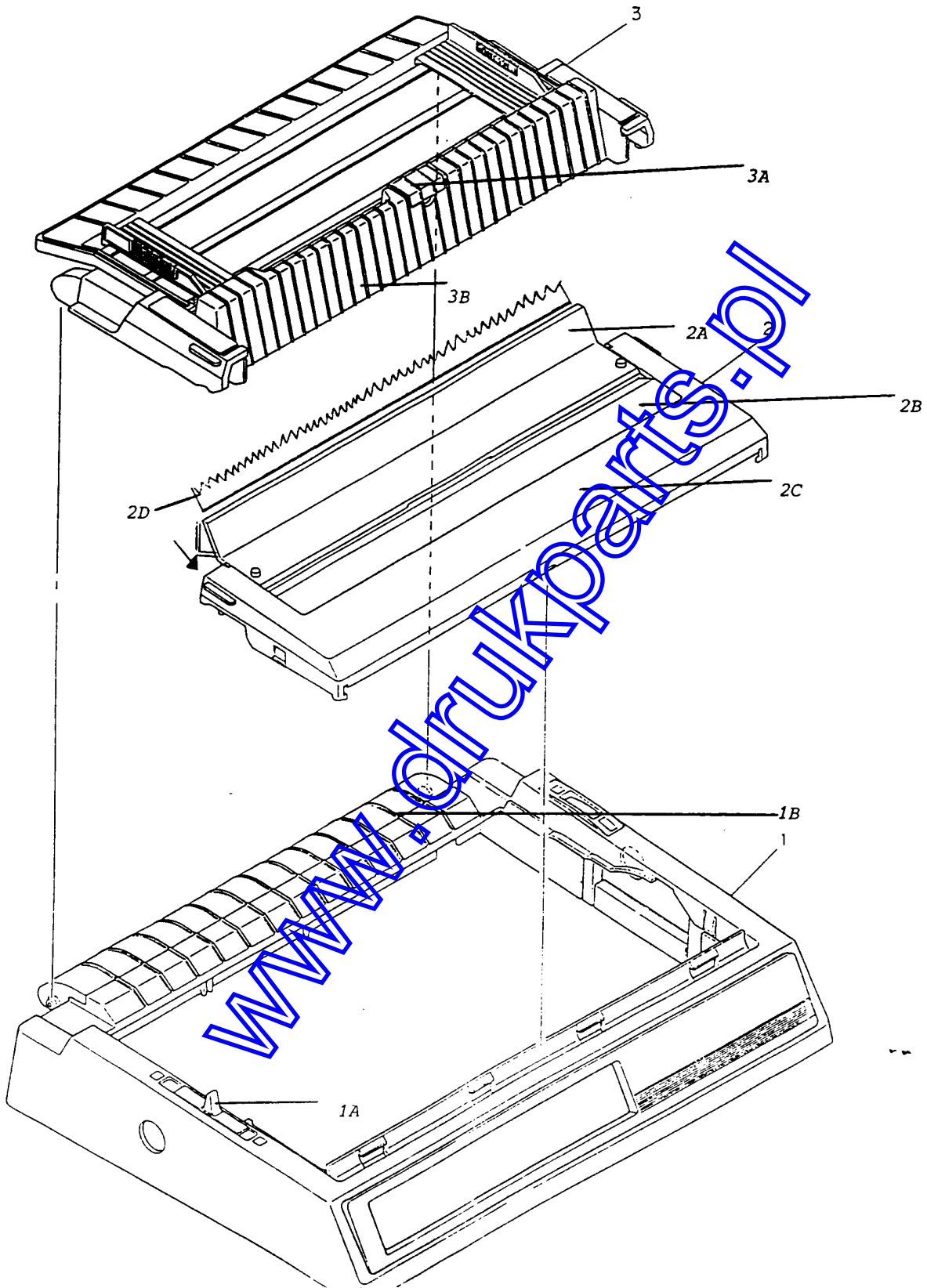

**ERSATZTEILLISTE
ML 393/393C ELITE**

**SPARE PARTS LIST
ML 393/393C ELITE**

www.drukparts.pl

ZEICHNUNG 1 - DRUCKER ABDECKUNGEN (FIGURE 1 - PRINTER COVERS)

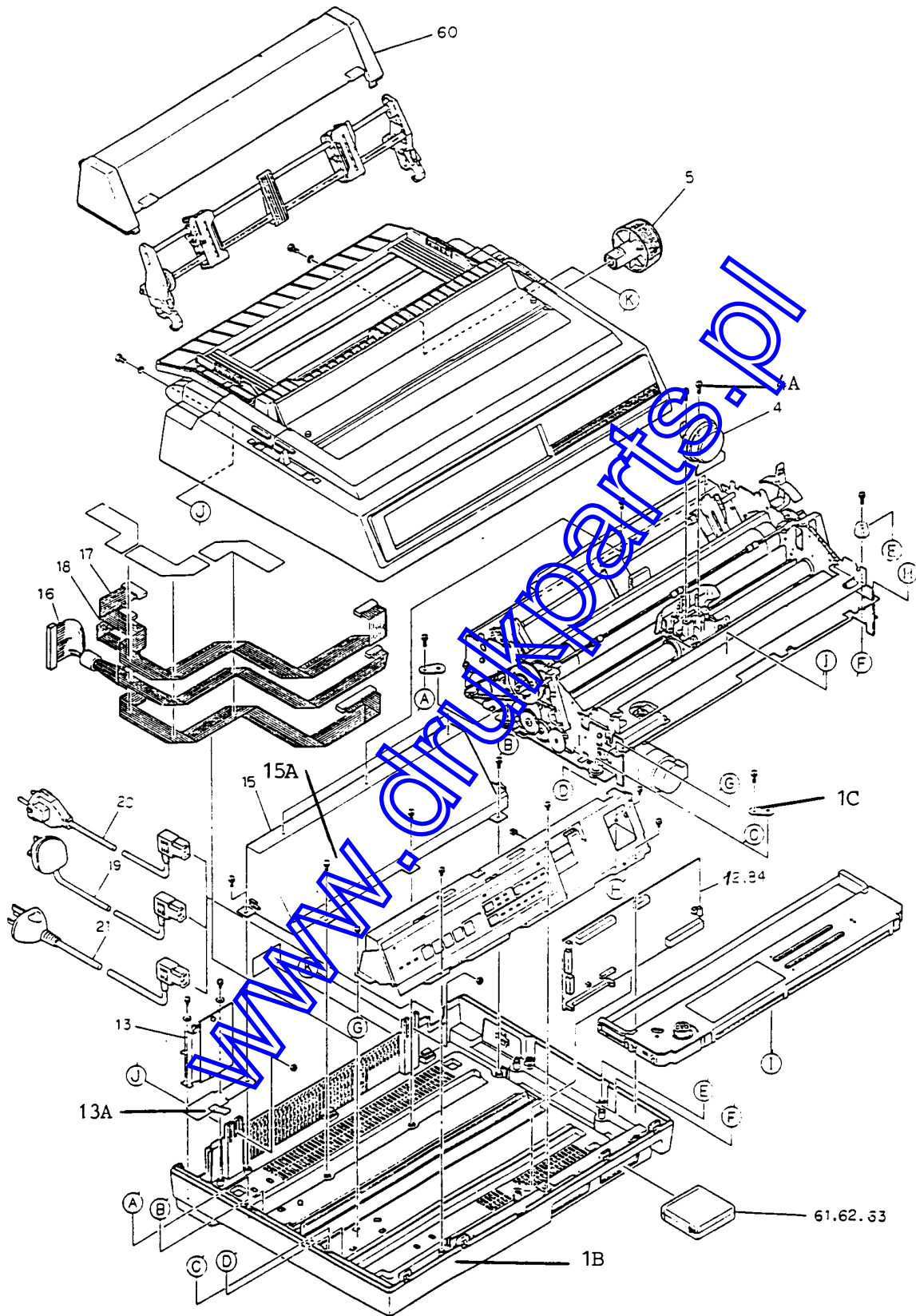


LISTE 1 - DRUCKER ABDECKUNGEN (TABLE 1 - PRINTER COVERS)

NR. NO.	BEZEICHNUNG PART NAME	BESTELL-NR. PART NO
1	MIDDLE COVER ASSY	2PA4016-4723G23
1A	SLIDE LEVER	3PP4016-4513P1
1B	PAPER GUIDE	1PP4016-4529P1
2	ACCESS COVER ASSY	2PA4016-4724G3
2A	SOUND PROOF PLATE A	1PP4016-4512P1
2B	ONE INCH CUT COVER	1PP4016-4522P1
2C	ACCESS COVER	1PP4016-4521P1
2D	ONE INCH CUTTER	1PP4016-5887P1
3	REAR COVER ASSY	2PA4016-4725G1
3A	DISTURB	3PP4016-4530P1
3B	SEPARATOR	3PP4016-5438G1

www.druckparts.pl

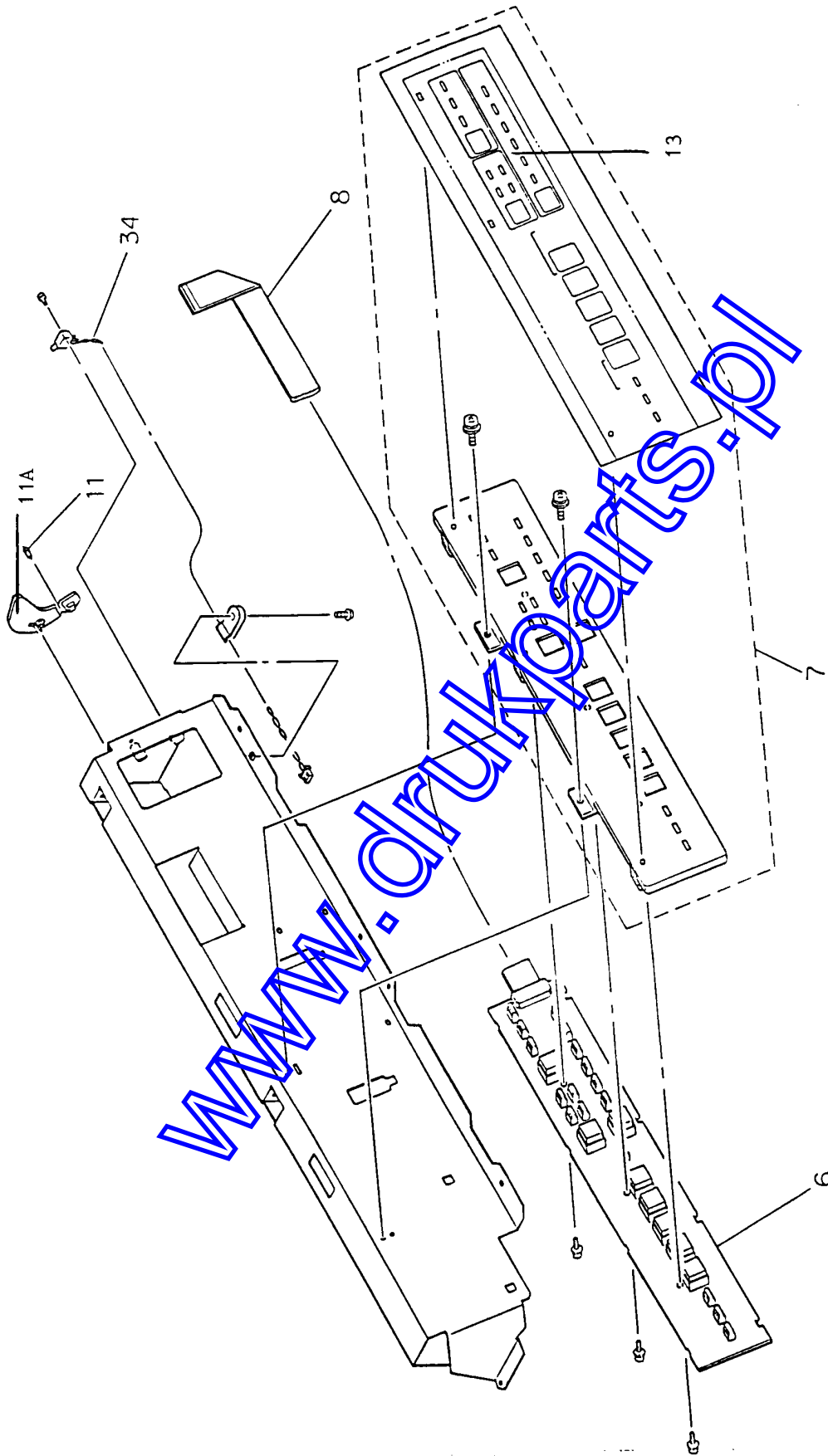
ZEICHNUNG 2 - DRUCKER EINHEIT (FIGURE 2 - PRINTER UNIT)



LISTE 2 - DRUCKER EINHEIT (TABLE 2 - PRINTER UNIT)

NR. NO.	BEZEICHNUNG PART NAME	BESTELL-NR. PART NO
1B	LOWER COVER	2YX4100-1046G1
1C	MECH. FIXING PLATE	4PP4016-4712P1
4	PRINthead	4YA4023-1100G1
4A	SCREW	+P(SW+W)4-12-HHC
5	PLATEN KNOB	3PP4043-2501P1
12	MAIN PCB (LQEM-3 PCB)	4YA4042-1460G13
13	INTERFACE CONNECTOR ASSY	4YA4042-1293G12
13A	EARTH PLATE	4PP4016-4718P1
15	POWER SUPPLY ASSY	4YB4049-1278P2
	POWER SUPPLY 120V	4YB4049-1278P2
15A	FAN ALT	FP-14134-1
	FAN NEU	FP-14134-1
16	I/F CONNECTION CORD	3YS4011-7312G1
17	POWER CONNECTION (9P)	4YS4011-6295G1
18	POWER CONNECTION (13P)	4YS4011-6253G3
19	AC CABLE	3YS4011-1052P1
60	TRACTOR COVER	2PA4016-4722G1
84	SIEHE LISTE 7 (FARB VERSION)	

ZEICHNUNG 3 - BEDIENER FELD (FIGURE 3 - OPERATOR PANEL)

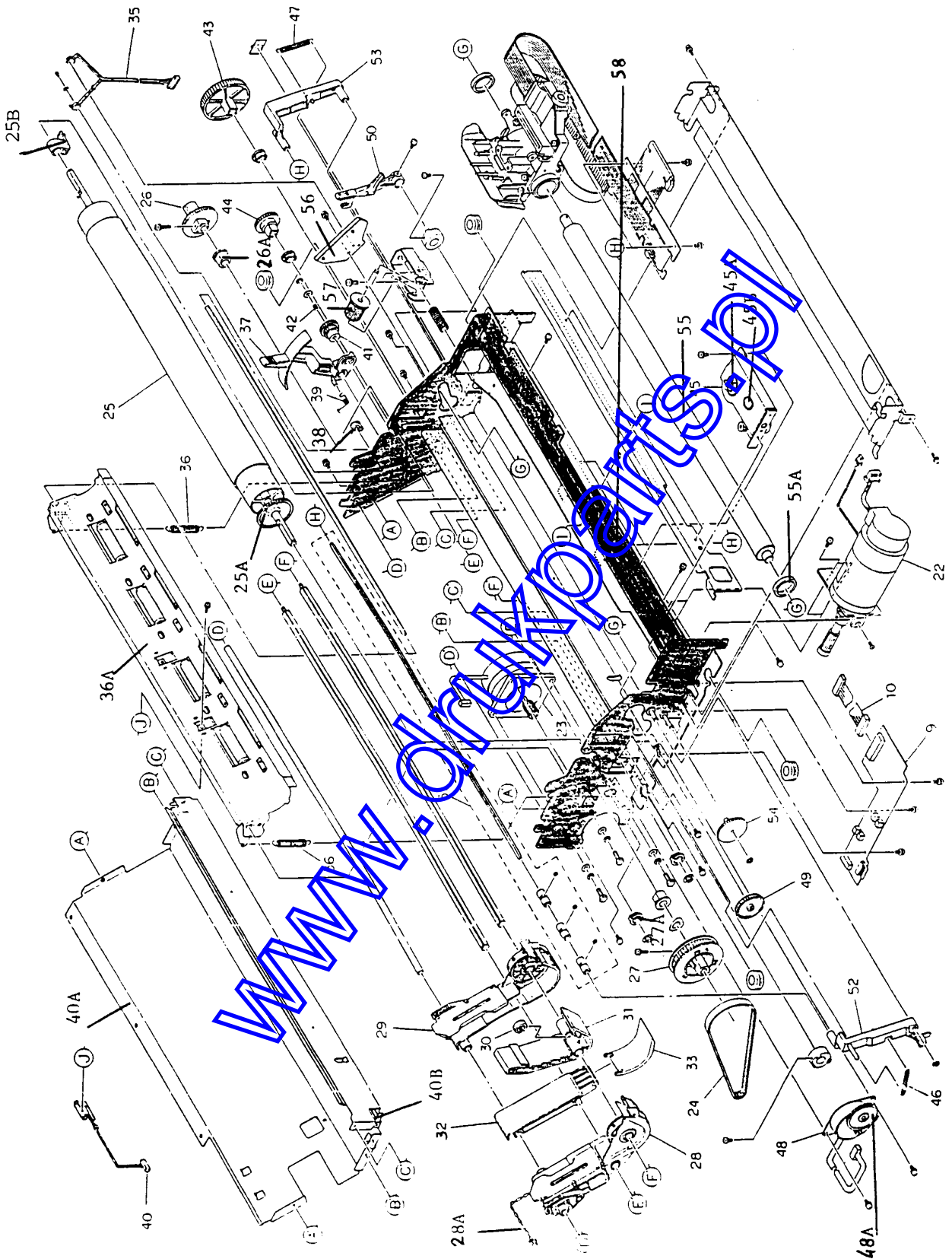


LISTE 3 - BEDIENER FELD (TABLE 3 - OPERATOR PANEL)

NR. NO.	BEZEICHNUNG PART NAME	BESTELL-NR. PART NO
6	OPERATION PANEL PCB LQSW	4YA4042-1299G1
7	OPERATION PANEL	3PP4043-2712G4
8	CORD (SUMI-CARD 393)	4LP-5466-8
11	SPRING (COVER OPEN LEVER)	LB-192200-5
11A	COVER OPEN LEVER	3PP4016-5387P1
13	OPERATION PANEL SHEET FÜR NON-ELITE	2PB4016-4810P1
13	OPERATION PANEL SHEET FÜR ELITE	2PB4016-4810P3
34	MICRO SWITCH CABLE ASSY	3YX4043-2759G1

www.drukparts.pl

ZEICHNUNG 4 - DRUCK MECHANISMUS (FIGURE 4 - PRINTER MECHANISM)



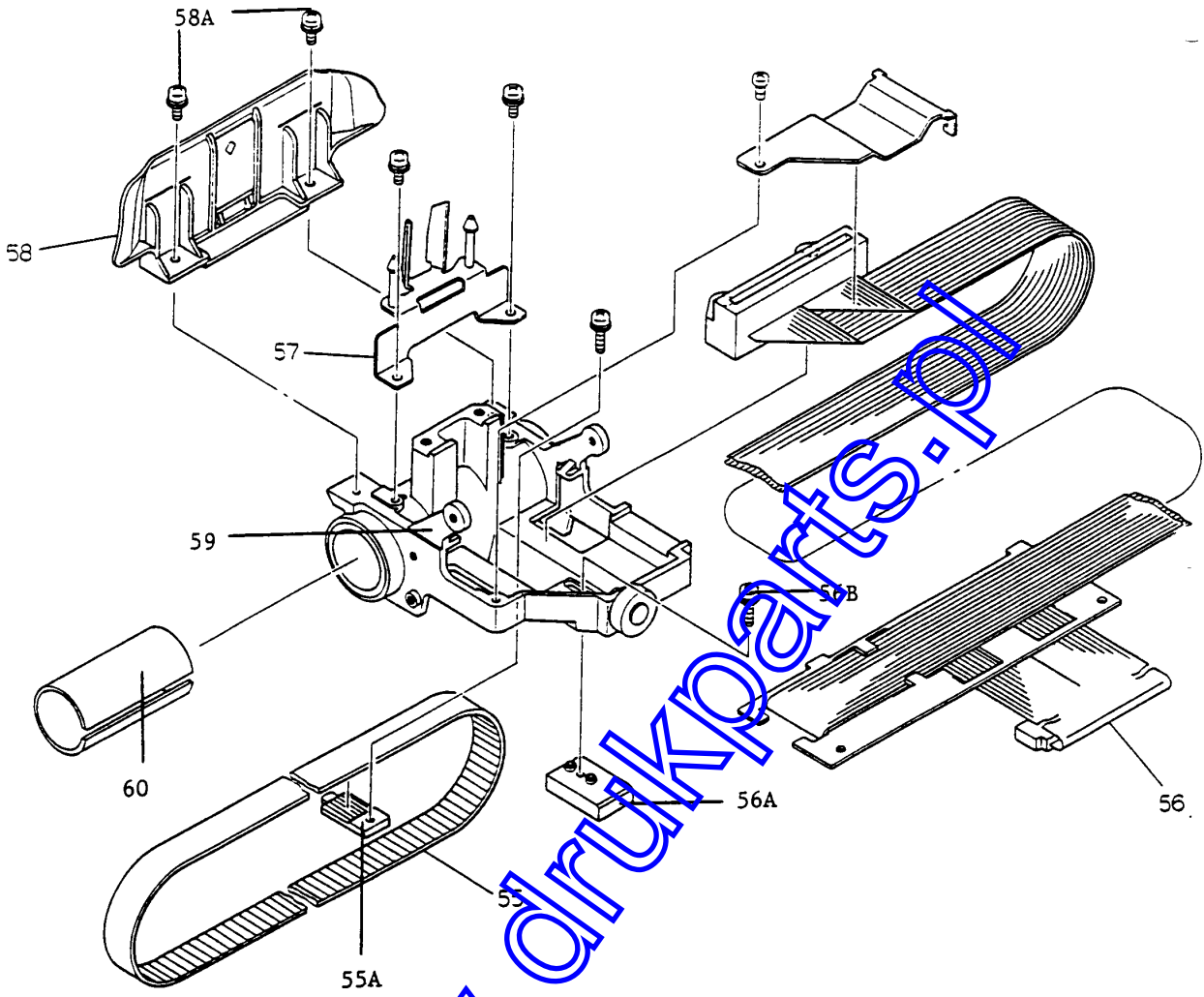
LISTE 4 - DRUCK MECHANISMUS (TABLE 4 - PRINTER MECHANISM)

NR. NO.	BEZEICHNUNG PART NAME	BESTELL-NR. PART NO	BEMERKUNG REMARKS
9	SENSOR BOARD (LQEW)	4YA4042-1462G1	
10	SENSOR BOARD CONN. CORD	4YS4011-4321P1	
22	SPACE MOTOR ASSY	3YX4043-2550G1	
23	LF MOTOR ASSY	3PB4043-3853P1	
24	MINI PITCH BELT (LF)	4LP-1313-239	
25	PLATEN ASSY	4PA4043-2556G1	
25A	CSF DRIVE GEAR	4PP4043-2502P1	
25B	PLATEN LEVER	4PP4043-3852P1	
26	PLATEN GEAR	3PP4043-2466P1	
26A	PLATEN BEARING	4PP4044-1276P1	
27	PLATEN PULLEY	4PP4043-2485G1	
27A	BUSH	4PP4043-2455P1	
28	PUSH TRACTOR ASSY (L)	3YX4043-2561G1	
28A	MICRO SW ASSY	4YX4043-2751G1	
29	PUSH TRACTOR ASSY (R)	3PA4043-2562G1	
30	FRICTION PIECE	4PP4043-2451P1	
31	CENTER GUIDE UPPER	3PP4043-2452P1	
32	CENTER GUIDE LOWER A	3PP4043-2453P1	
33	CENTER GUIDE LOWER B	3PP4043-2454P1	
35	M.S. CABLE ASSY (ADJUST & RELEASE LEVER)	4YX4043-2784G1	
36	SPRING (PAPER CHUTE)	4LB-193400-1	
36A	PAPER CHUTE ASSY	2YX4043-2570G1	
37	RELEASE LEVER	3PP4043-2459P1	
38	RELEASE LEVER GUIDE BLOCK	4PP4043-2460P1	
39	DETENT SPRING (FOR RELEASE LEVER)	4PB4043-2754P1	
40	SENSOR ASSY	4YX4043-2576G1	
40A	REAR FRAME	3PP4043-2580G1	
40B	BOTTOM PAPER END LEVER	4PP4043-2475P1	
41	IDLE GEAR	4PP4043-2458P1	
42	SPRING (FOR IDLE GEAR)	4LB-190600-6	
43	DRIVE GEAR A	4PP4043-2456P1	
44	DRIVE GEAR B	4PP4043-2457P1	
45	RIBBON FEED ASSY	4PA4043-2584G1	
45A	COUPLING GEAR ASSY	4PP4043-2592G1	

NR. NO.	BEZEICHNUNG PART NAME	BESTELL-NR. PART NO	BEMERKUNG REMARKS
45B	IDLE GEAR	4PP4043-2484P1	
46	SPRING (BAIL ARM) (L)	4PP4043-2628P1	
47	SPRING (BAIL ARM) (R)	LB-193100-2	
48	STEPPING MOTOR ASSY (BAIL/RIBBON MOTOR)	3PB4043-2601P1	
48A	IDLE GEAR (B)	3PB4055-1078P1	
49	IDLE GEAR	LR-193134-1	
50	ADJUST LEVER	3PP4043-2504P1	
51	INDICATOR SHAFT ASSY	4PA4043-2711G1	
52	BAIL ARM (L)	3PP4043-2509P1	
53	BAIL ARM (R)	3PP4043-2510P1	
54	BAIL OPEN CAM	3PP4043-2764P1	
55	MAIN SHAFT	4PP4043-2565P1	
55A	STOPPER	4PB4043-2593P1	
56	ADJUSTING BRACKET	3PP4043-2505P1	
57	IDLE PULLEY	4PP4043-2596G1	
58	MAIN FRAME	2PP4043-3091G2	

www.druckparts.pl

ZEICHNUNG 5 - DRUCKKOPF ANTRIEB (FIGURE 5 - PRINTHEAD DRIVE)

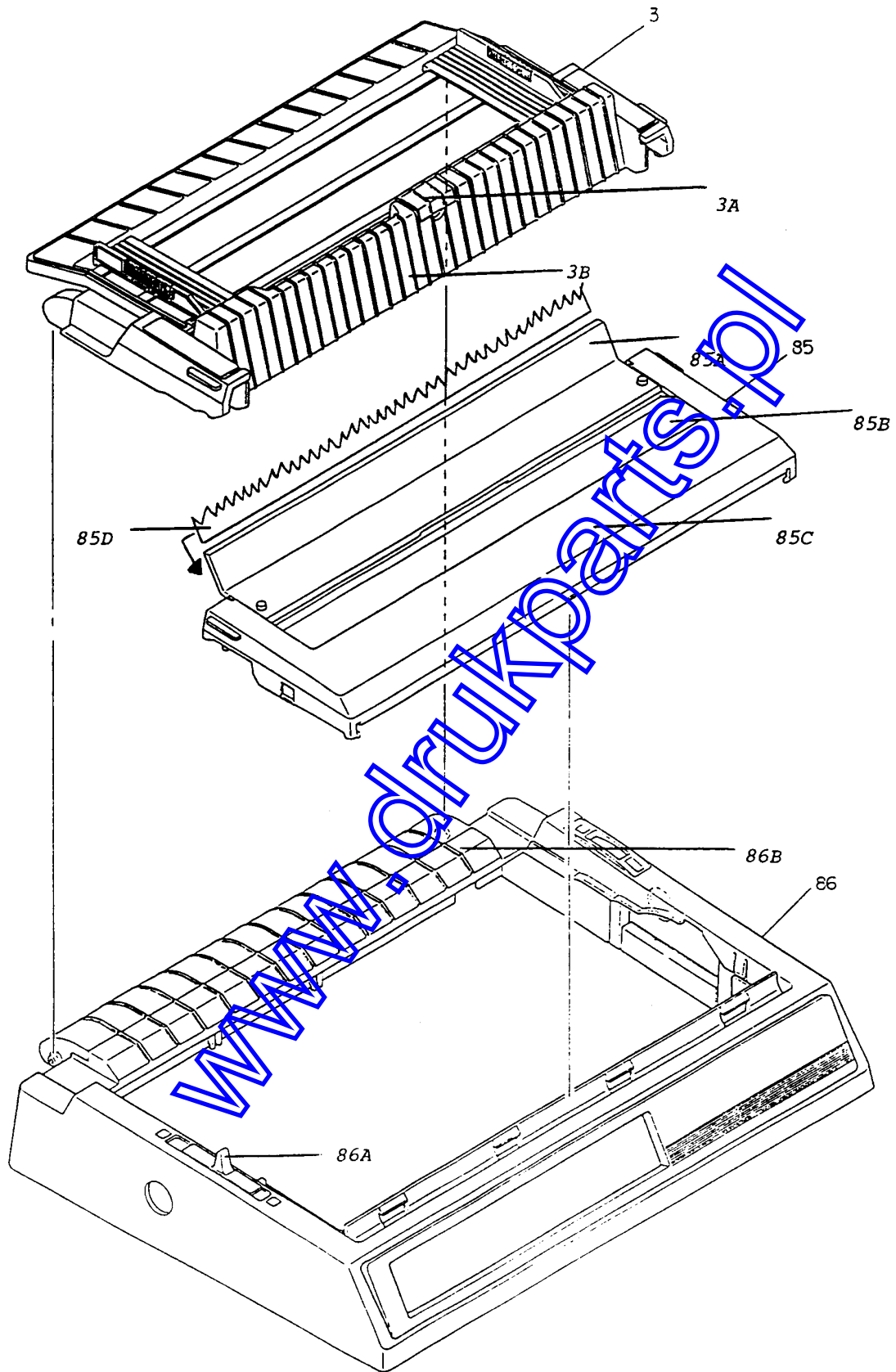


LISTE 5 - DRUCKKOPF ANTRIEB (TABLE 5 - PRINTHEAD DRIVE)

NR. NO.	BEZEICHNUNG PART NAME	BESTELL-NR. PART NO
55	MINI PITCH BELT (SPACING)	4PB4044-1492P3
55A	BELT CLAMP	LR-193368
56	HEAD CABLE ASSY	3YX4043-2713G1
56A	SLIDE GUIDE	4PP4044-1340P1
56B	SCREW	+P(SW+2W)3-8HHC
57	RIBBON GUIDE	4PP4043-2643G1 393B
	RIBBON GUIDE	3PP4043-2477P2 393C
58	RIBBON PROTECTOR	4PP4043-3954G1
58A	SCREW	+P(SW+2W)3-6HHC
59	CARRIAGE FRAME	3PP4043-2611P2
60	OIL FELT	4PP4044-1473P2

www.druckparts.pl

ZEICHNUNG 6 - ABDECKUNGEN (FARB MODELL) (FIGURE 6 - COVERS, COLOR MODEL)

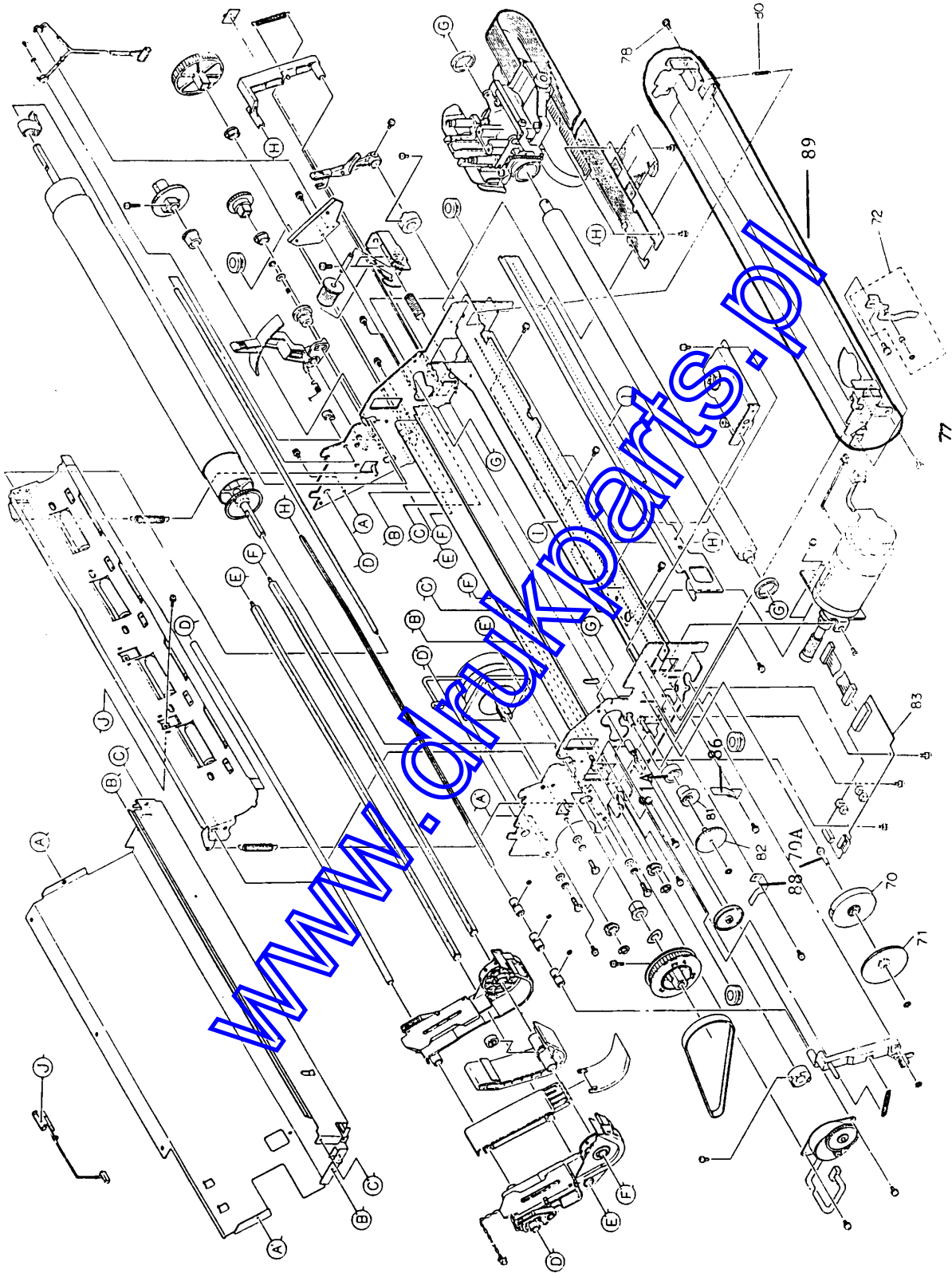


LISTE 6 - ABDECKUNGEN (FARB-MODELL) (TABLE 6 - COVERS - COLOR MODEL)

NR. NO.	BEZEICHNUNG PART NAME	BESTELL-NR. PART NO
3	REAR COVER ASSY	2PA4016-4725G1
3A	DISTURB	3PP4016-4530P1
3B	SEPARATOR	3PP4016-5438G1
85	ACCESS COVER ASSY	2PA4016-4724G1
85A	SOUND PROOF PLATE A	1PP4016-4512P1
85B	ONE INCH CUT COVER	1PP4016-4522P1
85C	ACCESS COVER	1PP4016-4521P1
85D	ONE INCH CUTTER	1PP4016-5887P1
86	MIDDLE COVER ASSY	2PA4016-4723G22
86A	SLIDE LEVER	3PP4016-4513P1
86B	PAPER GUIDE	1PP4016-4520P1

www.drukparts.pl

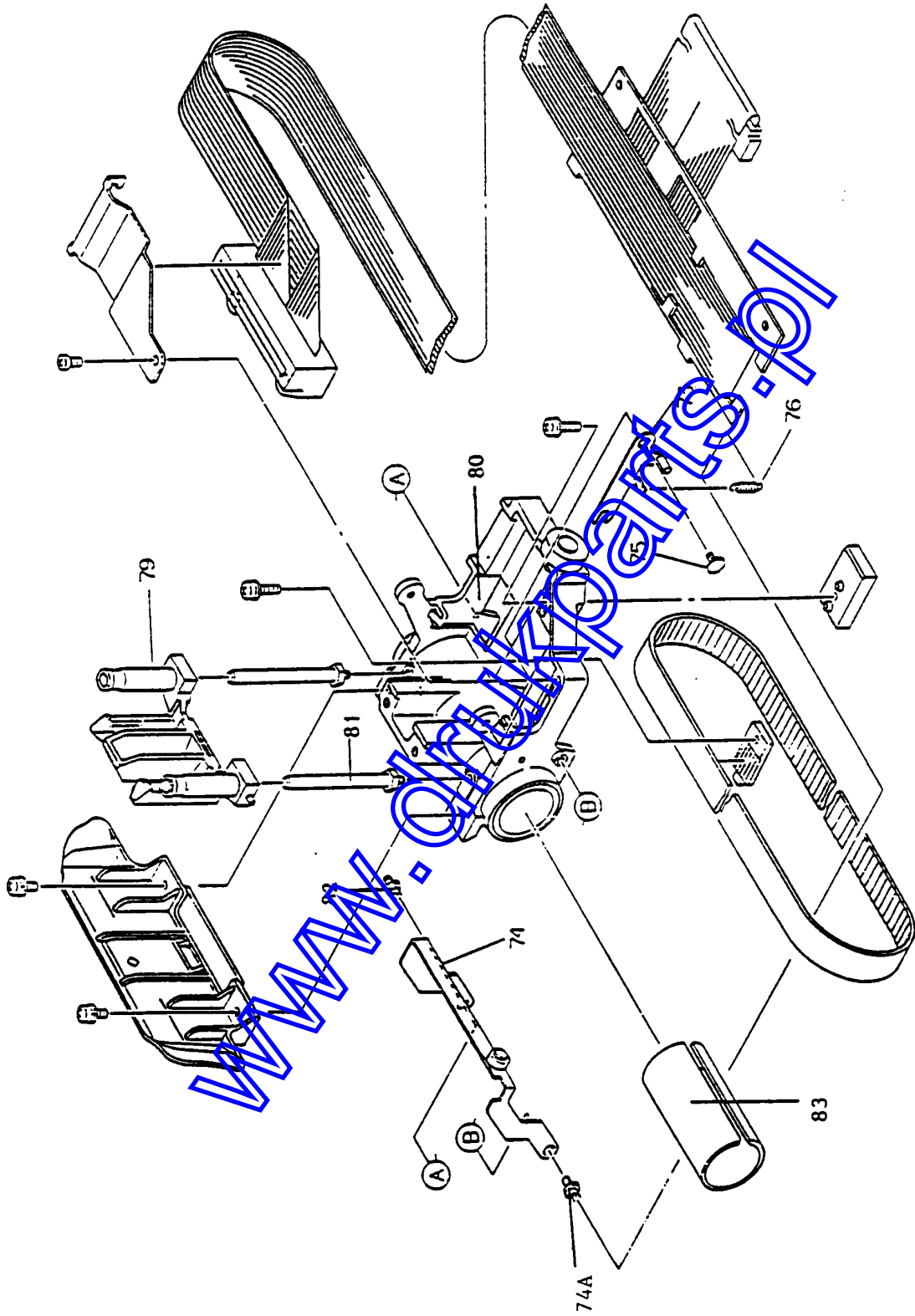
ZEICHNUNG 7 - DRUCK-MECHANISMUS (FARB-MODELL)
(FIGURE 7 - PRINER MECHANISM, COLOR MODEL)



LISTE 7 - DRUCK MECHANISMUS (FARB MODELL)
(TABLE 7 - PRINTER MECHANISM, COLOR MODEL)

NR. NO.	BEZEICHNUNG PART NAME	BESTELL-NR. PART NO
70	RIBBON SHAFT CAM	4PP4043-3325P1
70A	SNAP POST	4PP4043-2730P1
71	RIBBON SHIFT GEAR	4PP4043-2729P1
72	SHIFT CAM LEVER ASSY	4PA4043-2710G1
77	SHOULDER SCREW (L)	4LB-130100-3A
78	SHOULDER SCREW (R)	4LB-130100-6A
80	CARTRIDGE BALANCE SPRING	4PP4043-2642P1
81	BAIL OPEN CAM (NEW)	3PP4043-3321P1
81A	FORMING RING	4PP4043-3241P1
82	BAIL OPEN GEAR	4PP4043-2490P1
83	SENSOR BOARD (LQEW-2)	4YA4043-1462G2
84	MAIN PCB (LQEM-4) (SIEHE ZEICHNUNG 2)	4YA4043-1460G14
86	DETENT SPRING	4PP4043-2731P1
88	BRAKE SPRING	4PP4043-3240P1
89	RIBBON CARTR. BRACKET	2PP4043-2793P1

ZEICHNUNG 8 - DRUCKKOPF ANTRIEB (FARB VERSION)
(FIGURE 8 - PRINthead DRIVE, COLOR VERSION)

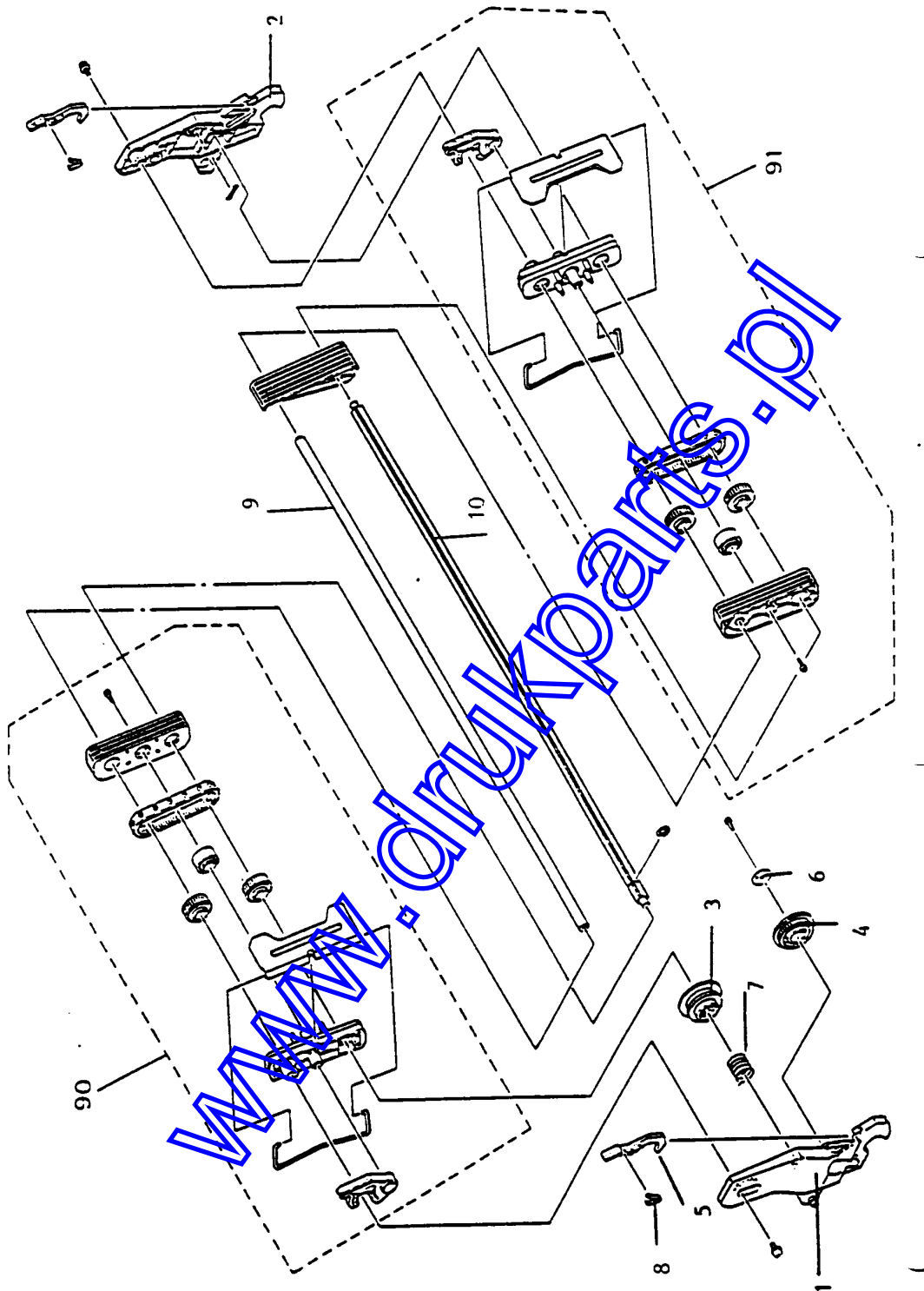


LISTE 8 - DRUCKKOPF ANTRIEB (FARB VERSION)
(TABLE 8 - PRINTHEAD DRIVE, COLOR VERSION)

NR. NO.	BEZEICHNUNG PART NAME	BESTELL-NR. PART NO
73	RIBBON SHIFT ARM	4PP4043-2776G1
74	ROLLER LEVER	4PP4043-2741G1
74A	POST: SPRING	4PP4043-2744P1
75	SCREW	4PP4043-2745P1
76	SPRING (SHIFT ARM)	4PP4043-3803P1
79	RIBBON GUIDE	3PP4043-2477P2
80	CARRIAGE FRAME	3PP4043-2611G1
81	RIBBON GUIDE POST	4PP4043-2615P1
82	SPRING	4PP4043-2744P1
83	OIL FELT	4PP4044-1473P2

www.druckparts.pl

ZEICHNUNG 9 - TRAKTOR (ZUBEHÖR) (FIGURE 9 - TRACTOR, OPTION)



LISTE 9 - TRAKTOR (ZUBEHÖR) (TABLE 9 - TRACTOR, OPTION)

NR. NO.	BEZEICHNUNG PART NAME	BESTELL-NR. PART NO
1	SIDE FRAME (L)	2PP4043-2686P1
2	SIDE FRAME (R)	2PP4043-2687P1
3	GEAR	4PP4043-2689P1
4	GEAR	4PP4043-2690P1
5	LEVER	4PP4043-2696P1
6	WASHER	4PP4043-2688P1
7	SPRING	4PB4043-2691P1
8	SPRING FOR LEVER	4PP4025-1341P1
9	SHAFT	4PP4043-2598P1
10	SHAFT	4PP4043-2687P1
90	PIN TRACTOR ASSY (L)	4PA4043-2684G1
91	PIN TRACTOR ASSY (R)	4PA4043-2685G1

www.drukparts.pl