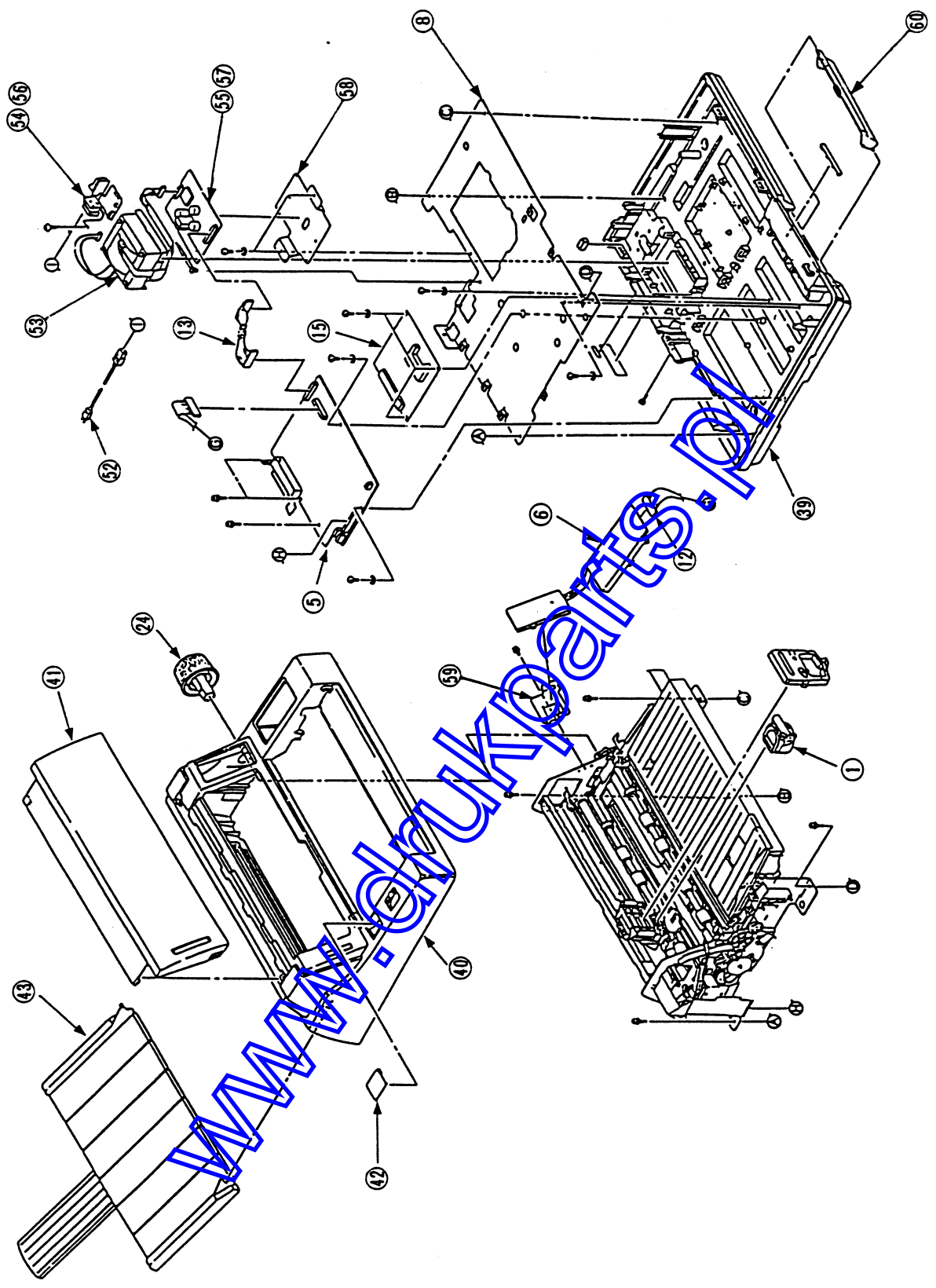


OKI

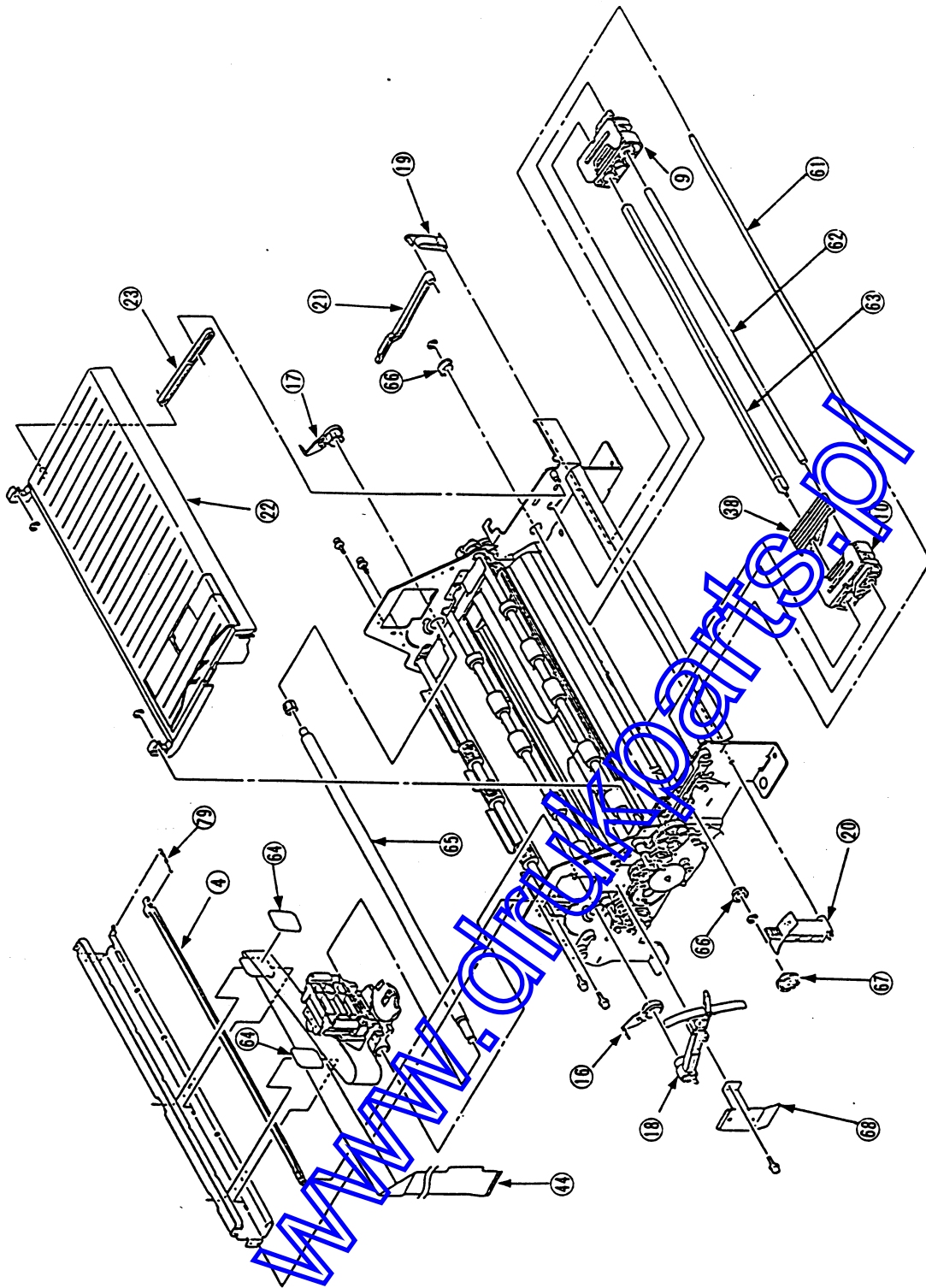
MICROLINE 390
FLATBED

www.drukparts.pl

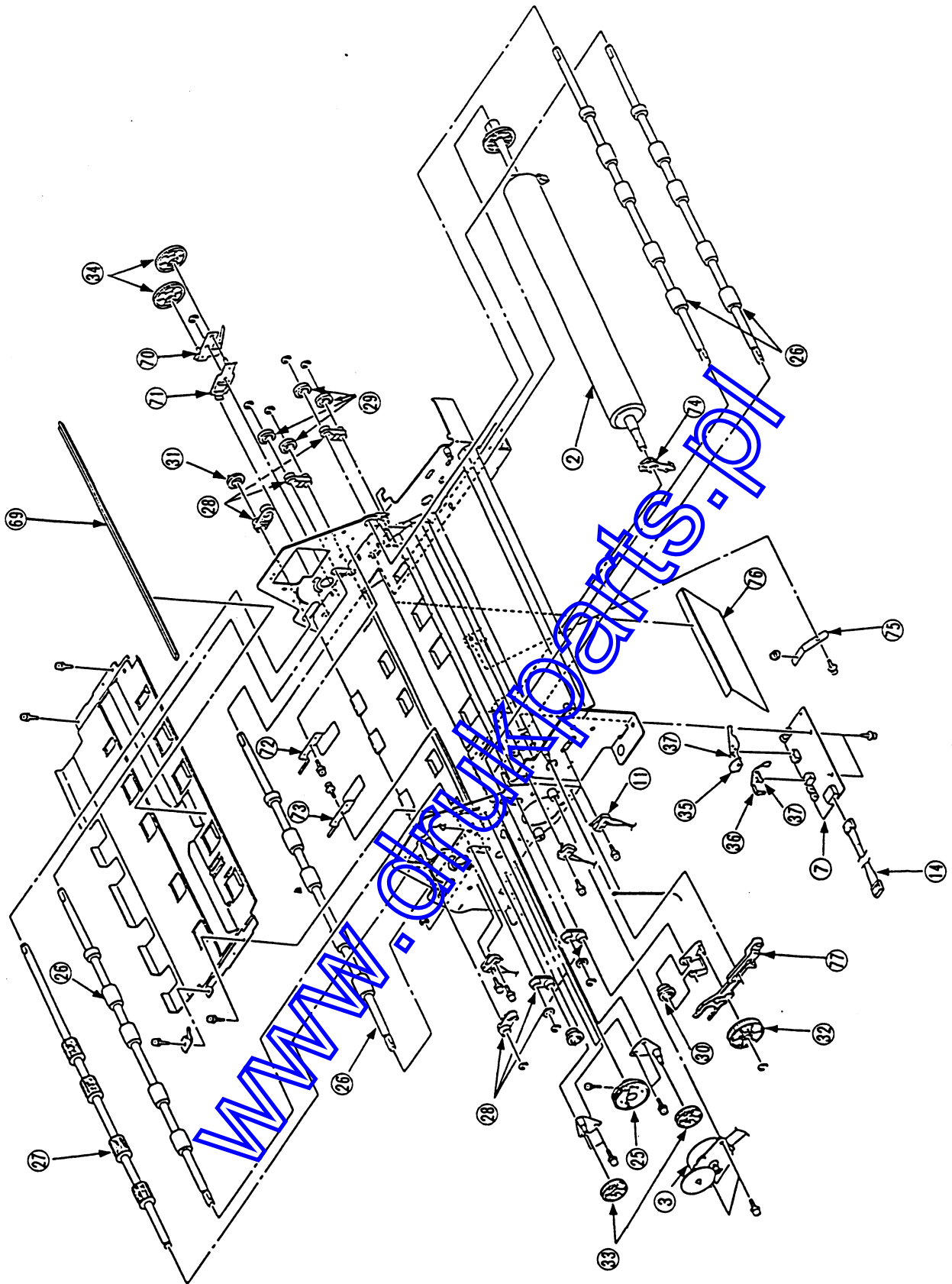
MAINTENANCE
MANUAL



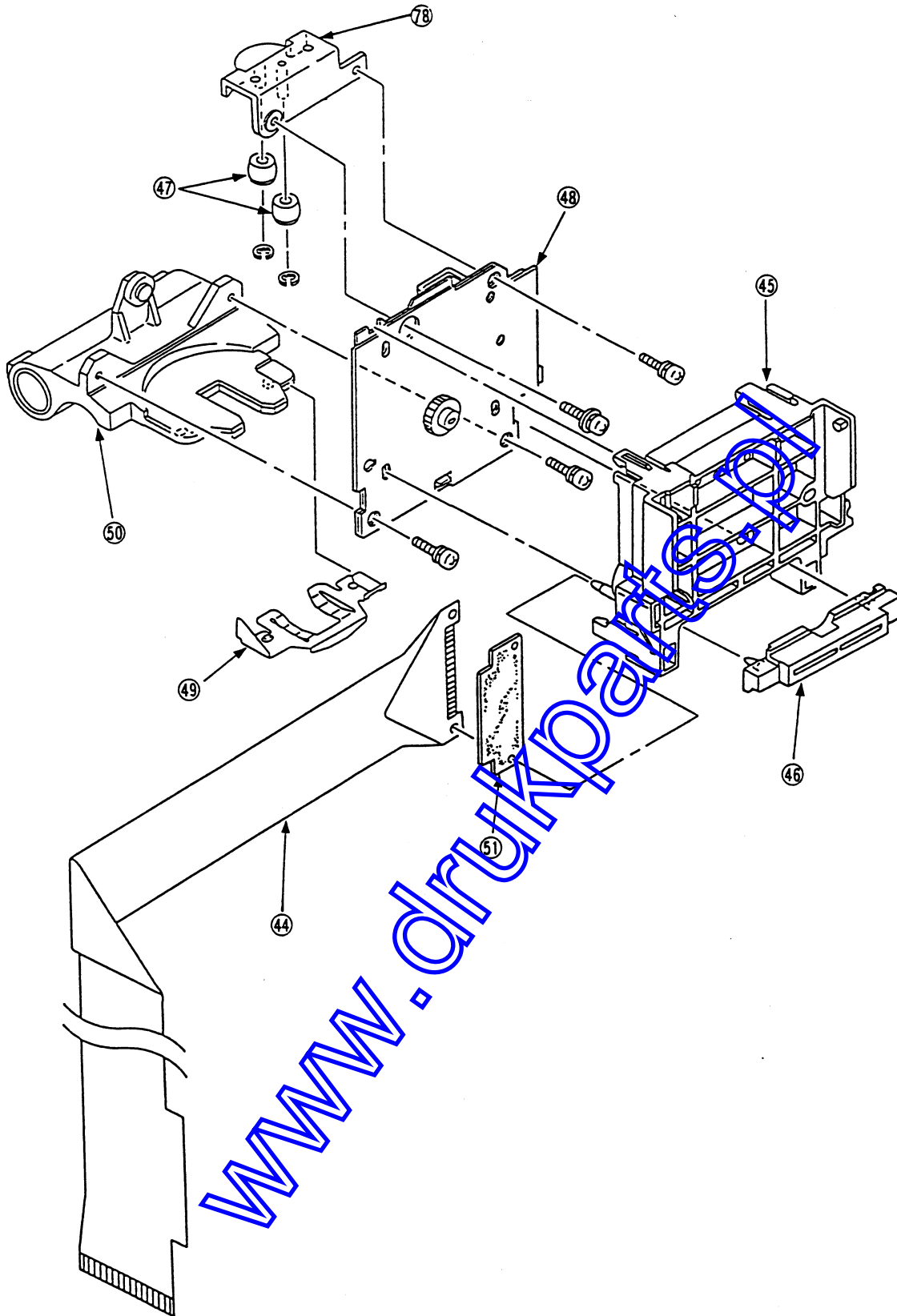
Printer unit (1/4)



Printer unit (2/4)



Printer unit (3/4)



Printer unit (4/4)

Spare parts list (1/3)

No.	Item No.	Item name	Q'ty	Q'ty of spare parts/year	Remarks
				500	
	(Printer Mechanism)				
1	4YA4023-2011G1	Print Head	1	9	
2	4PA4053-2270G1	Platen Assy	1	3	
3	3PB4053-1982P1	LF Pulse Motor	1	5	
4	4PP4053-2258P1	Space Rack	1	5	
5	4YA4053-2290G102	SHPX PCB (Control board)	1	3	
6	4YA4053-2291G1	SHPO PCB (Operator panel)	1	3	
7	4YA4053-2289G1	SHPT PCB (Sensor board)	1	3	
8	1PP4053-2015P1	Circuit Plate	1	1	
9	4PA4025-2636G1	Tractor Assy (R)	1	3	
10	4PA4025-2642G1	Tractor Assy (L)	1	3	
11	4YX4053-2148G1	Micro Switch Assy	1	3	
12	4YS4011-4367P2	Connector Cord (SHPX PCB-Operation Panel)	1	1	
13	4YS4011-4311P2	Connector Cord (SHPX PCB-Power Supply board)	1	1	
14	4YS4011-4366P1	Connector Cord (SHPX PCB-SHPT PCB)	1	1	Sensor Cable
15	4YA4053-2299G1	ICCK PCB	1	3	
16	4PP4053-2204P1	Adjustment bushings (L)	1	3	
17	4PP4053-2205P1	Adjustment bushings (R)	1	3	
18	3PP4053-2014P2	Adjustment lever	1	3	
19	4PP4053-2208P1	Change arm C	1	3	
20	3PP4053-1397P4	Change lever	1	3	
21	4PP4053-1978P1	Change arm B	1	3	
22	3PP4053-2259G1	Stage Assembly	1	3	
23	4PP4053-1410P1	Stage lock stay	1	3	
24	3PP4025-2871P1	Platen knob	1	5	
25	4PA4053-1972G1	Platen Gear Assy	1	3	
26	3PB4053-1973P1	Feed Roller Shaft	4	3	
27	3PP4053-1974G1	Stacker Shaft	1	3	
28	4PP4053-1330P1	LF bushing	6	3	
29	4PP4053-1321P1	LF knob gear	4	3	
30	4PP4053-1331P1	LF gear	2	3	
31	4PP4044-2813P1	Stacker gear L	1	3	
32	4PP4053-1981P1	Change gear	1	3	
33	4PP4053-1980P1	Idle gear A	2	3	
34	4PP4053-2197P1	Idle gear B	2	3	
35	4PP4053-2271P1	Sensor arm A	1	3	
36	4PP4053-2154P1	Sensor arm B	1	3	

Spare parts list (2/3)

No.	Item No.	Item name	Q'ty	Q'ty of spare parts/year	Remarks
				500	
37	Spp1.6-12-SUS	Spring pin	2	3	
38	4PP4025-2643P1	Sheet Guide	1	3	
	(Cover Parts)				
39	3PA4053-2417G1	Lower Cover	1	3	
40	2PP4053-2006G1	Upper Cover	1	3	
41	3PP4053-2007G8	Access Cover	1	3	
42	4PP4053-1445P7	Gear Cover	1	3	
43	3PA4053-2056G1	Sheet Stacker	1	3	
	(Carriage Unit)				
44	2PU4007-1170P1	Head Cable	1	3	
45	4PA4025-2832G3	Ribbon Feed Gear Assy	1	3	
46	3PB4025-1241P1	Connector (Head Connect)	1	3	
47	4PP4053-1315P1	Guide Roller	2	5	
48	4YX4053-1356G2	Space Motor Assy	1	5	
49	4PP4025-1048P1	Head Clamp	1	3	
50	4PP4053-2000G1	Carriage Frame Assy	1	3	
51	4PP4025-2960P1	Contact Pressure Rubber	1	3	
52	3YS4011-1265P1	AC Cable	1	1	230V
	3YS4011-1268P1	AC Cable	1	1	240V
53	4YB4056-8472P2	Transformer	1	3	
54	4YX4056-3477G2	Filter Assembly	1	3	
55	3YU5057-3311G1	Power Supply Board	1	3	
56	4FP-21108-2	Fuse (Primary Side) (250V, 2A)			
57	4FP-21107-2	Fuse (Secondary Side) (250V, 2A)			
58	4PP4053-2021P1	Circuit Plate (B)	1	1	
59					
60	2PP4053-2051P7	Card Cover	1	3	
61	4PP4053-1979P1	Change Lever Shaft	1	3	
62	4PB4053-2295P1	Lock Shaft	1	3	
63	4PP4053-1390P2	Tractor Shaft	1	3	
64	4PP4053-1383P1	Guide Plate	2	3	
65	4PB4053-2201P1	Carriage Shaft	1	3	
66	4PP4044-1304P1	Guide Bush	2	3	
67	4PP4044-1550P1	Driven Gear	1	3	
68	4PP4053-2273P1	Cable Guide	1	1	
69	4LM-7261-67	Polyurethane Foam	1	3	
70	4PP4053-2336G1	Friction Spring	1	3	
71	4PP4053-2195G1	Epicyclic Bracket	1	1	
72	4PP4053-1983P1	Feed Roller Spring B	1	3	
73	4PP4053-1976P1	Feed Roller Spring A	1	3	

Spare parts list (3/3)

No.	Item No.	Item name	Q'ty	Q'ty of spare parts/year	Remarks
				500	
74	4PP4053-1971P1	Platen Collar	1	3	
75	4PP4053-2023P1	Feed Roller Spring C	1	3	
76	4PB4053-2296P1	Guard	1	3	
77	4PP4053-1977P1	Change Arm A	1	3	
78	4PP4053-1361P1	Guide Roller Plate	1	3	
79	4PB4025-1106P1	Tension Spring	1	3	

www.drukparts.pl