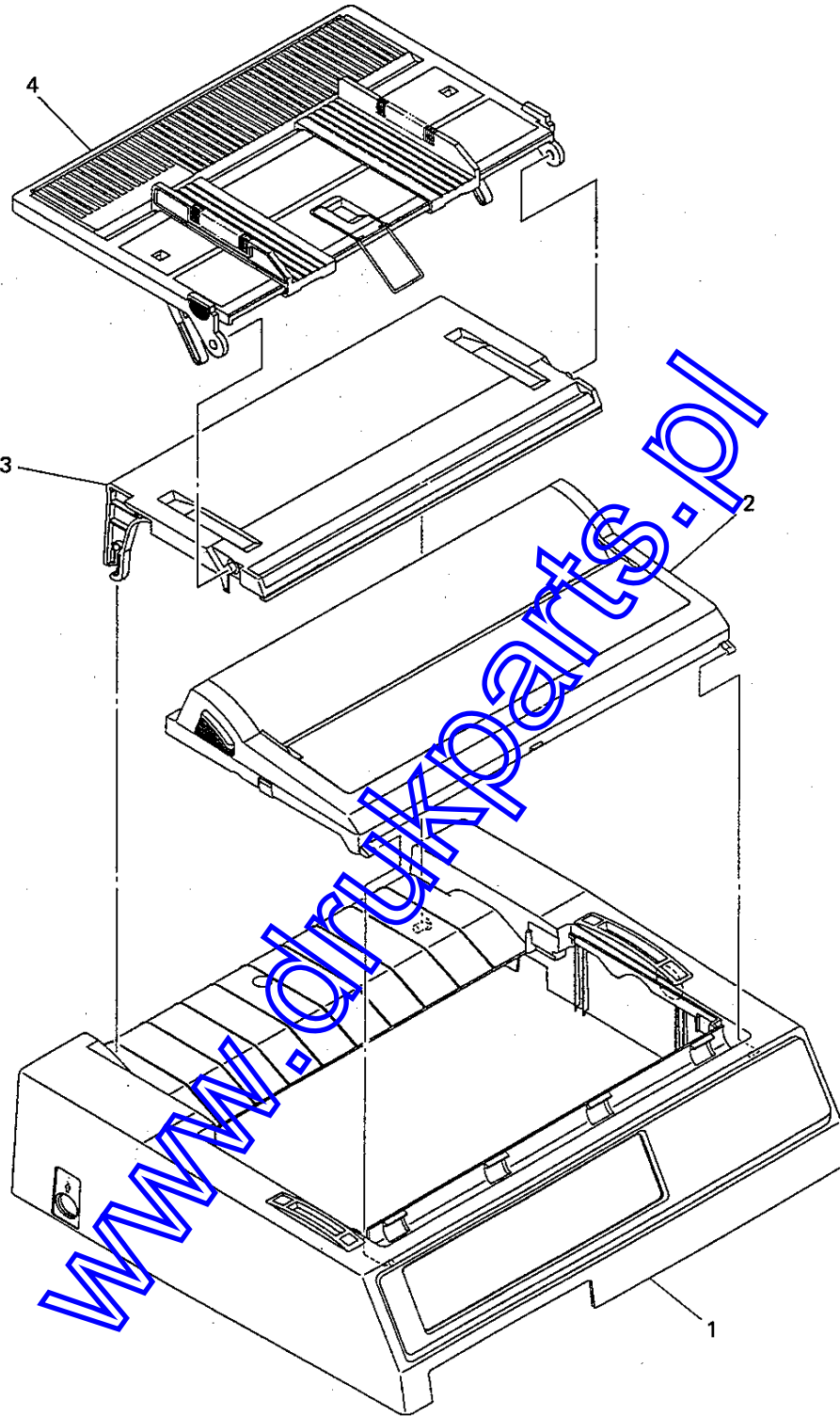
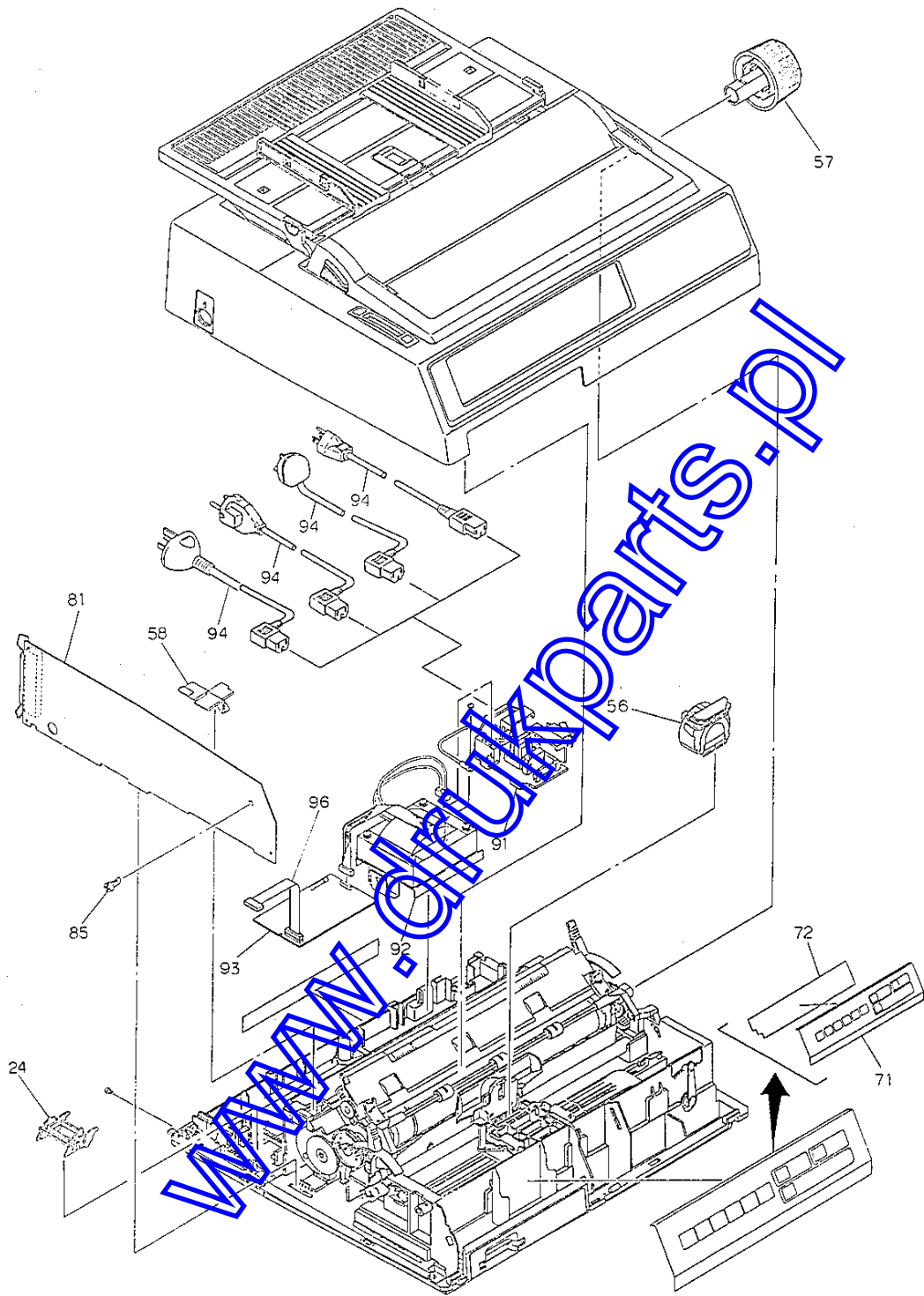

OKI MICROLINE 390/391

MAINTENANCE MANUAL

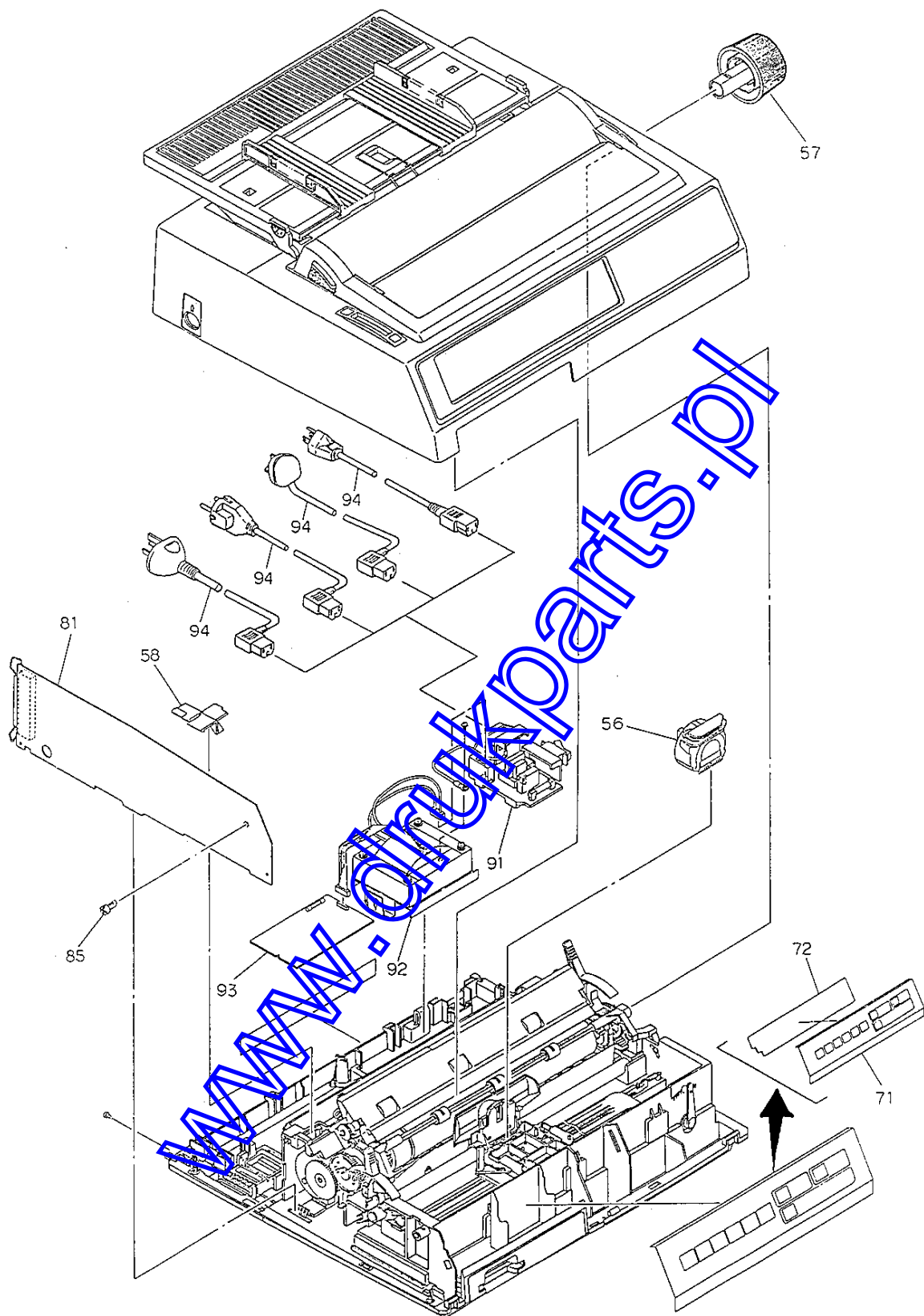
www.drukparts.pl



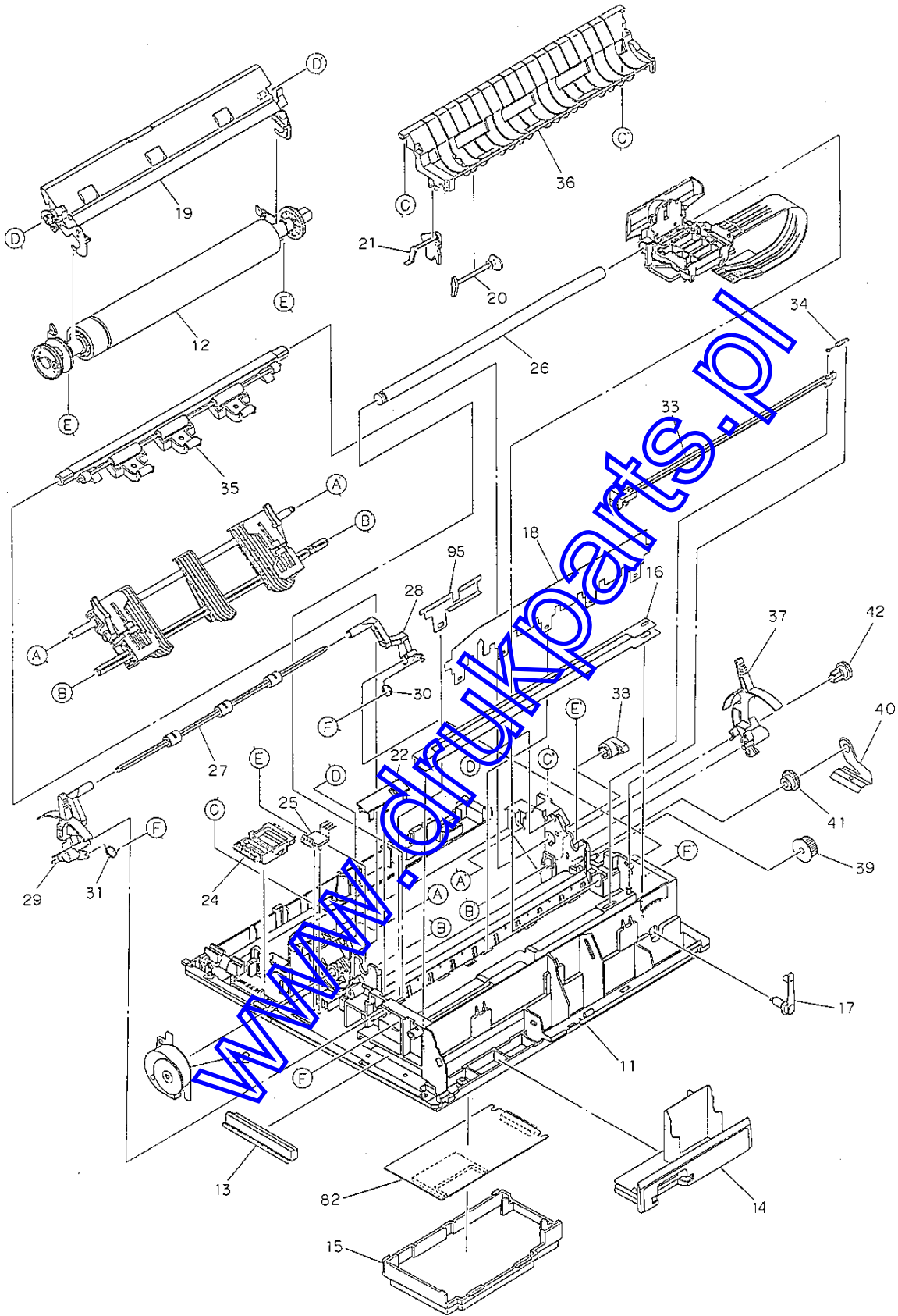
Printer unit (1/5)



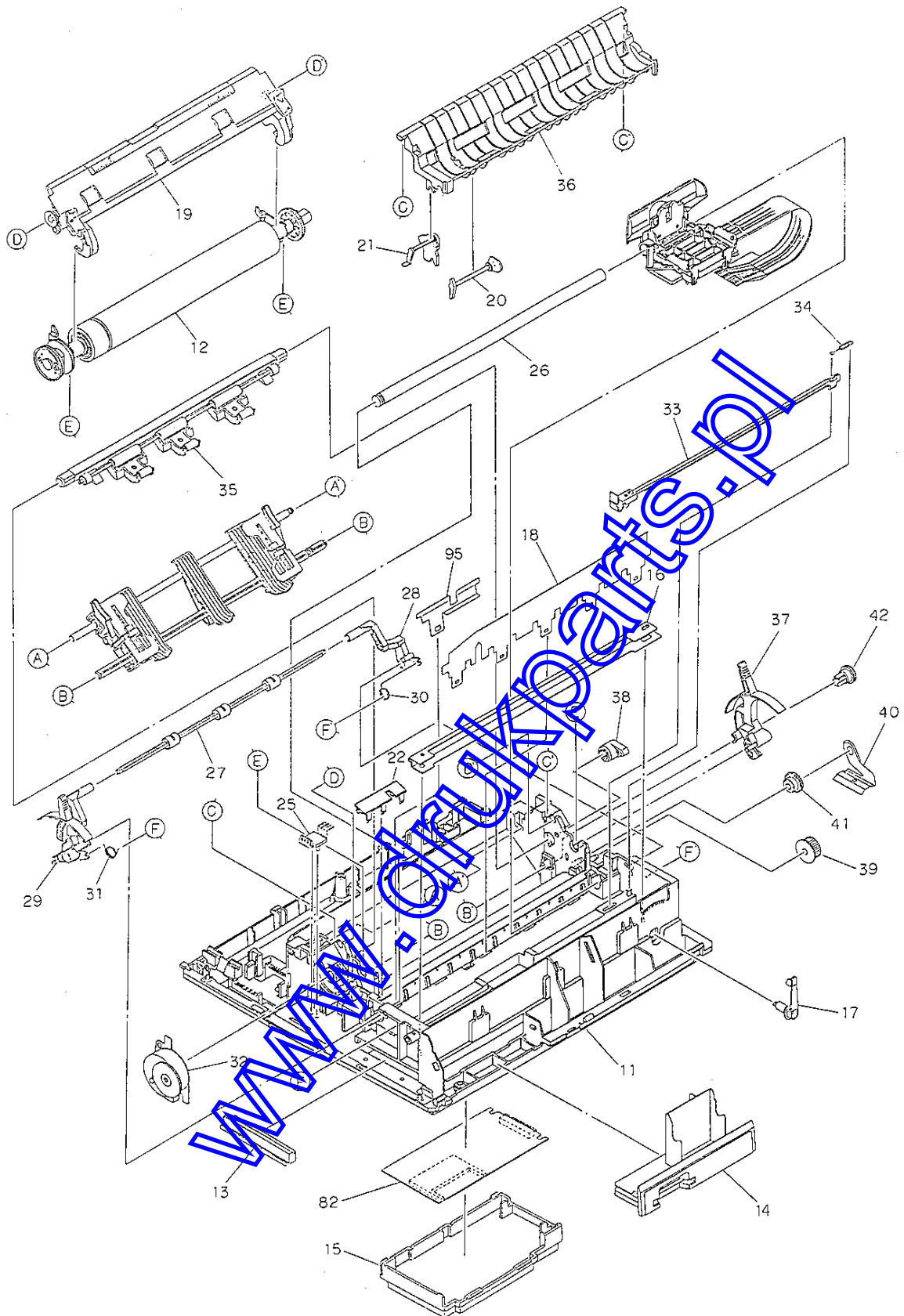
Printer unit (2/5)



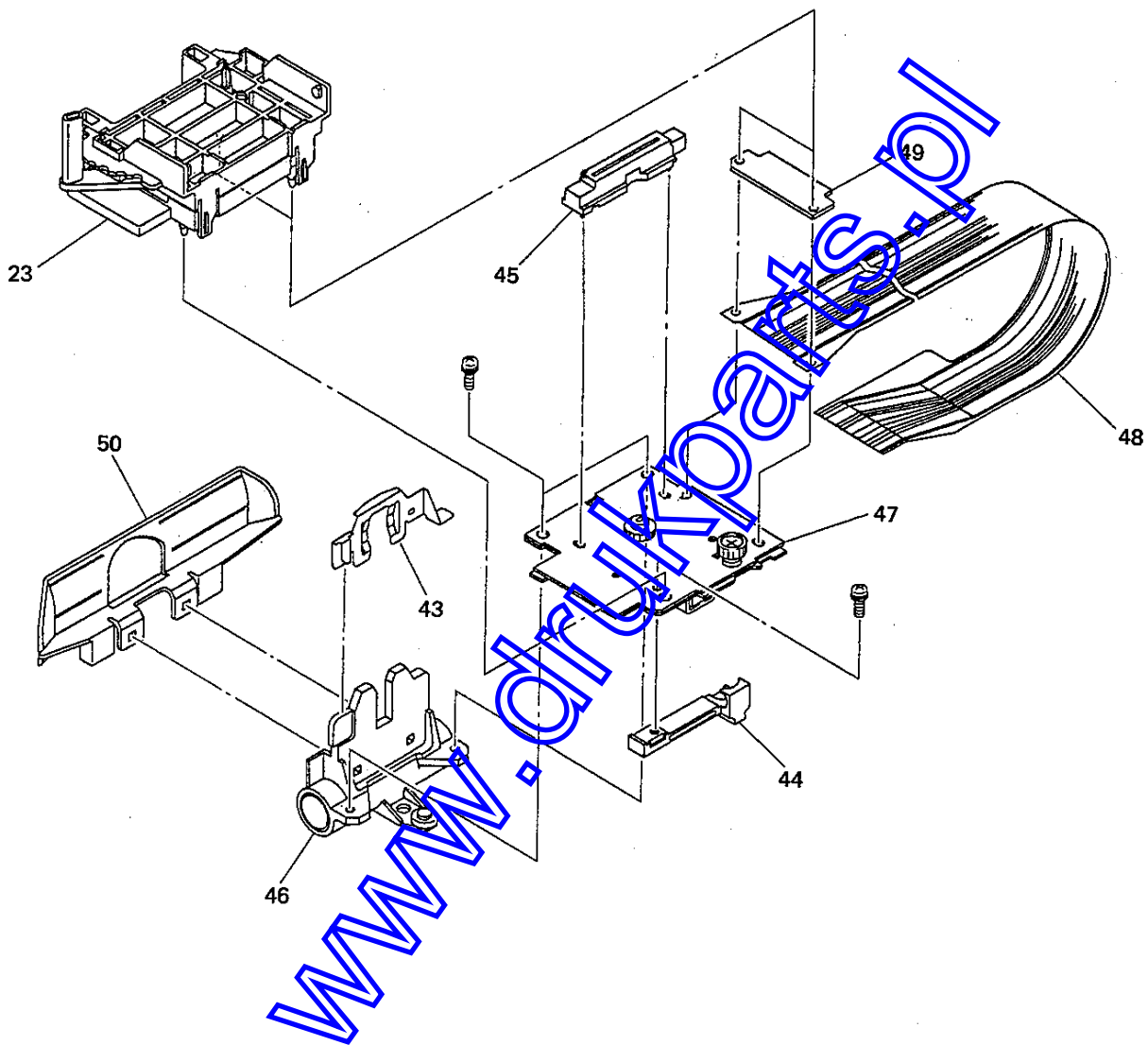
Printer unit (2/5)



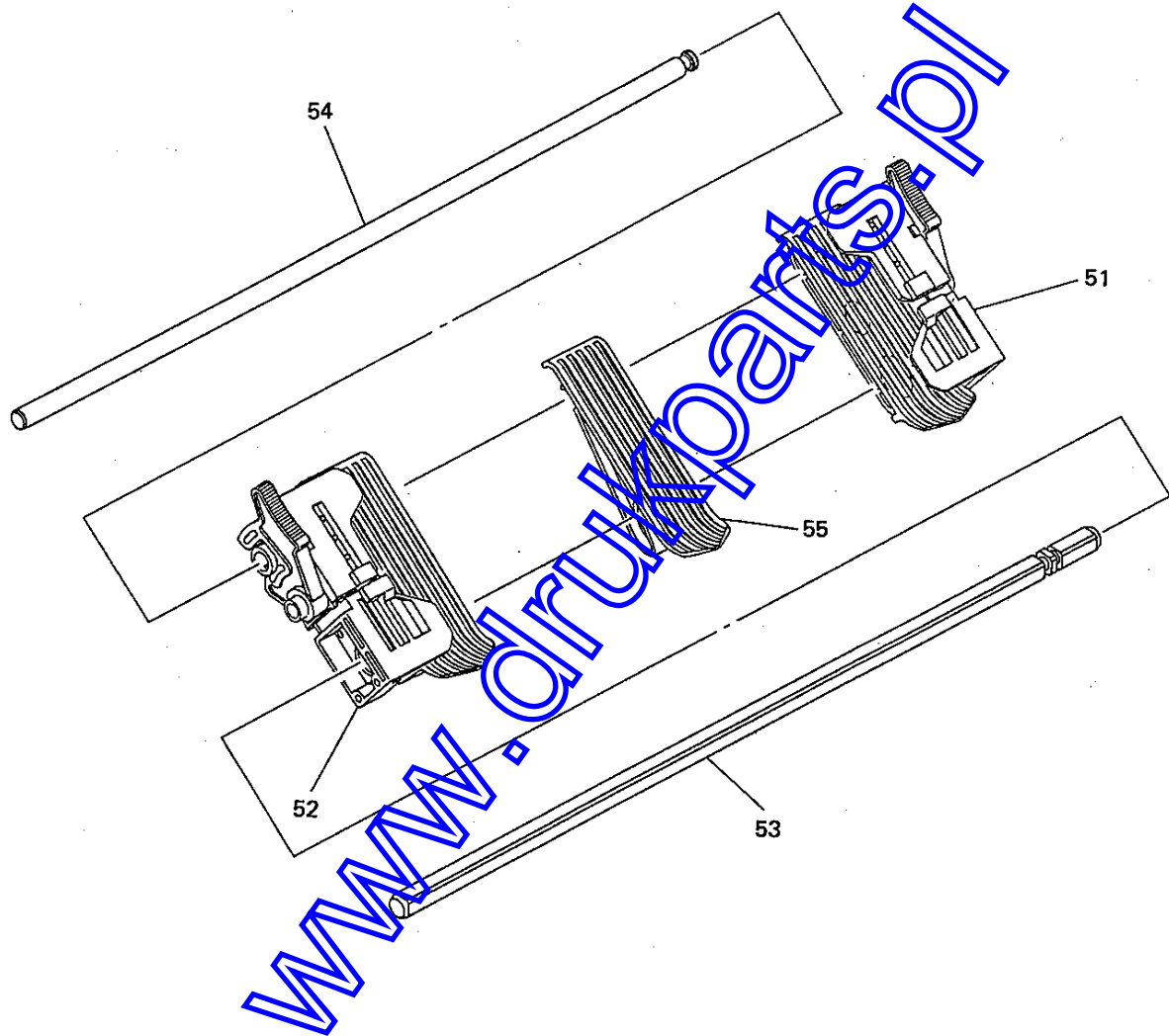
Printer unit (3/5)



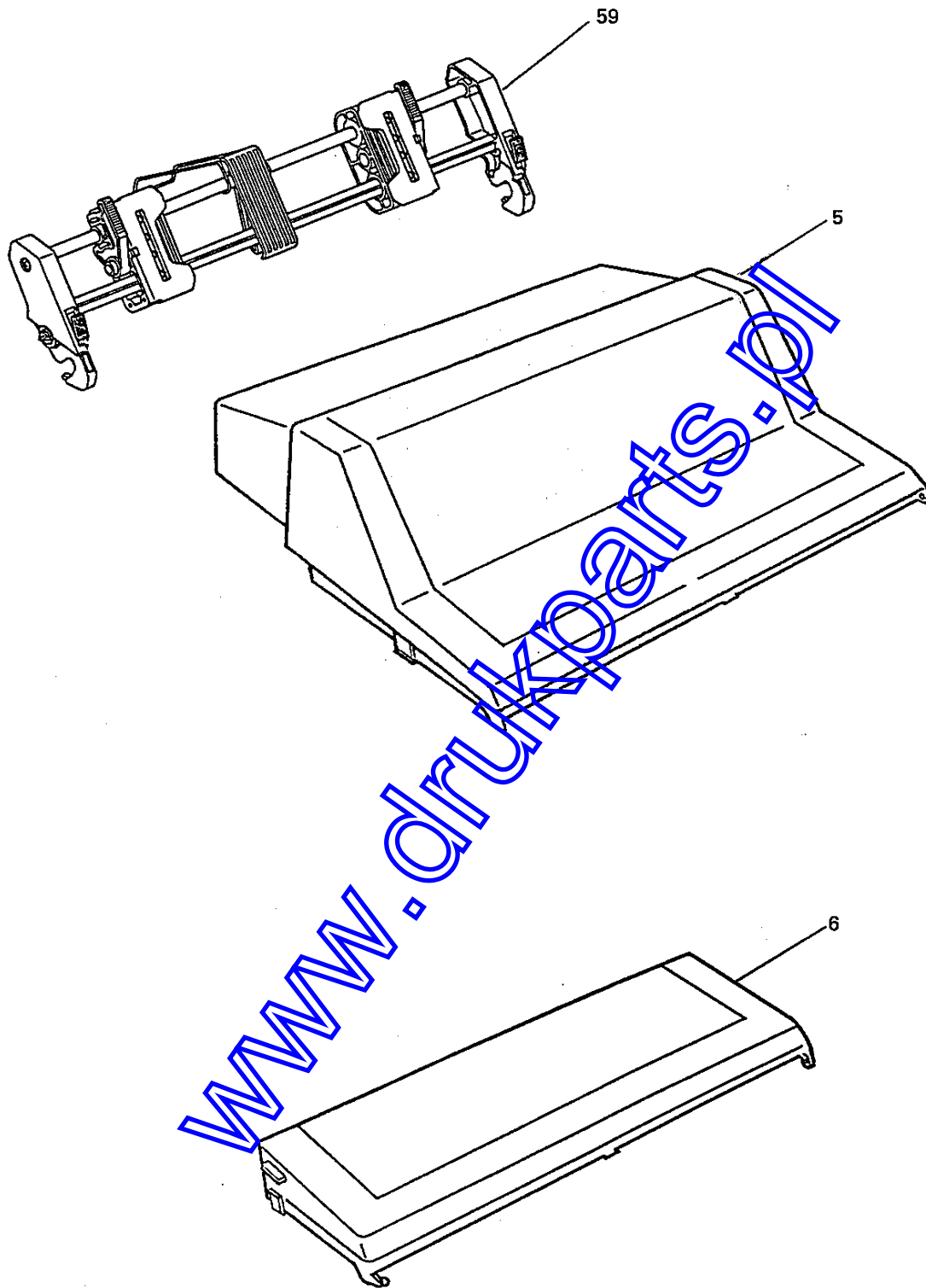
Printer unit (3/5)



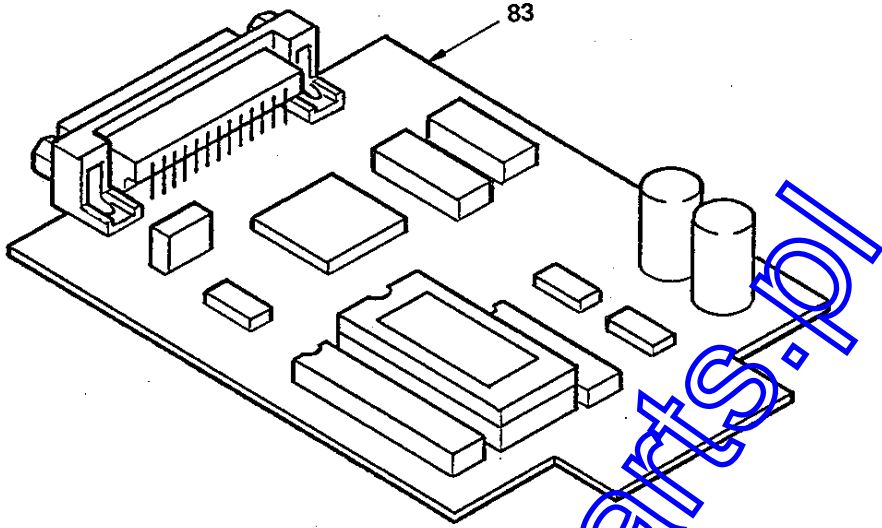
Printer unit (4/5)



Printer unit (5/5)



Option parts(1/2)



www.druckparts.pl

Option parts (2/2)

Spare parts list (1/5)

No.	Item No.	Item name	Q'ty	Q'ty of spare parts/year	Remarks
				500	
	(Cover parts)				
1	1PP4016-6557P1	Middle cover	1	3	390 ODA
	1PP4016-6557P4	Middle cover	1	3	391 ODG
	1PP4016-6558P1	Middle cover	1	3	390 ODA
	1PP4016-6558P4	Middle cover	1	3	391 ODG
2	2PA4016-6559G1	Access cover assembly	1	3	390
	2PA4016-6560G1	Access cover assembly	1	3	391
3	1PP4016-6567P1	Rear cover frame	1	3	390
	1PP4016-6568P1	Rear cover frame	1	3	391
4	1PA4016-6560G1	Sheet separator assembly	1	3	390
	1PA4016-6570G1	Sheet separator assembly	1	3	391
5	2PP4016-6865G1	Acoustic cover (TR)	1	3	390 option
	2PP4016-6866G1	Acoustic cover (TR)	1	3	391 option
6	2PP4016-6867G1	Acoustic cover (CS)	1	3	390 option
	2PP4016-6868G1	Acoustic cover (CS)	1	3	391 option
	(Printer Mechanism)				
11	3PA4025-2802G1	Main frame assembly	1	3	390
	3PA4025-2902G1	Main frame assembly	1	3	391
12	3PA4025-2811G5	Platen assembly	1	3	390
	3PA4025-2811G6	Platen assembly	1	3	391
13	224A1152-P0600	AKT-60 (Connection connector)	1	3	
14	2PP4025-2805P1	IC card panel B	1	1	
15	3PA4025-2806G1	Board support cover assembly	1	3	
16	3PP4025-2809P1	Guide rail	1	1	390
	3PP4025-2809P2	Guide rail	1	1	391

Spare parts list (2/5)

No.	Item No.	Item name	Q'ty	Q'ty of spare parts/year	Remarks
				500	
17	4PP4025-2810P1	Adjusting cam	1	3	
18	3PP4025-2819P1	Paper pressure guide	1	3	390
	3PP4025-3179P1	Paper pressure guide	1	3	391
19	3PA4025-2963G1	Separator (N) assembly	1	3	390
	3PA4025-2978G1	Separator (W) assembly	1	3	391
20	3PP4025-2825P1	Paper end lever (B)	1	3	390
	3PP4025-2825P2	Paper end lever (B)	1	3	391
21	3PP4025-2826P1	Sensor lever	1	3	
22	3PP4025-2827P1	Sensor cover	1	3	
23	4PA4025-2832G1	Ribbon drive gear assembly	1	3	
24	3PB4025-2911P1	Power interconnect module	1	3	
25	3PP4025-2874P1	LF motor interconnect module	1	3	
26	4PP4025-2837P1	Carriage shaft	1	3	390
	4PP4025-2837P2	Carriage shaft	1	3	391
27	4PA4025-2838G1	Indicator assembly	1	3	390
	4PA4025-2838G2	Indicator assembly	1	3	391
28	3PP4025-2840P1	Bail arm (R)	1	3	
29	2PP4025-2841P1	Bail arm (L)	1	3	
30	4PB4025-2842P1	Bail arm spring (R)	1	5	
31	4PB4025-2843P1	Bail arm spring (L)	1	5	
32	3PB4025-2844P3	LF motor	1	5	
33	3PP4025-2845P1	Space rack	1	3	390
	3PP4025-2845P2	Space rack	1	3	391

Spare parts list (3/5)

No.	Item No.	Item name	Q'ty	Q'ty of spare parts/year	Remarks
				500	
34	4PB4025-2873P1	Tension spring	1	3	
35	3PA4025-2846G1	Pressure roller assembly (N)	1	3	390
	3PA4025-2908G1	Pressure roller assembly (W)	1	3	391
36	3PA4025-2853G1	Paper chute assembly (N)	1	3	390
	3PA4025-2915G1	Paper chute assembly (W)	1	3	391
37	3PP4025-2852P1	Release lever	1	3	
38	4PP4025-2881P1	Release link	1	3	
39	4PP4025-2866P1	Change gear	1	3	
40	4PP4025-2867P1	Reset spring	1	3	
41	4PP4025-2868P1	Idler gear	1	3	
42	4PP4025-2869P1	Tractor gear	1	3	
43	4PP4025-1048P1	head clamp	1	3	
44	4PB4025-1088P1	Slider	1	3	
45	3PB4025-1241P1	Connector	1	3	
46	4PB4025-2829G1	Carriage frame set	1	3	
47	4YX4025-2052G4	Space motor assembly	1	5	
48	2PU4007-1095P3	Flexible cable	1	10	390
	2PU4007-1095P4	Flexible cable	1	10	391
49	4PP4025-2960P1	Contact pressure rubber	1	3	
50	3PP4025-2836P1	Ribbon protector	1	5	
51	4PA4025-2855G1	Tractor frame assembly (R)	1	3	

Spare parts list (4/5)

No.	Item No.	Item name	Q'ty	Q'ty of spare parts/year	Remarks
				500	
52	4PA4025-2861G1	Tractor frame assembly (L)	1	3	
53	4PP4025-2864P1	Drive shaft	1	1	390
	4PP4025-2864P2	Drive shaft	1	1	391
54	4PP4025-2831P1	Lock shaft	1	1	390
	4PP4025-2831P2	Lock shaft	1	1	391
55	3PP4025-2927P1	Sheet guide	1	3	
56	YA4023-2011G1	Head	1	3	
57	3PP4025-2871P1	Platen knob	1	3	
58	3PP4025-2896P1	Board lock	1	3	
59	3PP4025-2971G1	Tractor unit (N)	1	3	390 option
	3PA4025-2971G1	Tractor unit (W)	1	3	391 option
	(Operator panel)				
71	3PP4025-3114G1	Operator panel	1	3	
72	4YA4021-1048G1	LXSP-1 printed circuit board	1	3	
		(Printed circuit board)			
81	4YA4021-1052G102	SKRB or SKRA printed circuit board	1	3	ODA, 390/391, For maintenance (without ROMS)
	4YA4021-1052G202	SKRB-2 or SKRA-2 printed circuit board	1	3	ODG, 390/391, For maintenance (without ROMS)

Spare parts list (5/5)

No.	Item No.	Item name	Q'ty	Q'ty of spare parts/year	Remarks
				500	
82	4YA4021-1049G1	SRBS printed circuit board	1	3	
83	4YA4021-1050G002	LXHI printed circuit board	1	3	Option (ODA)
	4YA4021-1050G003	LXHI printed circuit board	1	3	Option (ODG)
84	4PP4025-2887P1	Interface Lock	1	3	
85	4PP4025-2870P1	Lock post	1	3	
	(Power supply assembly)				
91	4XY4056-3477G1	Filter assembly	1	3	120V
	4XY4056-3477G2	Filter assembly	1	3	220/240V
	4YB4049-1457P2	Filter assembly	1	3	220/240V, for UK
92	4YB4056-8300P1	Transformer	1	3	390 120V
	4YB4056-8348P1	Transformer	1	3	390 220/240V
	4YB4056-8300P2	Transformer	1	3	391 120V
	4YB4056-8348P2	Transformer	1	3	391 220/240V
	4YB4049-1460P1	Transformer	1	3	390 220/240V, for UK
	4YB4049-1460P2	Transformer	1	3	391 220/240V, for UK
93	3YU5057-3219G1	PAII printed circuit board	1	3	
	4YB4049-1458P5	DC PSU board	1	3	For UK
94	3YS4011-1026P1	AC cable	1	1	120V
	3YS4011-1052P1	AC cable	1	1	220V, Continental
	3YS4011-1192P1	AC cable	1	1	240V, British
	3YS4011-1103P1	AC cable	1	1	240V, Oceanian
	3YS4011-1172P1	AC cable	1	1	220V, Continental for UK
	3YS4011-1173P1	AC cable	1	1	240V, British for UK
95	3PP4025-3161P1	Support spring	1	3	391 only