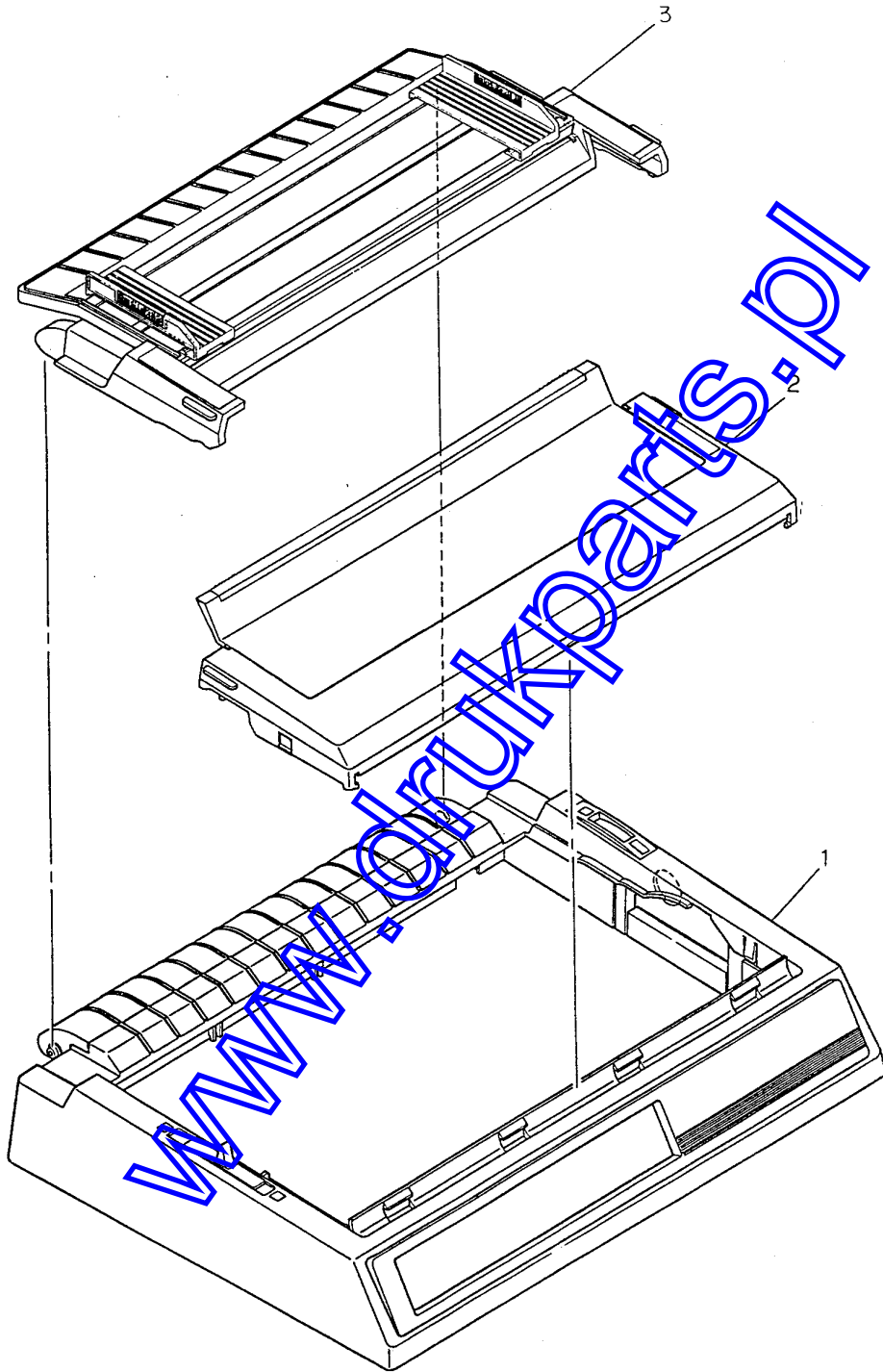
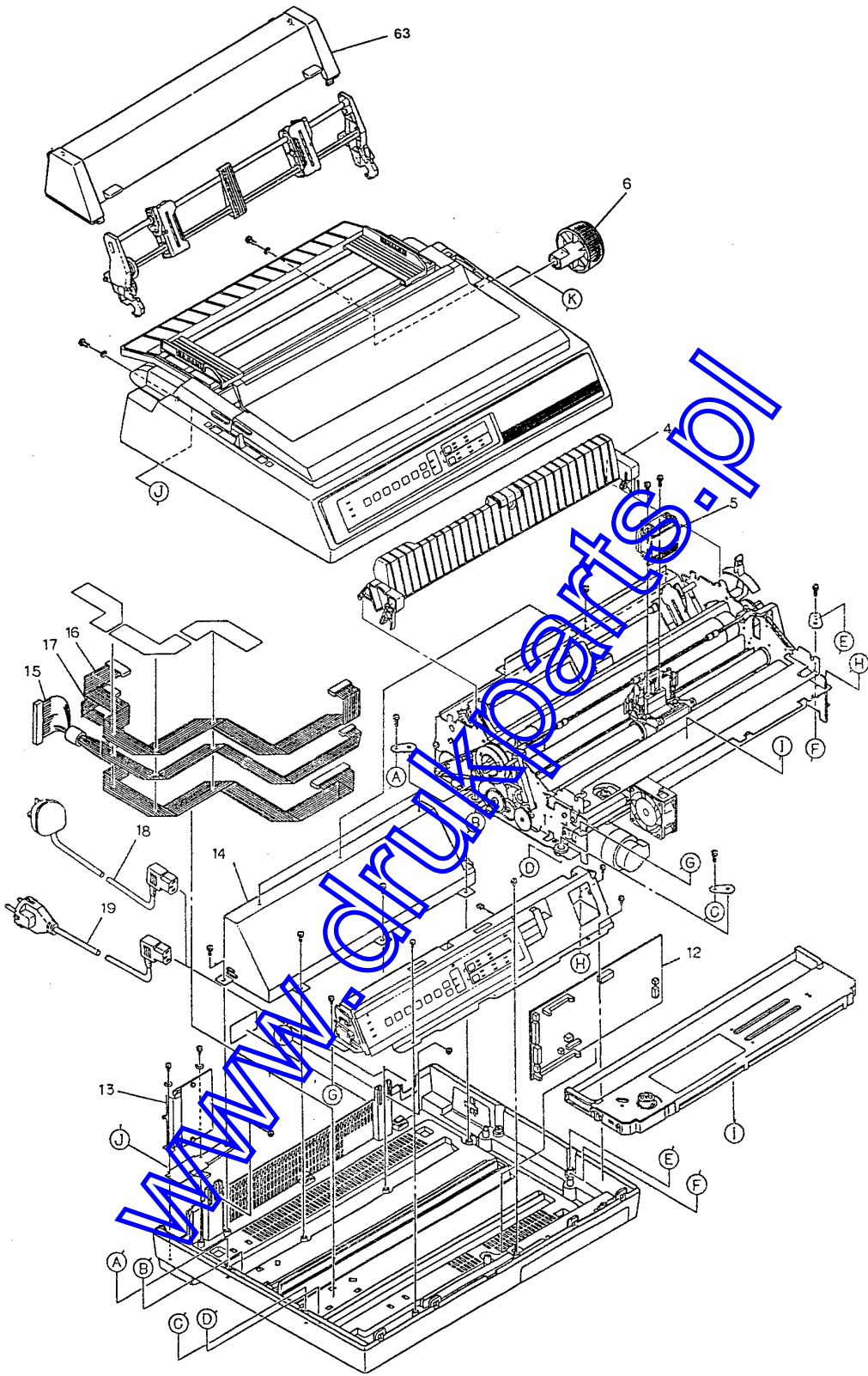

OKI MICROLINE ML3410

MAINTENANCE MANUAL

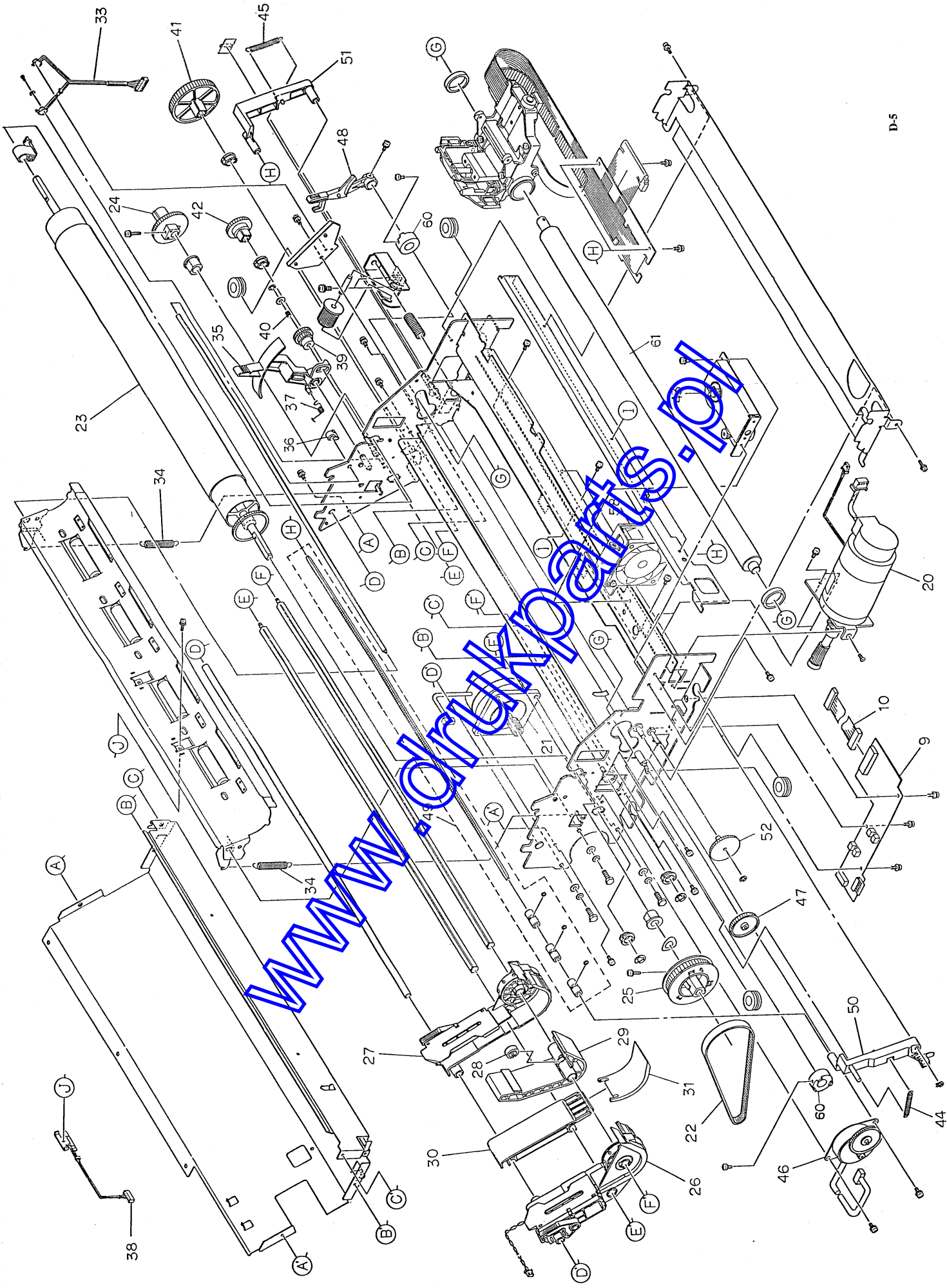
www.drukparts.pl



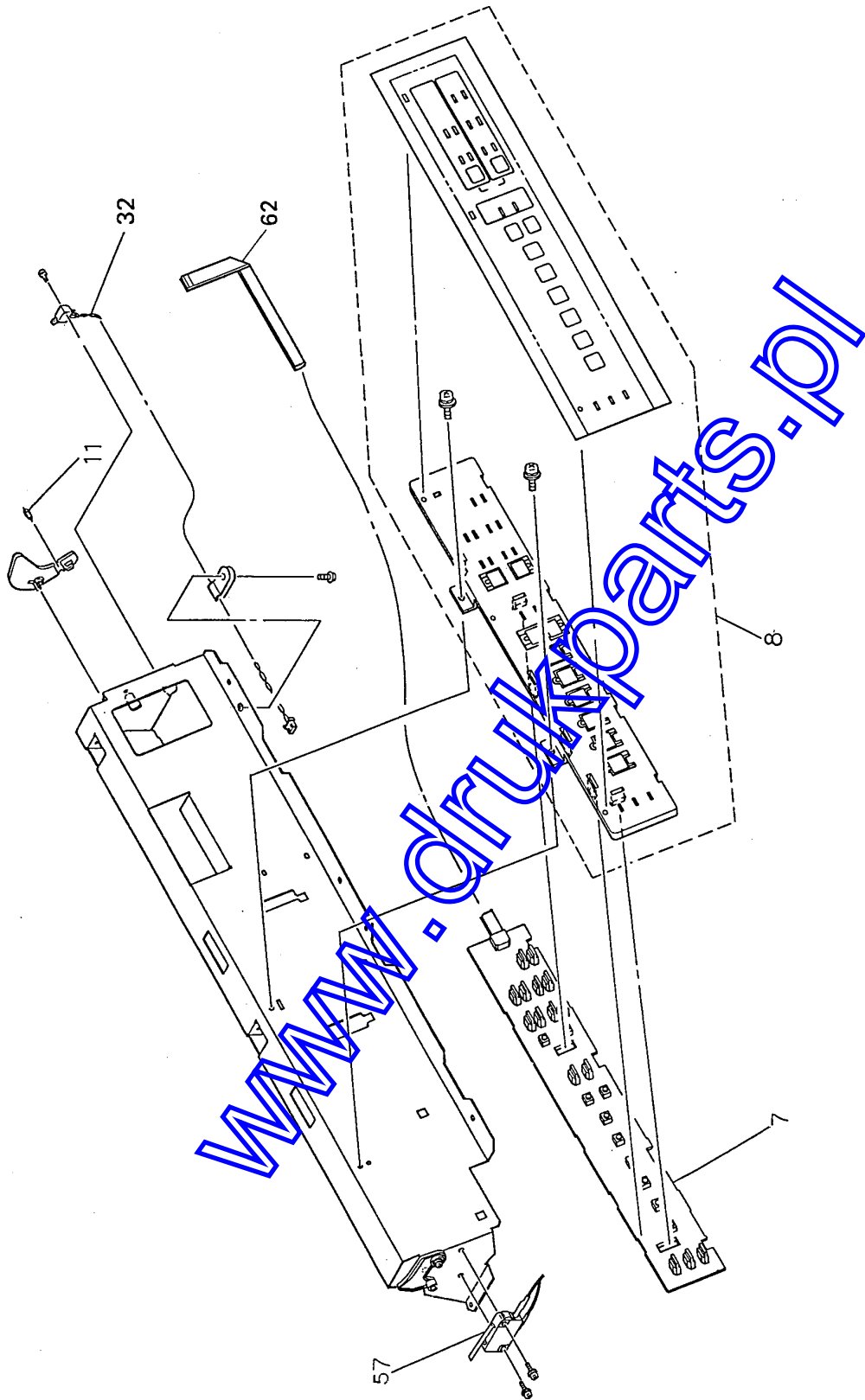
Upper cover assembly



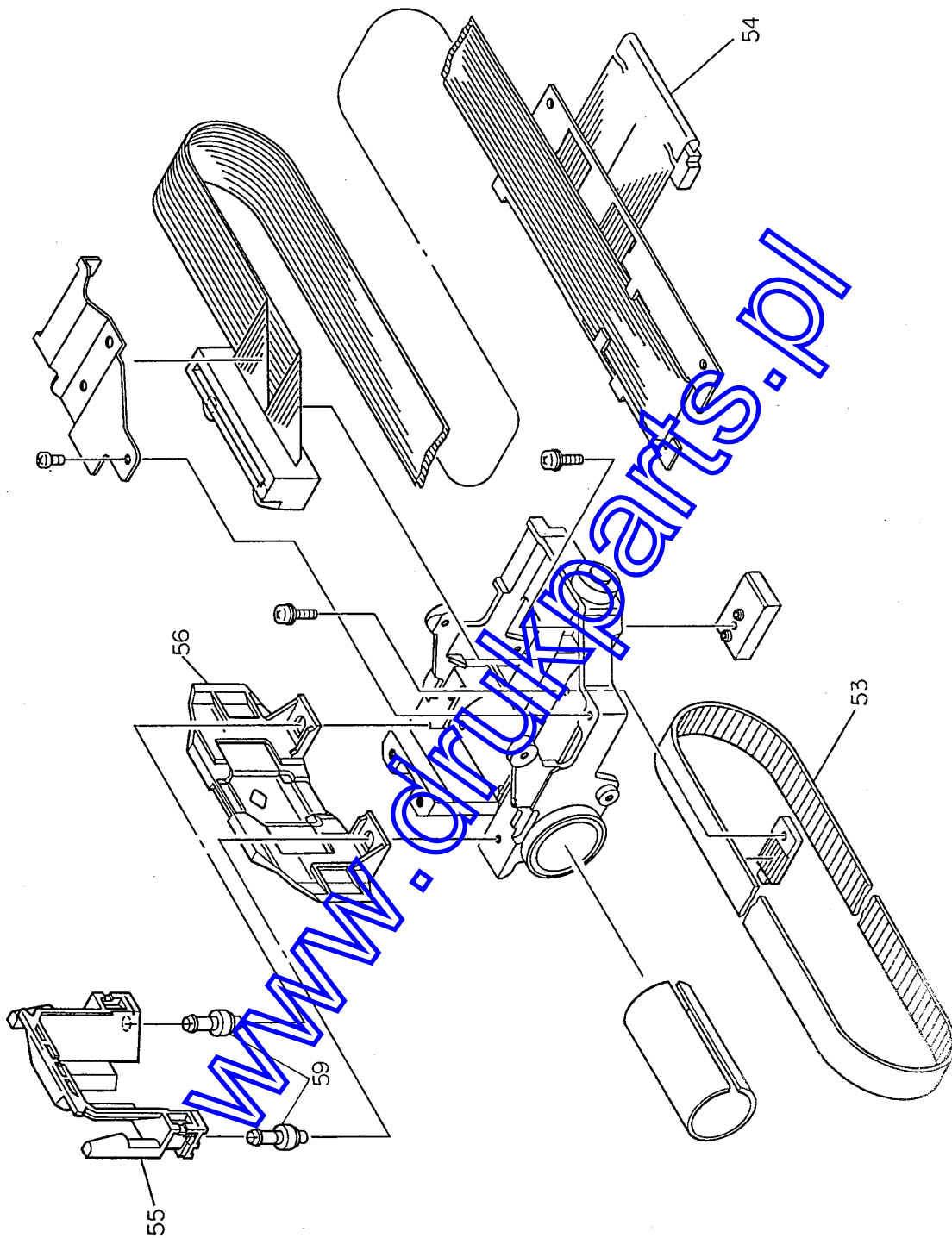
Printer unit general assembly



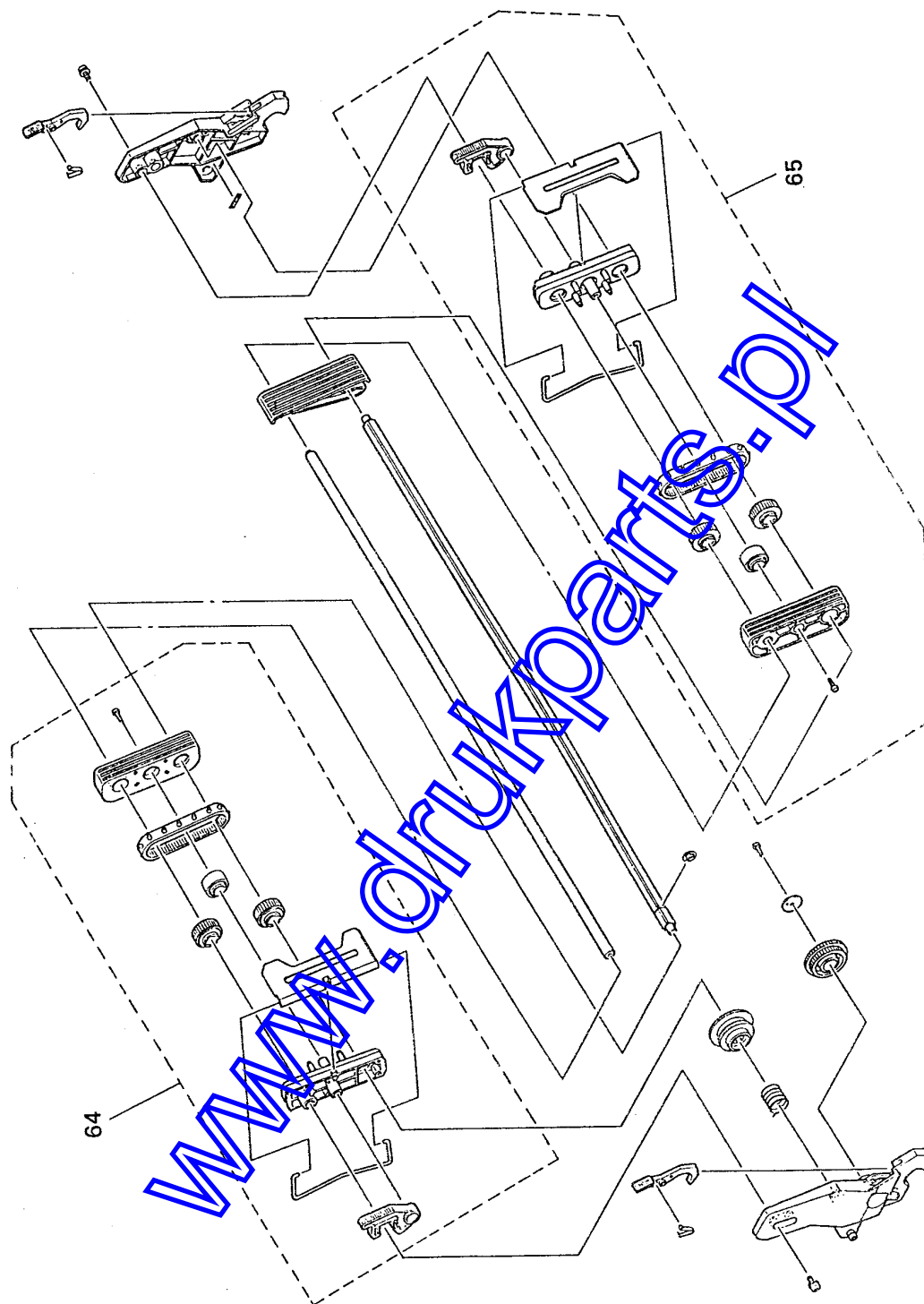
www.druckparts.pl



Shield cover assembly



Carriage assembly



Tractor unit

Table of Parts Number 1/3

No.	Parts No.	Description	Q'ty per Printer	Q'ty per year			Remarks
				A	B	C	
1	2PA4016-4723G33	Middle Cover Assy (OEL)	1	1	1	1	
2	1PA4094-5837G2	Access Cover Assy (OEL)	1	1	1	1	
3	1PA4094-5841G2	Rear Cover Assy	1	1	1	1	
4	3PA4043-4278G2	Sheet Separator	1	1	1	2	
5	4YA4023-1501G1	Printhead	1	3	10	20	
6	3PP4043-2501P1	Platen Knob	1	1	1	1	ML393E
7	4YA4042-1511G1	Operation Panel PCB (OPML)	1	1	3	5	
8	3PP4043-4339G1	Operation Panel	1	1	1	1	
9	4YA4042-1512G1	Sensor Board (LPRW)	1	1	1	1	
10	4YS4011-4311P4	Sensor Board Connection Cord	1	1	1	2	
11	4LB-192200-5	Spring (Cover Open Lever)	1	1	1	1	ML393E
12	4YA4042-1509G12	Main PCB (CBNP) without ROM	1	2	6	12	
13	4YA4042-1510G11	Interface Connector Assy (HKTY) (Spare part of IFNP PCB)	1	1	3	5	
14	4YB4049-1278P2	Power Supply Assy (220/240V)	1	3	14	28	
15	3YS4011-7912G1	IF-Main Board Connection Cord (50P)	1	1	1	2	
16	4YS4011-6295G1	Power Connection Cord (9P)	1	1	1	2	ML393E
17	4YS4011-6253G3	Power Connection Cord (13P)	1	1	1	2	ML393E
18	3YS4011-1268P1	AC Cable (U.K.)	1	1	1	1	ML393E
19	3YS4011-1265P1	AC Cable (Continental)	1	1	1	1	
20	3YX4043-2550G4	Space Motor Assy	1	1	3	6	
21	3PB4043-4249P1	LF Motor Assy	1	1	1	1	
22	4LP1313-313	Mini Pitch Belt (LF)	1	1	3	6	
23	3PA4043-2556P1	Platen Assy	1	1	3	6	ML393E
24	3PP4043-2466P1	Platen Gear A	1	1	3	6	ML393E
25	3PP4043-4246P1	Platen Pulley	1	1	3	6	
26	3YX4043-2561G1	Push Tractor Assy (L)	1	1	1	2	ML393E
27	3PA4043-2562G1	Push Tractor Assy (R)	1	1	1	2	ML393E

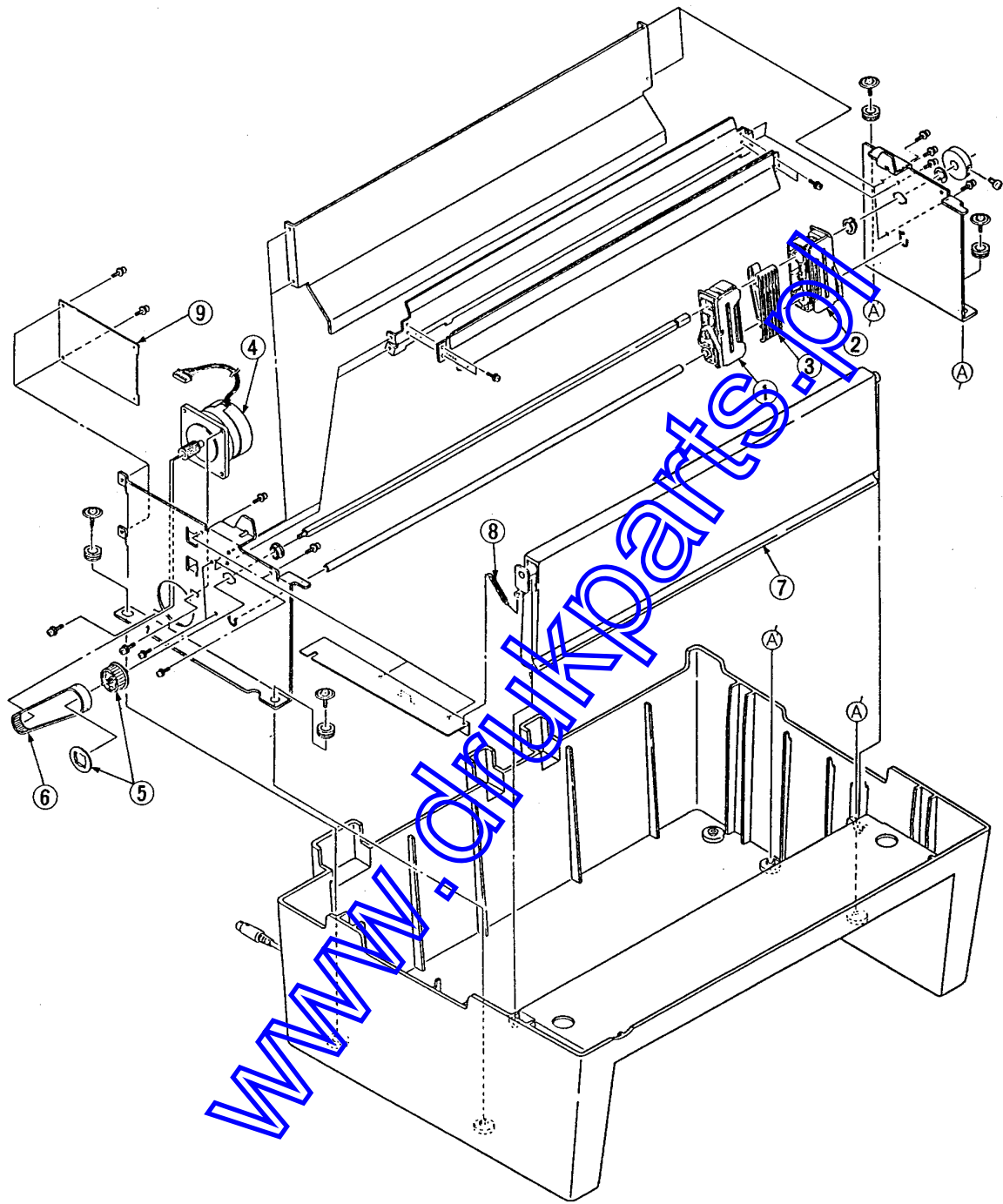
Table of Parts Number 2/3

No.	Parts No.	Description	Q'ty per Printer	Q'ty per year			Remarks
				A	B	C	
28	4PP4043-2451P1	Friction Piece	1	1	1	1	ML393E
29	3PP4043-2452P1	Center Guide Upper	1	1	1	1	ML393E
30	3PP4043-2453P1	Center Guide Lower A	1	1	1	1	ML393E
31	3PP4043-2454P1	Center Guide Lower B	1	1	1	1	ML393E
32	3YX4043-2751G1	Micro Switch Cable Assy (Cover Open)	1	1	1	2	ML393E
33	3PB4043-4204P1	Micro Switch Cable Assy (Adjust & Release Lever)	1	1	1	2	
34	4LB-193400-1	Spring (Paper Chute)	1	1	1	1	ML393E
35	3PP4043-2459P1	Release Lever	1	1	1	2	ML393E
36	4PP4043-2460P1	Release Lever Guide Block	1	1	1	2	ML393E
37	4PB4043-2754P1	Detent Spring (for Release Lever)	1	1	1	1	ML393E
38	4YX4043-2576G1	Sensor Assy (Cut Sheet)	1	1	1	1	
39	4PP4043-2458P1	Idle Gear	1	1	3	6	ML393E
40	4LB-190600-6	Spring (for Idle Gear)	1	1	1	1	ML393E
41	4PP4043-2456P1	Drive Gear A	1	1	3	6	ML393E
42	4PP4043-2457P1	Drive Gear B	1	1	3	6	ML393E
43	4PA4043-2584G1	Ribbon Feed Assy	1	1	3	6	ML393E
44	4PP4043-2628P1	Spring (Bail Arm (L))	1	1	1	1	ML393E
45	4LB-193100-2	Spring (Bail Arm (R))	1	1	1	1	ML393E
46	3PB4043-2601P1	Stepping Motor Assy (Bail Motor)	1	1	1	1	ML393E
47	5LR-193134-1	Idle Gear Bail Assy	1	1	3	6	ML393E
48	3PP4043-2504P1	Adjust Lever	1	1	1	1	ML393E
49	4PA4043-2711G1	Indicator Shaft Assy	1	1	1	1	ML393E
50	3PP4043-2509P1	Bail Arm (L)	1	1	1	2	ML393E
51	3PP4043-2510P1	Bail Arm (R)	1	1	1	2	ML393E
52	3PP4043-2764P1	Bail Open Cam	1	1	1	2	ML393E
53	4PB4044-1492P3	Mini Pitch Belt (Spacing)	1	2	6	12	ML393E
54	3YX4043-4232G1	Head Cable Assy	1	2	6	12	

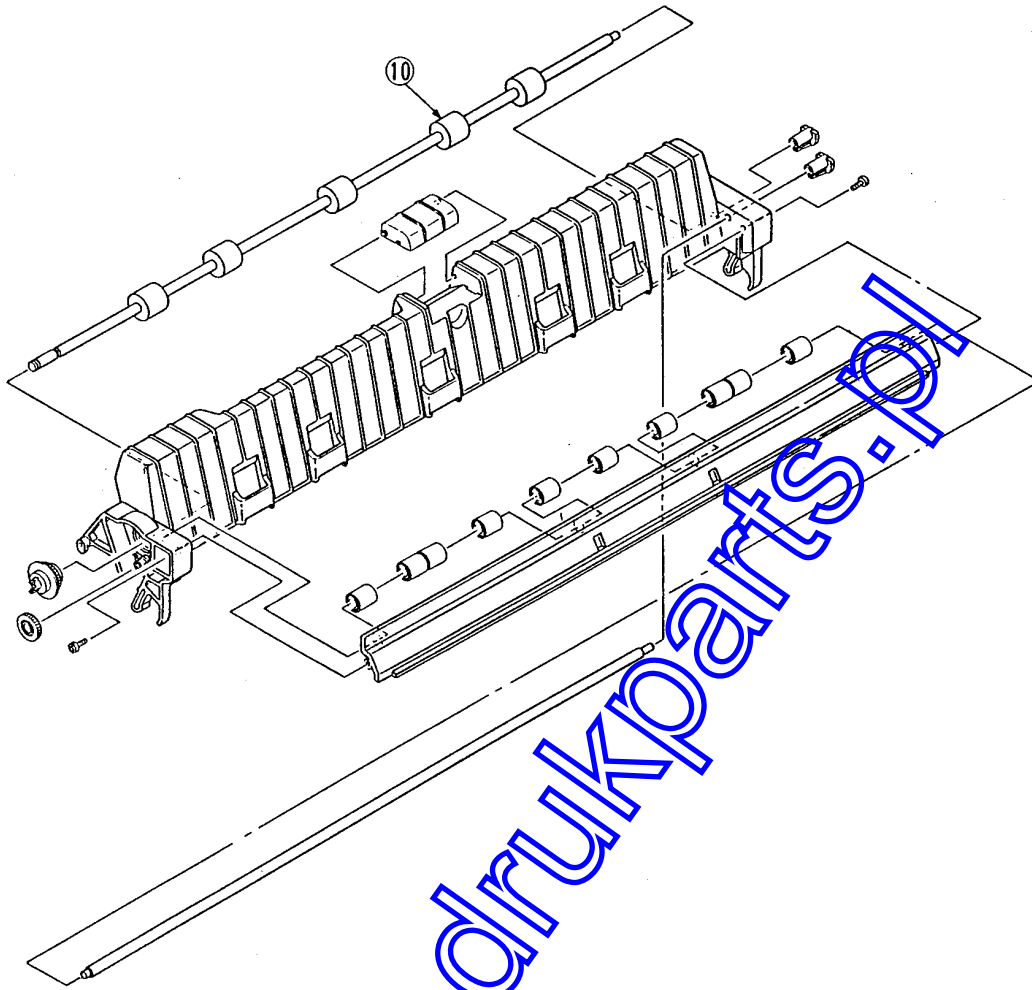
Table of Parts Number 3/3

No.	Parts No.	Description	Q'ty per Printer	Q'ty per year			Remarks
				A	B	C	
55	4PP4043-4241G1	Ribbon Guide Assy	1	1	3	6	
56	4PA4043-4235G1	Ribbon Protector Assy	1	2	6	12	
57	3YX4043-4228G1	Interlock Switch Assy	1	1	1	2	
58	4YX4043-4219G1	Cooling Fan	1	1	2	3	
59	4PP4043-4243P1	Ribbon Protector Screw	2	1	1	1	
60	4PP4043-4226P1	Eccentric Collar	2	1	1	1	
61	4PB4043-4348P1	Carriage Shaft	1	1		6	
62	4LP-5466-36	Sumi Card	1	1		3	
	(Option)						
63	3PA4016-4722G4	Tractor Cover Assy (Option)	1		1	1	ML393E
64	4PA4043-2684G1	Tractor Pull (L)	1	1	1	2	ML393E
65	4PA4043-2685G1	Tractor Pull (R)	1	1	1	2	ML393E

www.drukparts.pl



Bottom Push Tractor



Upper Roller Assembly

www.drukparts.pl

Table of Parts Number

No.	Parts number	Description	Q'ty	Q'ty Per Year			Remarks
				A	B	C	
1	4PA4043-2684G2	Pin tractor assembly (L)	1	1	1	1	
2	4PA4043-2685G2	Pin tractor assembly (R)	1	1	1	1	
3	4PP4025-2653P1	Sheet guide	1	1	1	1	
4	3PB4043-4249P1	LF motor	1	1	1	1	
5	4PP4043-4283P1	Drive pulley	1	1	1	2	
6	4LP-1313-59	Mini-pitch belt (120 teeth)	1	1	2	3	
7	2PA4094-6159G2	Bottom cover assembly	1	1	1	1	
8	4PP4043-4300P1	Tension spring	1	1	1	1	
9	4YA4042-1513G1	BTFD board	1	1	1	1	
10	3PB4043-4272P1	Drive roller	1	1	2	3	

www.drukparts.pl