

OKI

MICROLINE 3390/3391 PRINTER

Maintenance Manual

www.drukparts.pl

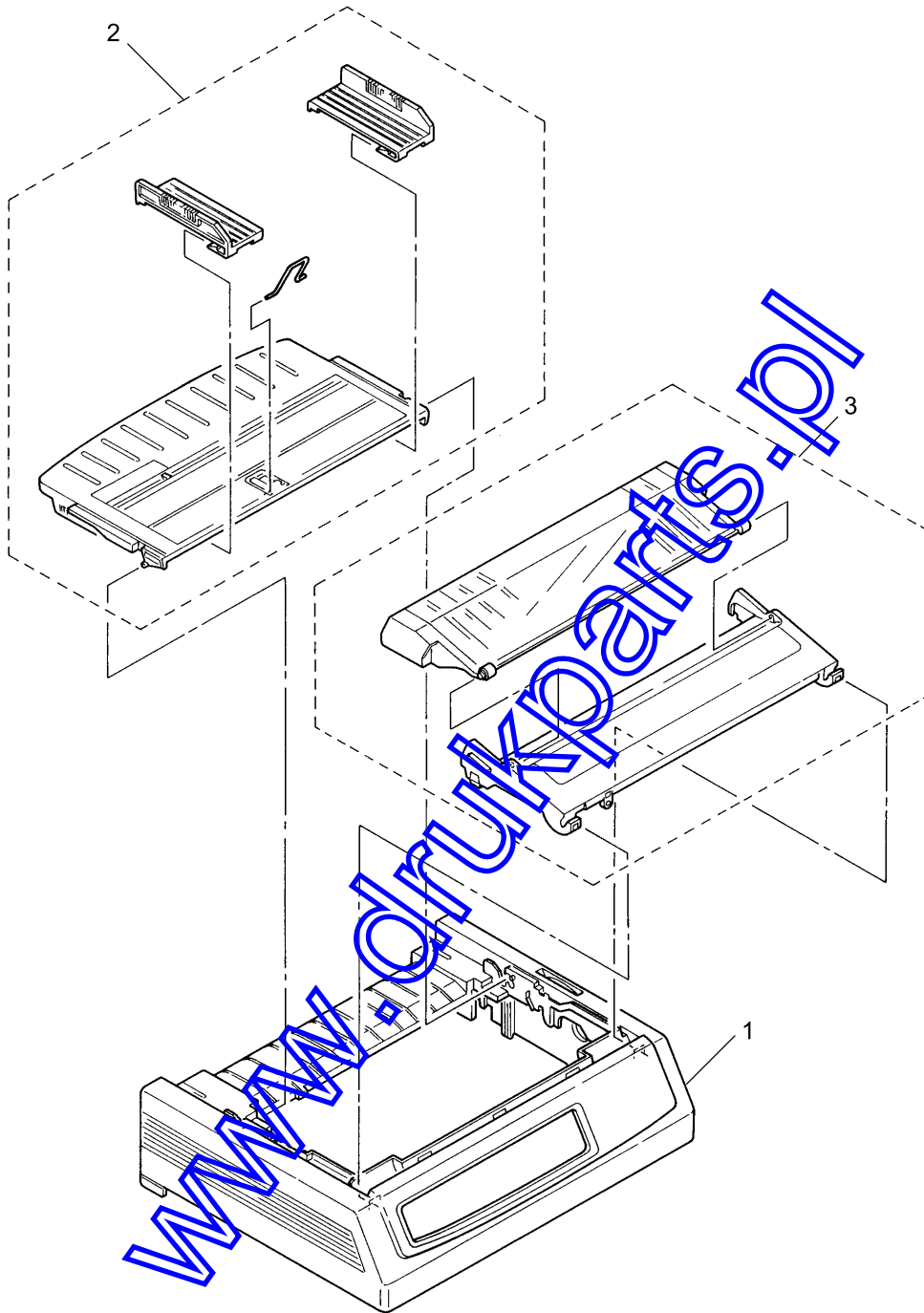


Figure 11-1 Upper Cover Assy

Figure 11-1 Upper Cover Assy

No.	Part No.	Description	Q'ty	Q'ty Required	Remarks
1	1PP4128-1186P3	Upper cover (N)	1	2	For ML3390
	1PP4128-1231P3	Upper cover (W)	1	2	For ML3391
2	1PA4094-7305G10	Sheet guide assy (N)	1	2	For ML3390
	1PA4094-7308G11	Sheet guide assy (W)	1	2	For ML3391
3	2PA4128-1237G1	Access cover assy (N)	1	2	For ML3390
	2PA4128-1241G1	Access cover assy (W)	1	2	For ML3391

www.drukparts.pl

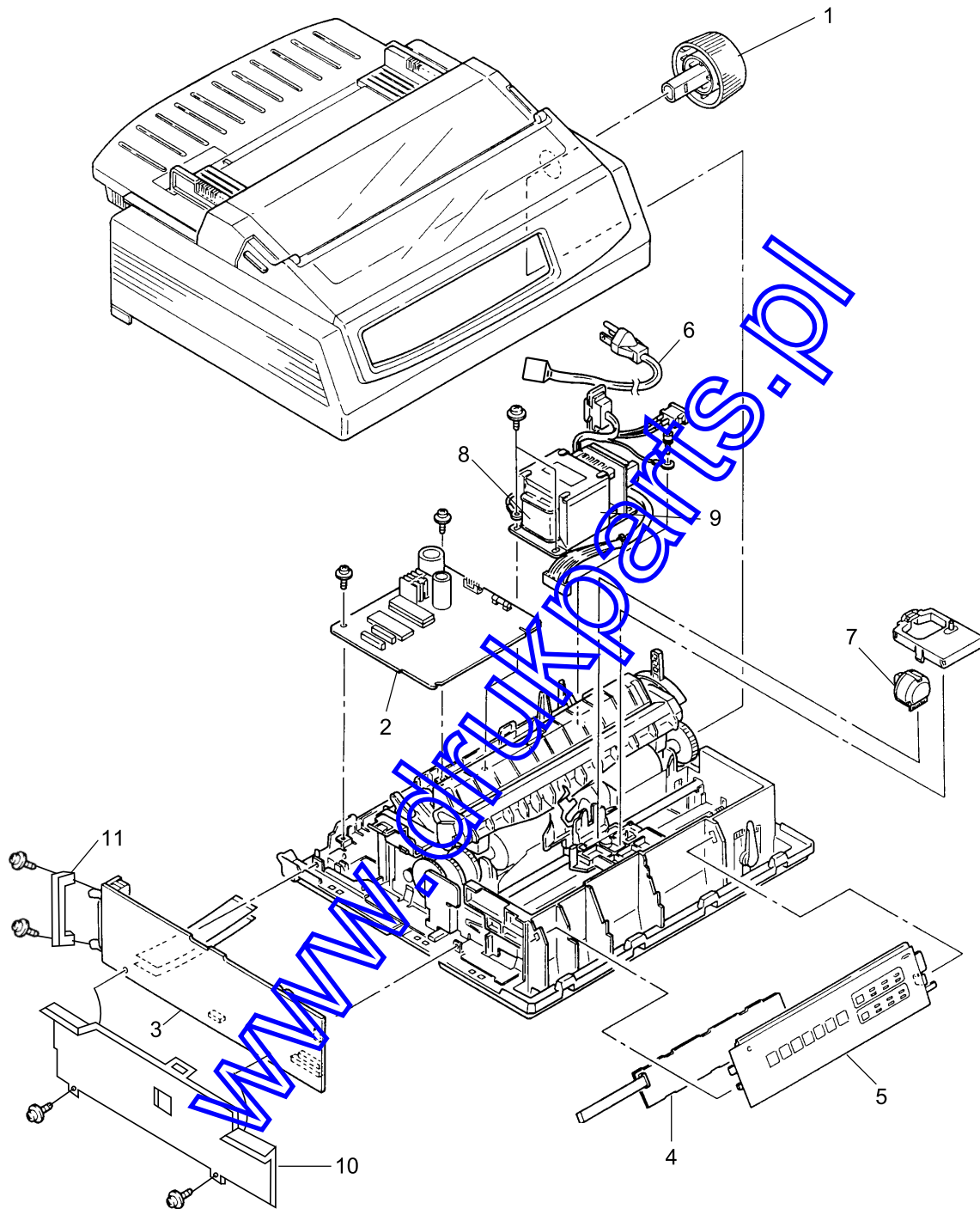


Figure 11-2 Printer General Assy

Figure 11-2 Printer General Assy

No.	Part No.	Description	Q'ty	Q'ty Required	Remarks
1	2PP4025-2871P21	Platen Knob	1	1	
2	4YA4042-1545G302	Control/Power supply board (SRXC)	1	9	Without ROM
3	4YA4042-1544G1	Driver board (SRXD)	1	9	
4	4YA4042-1516G4	Operator panel board (LEOP)	1	3	
5	3PP4044-5360G3	Operation panel	1	2	
6	3YS4011-1266P1	AC cord	1	1	
7	4YA4023-3101G1	Print head (24)	1	10	
8	40085501	Fuse 23702.5 (125V 2.5A)	1	10	For 120V
	4YB4042-1551P1	Fuse 2151.25 (250V 1.25A)	1	10	For 230/240V
9	4YB4049-7105P1	Transformer assy (ML3390 120V)	1	2	
	4YB4049-7106P1	Transformer assy (ML3390 230/240V)	1	2	
	4YB4049-7105P2	Transformer assy (ML3391 120V)	1	2	
	4YB4049-7106P2	Transformer assy (ML3391 230/240V)	1	2	
10	3PB4050-3429P1	PCB plate	1	2	
11	40045601	FG plate	1	2	

www.druckparts.pl

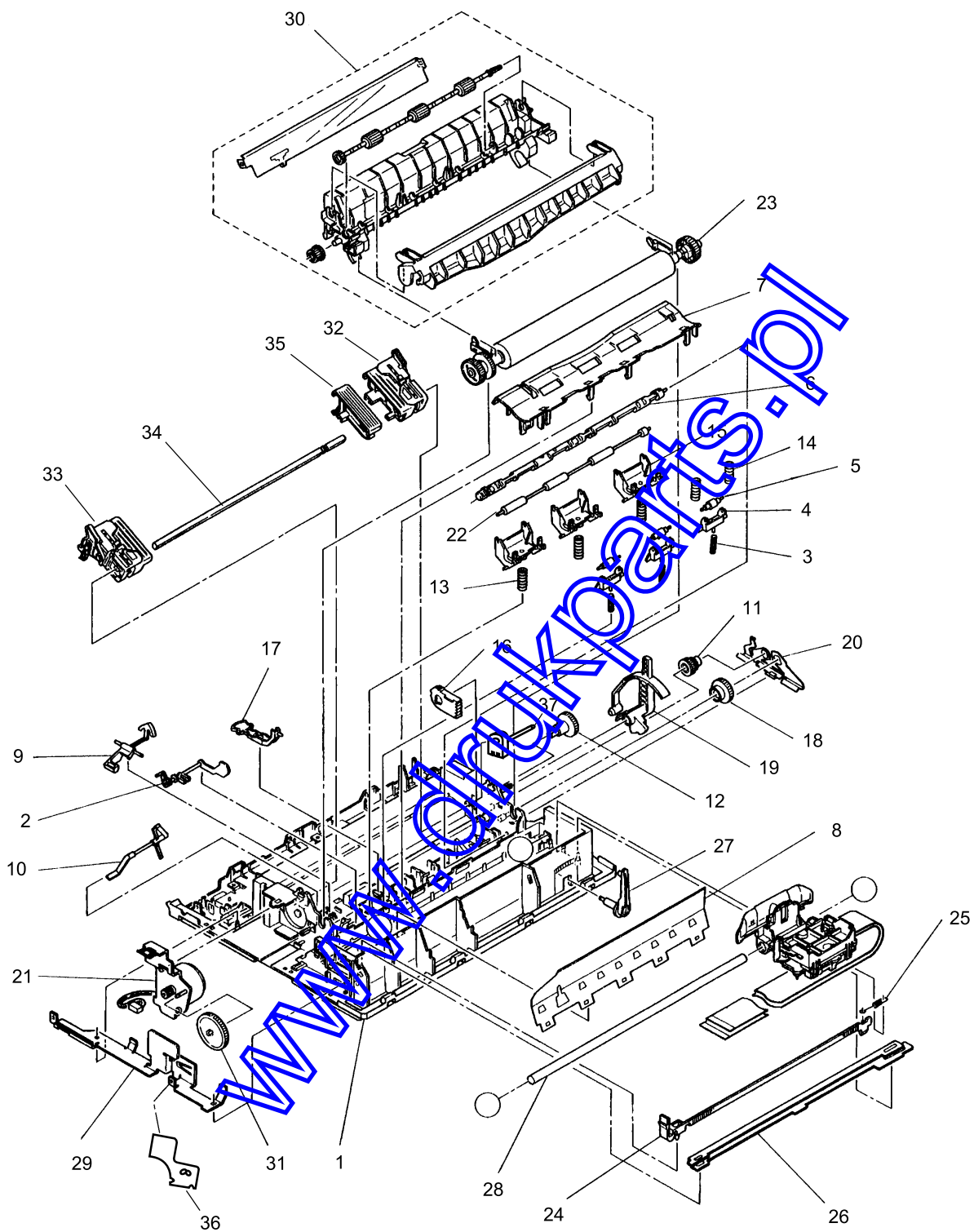


Figure 11-3 Printer Unit

Figure 11-3 Printer Unit

No.	Part No.	Description	Q'ty	Q'ty Required	Remarks
1	3PA4044-5002G2	Main Frame (N)	1	2	For ML3390
	3PA4044-5152G2	Main Frame (W)	1	2	For ML3391
2	3PP4044-5012P1	Bottom paper end lever	1	1	
3	4PP4044-5019P2	Pressure spring (F)	3	2	For ML3390
	4PP4044-5019P1	Pressure spring (F)	5	4	For ML3391
4	4PP4044-5031P2	Roller holder (F)	3	6	For ML3390
			5	8	For ML3391
5	4PA4025-3327G1	Front pressure roller assy	3	6	For ML3390
			5	8	For ML3391
6	3PP4044-5015P1	Release shaft (N)	1	2	For ML3390
	3PP4044-5157P1	Release shaft (W)	1		For ML3391
7	1PP4044-5021P1	Paper pan plate (N)	1	2	For ML3390
	1PP4044-5158P1	Paper pan plate (W)	1		For ML3391
8	3PP4025-3320P2	Leaf spring (N)	1	2	For ML3390
	3PP4025-3507P2	Leaf spring (W)	1	2	For ML3391
9	3PP4044-5011P1	Paper end lever	1	1	
10	3PP4044-5013P1	Sensor lever	1	1	
11	4PP4025-3340P1	Change gear	1	2	
12	3PP4025-3341P1	Tractor gear	1	2	
13	4PP4044-5020P1	Pressure spring (R)	3	2	For ML3390
			3	2	For ML3391
14	4PP4044-5163P1	Pressure spring (W)	2	1	For ML3391
15	3PP4044-5033P1	Roller holder (R)	3	6	For ML3390
			5	10	For ML3391
16	4PP4044-5017P1	Change arm	1	2	
17	3PP4044-5014P1	Switch lever	1	1	
18	4PP4044-5024P1	Idle gear	1	2	
19	2PP4044-5016P1	Change lever	1	2	
20	3PP4044-5023P1	Reset spring	1	2	
21	3PA4044-5110G2	LF motor assy	1	4	
22	3PP4044-5034P1	Rear pressure roller (N)	1	2	For ML3390
	3PP4044-5162P1	Rear pressure roller (W)	1	2	For ML3391

Figure 11-3 Printer Unit

No.	Part No.	Description	Q'ty	Q'ty Required	Remarks
23	3PA4044-5025G2	Platen assy (N)	1	3	For ML3390
	3PA4044-5159G2	Platen assy (W)	1	3	For ML3391
24	3PP4044-5010P1	Space rack gear (N)	1	3	For ML3390
	3PP4044-5156P1	Space rack gear (W)	1	3	For ML3391
25	4PB4025-3377P2	Rack tension spring	1	1	
26	3PP4044-5008P1	Guide rail plate (N)	1	1	For ML3390
	3PP4044-5155P1	Guide rail plate (W)	1	1	For ML3391
27	3PP4025-2810P1	Adjust cam	1	1	
28	4PP4044-5009P1	Carriage shaft (N)	1	1	For ML3390
	4PP4044-5009P2	Carriage shaft (W)	1	1	For ML3391
29	3PP4044-5005P1	FG plate (L)	1	1	
30	3PA4044-5050G2	Pull-up roller assy (N)	1	2	For ML3390
	3PA4044-5165G2	Pull-up roller assy (W)	1	2	For ML3391
31	4PP4044-5116P1	Idle gear (24)	1	4	
32	4PA4044-5041G2	Tractor frame assy (R)	1	2	
33	4PA4044-5043G2	Tractor frame assy (L)	1	2	
34	4PP4025-3335P3	Drive shaft	1	2	For ML3390
	4PP4025-3335P4	Drive shaft	1	2	For ML3391
35	3PP4044-5046P1	Tractor sheet guide	1	2	For ML3391
36	4PB4044-5095P1	FG plate (R)	1	2	
37	3PP4044-5089P1	Change gear shaft	1	2	

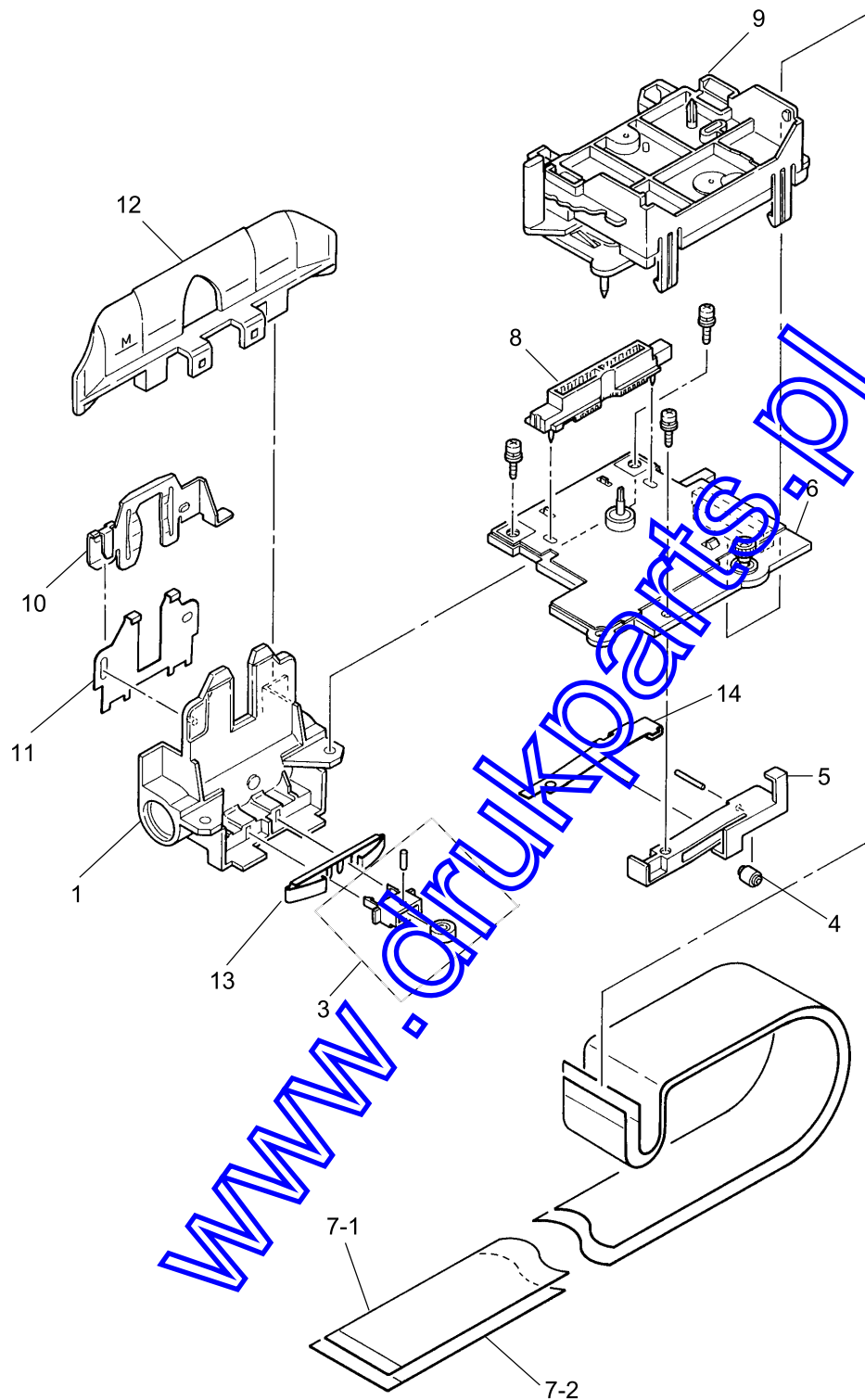


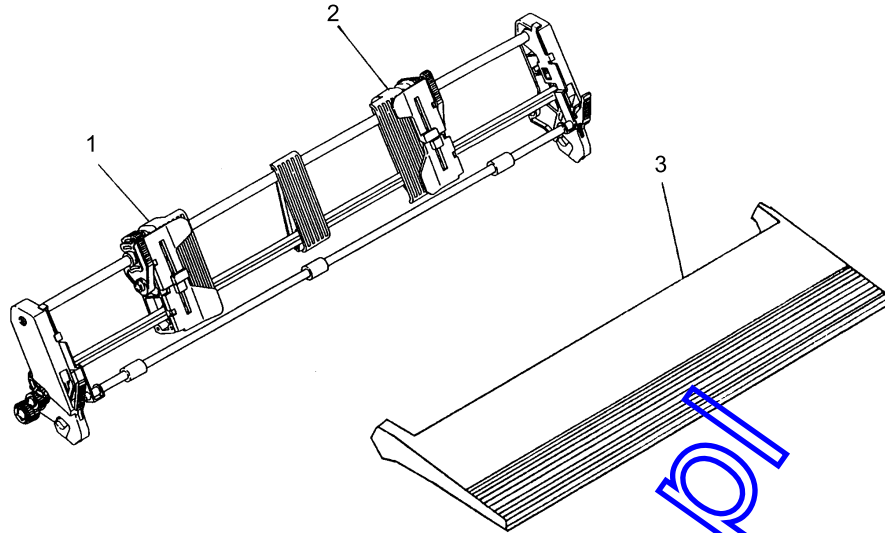
Figure 11-4 Carriage Assy

Figure 11-4 Carriage Option Assy

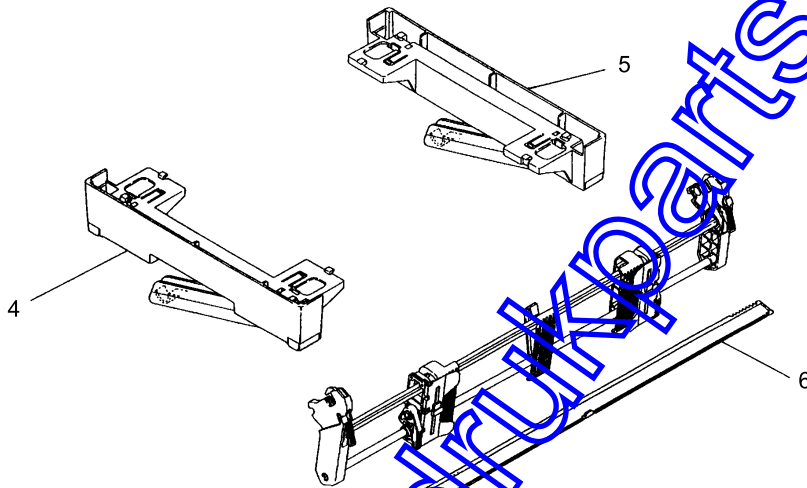
No.	Part No.	Description	Q'ty	Q'ty Required	Remarks
1	4PP4044-5061G1	Carriage frame set	1	2	
2	_____	_____	_____	_____	_____
3	4PA4025-3718G1	Back up roller holder assy	1	2	
4	4PP4025-3398P1	Guide roller	1	2	
5	3PP4044-5065P1	Guide roller holder	1	2	
6	4YA4044-5120G1	Space motor assy (24)	1	4	
7-1	3PB4044-5506P1	Head cable (9N)	1	5	For ML3390
	3PB4044-5507P1	Head cable (9W)	1	5	For ML3391
7-2	3PB4044-5508P1	Head cable (24N)	1	5	For ML3390
	3PB4044-5509P1	Head cable (24W)	1	5	For ML3391
8	3PB4025-1241P1	PC connector (36/40)	1		
9	3PA4044-5070G2	Gear case assy	1	3	
10	3PP4044-5068P1	Head clamp holder		1	
11	4PP4044-5067P1	Head plate	1	1	
12	3PP4044-5064P1	Ribbon protector frame	1	2	
13	4PP4025-3397P2	Back up roller holder spring	1	1	
14	4PP4044-5066P1	Guide roller holder spring	1	1	

www.druckparts.de

[Pull-Tractor]



[Bottom-Tractor]



[I/F Board]

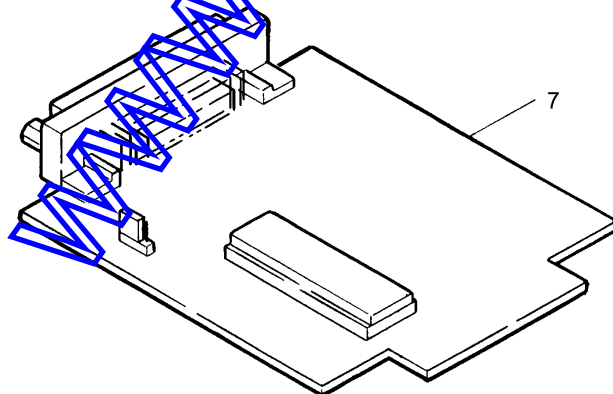


Figure 11-5 Option Spare Parts

Figure 11-5 Option Spare Parts

No.	Part No.	Description	Q'ty	Q'ty Required	Remarks
1	4PA4025-3608G1	Pull and bottom tractor assy (L)	1	2	
2	4PA4025-3603G1	Pull and bottom tractor assy (R)	1	2	
3	2PP4128-1239G1	Tractor cover assy (N)	1	3	For ML3390
	2PP4128-1243G1	Tractor cover assy (W)	1	3	For ML3391
4	1PA4128-1277G1	Bottom push stand (L)	1	2	
5	1PA4128-1277G2	Bottom push stand (R)	1	2	
6	4PP4094-7385G1	Paper knife (N)	1	1	For ML3390
	4PP4094-7386G1	Paper knife (W)	1	1	For ML3391
7	4YA4021-1050G1	LXHI-PCB (RS232 I/F)	1	2	

www.drukparts.nl