

OKI

MICROLINE 3320/3321 PRINTER

Maintenance Manual

www.drukparts.pl

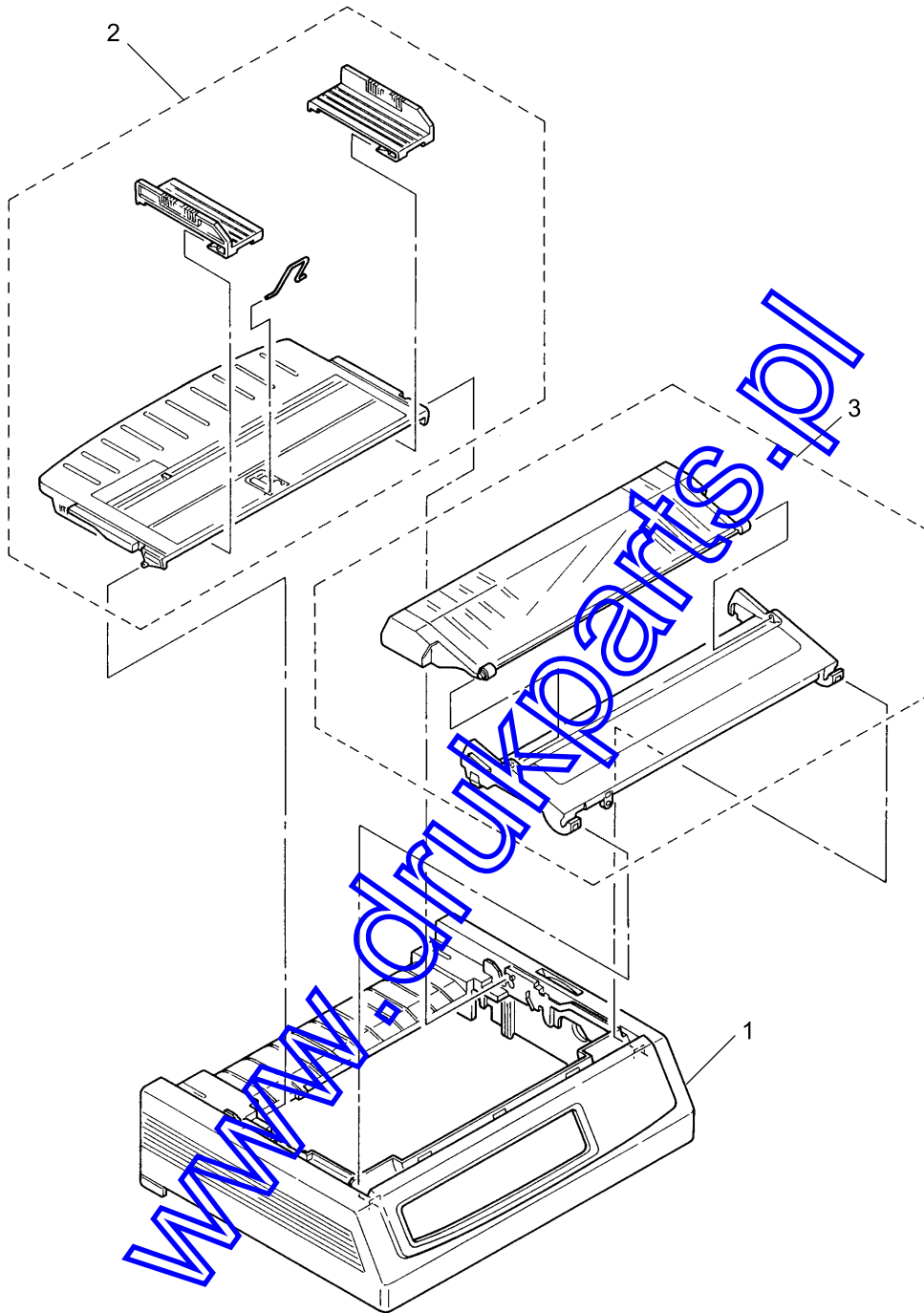


Figure 11-1 Upper Cover Assy

Figure 11-1 Upper Cover Assy

| No. | Part No. | Description | Q'ty | Q'ty Required | Remarks | |
|-----|-----------------|-----------------------|------|---------------|------------|---------|
| 1 | 1PP4128-1186P6 | Upper cover (N) | 1 | 2 | For ML3320 | For INT |
| | 1PP4128-1186P4 | Upper cover (N) | 1 | 2 | For ML3320 | For OEL |
| | 1PP4128-1186P2 | Upper cover (N) | 1 | 2 | For ML3320 | For ODA |
| | 1PP4128-1231P6 | Upper cover (W) | 1 | 2 | For ML3321 | For INT |
| | 1PP4128-1231P4 | Upper cover (W) | 1 | 2 | For ML3321 | For OEL |
| | 1PP4128-1231P2 | Upper cover (W) | 1 | 2 | For ML3321 | For ODA |
| 2 | 1PA4094-7305G10 | Sheet guide assy (N) | 1 | 2 | For ML3320 | |
| | 1PA4094-7308G11 | Sheet guide assy (W) | 1 | 2 | For ML3321 | |
| 3 | 2PA4128-1237G1 | Access cover assy (N) | 1 | 2 | For ML3320 | |
| | 2PA4128-1241G1 | Access cover assy (W) | 1 | 2 | For ML3321 | |

www.drukparts.nl

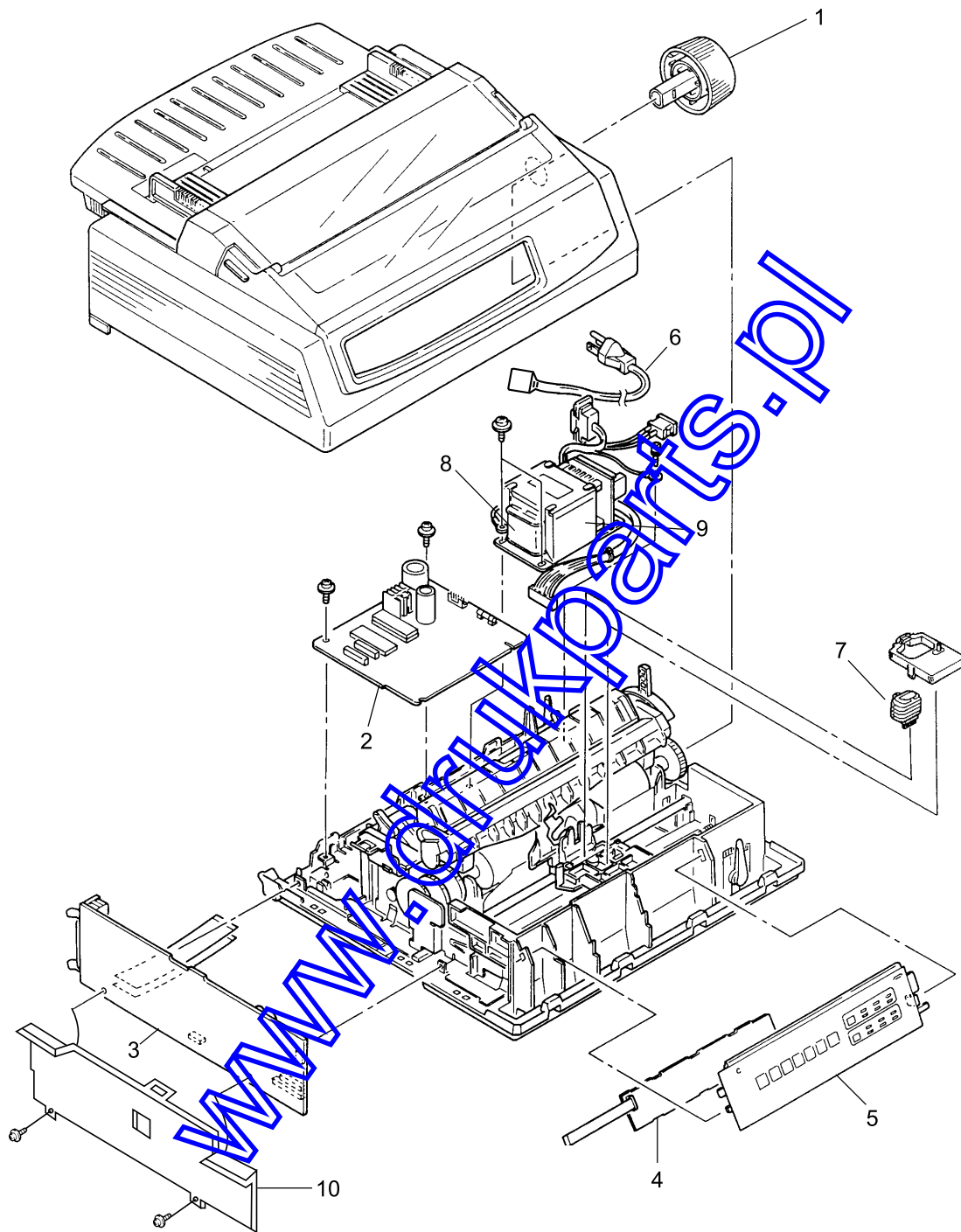


Figure 11-2 Printer General Assy

Figure 11-2 Printer General Assy

| No. | Part No. | Description | Q'ty | Q'ty Required | Remarks | |
|-----|------------------|---|------|---------------|--------------|----------|
| 1 | 2PP4025-2871P21 | Platen Knob | 1 | 1 | | |
| 2 | 4YA4042-1543G301 | Control/power supply board (SDCT) | 1 | 9 | For ODA | |
| | 4YA4042-1543G302 | Control/power supply board (SDCT) | 1 | 9 | For OEL | |
| | 4YA4042-1543G303 | Control/power supply board (SDCT) | 1 | 9 | For INT | |
| 3 | 4YA4042-1549G1 | Driver board (SDDV) | 1 | 9 | ROM | |
| 4 | 4YA4042-1516G3 | Operator panel board (LEOP-3) | 1 | 3 | | |
| 5 | 3PP4044-5360G1 | Operation panel | 1 | 2 | | |
| 6 | 3YS4011-1315P1 | AC cord | 1 | 1 | For ODA | |
| | 3YS4011-1266P1 | AC cord | 1 | 1 | For OEL | |
| | 3YS4011-1329P2 | AC cord A | 1 | 1 | For INT | |
| | 3YS4011-1269P1 | AC cord for 230V | 1 | | | |
| 7 | 4YA4023-3301G1 | Printhead (9) | 1 | 1 | | |
| 8 | 4YB4042-1553P1 | Fuse 237002 (125V 2A) | 1 | 10 | For 120V | |
| | 4YB4042-1552P1 | Fuse 217001 (250V 1A) | 1 | 10 | For 230/240V | |
| 9 | 4YB4049-7103P1 | Transformer assy (ML320 Turbo 120V) | 1 | 2 | | |
| | 4YB4049-7104P1 | Transformer assy (ML320 Turbo 230/240V) | 1 | 2 | | |
| | 4YB4049-7103P2 | Transformer assy (ML321 Turbo 120V) | 1 | 2 | | |
| | 4YB4049-7104P2 | Transformer assy (ML321 Turbo 230/240V) | 1 | 2 | | |
| 10 | 3PB4050-3429P2 | PCB plate | 1 | 2 | For 230V | ODA, OEL |

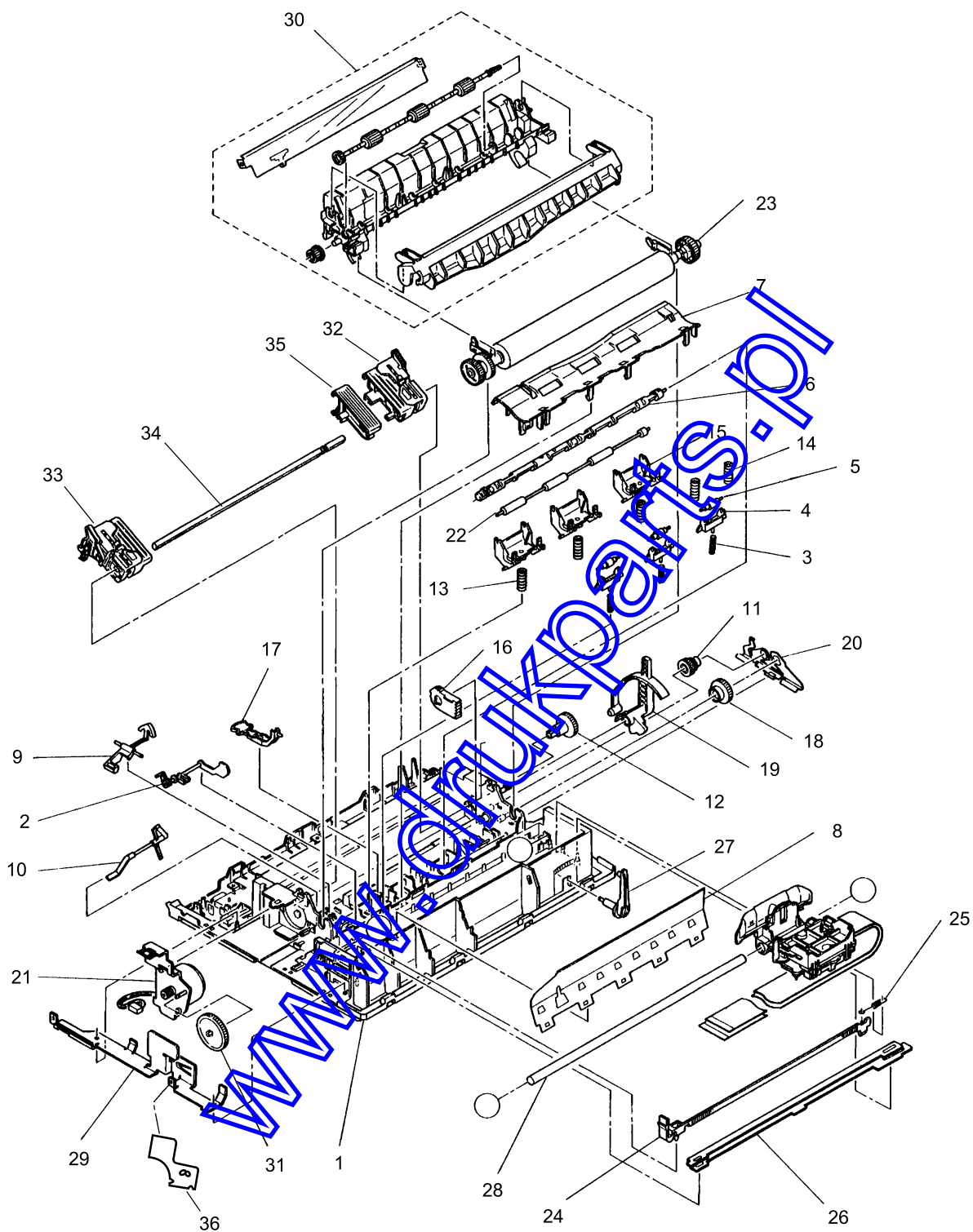


Figure 11-3 Printer Unit

Figure 11-3 Printer Unit

| No. | Part No. | Description | Q'ty | Q'ty Required | Remarks |
|-----|----------------|--------------------------|------|---------------|------------|
| 1 | 3PA4044-5002G2 | Main chassis assy (N) | 1 | 2 | For ML3320 |
| | 3PA4044-5152G2 | Main chassis assy (W) | 1 | 2 | For ML3321 |
| 2 | 3PP4044-5012P1 | Bottom paper end lever | 1 | 1 | |
| 3 | 4PP4044-5019P2 | Pressure spring (F) | 3 | 2 | For ML3320 |
| | 4PP4044-5019P1 | Pressure spring (F) | 5 | 4 | For ML3321 |
| 4 | 4PP4044-5031P2 | Roller holder (F) | 3 | 6 | For ML3320 |
| | | | 5 | 8 | For ML3321 |
| 5 | 4PA4025-3327G1 | Front pressure roller | 3 | 6 | For ML3320 |
| | | | 5 | 8 | For ML3321 |
| 6 | 3PP4044-5015P1 | Release shaft (N) | 1 | 2 | For ML3320 |
| | 3PP4044-5157P1 | Release shaft (W) | 1 | 2 | For ML3321 |
| 7 | 1PP4044-5021P1 | Paper pan plate (N) | 1 | 2 | For ML3320 |
| | 1PP4044-5158P1 | Paper pan plate (W) | 1 | 2 | For ML3321 |
| 8 | 3PP4025-3320P2 | Leaf spring (N) | 1 | 2 | For ML3320 |
| | 3PP4025-3507P2 | Leaf spring (W) | 1 | 2 | For ML3321 |
| 9 | 3PP4044-5011P1 | Paper end lever | 1 | 1 | |
| 10 | 3PP4044-5013P1 | Sensor lever | 1 | 1 | |
| 11 | 4PP4025-3340P1 | Change gear | 1 | 2 | |
| 12 | 3PP4025-3341P1 | Tractor gear | 1 | 2 | |
| 13 | 4PP4044-5020P1 | Pressure spring (R) | 3 | 2 | For ML3320 |
| | | | 3 | 2 | For ML3321 |
| 14 | 4PP4044-5163P1 | Pressure spring (W) | 2 | 1 | For ML3321 |
| 15 | 3PP4044-5033P1 | Roller holder (R) | 3 | 6 | For ML3320 |
| | | | 5 | 10 | For ML3321 |
| 16 | 4PP4044-5017P1 | Change arm lever | 1 | 2 | |
| 17 | 3PP4044-5014P1 | Switch lever | 1 | 1 | |
| 18 | 4PP4044-5024P1 | Idle gear (PLT) | 1 | 2 | |
| 19 | 2PP4044-5016P1 | Change lever | 1 | 2 | |
| 20 | 3PP4044-5023P1 | Reset spring D | 1 | 2 | |
| 21 | 3PA4044-5110G1 | LF motor assy | 1 | 4 | |
| 22 | 3PP4044-5034P1 | Rear pressure roller (N) | 1 | 2 | For ML3320 |
| | 3PP4044-5162P1 | Rear pressure roller (W) | 1 | 2 | For ML3321 |

| No. | Part No. | Description | Q'ty | Q'ty Required | Remarks |
|-----|----------------|-------------------------------|------|---------------|------------|
| 23 | 3PA4044-5025G2 | Platen assy (N) | 1 | 3 | For ML3320 |
| | 3PA4044-5159G2 | Platen assy (W) | 1 | 3 | For ML3321 |
| 24 | 3PP4044-5010P1 | Space rack gear (N) | 1 | 3 | For ML3320 |
| | 3PP4044-5156P1 | Space rack gear (W) | 1 | 3 | For ML3321 |
| 25 | 4PB4025-3377P2 | Tension spring for space rack | 1 | 1 | |
| 26 | 3PP4044-5008P1 | Guide rail plate (N) | 1 | 1 | For ML3320 |
| | 3PP4044-5155P1 | Guide rail plate (W) | 1 | 1 | For ML3321 |
| 27 | 3PP4025-2810P2 | Adjust cam | 1 | 1 | |
| 28 | 4PP4044-5009P1 | Carriage shaft | 1 | 1 | For ML3320 |
| | 4PP4044-5009P2 | Carriage shaft | 1 | 1 | For ML3321 |
| 29 | 3PP4044-5005P1 | FG plate (L) | 1 | | |
| 30 | 3PA4044-5050G1 | Pull-up roller assy (N) | 1 | 2 | For ML3320 |
| | 3PA4044-5165G1 | Pull-up roller assy (W) | | | For ML3321 |
| 31 | 4PP4044-5115P1 | Idle gear (9) | | 4 | |
| 32 | 4PA4044-5041G2 | Tractor frame assy (R) | | 2 | |
| 33 | 4PA4044-5043G2 | Tractor frame assy (L) | | 2 | |
| 34 | 4PP4025-3335P3 | Drive shaft | 1 | 2 | For ML3320 |
| | 4PP4025-3335P4 | Drive shaft | 1 | 2 | For ML3321 |
| 35 | 3PP4044-5046P1 | Tractor sheet guide | 1 | 2 | For ML3321 |
| 36 | 4PB4044-5095P1 | FG plate (R) | | | |

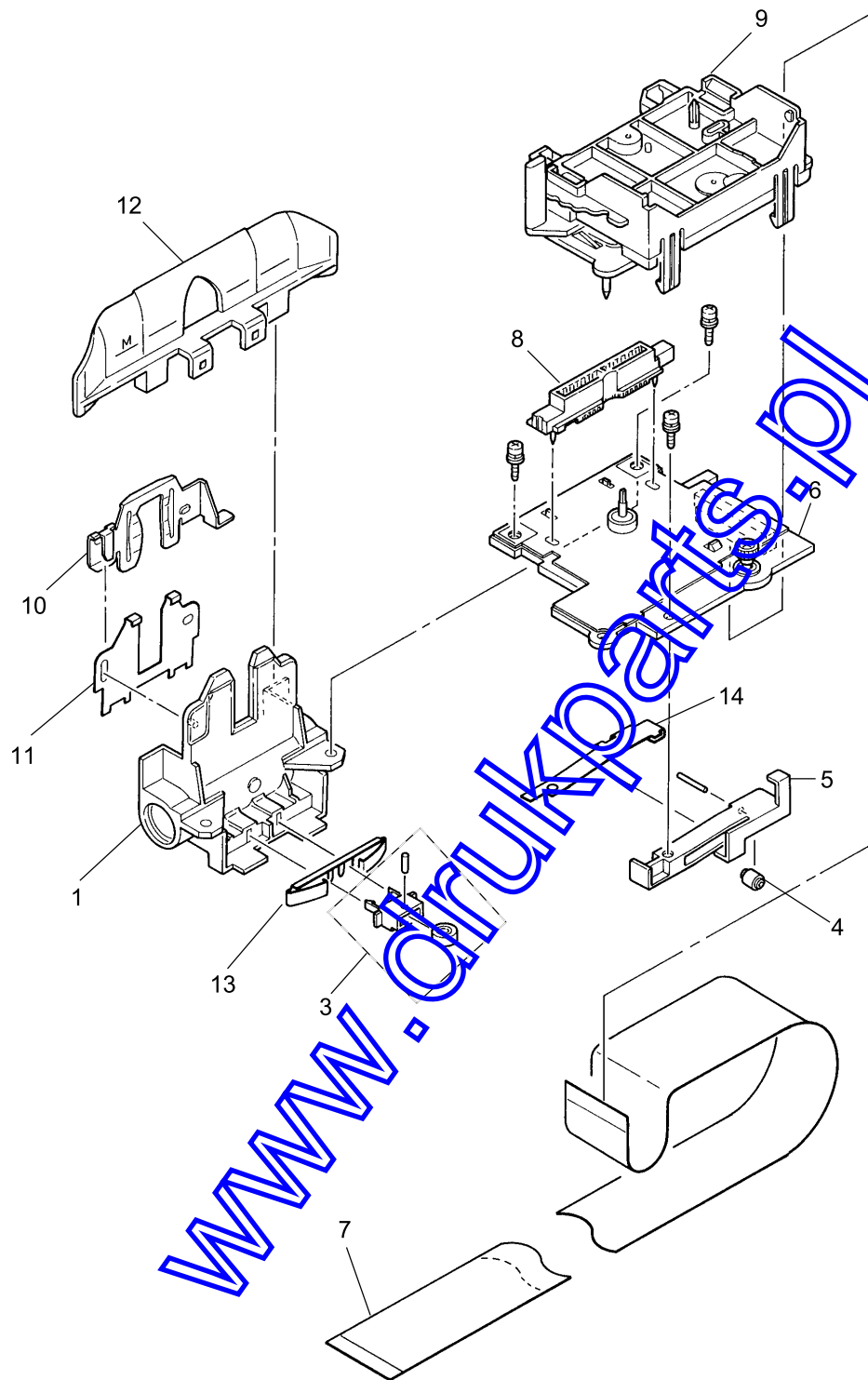


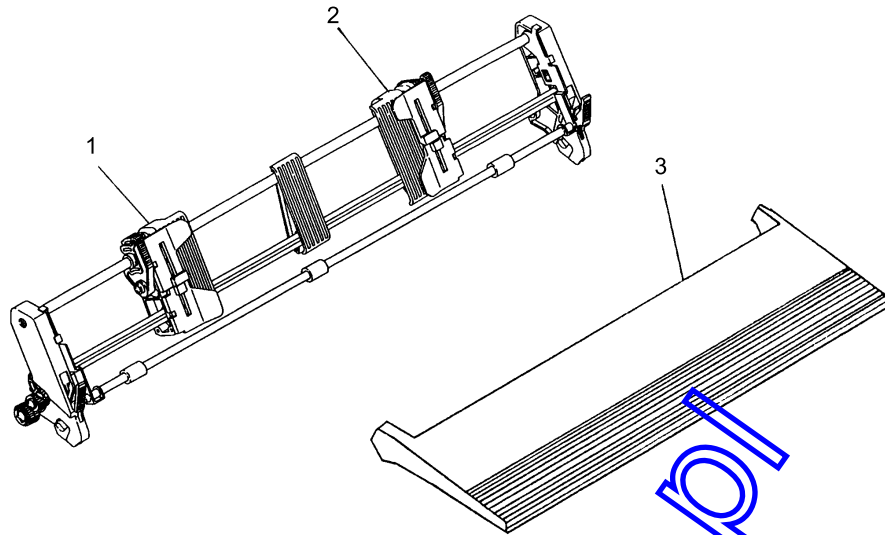
Figure 11-4 Carriage Assy

Figure 11-4 Carriage Option Assy

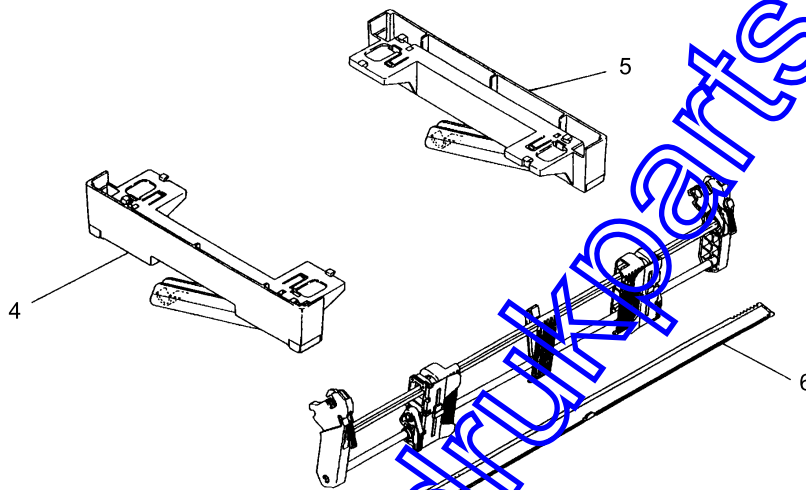
| No. | Part No. | Description | Q'ty | Q'ty Required | Remarks |
|-----|----------------|------------------------------|-------|------------------|------------|
| 1 | 4PP4044-5061G1 | Carriage frame set | 1 | 2 | |
| 2 | _____ | _____ | _____ | _____ | _____ |
| 3 | 4PA4025-3718G1 | Back up roller holder assy | 1 | 2 | |
| 4 | 4PP4025-3398P1 | Guide roller | 1 | 2 | |
| 5 | 3PP4044-5065P1 | Guide roller holder | 1 | 2 | |
| 6 | 4YA4044-5100G1 | Space motor assy | 1 | 4 | |
| 7 | 3PB4044-5506P1 | Head cable (9N) | 1 | 5 | For ML3320 |
| | 3PB4044-5507P1 | Head cable (9W) | 1 | 5 | For ML3321 |
| 8 | 3PB4044-5125P1 | 15-pin connector | 1 | | |
| 9 | 3PA4044-5070G1 | Gear case assy | 1 | 3 | |
| 10 | 3PP4044-5068P1 | Head clamp | 1 | 1 | |
| 11 | 4PP4044-5067P1 | Head plate | | 1 | |
| 12 | 3PP4044-5064P1 | Ribbon protector | 1 | 2 | |
| 13 | 4PP4025-3397P1 | Back up roller holder spring | 1 | 1 | |
| 14 | 4PP4044-5066P1 | Guide roller spring | 1 | 1 | |

www.druckparts.pl

[Pull-Tractor]



[Bottom-Tractor]



[I/F Board]

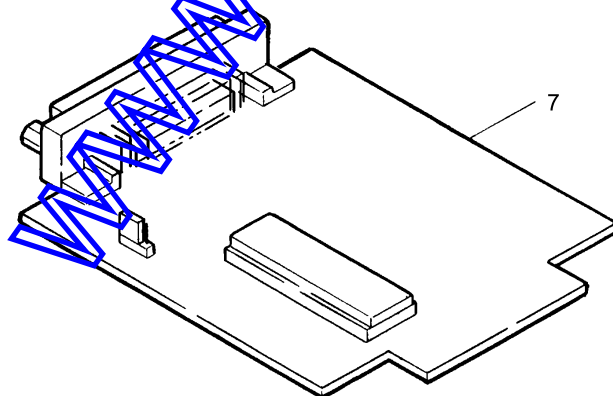


Figure 11-5 Option Spare Parts

Figure 11-5 Option Spare Parts

| No. | Part No. | Description | Q'ty | Q'ty Required | Remarks |
|-----|----------------|----------------------------------|------|---------------|------------|
| 1 | 4PA4025-3608G1 | Pull and bottom tractor assy (L) | 1 | 2 | |
| 2 | 4PA4025-3603G1 | Pull and bottom tractor assy (R) | 1 | 2 | |
| 3 | 2PP4128-1239G1 | Tractor cover assy (N) | 1 | 3 | For ML3320 |
| | 2PP4128-1243G1 | Tractor cover assy (W) | 1 | 3 | For ML3321 |
| 4 | 1PA4128-1277G1 | Bottom push stand (L) | 1 | 2 | |
| 5 | 1PA4128-1277G2 | Bottom push stand (R) | 1 | 2 | |
| 6 | 4PP4094-7385G1 | Paper knife (N) | 1 | 1 | For ML3320 |
| | 4PP4094-7386G1 | Paper knife (W) | 1 | 1 | For ML3321 |
| 7 | 4YA4021-1050G1 | LXHI-PCB (RS232 I/F) | 1 | 3 | |

www.drukparts.nl