

# OKI

---

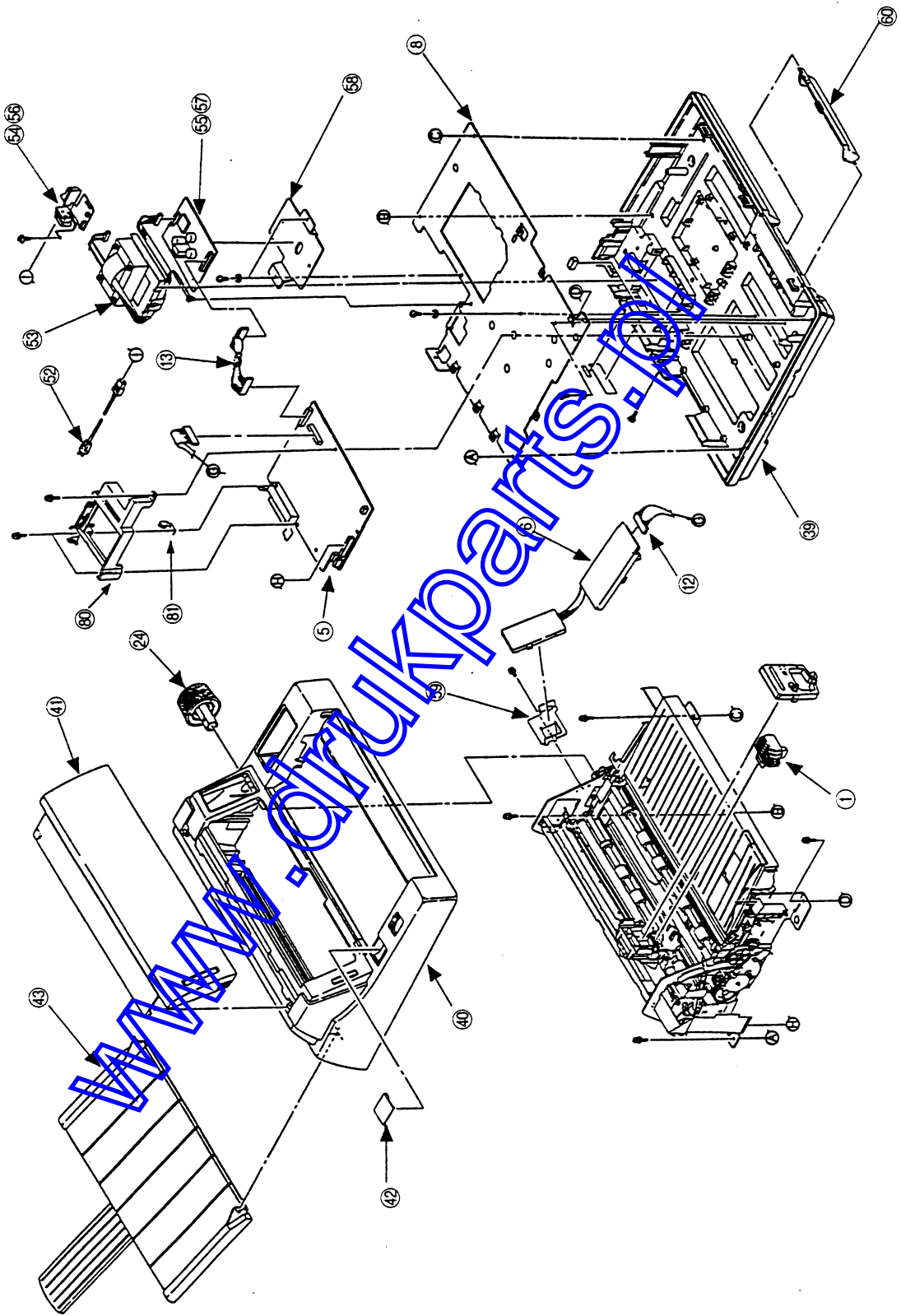
## MICROLINE 320FB Printer

Maintenance Manual

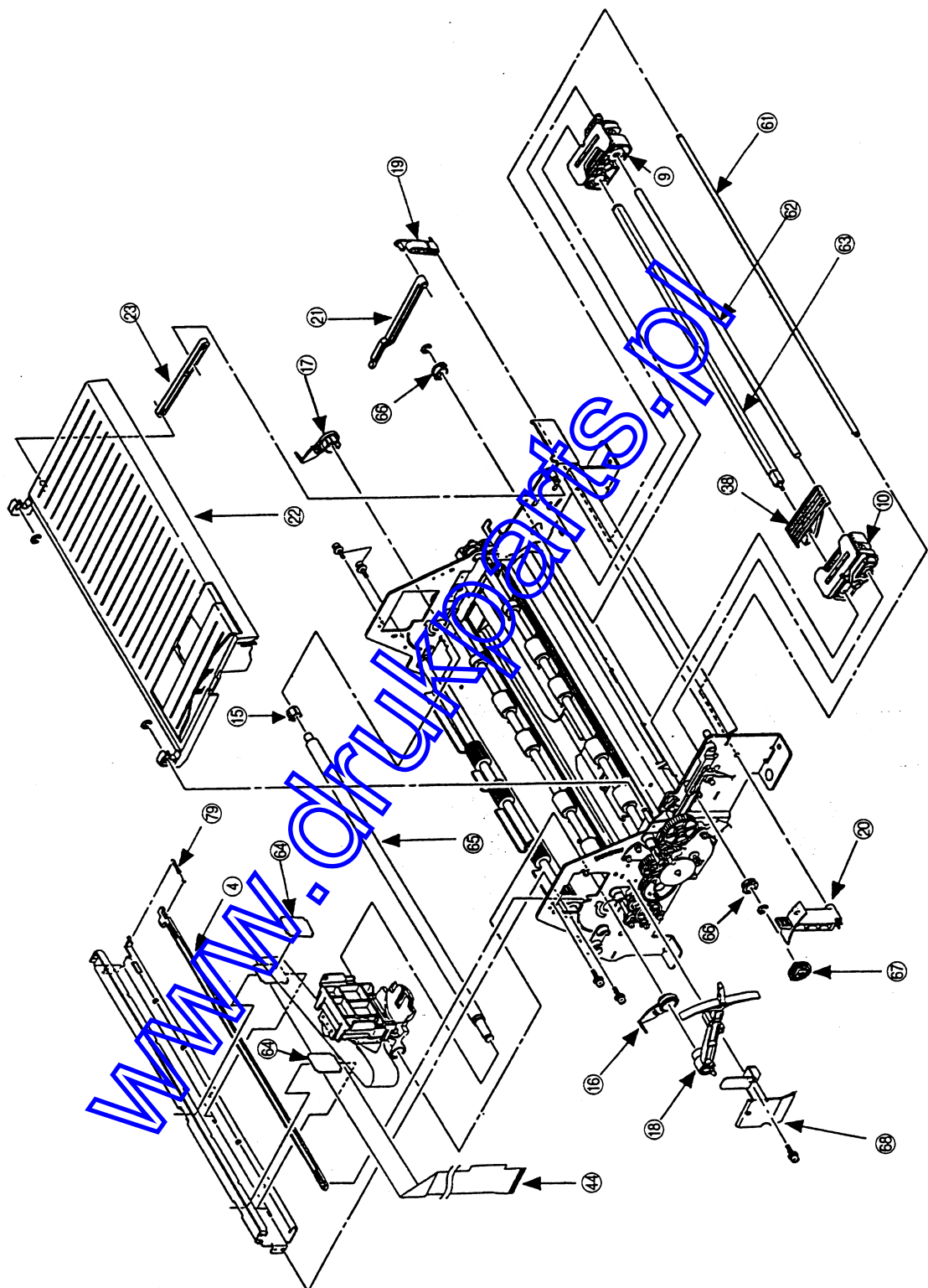
[www.drukparts.pl](http://www.drukparts.pl)

---

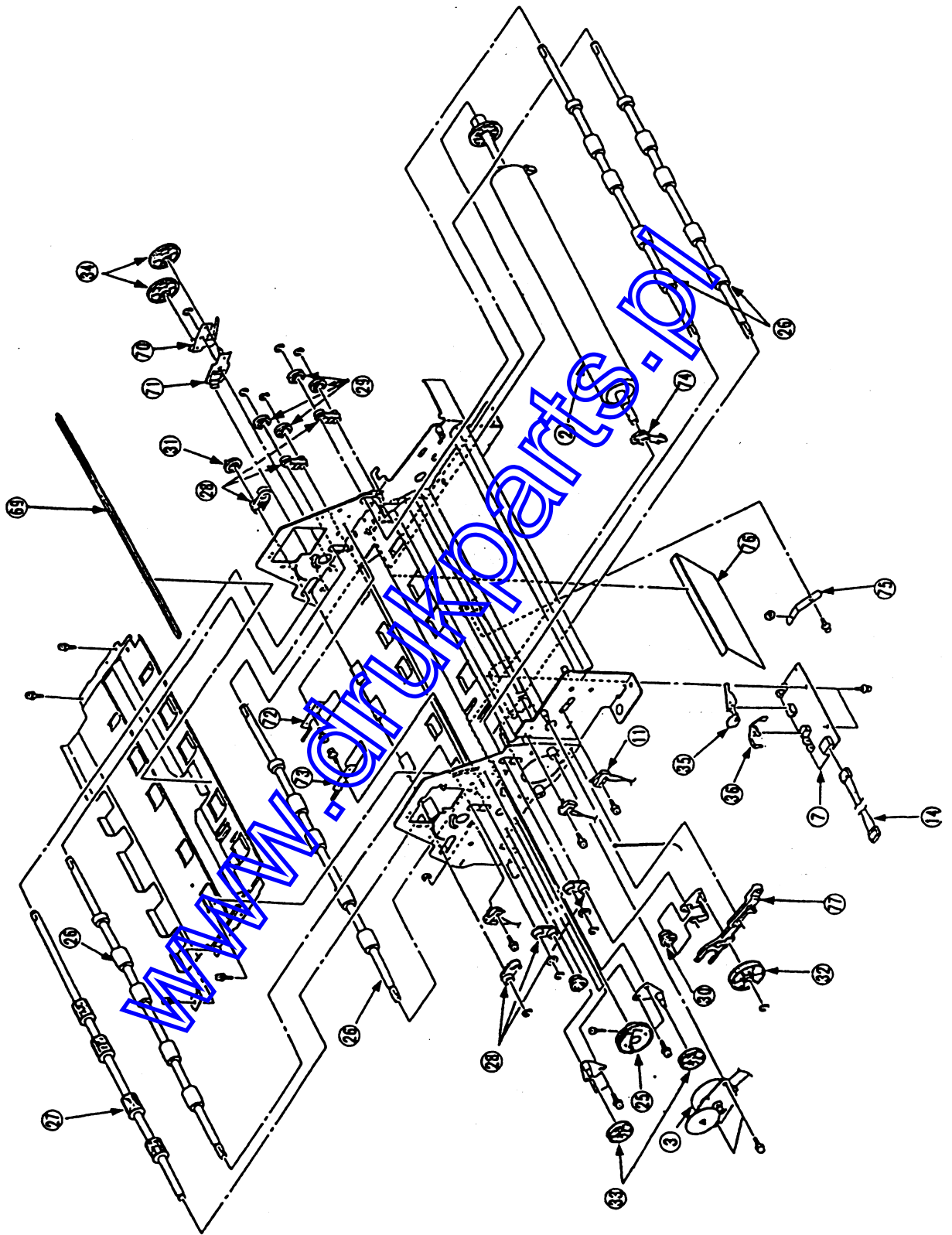
*All specifications are subject to change without notice.*



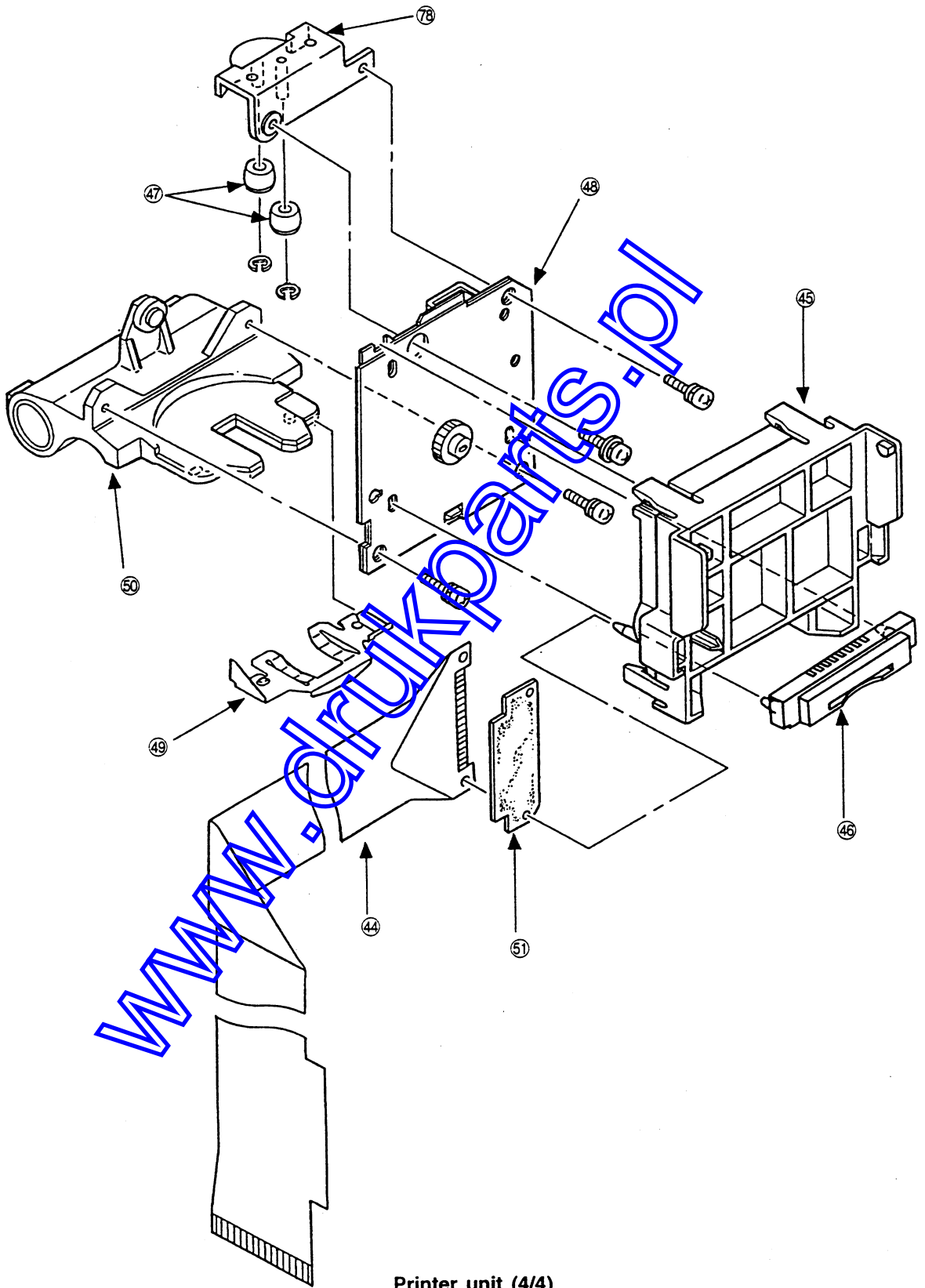
Printer unit (1/4)



Printer unit (2/4)



Printer unit (3/4)



Printer unit (4/4)

Spare parts list (1/3)

| No. | Item No.            | Item name  | Q'ty | Q'ty of spare parts/year | Remarks                             |
|-----|---------------------|--|------|--------------------------|-------------------------------------|
|     |                     |  |      | 500                      |                                     |
|     | (Printer Mechanism) |  |      |                          |                                     |
| 1   | 4YA4025-1401G2      | Print Head   | 1    | 9                        |                                     |
| 2   | 4PA4053-2270G1      | Platen Assy  | 1    | 3                        |                                     |
| 3   | 3PB4053-1982P1      | LF Pulse Motor                                       | 1    | 5                        |                                     |
| 4   | 4PP4053-2258P1      | Space Rack   | 1    | 5                        |                                     |
| 5   | 4YA4053-3211G101    | SHPQ-PCB<br>(Control board)                          | 1    | 3                        | PGROM excluded<br>(for maintenance) |
| 6   | 4YA4053-2291G2      | SHPO-2-PCB<br>(Operator panel)                       | 1    | 3                        |                                     |
| 7   | 4YA4053-2289G1      | SHPT-PCB<br>(Sensor board)                           | 1    | 3                        |                                     |
| 8   | 1PP4053-2015P1      | Circuit Plate  |      | 1                        |                                     |
| 9   | 4PA4025-2636G1      | Tractor Assy (R)                                     | 1    | 3                        |                                     |
| 10  | 4PA4025-2642G1      | Tractor Assy (L)                                     | 1    | 3                        |                                     |
| 11  | 4YX4053-2148G1      | Micro Switch Assy                                    | 1    | 3                        |                                     |
| 12  | 4YS4011-4367P2      | Connector Cord<br>(SHPQ-PCB-Operation Panel)         | 1    | 1                        |                                     |
| 13  | 4YX4053-2749G1      | Connector Cord Assy<br>(SHPQ-PCB-Power Supply board) | 1    | 1                        |                                     |
| 14  | 4YS4011-4366P1      | Connector Cord<br>(SHPQ-PCB-SHPT PCB)                | 1    | 1                        | Sensor Cable                        |
| 15  | 4PP4053-2206P1      | Eccentric Collar                                     | 1    | 3                        |                                     |
| 16  | 4PP4053-2204P1      | Adjustment bushing (L)                               | 1    | 3                        |                                     |
| 17  | 4PP4053-2205P1      | Adjustment bushing (R)                               | 1    | 3                        |                                     |
| 18  | 3PP4053-2014P2      | Adjustment lever                                     | 1    | 3                        |                                     |
| 19  | 4PP4053-2208P1      | Change arm C   | 1    | 3                        |                                     |
| 20  | 3PP4053-1397P4      | Change lever   | 1    | 3                        |                                     |
| 21  | 4PP4053-1978P1      | Change arm B   | 1    | 3                        |                                     |
| 22  | 3PA4053-2260G1      | Stage Assembly                                       | 1    | 3                        | OUK only                            |
| 23  | 4PP4053-1410P1      | Stage lock stay                                      | 1    | 3                        |                                     |
| 24  | 3PP4025-2871P1      | Platen knob  | 1    | 5                        |                                     |
| 25  | 4PA4053-1972G1      | Platen Gear Assy                                     | 1    | 3                        |                                     |
| 26  | 3PB4053-1873P1      | Feed Roller Shaft                                    | 4    | 3                        |                                     |
| 27  | 3PP4053-1374G1      | Stacker Shaft  | 1    | 3                        |                                     |
| 28  | 4PP4053-1330P1      | LF bushing   | 6    | 3                        |                                     |
| 29  | 4PP4053-1321P1      | LF knob gear   | 4    | 3                        |                                     |
| 30  | 4PP4053-1331P1      | LF gear  | 2    | 3                        |                                     |
| 31  | 4PP4044-2813P1      | Stacker gear L                                       | 1    | 3                        |                                     |
| 32  | 4PP4053-1981P1      | Change gear  | 1    | 3                        |                                     |
| 33  | 4PP4053-1980P1      | Idle gear A  | 2    | 3                        |                                     |
| 34  | 4PP4053-2197P1      | Idle gear B  | 2    | 3                        |                                     |
| 35  | 4PP4053-2473G1      | Hitting of Sensor Arm A                              | 1    | 3                        |                                     |
| 36  | 4PP4053-2474G1      | Hitting of Sensor Arm B                              | 1    | 3                        |                                     |

Spare parts list (2/3)

| No. | Item No.        | Item name                           | Q'ty | Q'ty of spare parts/year | Remarks                        |
|-----|-----------------|-------------------------------------|------|--------------------------|--------------------------------|
|     |                 |                                     |      | 500                      |                                |
| 37  |                 |                                     |      |                          |                                |
| 38  | 4PP4025-2643P1  | Sheet Guide                         | 1    | 3                        |                                |
|     | (Cover Parts)   |                                     |      |                          |                                |
| 39  | 3PA4053-2417G1  | Lower Cover                         | 1    | 3                        |                                |
| 40  | 2PP4053-2006G1  | Upper Cover                         | 1    | 3                        |                                |
| 41  | 3PP4053-2007G25 | Access Cover                        | 1    | 3                        | OUK only                       |
| 42  | 4PP4053-1445P7  | Gear Cover                          | 1    | 3                        |                                |
| 43  | 3PA4053-2056G1  | Sheet Stacker                       | 1    | 3                        |                                |
|     | (Carriage Unit) |                                     |      |                          |                                |
| 44  | 2PU4007-1236P1  | Head Cable                          | 1    | 10                       |                                |
| 45  | 4PA4025-2955G2  | Ribbon Feed Gear Assy               | 1    | 3                        |                                |
| 46  | 3PB4025-1116P1  | Connector<br>(Head Connect)         | 1    | 3                        |                                |
| 47  | 4PP4053-1315P1  | Guide Roller                        | 2    | 5                        |                                |
| 48  | 4YX4025-1800G3  | Space Motor Assy                    | 1    | 5                        |                                |
| 49  | 4PP4025-1048P1  | Head Clamps                         | 1    | 3                        |                                |
| 50  | 4PP4053-2000G1  | Carriage Frame Assy                 | 1    | 3                        |                                |
| 51  | 4PP4025-2960P1  | Contact Pressure Rubber             | 1    | 3                        |                                |
| 52  | 3YS4011-1272P1  | AC Cable                            | 1    | 1                        | 230V (Continental)<br>OUK only |
|     | 3YS4011-1273P1  | AC Cable                            | 1    | 1                        | 240V (U.K.)<br>OUK only        |
| 53  | 4YB4049-7009P3  | Transformer                         | 1    | 3                        | OUK only                       |
| 54  | 4YB4049-7011P1  | Filter Assembly                     | 1    | 3                        | OUK only                       |
| 55  | 4YB4049-7012P1  | Power Supply Board                  | 1    | 3                        | OUK only                       |
| 56  | 4YB4049-7013P1  | Fuse (Primary Side)<br>(250V, 1A)   | 1    |                          | OUK only                       |
| 57  | 4YB4049-7015P1  | Fuse (Secondary Side)<br>(250V, 2A) | 1    |                          | OUK only                       |
| 58  | 4PP4053-2021P1  | Circuit Plate (B)                   | 1    | 1                        |                                |
| 59  | 4PP4053-2155P1  | Bracket (A)                         | 1    | 1                        |                                |
| 60  | 2PP4053-2051P3  | Card Cover                          | 1    | 3                        |                                |
| 61  | 4PP4053-1979P1  | Change Lever Shaft                  | 1    | 3                        |                                |
| 62  | 4PB4053-3040P1  | Lock Shaft                          | 1    | 3                        |                                |
| 63  | 4PP4053-1390P2  | Tractor Shaft                       | 1    | 3                        |                                |
| 64  | 4PP4053-1383P1  | Guide Plate                         | 3    | 3                        |                                |
| 65  | 4PB4053-2201P1  | Carriage Shaft                      | 1    | 3                        |                                |
| 66  | 4PP4044-1304P1  | Guide Bush                          | 2    | 3                        |                                |
| 67  | 4PP4044-1550P1  | Driven Gear                         | 1    | 3                        |                                |

Spare parts list (3/3)

| No. | Item No.       | Item name            | Q'ty | Q'ty of spare parts/year | Remarks  |
|-----|----------------|----------------------|------|--------------------------|----------|
|     |                |                      |      | 500                      |          |
| 68  | 4PP4053-2273P1 | Cable Guide          | 1    | 1                        |          |
| 69  | 4LM-7261-67    | Polyurethane Foam    | 1    | 3                        |          |
| 70  | 4PP4053-2336G1 | Friction Spring      | 1    | 3                        |          |
| 71  | 4PP4053-2195G1 | Epicyclic Bracket    | 1    | 1                        |          |
| 72  | 4PP4053-1983P1 | Feed Roller Spring B | 1    | 3                        |          |
| 73  | 4PP4053-1976P1 | Feed Roller Spring A | 1    | 3                        |          |
| 74  | 4PP4053-1971P1 | Platen Collar        | 1    | 3                        |          |
| 75  | 4PP4053-2023P1 | Feed Roller Spring C | 1    | 3                        |          |
| 76  | 4PB4053-2296P1 | Guard                | 1    | 3                        |          |
| 77  | 4PP4053-1977P1 | Change Arm A         | 1    | 3                        |          |
| 78  | 4PP4053-1361G1 | Guide Roller Plate   | 1    | 3                        |          |
| 79  | 4PB4025-1106P1 | Tension Spring       | 1    | 3                        |          |
| 80  | 2PP4053-3188P1 | I/F Bracket          | 1    | 3                        | OUK only |
| 81  | 4PP4053-3187P1 | FG Spring            | 1    | 3                        | OUK only |

www.drukparts.pl