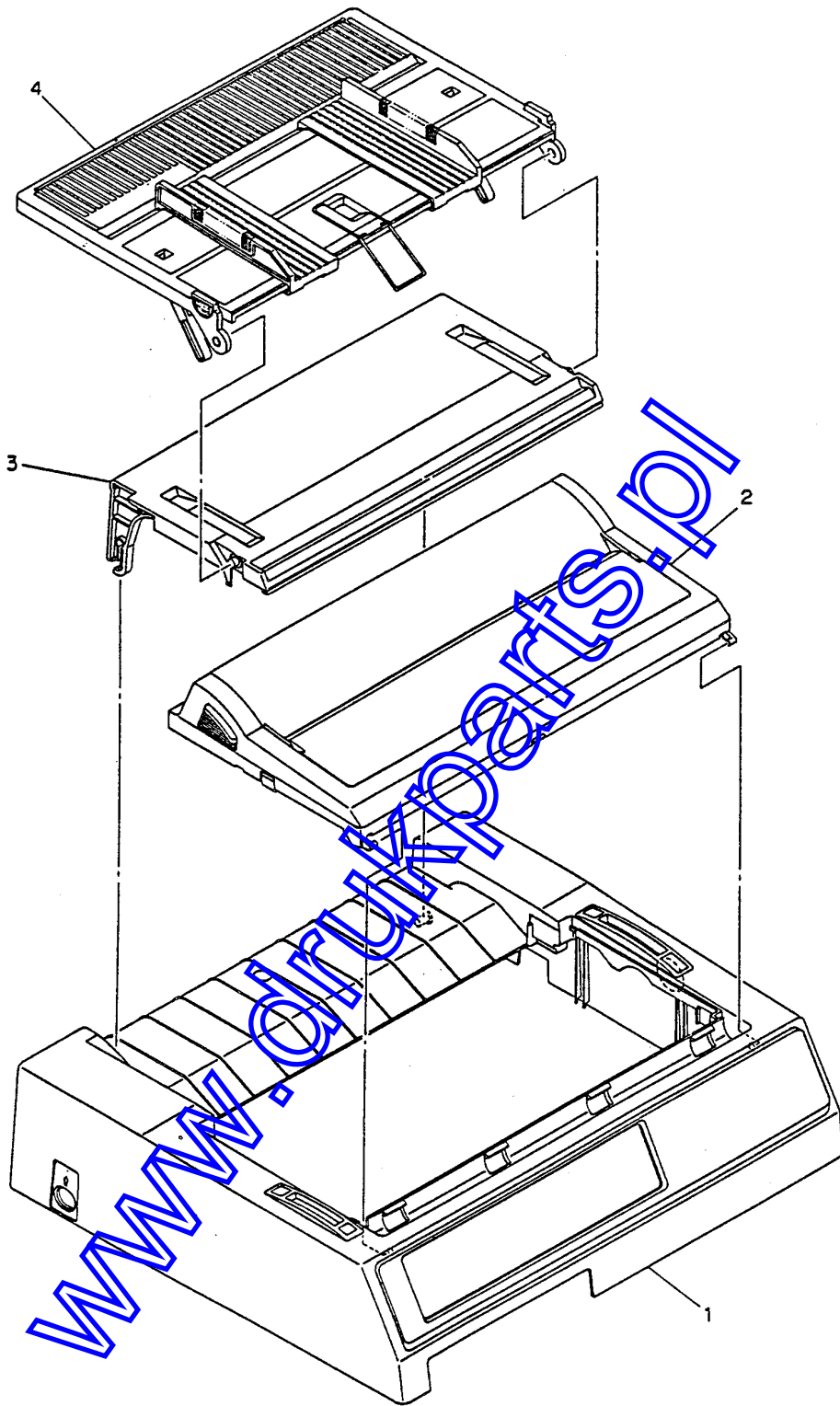


---

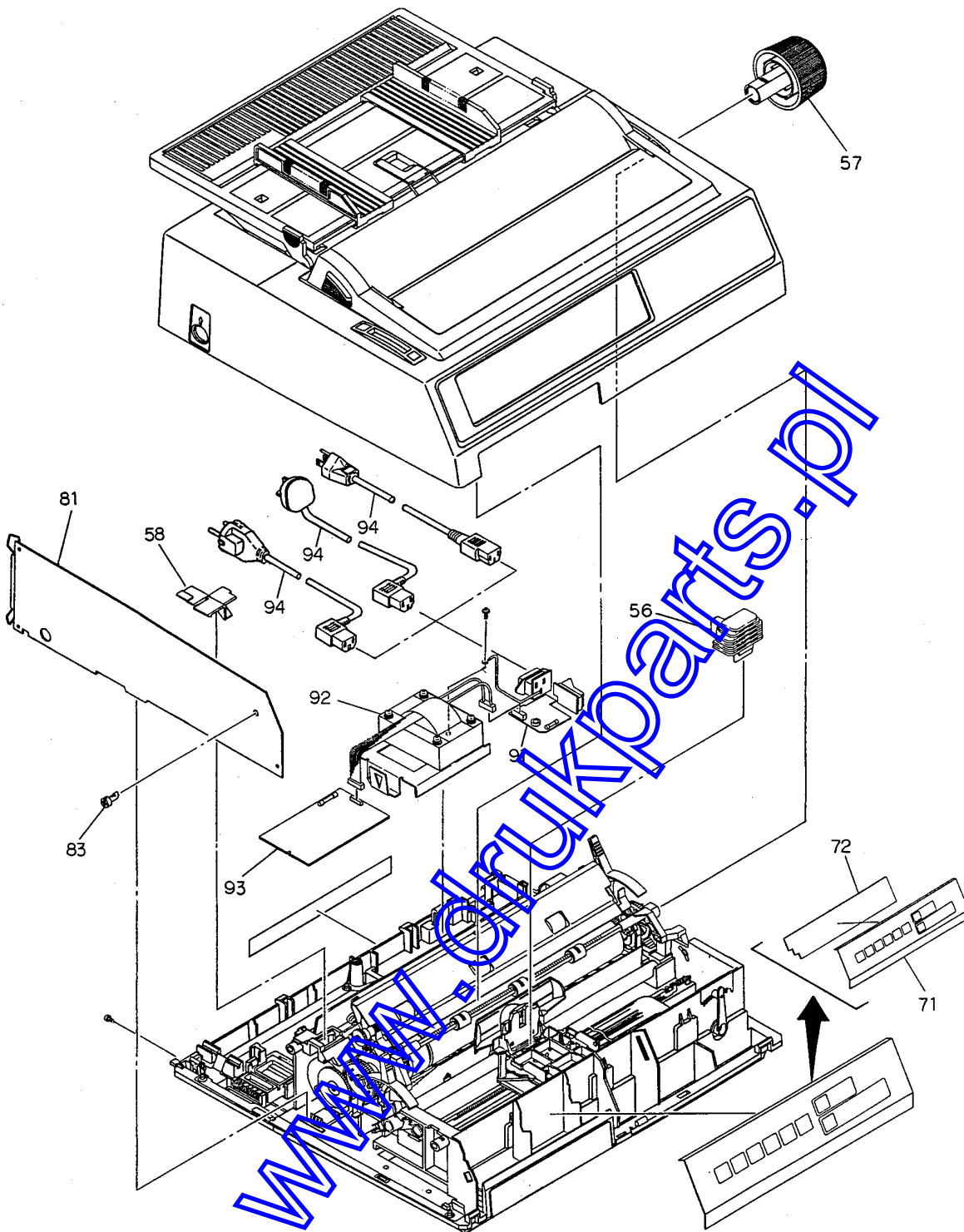
**OKI MICROLINE ML320/321**

**MAINTENANCE MANUAL**

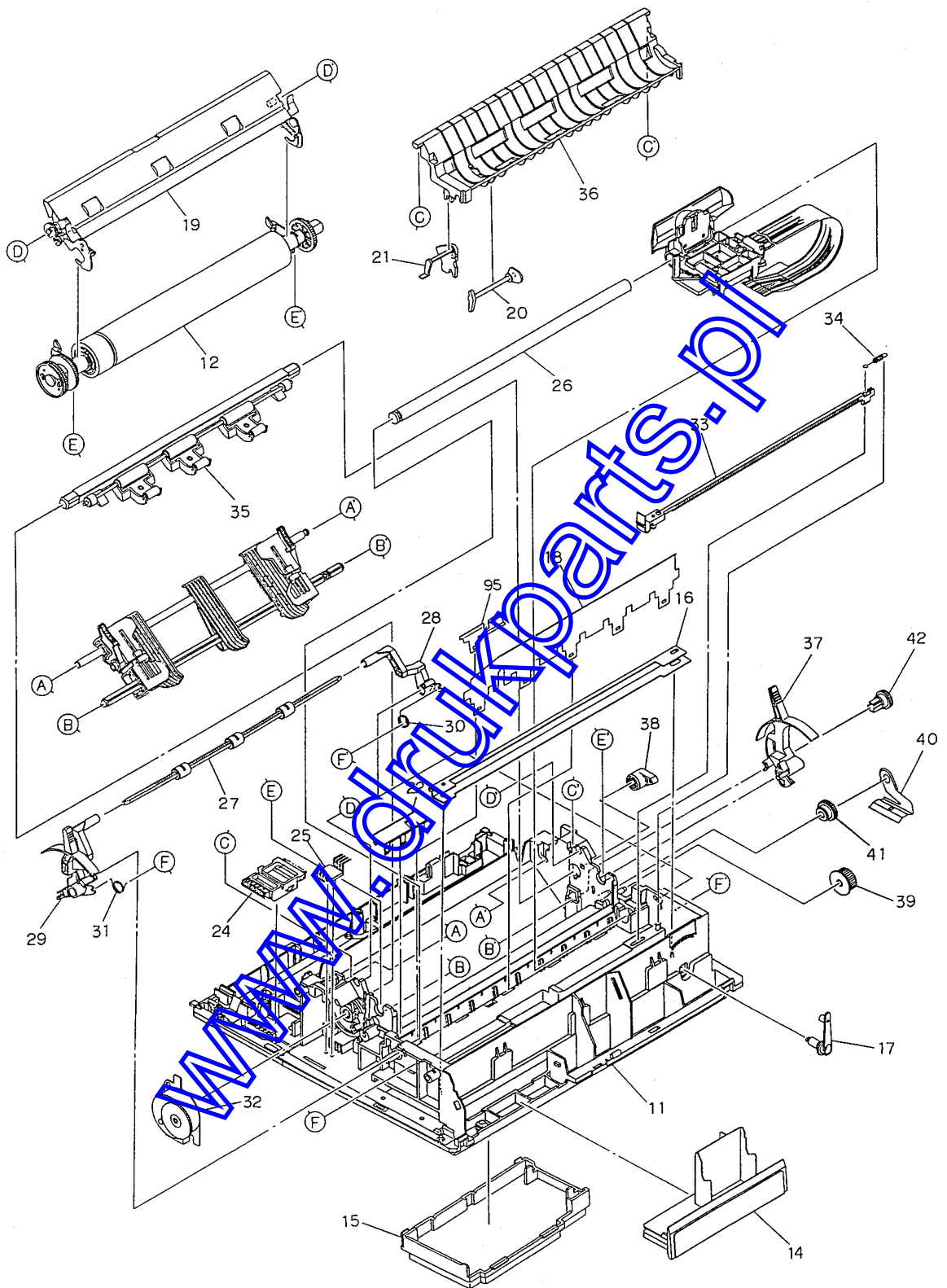
[www.drukparts.pl](http://www.drukparts.pl)



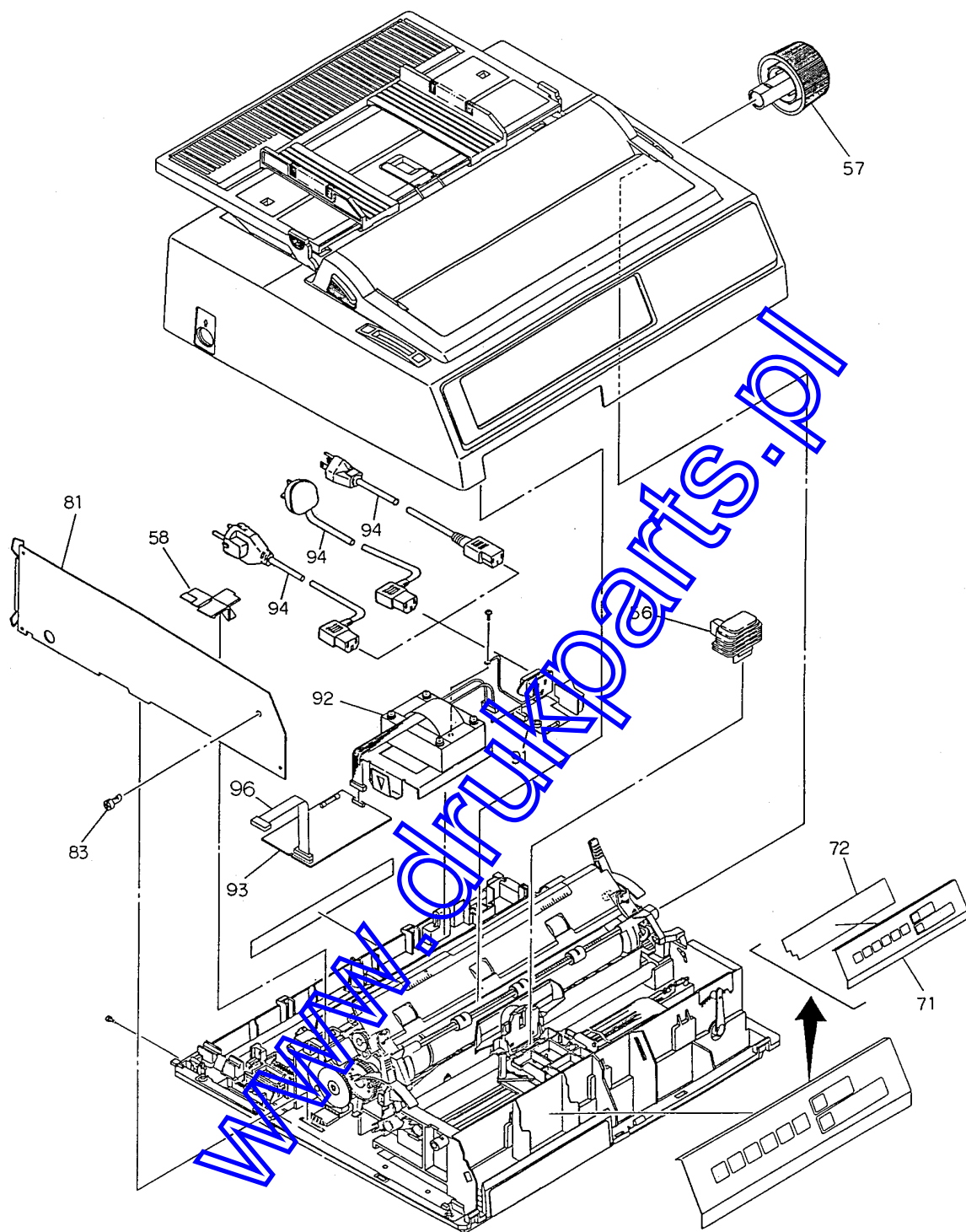
Printer unit (1/5)



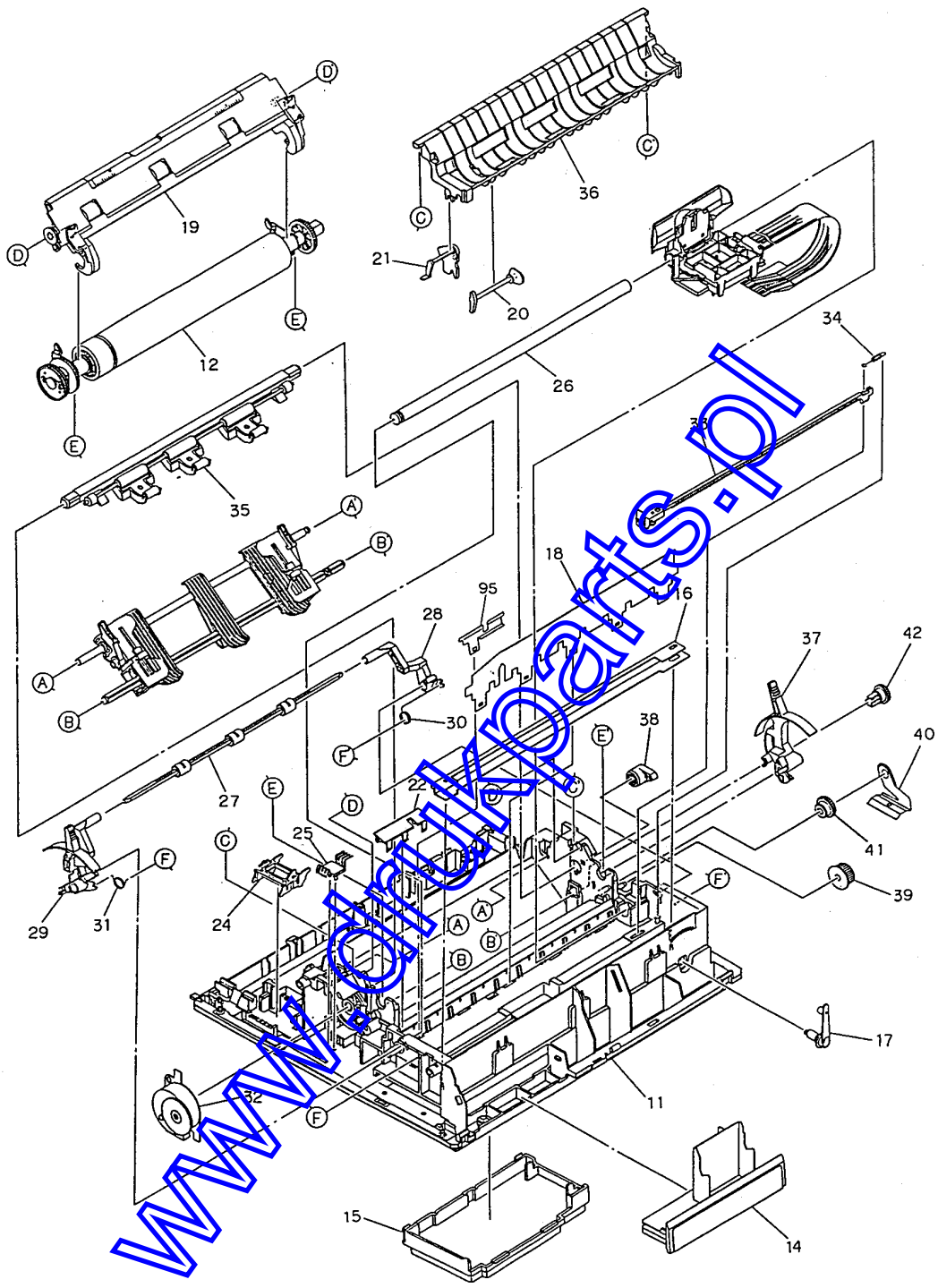
Printer unit (2/5)



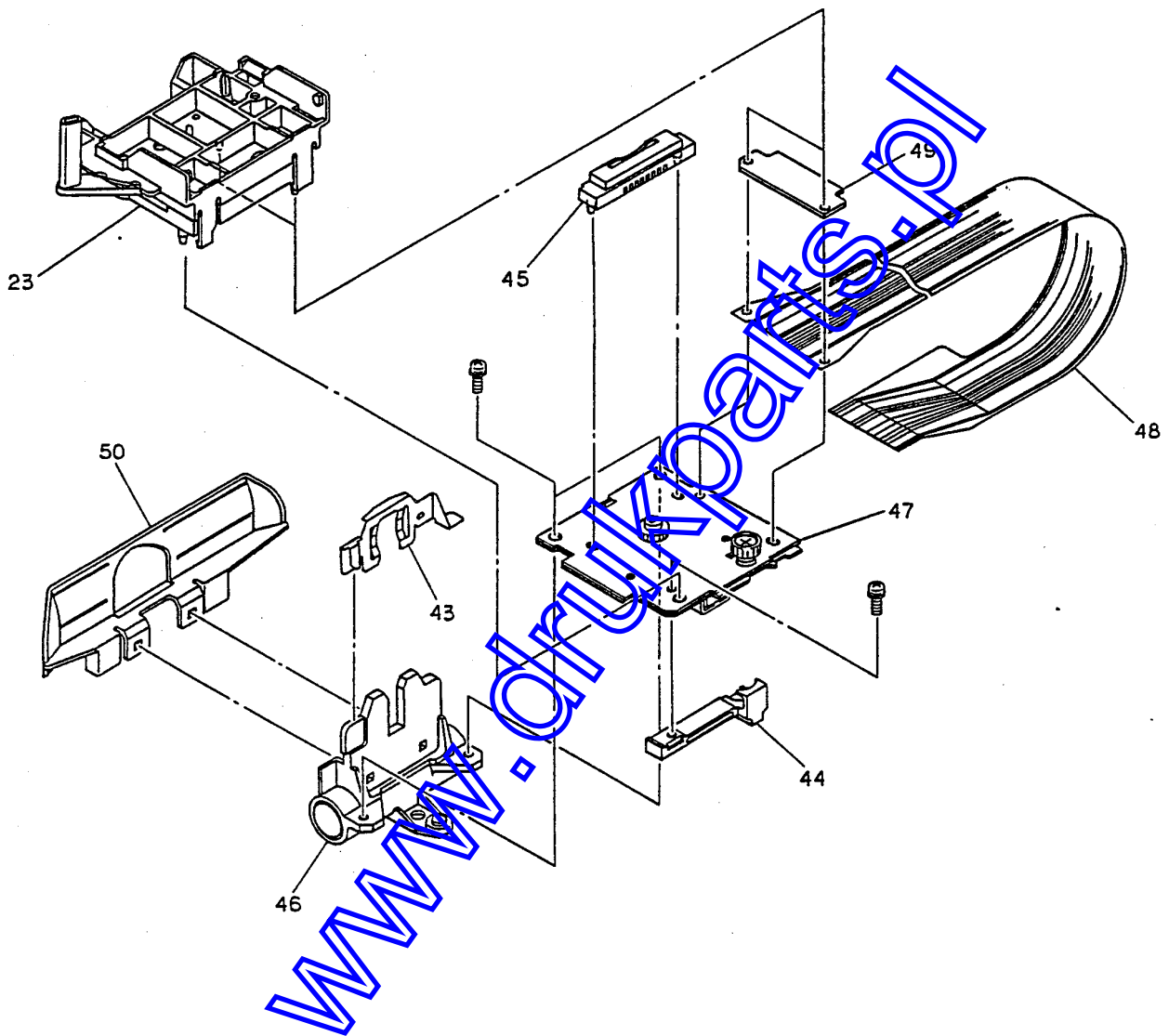
Printer unit (3/5)



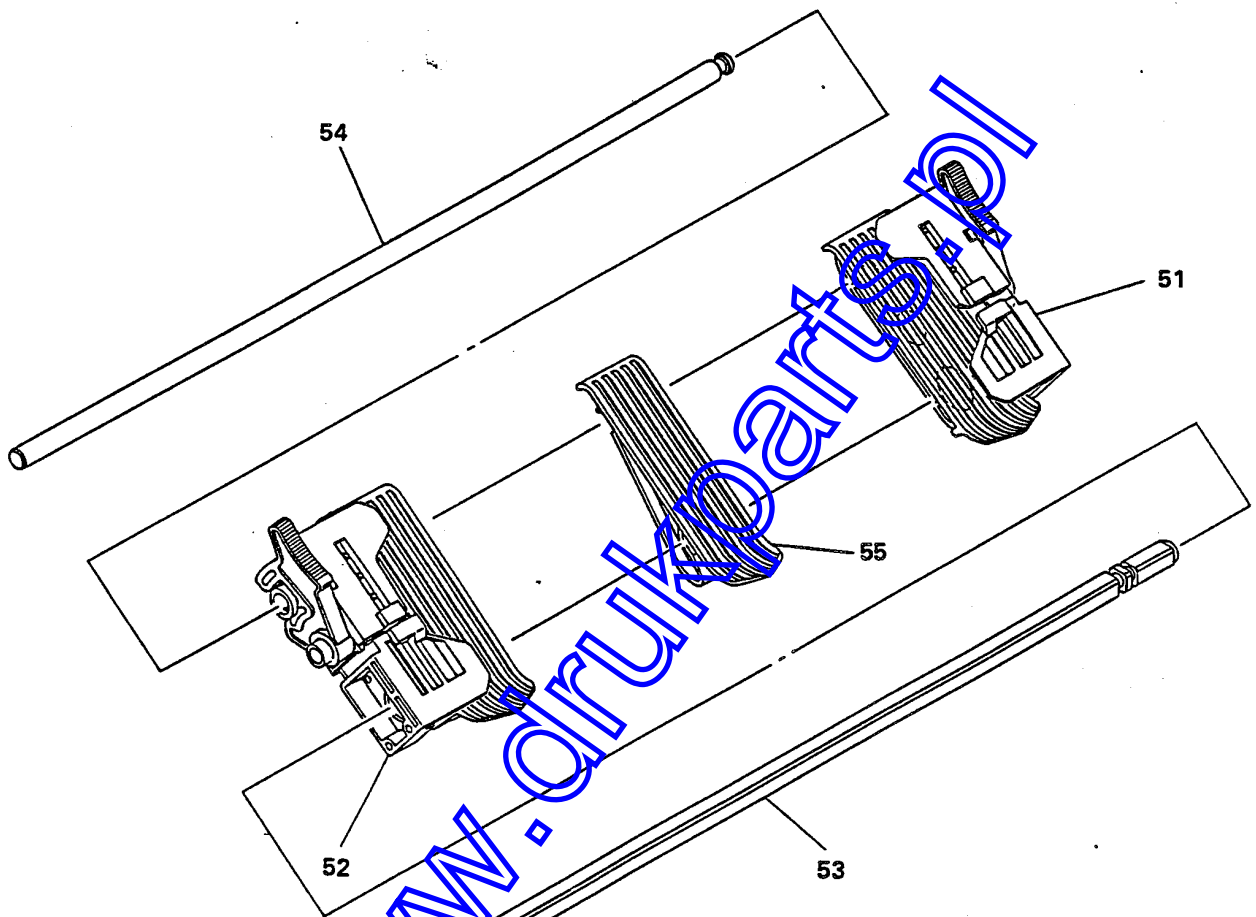
Printer unit (2/5)



Printer unit (3/5)

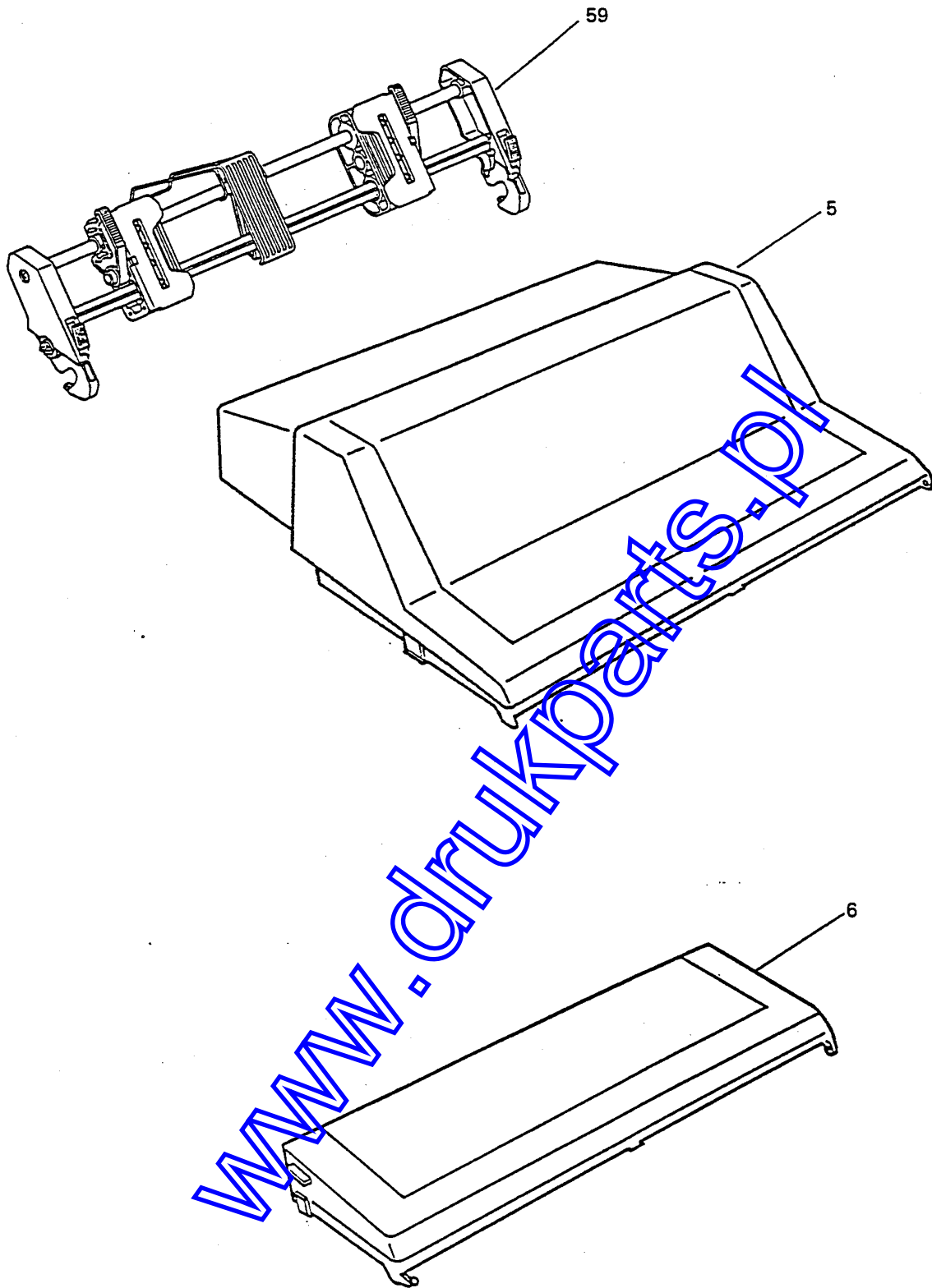


Printer unit (4/5)

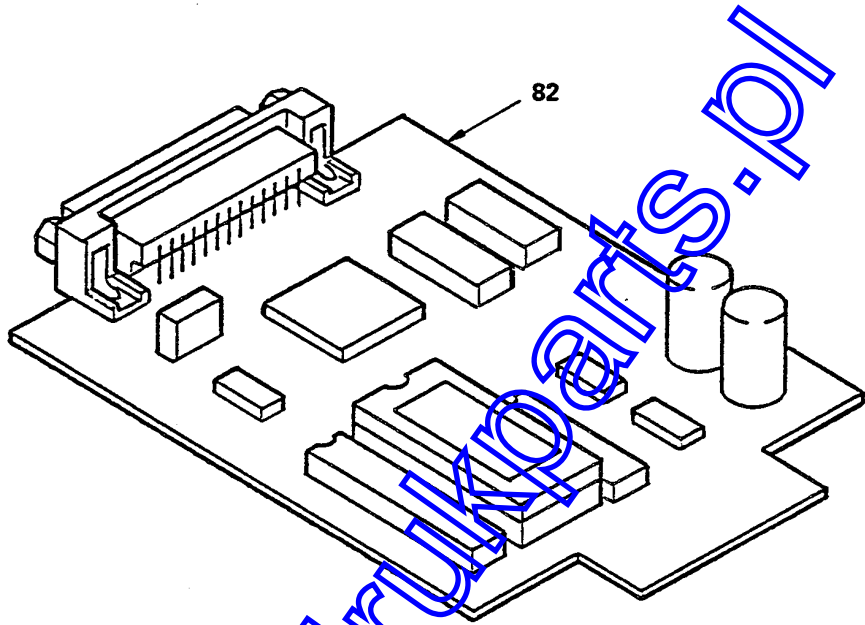


Printer unit (5/5)





Option parts (1/2)



Option parts (2/2)

## Spare parts list (1/5)

No.	Item No.	Item name	Q'ty	Q'ty of spare parts/year	Remarks/ODA P/N
				500	
	(Cover parts)				
1	1PP4016-6557P2	Middle cover	1	3	320 (ODA) 53488302
	1PP4016-6558P2	Middle cover	1	3	321 (ODA) 53488402
	1PP4016-6557P5	Middle cover	1	3	320 (ODG)
	1PP4016-6558P5	Middle cover	1	3	321 (ODG)
2	2PA4016-6559G1	Access cover assembly	1	3	320 50060701
	2PA4016-6560G1	Access cover assembly	1	3	321 50060801
3	1PP4016-6567P1	Rear cover frame	1	3	320 53488501
	1PP4016-6568P1	Rear cover frame	1	3	321 53488601
4	1PA4016-6569G1	Sheet separator assembly	1	3	320 50060901
	1PA4016-6570G1	Sheet separator assembly	1	3	321 50061001
5	2PP4016-6865G1	Acoustic cover (Tractor)	1	3	320 option 53493201
	2PP4016-6866G1	Acoustic cover (Tractor)	1	3	321 option 53494201
6	2PP4016-6867G1	Acoustic cover (CSF)	1	3	320 option 53494301
	2PP4016-6868G1	Acoustic cover (CSF)	1	3	321 option 53494401
	(Printer mechanism)				
11	3PA4025-2802G1	Main frame assembly	1	3	320 50061101
	3PA4025-2902G1	Main frame assembly	1	3	321 50061201
12	3PA4025-2811G1	Platen assembly	1	3	320 50061301
	3PA4025-2811G2	Platen assembly	1	3	321 50061302
13					
14	2PP4025-2952P1	Support panel A	1	1	53494901
15	3PA4025-2806G1	Board supporting cover assembly	1	3	50062301
16	3PP4025-2809P1	Guide rail	1	1	320 51002101
	3PP4025-2809P2	Guide rail	1	1	321 51002102
17	4PP4025-2810P1	Adjusting cam	1	3	51216201

## Spare parts list (2/5)

No.	Item No.	Item name	Q'ty	Q'ty of spare parts/year		Remarks/ODA P/N
				500		
18	3PP4025-2819P1	Leaf spring	1	3	320	50911501
	3PP4025-2905P1	Leaf spring	1	3	321	50911601
19	2PA4025-2925G1	Ruler guide	1	3	320	53488701
	2PA4025-2926G1	Ruler guide	1	3	321	53488801
20	3PP4025-2825P1	Paper end lever (B)	1	3	320	53488901
	3PP4025-2825P2	Paper end lever (B)	1	3	321	53488902
21	3PP4025-2826P1	Sensor lever	1	3		53489001
22	3PP4025-2827P1	Sensor cover	1	3		53489101
23	4PA4025-2955G1	Ribbon drive gear assembly	1	3		50063701
24	3PB4025-2911P1	Power contact	1	3		53328301
25	3PP4025-2874P1	LF motor inter-connect module		3		53328401
26	4PP4025-2837P1	Carriage shaft	1	3	320	51109401
	4PP4025-2837P2	Carriage shaft	1	3	321	51109402
27	4PA4025-2838G1	Indicator assembly	1	3	320	50061501
	4PA4025-2838G2	Indicator assembly	1	3	321	50061502
28	2PP4025-2840P1	Bail arm (R)	1	3		53489201
29	3PP4025-2841P1	Bail arm (L)	1	3		53489301
30	4PB4025-2842P1	Bail arm spring (R)	1	5		50911701
31	4PB4025-2843P1	Bail arm spring (L)	1	5		50911801
32	3PB4025-2844P1	LF motor	1	5		56507001
33	3PP4025-2845P1	Space rack	1	5	320	53489401
	3PP4025-2845P2	Space rack	1	5	321	53489402
34	4PB4025-2873P1	Tension spring	1	3		50911901
35	3PA4025-2846G1	Pressure roller assembly	1	3	320	50061601
	3PA4025-2908G1	Pressure roller assembly	1	3	321	50061701

## Spare parts list (3/5)

No.	Item No.	Item name	Q'ty	Q'ty of spare parts/year	Remarks/ODA P/N	
				500		
36	3PA4025-2853G1	Paper chute assembly	1	3	320	50061801
	3PA4025-2915G1	Paper chute assembly	1	3	321	50061901
37	3PP4025-2852P1	Release lever	1	3		53489501
38	4PP4025-2881P1	Release link	1	3		53489601
39	4PP4025-2866P1	Change gear	1	3		51215901
40	4PP4025-2867P1	Reset spring	1	3		50912001
41	4PP4025-2868P1	Idler gear	1	3		51216001
42	4PP4025-2869P1	Tractor gear	1	3		51216101
43	4PP4025-1048P1	Head clamp	1	3		50702901
44	4PB4025-1088P1	Slider	1	5		51001801
45	3PB4025-1116P1	Connector	1	3		56718601
46	4PB4025-2829G1	Carriage frame set		3		53490401
47	4YX4025-1800G2	Space motor assembly		5		56507202
48	2PU4007-1096P1	Flexible cable	1	10	320	56616301
	2PU4007-1096P2	Flexible cable	1	10	321	56616302
49	4PP4025-2960P1	Contact pressure rubber	1	3		51706501
50	3PP4025-2836P1	Ribbon protector	1	5		53056201
51	4PA4025-2855G1	Tractor frame assembly (L)	1	3		50062001
52	4PA4025-2861G1	Tractor frame assembly (L)	1	3		50062101
53	4PP4025-2864P1	Drive shaft	1	1	320	51109501
	4PP4025-2864P2	Drive shaft	1	1	321	51109502
54	4PP4025-2831P1	Lock shaft	1	1	320	51109601
	4PP4025-2831P2	Lock shaft	1	1	321	51109602
55	3PP4025-2927P1	Sheet guide	1	3		51002201

## Spare parts list (4/5)

No.	Item No.	Item name	Q'ty	Q'ty of spare parts/year	Remarks/ODA P/N
				500	
56	4YA4025-1401G2	Printhead	1	9	50063802
57	3PP4025-2871P1	Platen knob	1	5	51901101
58	3PA4025-2896P1	Board lock	1	3	
59	3PA4025-2971G1	Tractor unit (N)	1	3	320 option
	3PA4025-2971G2	Tractor unit (W)	1	3	321 option
	(Operator panel)				
71	3PP4025-3114G3	Operator panel	1	3	53490101
72	4YA4021-1048G2	LXSP-2 printed circuit board	1		55038602
	(Printed circuit board)				
81	4YA4021-1051G106	LXMC-printed circuit board	1	3	ODA, 55041411 320/321 For maintenance (without ROMS)
	4YA4021-1051G204	LXMC-printed circuit board	1	3	ODG, 320/321 For maintenance (without ROMS, 28 pins IC socket)
	4YA4021-1051G205	LXMC-printed circuit board	1	3	ODG, 320/321 (without ROMS, 32 pins IC socket)
82	4YA4021-1050G002	LXHI-printed circuit board (RS-22C)	1	3	Option 55038901 (ODA)
	4YA4021-1050G003	LXHI-printed circuit board (RS-232C)	1	3	Option (ODG)
83	4PP4025-2870P1	Lock post	1	3	

Spare parts list (5/5)

(For PCB version No. 8 and after)

No.	Item No.	Item name	Q'ty	Q'ty of spare parts/year		Remarks/ODA P/N
					500	
	(Power supply assembly)					
91	4YX4056-3477G3	Filter assembly	1	3	120V	55503103
	4YX4056-3477G4	Filter assembly	1	3	220/240V	55503104
92	4YB4056-8293P1	Transformer	1	3	320-120V	56407501
	4YB4056-8349P1	Transformer	1	3	320-120V	56407401
	4YB4056-8293P2	Transformer	1	3	320-120V	56407502
	4YB4056-8349P2	Transformer	1	3	320-120V 220/240V	56407402
93	3YU5057-3311G2	SUIII-2 printed circuit board	1	3	320/321 only	
	3YU5057-3311G6	SUIII-6 printed circuit board	1	3	320/321 220/240V only	
94	3YS4011-1026P1	AC cable	1	1	120V	56609701
	3YS4011-1052P1	AC cable	1	1	220V	56610801
	3YS4011-1192P1	AC cable	1	1	240V	Continental 56615301
	3YS4011-1103P1	AC cable	1	1	240V	British Oceanian
95	3PP4025-3161P1	Support spring	1	3	321	
96	4YS4011-4311P2	(Connector cord)	1	1		
91'	4YB4049-1457P4	Filter board	1	3	220/240V	} Only Europe (OKI-UK)
92'	4YB4049-1462P1	Transformer	1	3	320-220/240V	
	4YB4049-1462P2	Transformer	1	3	321-220/240V	
93'	4YB4049-1458P3	DC PSU board without connector	1	3	320/321	
	4YB4049-1458P7	DC PSU board with connector	1	3	320/321	
94'	3YS4011-1172P1	AC cable	1	1	220V	
	3YS4011-1173P1	AC cable	1	1	Continental 240V British	