

ML 280

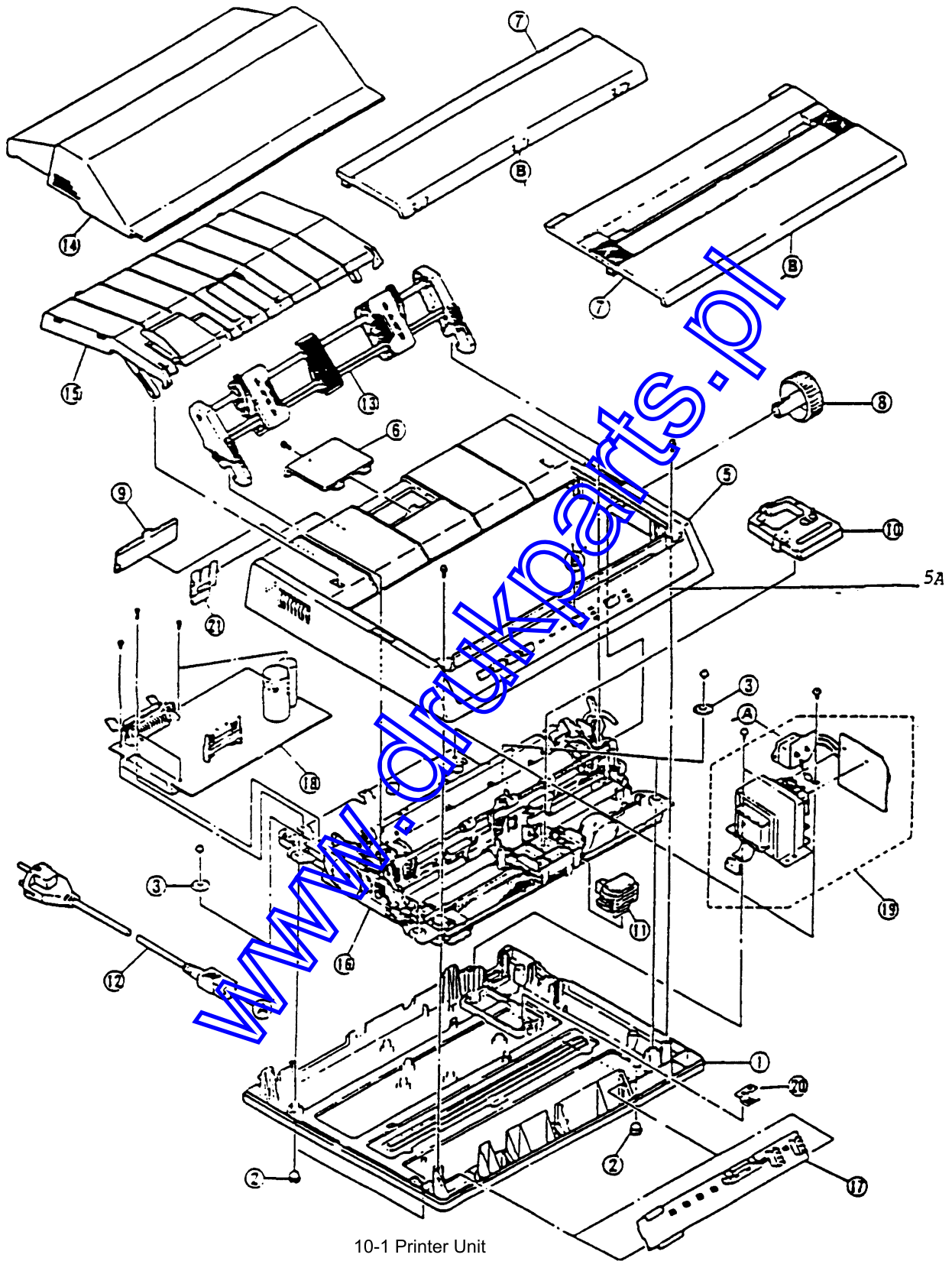
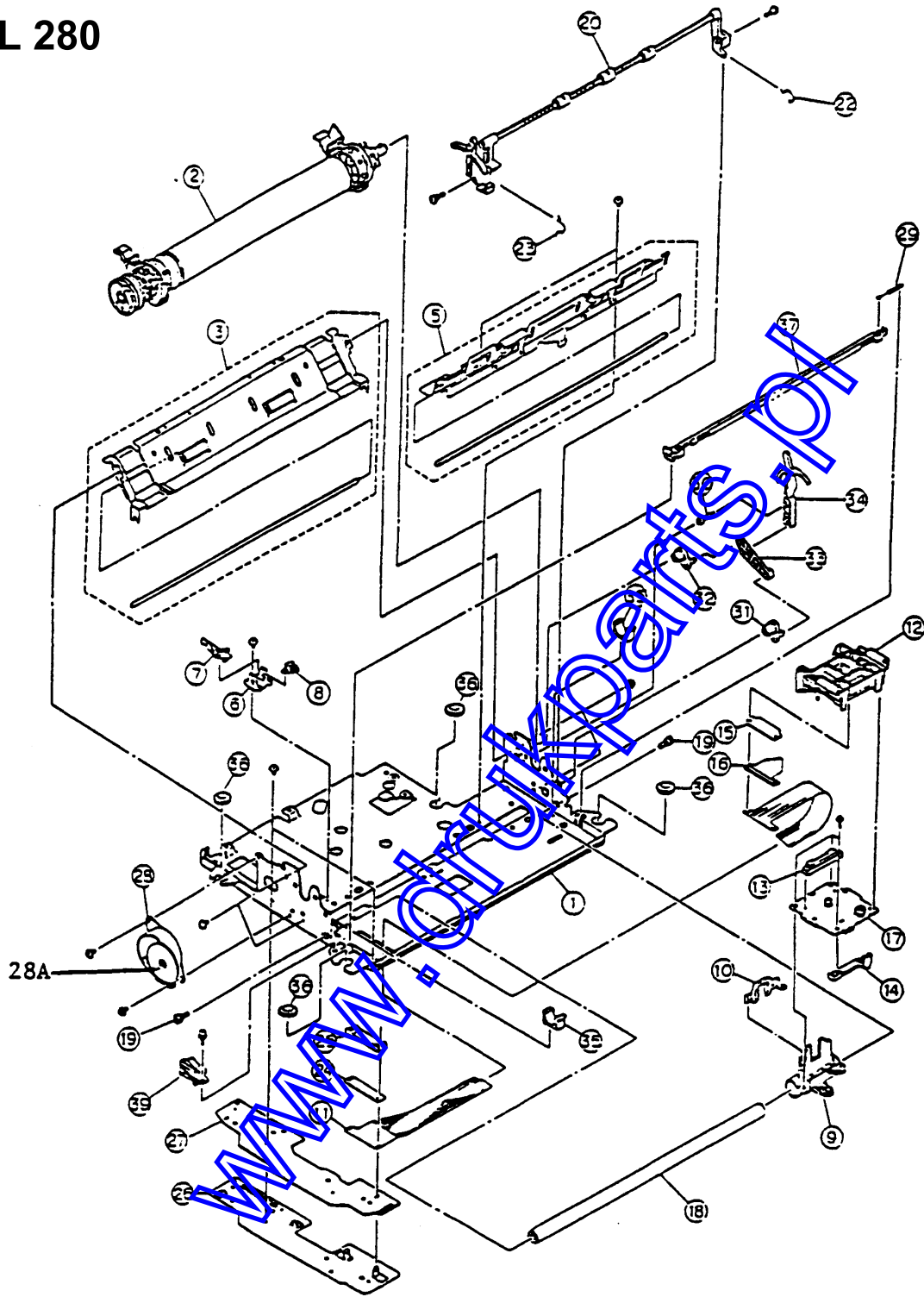


Table 10-1. Printer Unit

No.	Part No.	Description	ODA Part No.	Qty	Remarks
1	2PB4017-3037P4	lower cover	53506204	1	
2	4P134025-1137P1	Rubber foot	53452701	4	
3	4PP4025-1152P1	Washer	50512101	4	
5	3PP4050-2174G3	Upper cover	53506303	1	
6	4PB4025-1123P10	DIP switch access cover	53447310	1	
7	3PA4017-3044P10	Access cover	53467410	1	
7	2PB4017-3048P7	Access cover (tractor)		1	Option
8	3PB4043-2156P7	Platen knob	53459807	1	
9	4PB4017-3046P9	Connector cover	53469209	1	
11	4YA4025-1401G2	Print head		1	
12	3YS4011-1265P1	AC cord			1220/240V
13	3PA4025-2633G1	Pin tractor assembly			1Option
14	2PB4025-1130P1	Acoustic cover	53450001		1Option
15	2PA4017-3378G4	Paper separator	53459303	1	
16	3YX4025-1010G4	Printer mechanism		1	
17	4YA4050-2155G1	SLSX printed-circuit board	55035601	1	
18	4YA4050-2881G3	INDU printed-circuit board (with EPROM)	N/A		1(IBM)
18	4YA4050-2881G11	INDU printed-circuit board (for maintenance, without ROM)	N/A		1
19	3YX4021-1032G1	AC transformer assembly	55029501		1220/240 V
20	4PP4017-3038P1	Earth spring	50922701	1	
21	4PP4016-5904P4	Connector cover	53469209	1	

ML 280

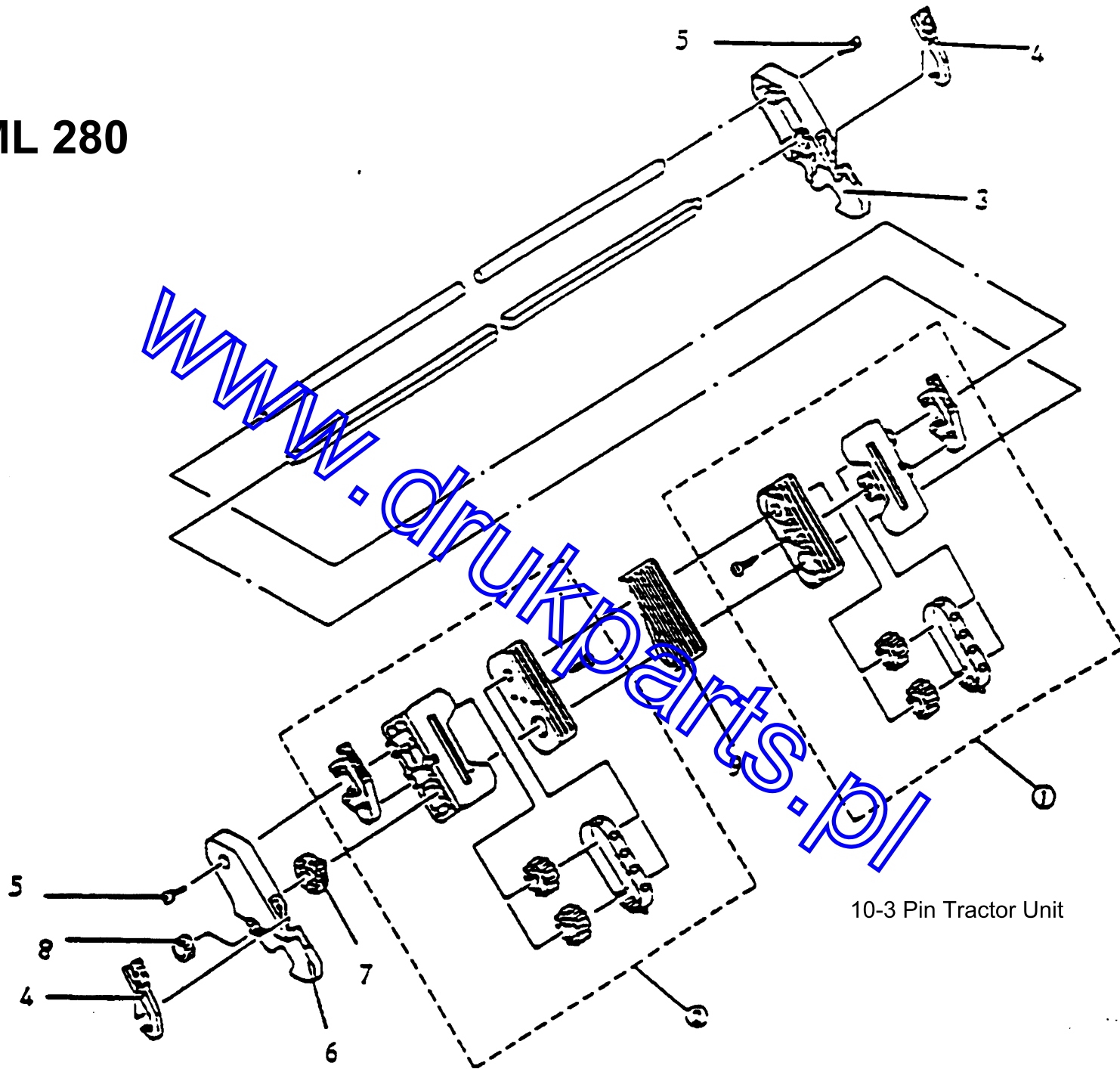


10-2 Printer Mechanism

Table 10-2. Printer Mechanism

No.	Part No.	Description	ODA Part No.	Q'ty	Remarks
1	1PP4025-1011P1	Base frame	53322301	1	
2	4PA4025-1012G1	Platen assembly	50210801	1	
3	3PA4025-1027G1	Paper chute assembly Bottom paper guide	50039101	1	
5	3PA4025-1032G1	assembly	50211401	1	
6	4PP4025-1038P1	Near-end bracket	53050601	1	
7	4PB4025-1039P1	Near-end lever	53050701	1	
8	4PB4025-1040P1	Bottom near-end lever	53051701	1	
9	4PP4025-1118G1	Carriage roller	53322501	1	
10	4PP4025-1048P1	Head clamp	50702901	1	
11	2PU4007-1065P1	Carriage cable	56613701	1	
12	4PA4025-1075G1	Ribbon feed gear assembly	50036501	1	
13	3PB4025-1116P1	Connector	56718601	1	
14	4PB4025-1088P1	Slider	51001401	1	
15	4PP4025-1114P1	Contact pressure rubber	53452001	1	
16	4PP4025-1182P1	Cable clamp	50703101	1	
17	4YX4025-1800G1	Space motor assembly	56404101	1	
18	4PB4025-1089P1	Carriage shaft	51109101	1	
19	4PB4025-1090P1	Main shaft screw	50310001	2	
20	3PA4025-2102G1	Indicator bar assembly	55035301	1	
22	4PB4025-1097P1	Pressure roller spring (R)	50907302	1	
23	4PB4025-1139P1	Pressure roller spring (L)	50907301	1	
24	4PP4025-1099P1	Contact rubber	53452901	1	
25	4PB4025-1100P1	Cord clamp	50702801	1	
26	3PP4025-1103P1	Circuit support		1	
27	2PU4003-5723P1	SLBP printed-circuit board	55017801	1	
28	4PB4025-1105P1	LF motor	56504201	1	
28A	09400307	Gear Kit 100		1	
29	4PB4025-1106P1	Tension spring	50907201	1	
30	4PB4025-1107P1	Release post	50605101	1	
31	4PB4025-1108P1	Release link (front)	51302401	1	
32	4PB4025-1109P1	Release link (rear)	51302501	1	
33	4PB4025-1110P1	Release link	51302601	1	
34	4PB4025-1113P1	Paper lock release lever	53448401	1	
35	4P84025-1115P1	Stopper rubber	53453101	2	
36	4PB4025-1115P1	Grommet	50512201	1	
37	3P84025-1049P1	Space rack	53447401	1	
39	4PA4025-2617G1	Switch assembly	56208401	1	

ML 280



ML 280

Figure 10 –3 Tractor Unit

No	Part Number	Description	Qty
1	4PA4025-2636G1	Pin Tractor Assy (R)	1
2	4PA4025-2642G1	Pin Tractor Assy (L)	1
3	3PB4025-1331P1	Side Frame (R)	1
4	4PA4025-1339G1	Lock Lever	2
5	+P(SW+W)3-6-HHC	Screw	2
6	3PB4025-1333P1	Side Frame (L)	1
7	4PB4025-1337P1	Drive Gear	1
8	4PB4025-1336P1	Idle Gear	1
9	4PP4025-2643P1	Sheet Guide	1

www.drukparts.pl