

ML 182/3

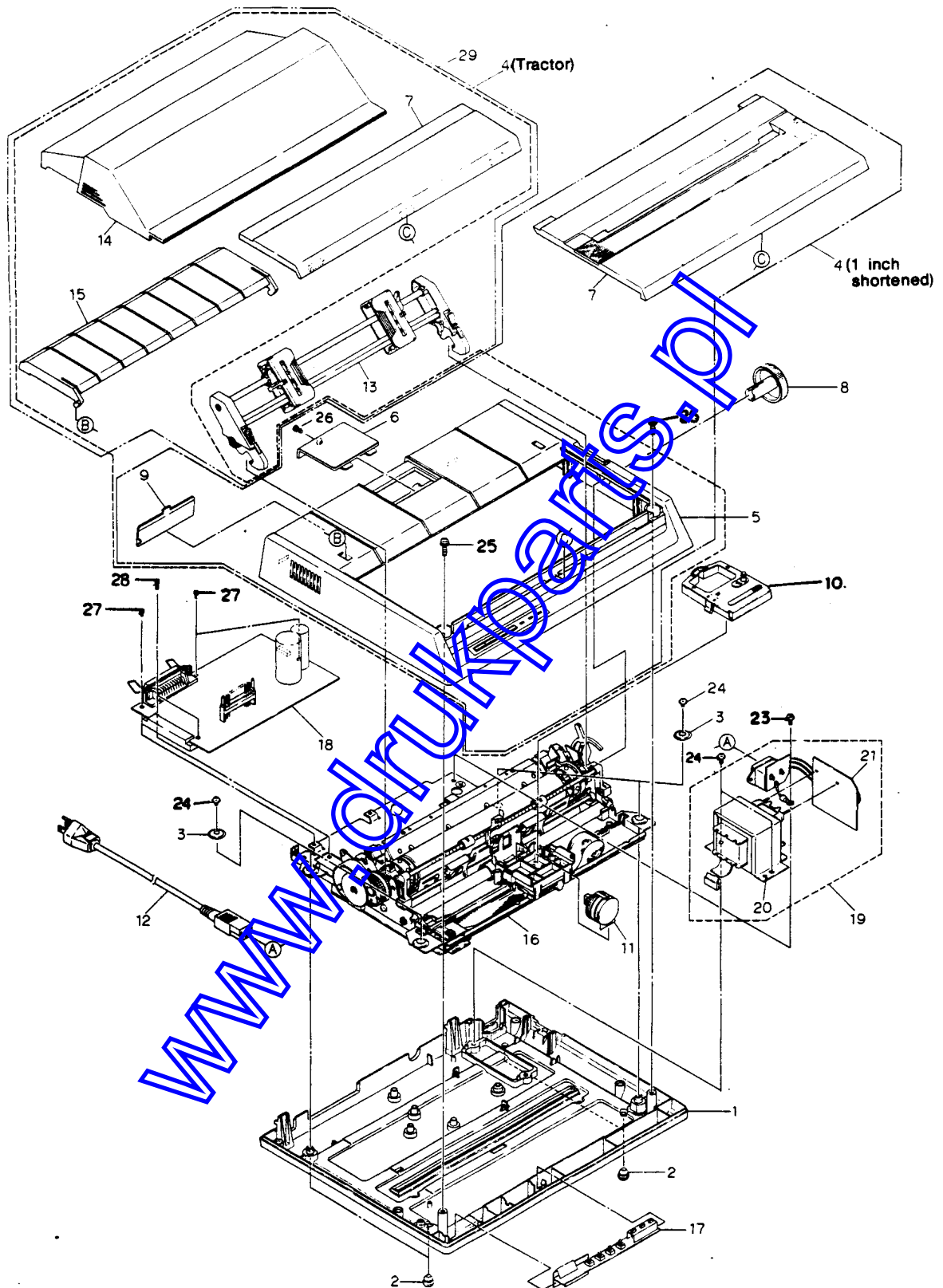


Figure 1 Printer Unit

ML 182/3

Figure 1 Printer Unit

Item No.	Part No.	Description	Qty	Remarks
1	1PB4025-1121PI	Lower cover	1	ML182
1	1PB4025-1221PI	Lower cover	1	ML183
2	4PB4025-1137P1	Rubber foot	4	* (NOTE)
3	4PP4025-1152P1	Washer	4	*
4	3PA4025-1141G1	Upper cover assembly (1 inch shorter)	1	ML182
4	3PA4025-1226G1	Upper cover assembly (tractor)	1	ML183
5	3PP4025-1143G1	Upper cover	1	ML182
5	3PP4025-1227G1	Upper cover	1	ML183
6	4PB4025-1123P1	DIP switch access cover	1	
7	3PA4017-3044G1	Access cover	1	ML182
7	2PB4017-3048P1	Access cover (tractor)	1	ML182 option
7	2PB4017-3056P1	Access cover (tractor)	1	ML183
8	4PB4043-2156P3	Platen knob	1	*
9	4PB4017-3046P1	Connector cover	1	*
11	4YA4025-1401G1	Print head	1	*
12	3Y54011 -1051P1	AC cord	1	240 V
12	3Y54011-1052P1	AC cord	1	220 V
13	3PA4025-2633G1	Pin tractor assembly	1	ML182 option
13'	3PA4025-2633G2	Pin tractor assembly	1	ML183
14	2PB4025-1130P1	Tractor cover	1	ML182 option
14	2PB4025-1130P2	Tractor cover	1	ML183
15	2PB4025-1268G1	Paper separator	1	ML182 option
15	2PB4025-1269G1	Paper separator	1	ML183
16	3YX4025-1010G1	Printer mechanism	1	ML182
16	3YX4025-1201G1	Printer mechanism	1	ML183
17	4YA4021-1007G1	SLSQ printed circuit board	1	*
18	4YA4021-1001G017	SLMC-2 printed circuit board for maintenance without ROM	1	

Note: Parts indicated by * are common to both ML182 and ML183

ML 182/3

Figure 1 (con.)

Item No.	Part No.	Description	Qty	Remarks
19	3YX4021-1032G1	AC transformer assembly	1	ML182 (220/240V)
19	3YX4021-1032G2	AC transformer assembly	1	ML183 (220/240V)
20	3LP-45474-1	Transformer	1	ML182 (120V)
20	4YB4021-1031P1	Transformer	1	ML182 (220/240V)
20	3LP-45474-2	Transformer	1	ML183 (120V)
20	4YB4021-1031P2	Transformer	1	ML183 (220/240V)
21	3YU5003-5611G2	SLPB-2 printed-circuit board	1	120 V *
21	3YU5003-5611G3	SLPB-3 printed-circuit board	1	220 V / 240V *
23	4LP-7058-6	Cup screw (M-4, 1-6)	1	*
24	4LP-7058-8	Cup screw (M-4, L-8)	6	*
25	P (SW+2W) 4-12-HH	Screw 2	1	*
26	T2P3-8-G	Screw	1	*
27	<u>P (SW+2W) 3-8-HH</u>	Screw	3	*
28	<u>P (SW+W) 3-14-HH</u>	Screw	3	*
29	TRA182	Pin tractor unit	1	Option

NOTE. Parts indicated by * are common to both ML182 and ML183

www.drukparts.pl

ML 182/3

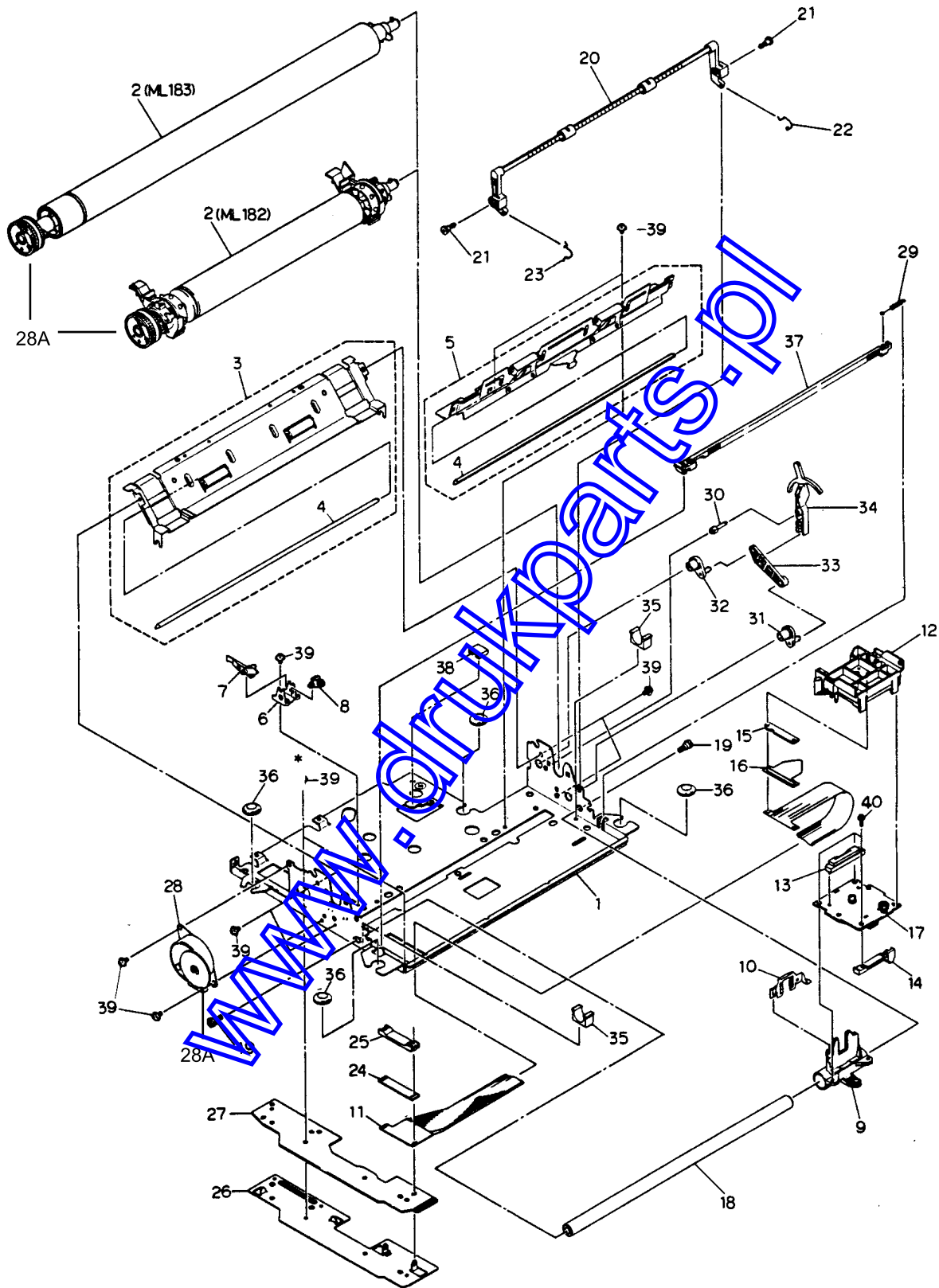


Figure 2 Printer Mechanism

ML 182/3

Figure 2 Printer Mechanism

Item No.	Part No.	Description	Qty	Remarks
1	1PP4025-1011P1	Base frame	1	ML182
1	1PP4025-1202P1	Base frame	1	ML183
2	4PA4025-1012G1	Platen assembly	1	ML182
2	4PA4025-1203G3	Platen assembly	1	ML183
3	3PA4025-1027G1	Paper chute assembly	1	ML182
3	3PA4025-1205G1	Paper chute assembly	1	ML183
4	4PB4025-1029P1	Pressure release shaft	2	ML182
4	4PB4025-1029P2	Pressure release shaft	2	ML183
5	3PA4025-1032G1	Bottom paper guide assembly	1	ML182
5	3PA4025-1207G1	Bottom paper guide assembly	1	ML183
6	4PP4025-1038P1	Near-end bracket	1	ML182
7	4PB4025-1039P1	Near-end lever	1	ML182
7	4PB4025-1211P1	Near-end lever	1	ML183
8	4PB4025-1040P1	Bottom near-end lever	1	*
9	4PP4025-1118G1	Carriage roller	1	*
10	4PP4025-1048P1	Head clamp	1	*
11	2PU4007-1065P1	Carriage cable	1	ML182
11	2PU4007-1065P2	Carriage cable	1	ML183
12	4PA4025-1075G1	Ribbon feed gear assembly	1	*
13	3PB4025-1116P1	Connector	1	*
14	4PB4025-1088P1	Slider	1	*
15	4PP4025-1114P1	Contact pressure rubber	1	*
16	4PP4025-1182P1	Cable clamp	1	*
17	4YX4025-1800G1	Space motor assembly	1	*
18	4PB4025-1089P1	Carriage shaft	1	ML182
18	4PB4025-1089P2	Carriage shaft	1	ML183
19	4PB4025-1090P1	Main shaft screw	2	*
20	4PA4025-2102G1	Indicator assembly	1	ML182
20	4PA4025-2410G2	Indicator assembly	1-	ML183
21	4PB4025-1096P1	Push shaft	2	*
22	4PB4025-2413P1	Pressure roller spring (R)	1	*
23	4PB4025-1139P1	Pressure roller spring (L)	1	*
24	4PP4025-1099P1	Contact rubber	1	*
25	4PB4025-1100P1	Card clamp	1	*
26	3PP4025-1103P1	Circuit support	1	*
27	2PU4003-5624P1	SLBS printed-circuit board	1	*
28	4PB4025-1105P1	LF motor	1	*
28A	09400307	Gear Kit 100	1	*
29	4PB4025-1106P1	Tension spring	1	*

NOTE. Parts indicated by * are common to both ML182 and ML183

ML 182/3

Figure 2 (con.)

Item No.	Part No.	Description	Qty	Remarks
30	4PB4025-1107P1	Release post	1	*NOTE
31	4PB4025-1108P1	Release link (front)	1	*
32	4PB4025-1109P1	Release link (rear)	1	*
33	4PB4025-1110P1	Release link	1	*
34	4PB4025-1113P1	Paper lock release lever	1	*
35	4PB4025-1115P1	Stopper rubber	2	*
36	4PB4025-1159P1	Grommet	4	*
37	3PB4025-1049P1	Space rack	1	ML182
37	3PB4025-1049P2	Space rack	1	ML183
38	4PP4025-1158P1	Radiating rubber	1	*
39	4LP-7057-6	Cup screw (ML = 3, L = 6)	1	*
40	P (SW+W) 3-8-HH	Screw	3	*

NOTE., Parts indicated by * are common to both ML182 and ML183

www.druckparts.nl

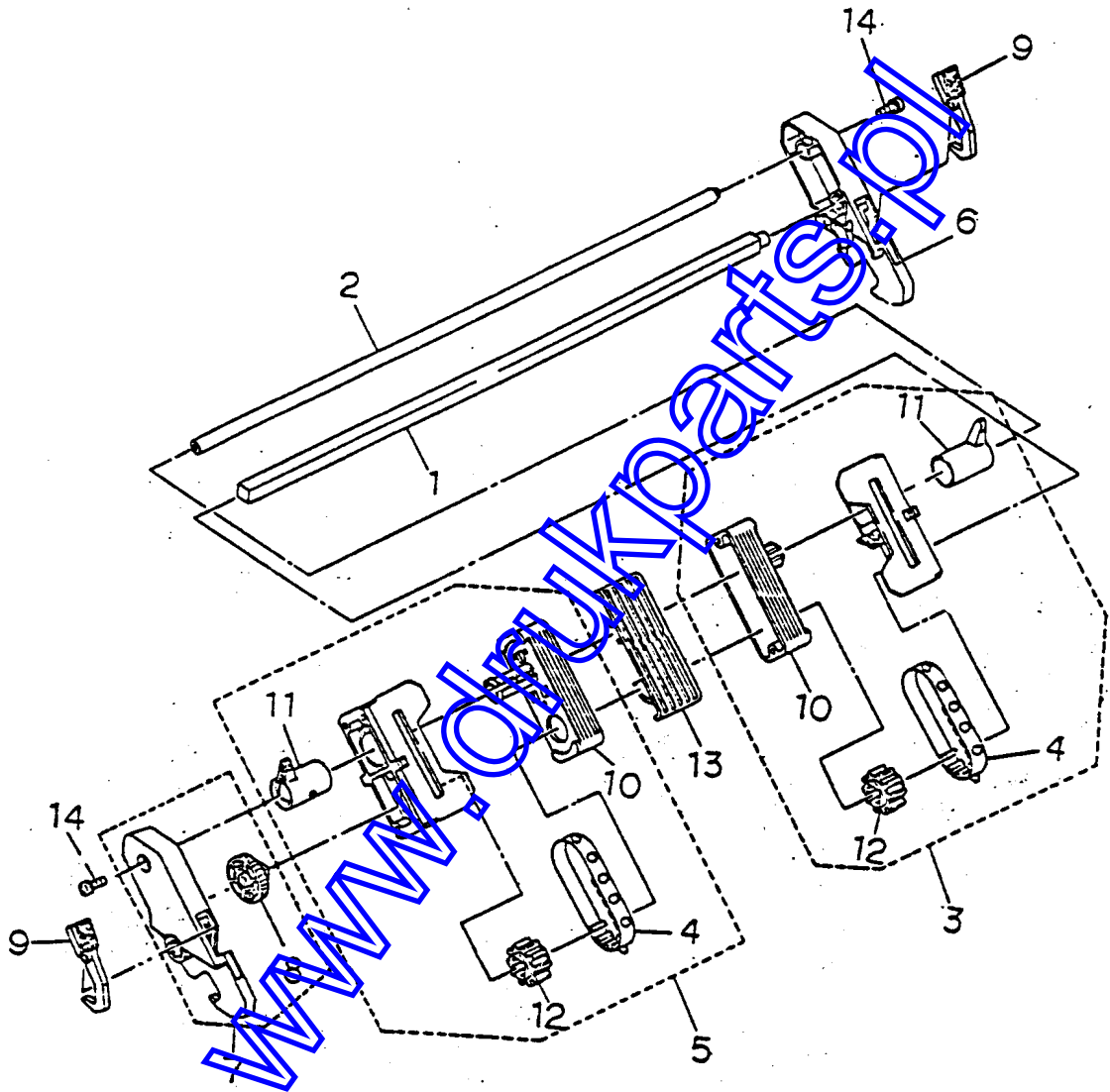


Figure 3 Pin Tractor Assembly

ML 182/3

Figure 3 Pin Tractor Assembly

Item No.	Part No	Description	Qty	Remarks
1	N.L.A.			
2	N.L.A.			
3	4PA4025-2636G1	Pin tractor assembly,(R)	1	ML182 option
4	N.L.A.			
5	4PA4025-2642G1	Pin tractor assembly (L)	1	ML182 option
6	3PB4025-1331PI	Side frame (R)	1	ML182 option
7	3PB4025-1333G1	Side frame (L)	1	ML182 option
8	4PB4025-1337P1	Drive gear	1	ML182 option
9	4PA4025-1339G1	Lock lever	2	ML182 option
10	N.L.A.			
11	N.L.A.			
12	N.L.A.			
13	4PP4025-2643P1	Sheet guide	1	ML183 only
14	P(SW+W) 3-6-HH	Screw	2	

www.druckparts.pl