

OEL Recommended Spare Parts List

B440



www.drukparts.pl

Revision 10

Rev	Unit Name	No.	Part No.	Part Name	Q'ty /Unit	Recommended Q'ty/Year			Remarks	Special (New Parts:*)	Del/ Add	Remarks for environment
						per 500	per 1000	per 2000				
	B420dn/B440dn	2-a	43991701	Cassette-Assy.-530sht	1	1	2	4		*		
	B420dn/B440dn	3	43895001	Frame-Assy-Retard	1	1	2	4				
	B420dn/B440dn	4	43963101	Spring-Retard	1	1	2	4				
	B420dn/B440dn	5	43993501	Frame-Assy.-Lower	1	1	2	4		*		
2	B420dn/B440dn	6	44071801	Roller Assy.-Feed	1	1	2	4		*		
9	B420dn/B440dn	12-b	43993905	Fuser-Assy.(230V)	1	5	10	20	230V	*		
	B420dn/B440dn	13-a	43994101	Front-Assy.-MPT	1	1	2	4		*		
	B420dn/B440dn	14-b	44019702	Cover Assy.-OPE(PN287-EURO)	1	1	2	4	B440dn OEL/AOS	*		
	B420dn/B440dn	18-a	43994701	Cover-Assy.-Rear	1	1	2	4		*		
2	B420dn/B440dn	19-a	43994801	Cover-Assy.-Stacker(1200dpi)	1	1	2	4	B440dn OEL/AOS	*		
10	B420dn/B440dn	20-a	43910701	Cover-Side-L	1	1	2	4		*		
10	B420dn/B440dn	29-a	43963611	Board-87M(MN)	1	1	2	4	B440dn CU board(NIC,OEL) Rev. Version: CU:02.00, NIC:01.00/W1.03	*		
	B420dn/B440dn	31-a	43994901	Duplex-Assy.	1	1	2	4		*		
6	B420dn/B440dn	39	LP-6401-B1	TYING CORD	1	1	2	4				
	Base-Assy	5	2233013P0080	9715B-08Z02-G4C	1	1	2	4		*		
	Base-Assy	7	43961301	CONN Cord-AMP8P-AMP8P	1	1	2	4		*		
2	Base-Assy	17	43905401	Gear-Assy-Clutch	1	1	2	4		*		
	Base-Assy	19	43000601	Roller-Feed-NOW	1	1	2	4				
	Base-Assy	20	42699401	Roller-Pick-Up	1	1	2	4				
	Base-Assy	25	43961501	CONN Cord-AMP7-AMP3PX2	1	1	2	4		*		
	Base-Assy	26	40135301	Photo-Interrupter	2	2	4	8				
8	Frame-Lower-Assy	5	44252301	OR-Board-T	1	1	2	4	Master part of 43998001			
	Frame-Lower-Assy	6	43903301	Lever-In-Sensor	2	2	4	8		*		
	Frame-Lower-Assy	7	42797101	Spring-Sensor_In	1	1	2	4				
	Frame-Lower-Assy	8	41415801	Spring-Write Sensor	1	1	2	4				
	Frame-Lower-Assy	9	43993601	Sensor-Toner(Adhesive)	1	1	2	4		*		
	Frame-Lower-Assy	10	43206401	Lever-Eject-Sensor	1	1	2	4				
	Frame-Lower-Assy	11	40386501	Spring-SNS(F/R)	1	1	2	4				
	Frame-Lower-Assy	13	43961401	CONN Cord-AMP6P-AMP3PX2	1	1	2	4		*		
	Frame-Lower-Assy	14	43979601	Roller-Transfer(282)	1	1	2	4		*		
	Frame-Lower-Assy	16	43330101	Bearing-TR	2	2	4	8				
6	Frame-Lower-Assy	18	43903601	Lever-Reset-L	1	1	2	4		*		
	Frame-Lower-Assy	20	44009501	OR-Roller-Back up	1	1	2	4				
	Frame-Lower-Assy	22	43448601	Holder-BU	2	2	4	8				
	Frame-Lower-Assy	23	41584201	Bearing-Ball	2	2	4	8				
	Frame-Lower-Assy	24	PP4120-1210P001	WASHER C	1	1	2	4				
4	Frame-Lower-Assy	25	43448702	Collar	2	2	4	8		*		
	Frame-Lower-Assy	26	43903701	Roller-Registration	1	1	2	4		*		

Rev	Unit Name	No.	Part No.	Part Name	Q'ty /Unit	Recommended Q'ty/Year			Remarks	Special (New Parts:*)	Del/ Add	Remarks for environment
						per 500	per 1000	per 2000				
	Frame-Lower-Assy	31	41279401	Bearing-Pressure	2	2	4	8				
	Frame-Lower-Assy	35	41279301	Bearing-Regist L	1	1	2	4				
	Frame-Lower-Assy	36	PP4083-6031P001	BEARING R	2	2	4	8				
6	Frame-Lower-Assy	38	43904001	Lever-Reset-R	1	1	2	4		*		
	Frame-Lower-Assy	52-a	43905402	Gear-Assy-Clutch	1	1	2	4	Cable color;Blue	*		
	Frame-Lower-Assy	52-b	43905403	Gear-Assy-Clutch	1	1	2	4	Cable color;Yellow	*		
	Frame-Lower-Assy	54	43906601	Motor-DC-Main	1	1	2	4		*		
4	Frame-Lower-Assy	55	44120401	SOFT GASKET NLGG	1	1	2	4		*		
7	PCB-Assy	2-b	44339001	PWR unit-ACDC Switch(230V)	1	1	2	4	Low voltage power supply board(230V)	*		
	PCB-Assy	3	43957601	JST8P-JST8P CONN Cord-Wire	1	1	2	4		*		
8	PCB-Assy	4	44263801	OR-Board-87H	1	1	2	4	High voltage power supply board (Master part of 43963701)			
4	PCB-Assy	5	44121001	Film-Guide-Dup	1	1	2	4		*		
6	Front-Guide-Assy	3	43355101	Roller-Pinch	1	1	2	4		*		
	Front-Guide-Assy	6-a	43418001	Frame-Assy.-Separator	1	1	2	4				
4	Front-Guide-Assy	6-b	43418002	Frame-Assy.-Separator(Black)	1	1	2	4	Black-Version	*		
	Front-Guide-Assy	7	42069901	Spring-Separator	1	1	2	4				
	MPT-Assy	4	43922301	Roller-Assy-MPT	1	1	2	4				
6	MPT-Assy	6-a	43958001	Cover-Guide	1	1	2	4		*		
	Rear-Cover-Assy	2	43988401	Solenoid	1	1	2	4		*		
	Rear-Cover-Assy	9	43995301	Roller-Assy.-Eject(FU)	1	1	2	4		*		
	Rear-Cover-Assy	10	43995401	Roller-Assy.-Eject(FD)	1	1	2	4		*		
	Stacker-Cover-Assy	8-a	43406901	LED Head Unit-61STB	1	1	2	4	B420dn 600dpi	*		
	Stacker-Cover-Assy	8-b	43932001	LED Head Unit-61STB	1	1	2	4	B440dn 1200dpi	*		

WWW.DUKPARTS.COM

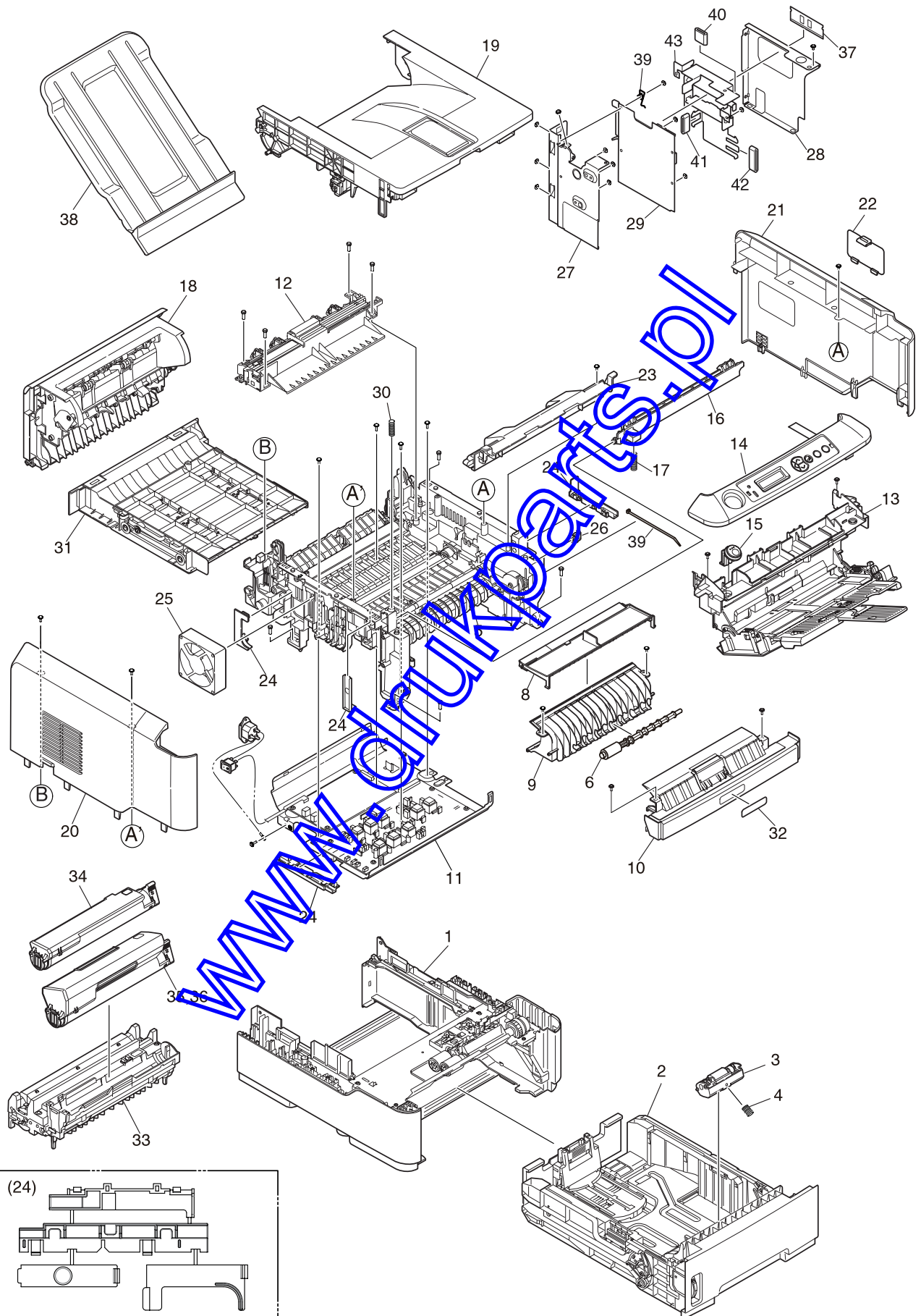
OEL Disassembly Drawing

B440

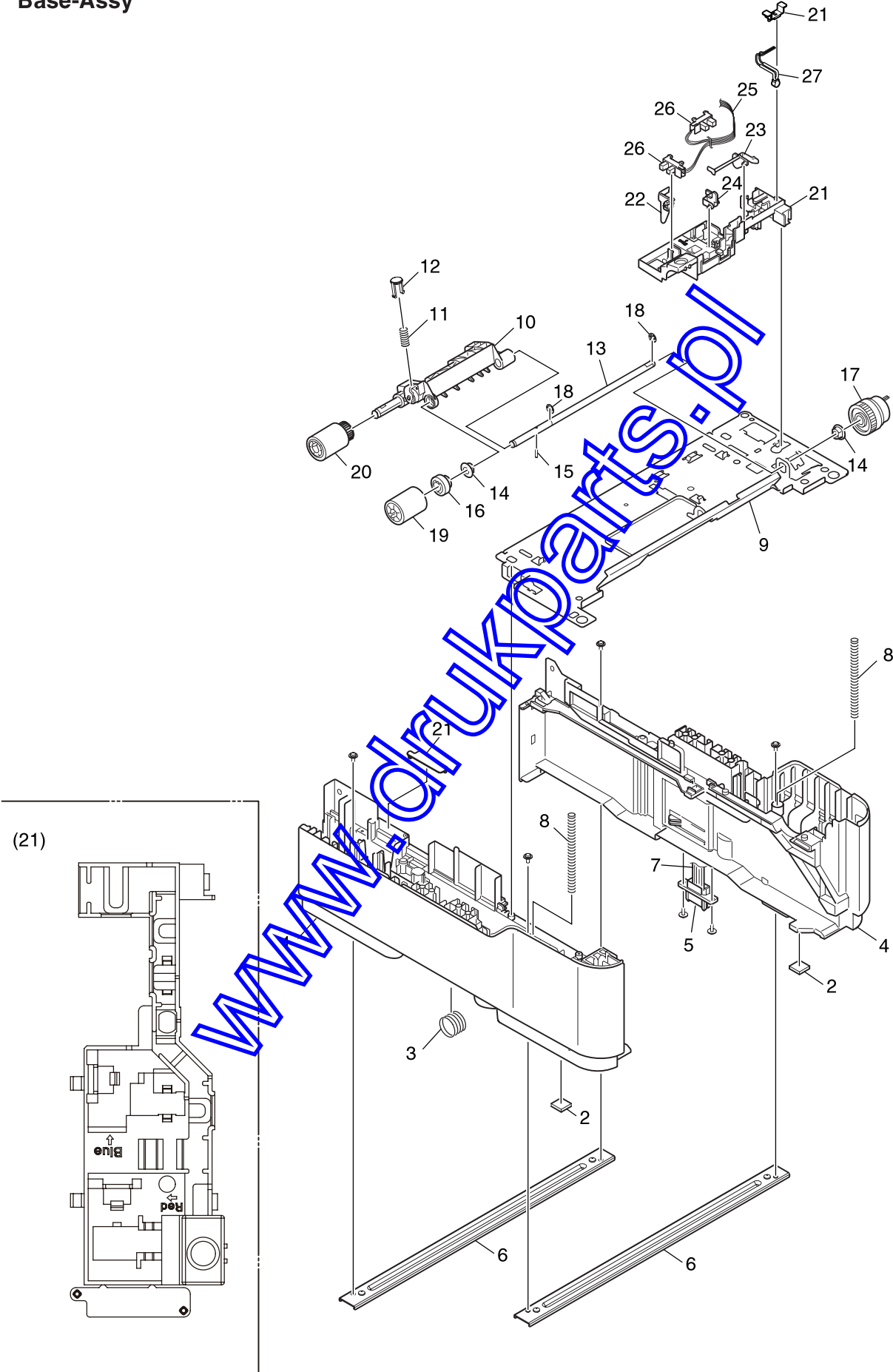


Revision 2

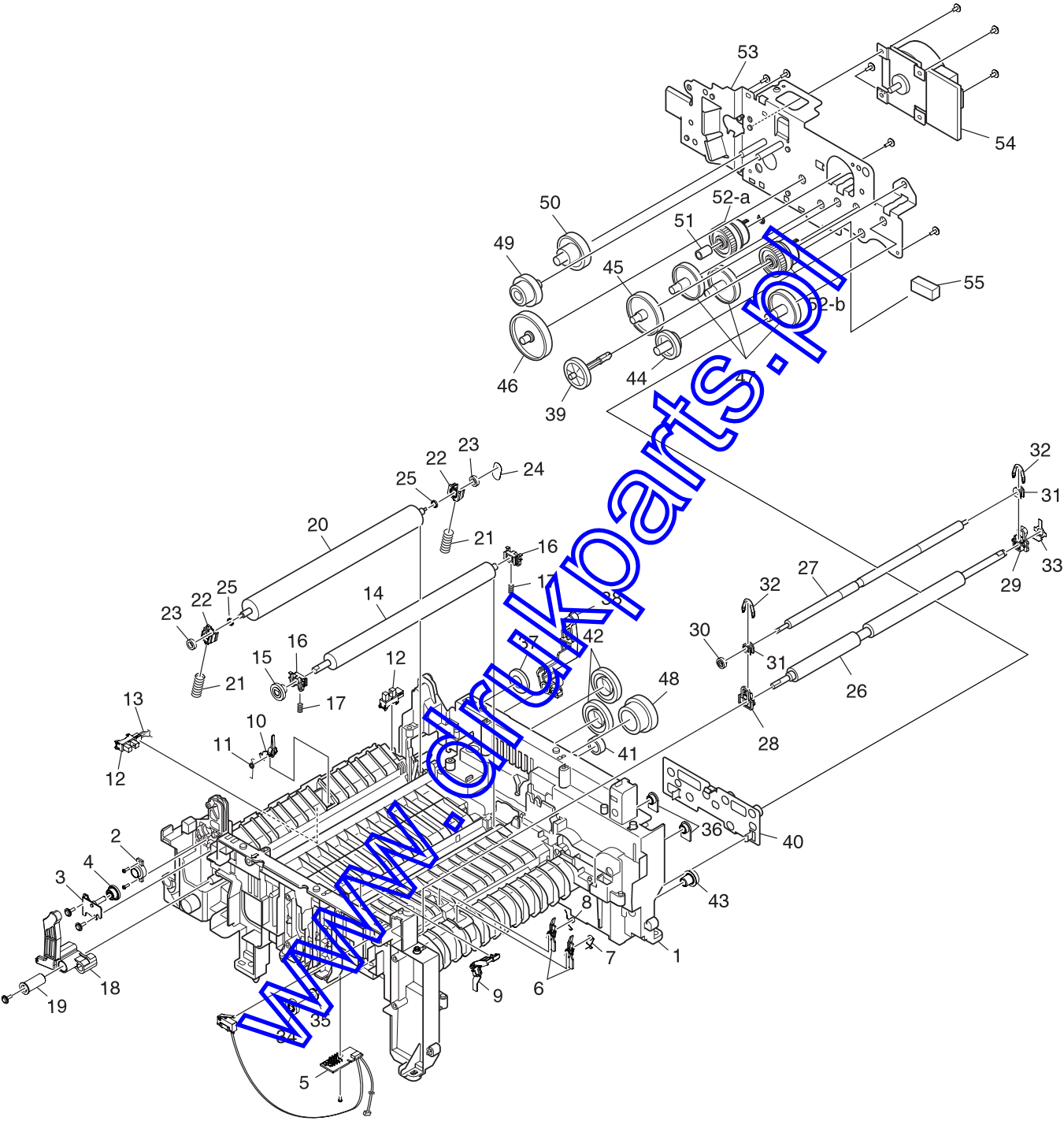
B440dn



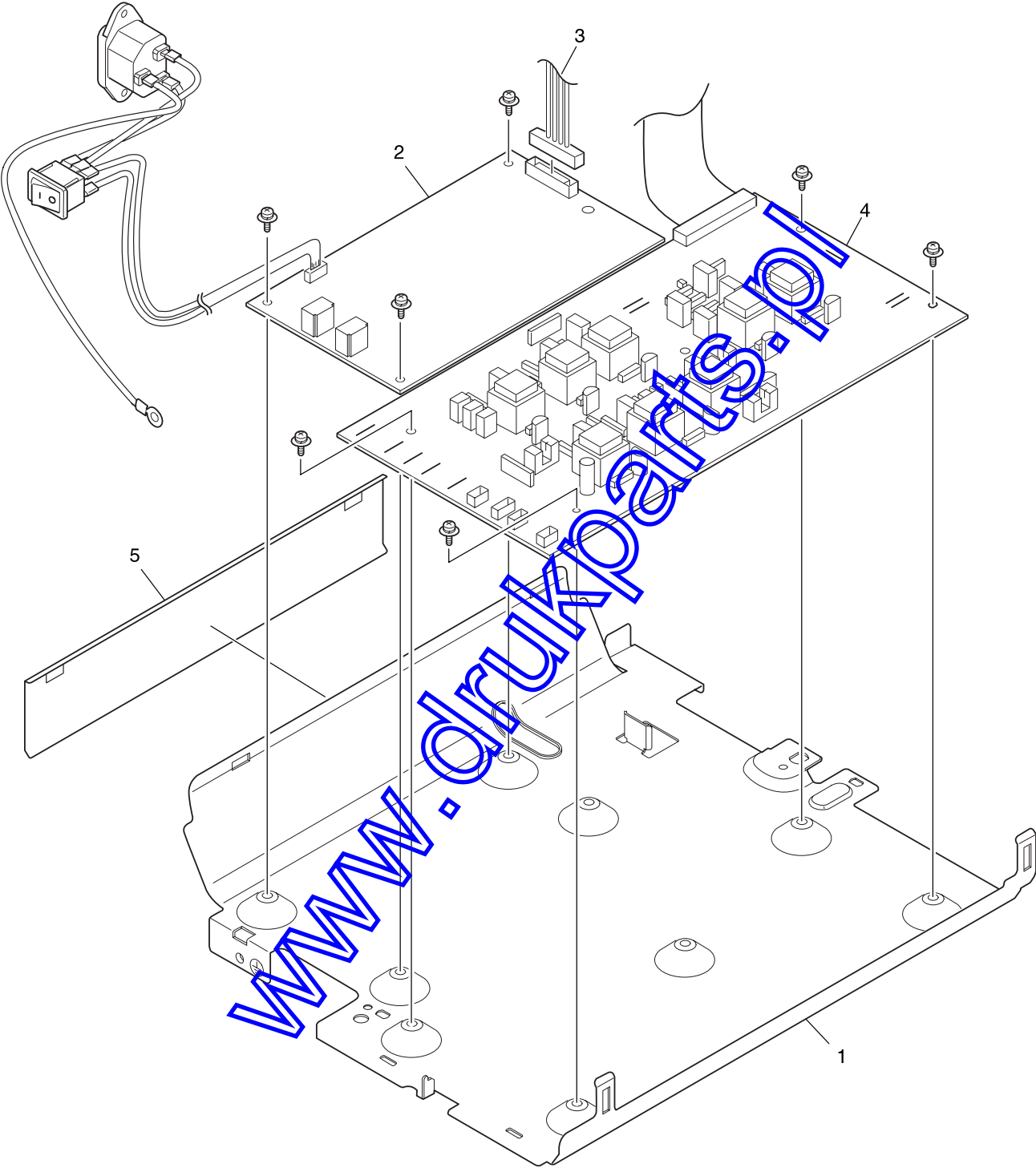
Base-Assy



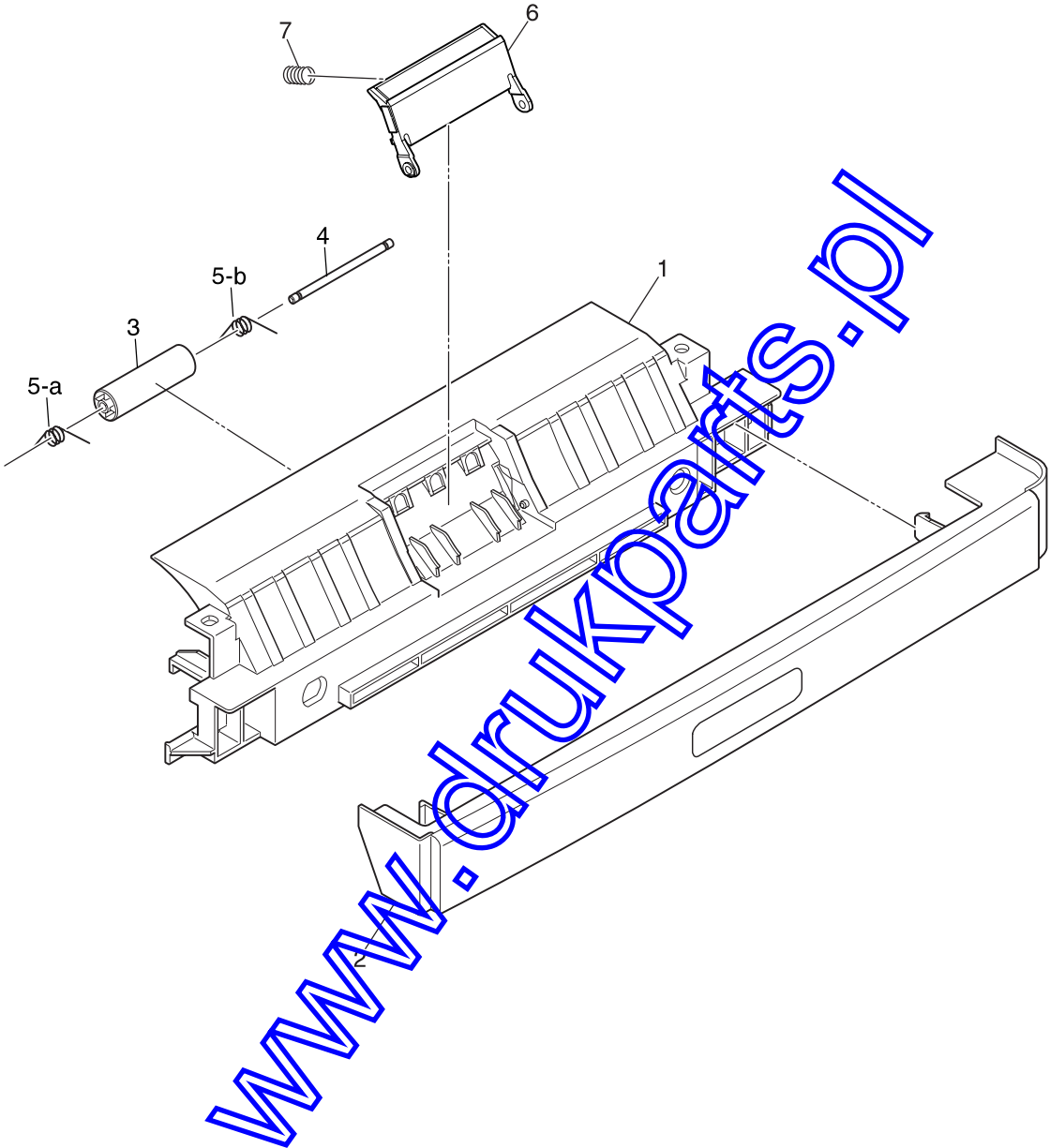
Frame-Lower-Assy



PCB-Assy

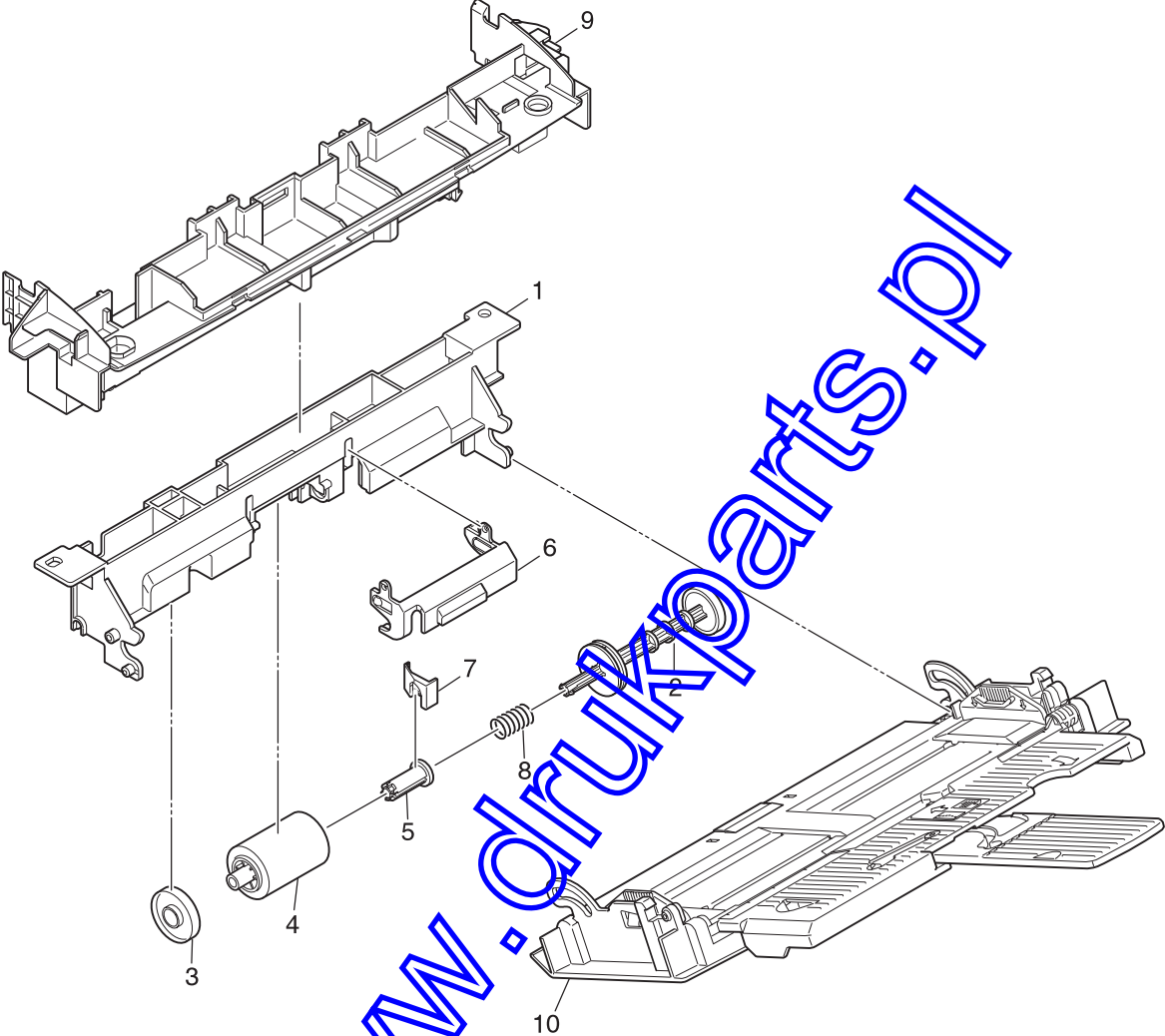


Front-Guide-Assy

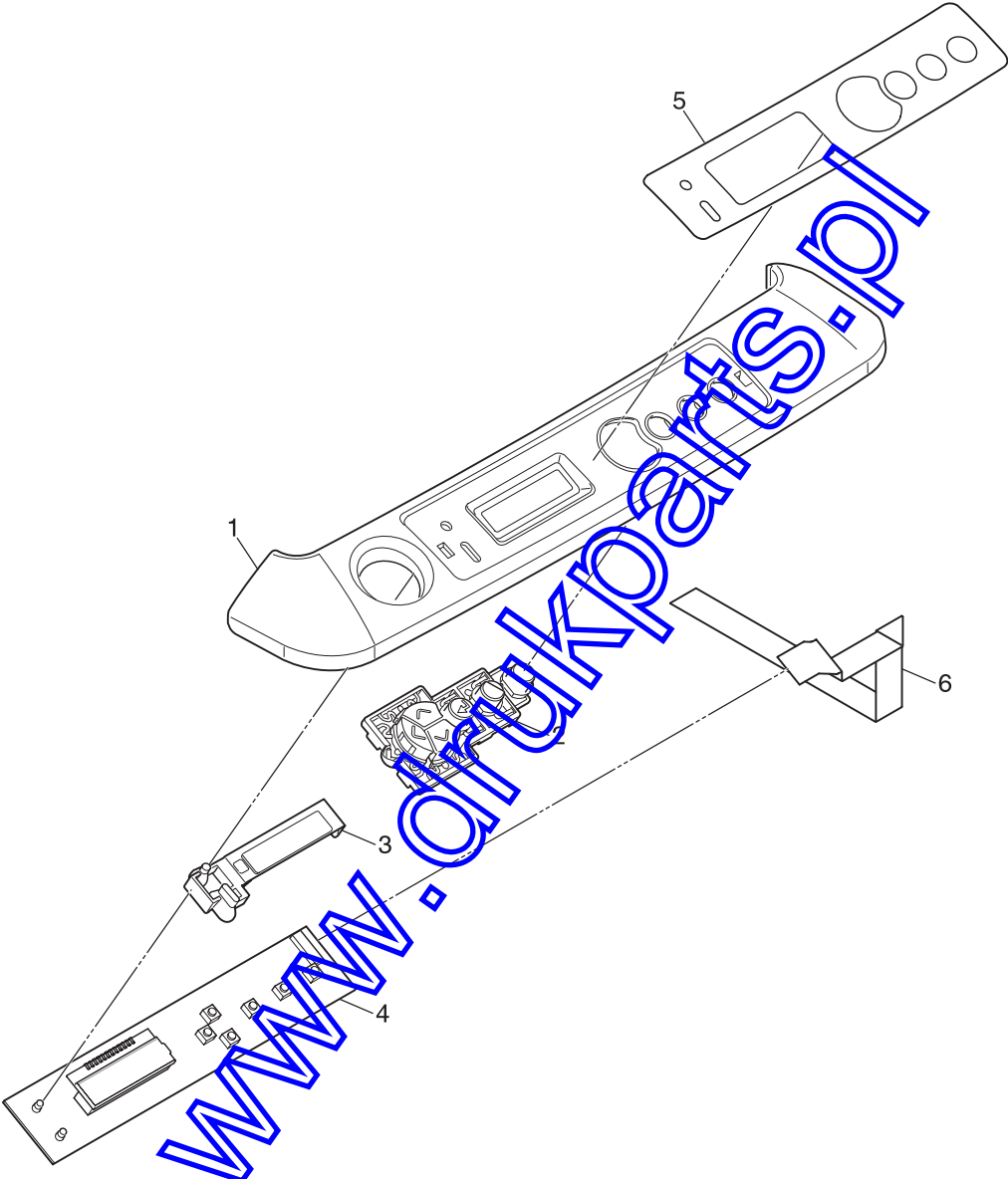


www.drukparts.pl

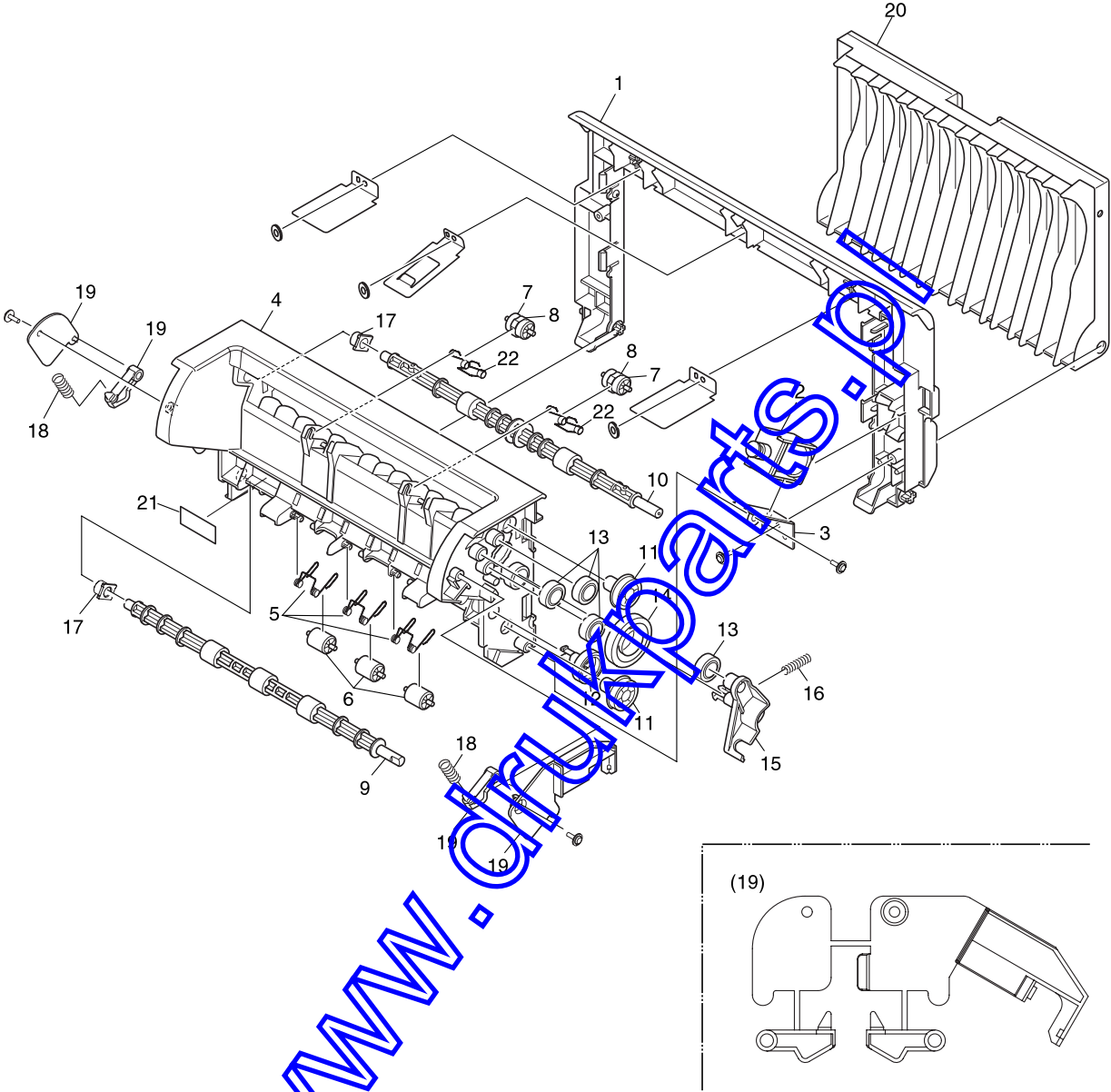
MFP-Assy



OPE-Cover-Assy



Rear-Cover-Assy



Stacker-Cover-Assy

