

EPSON

LX1170

With supplement for Optional Pull Tractor – C800341

Page 1

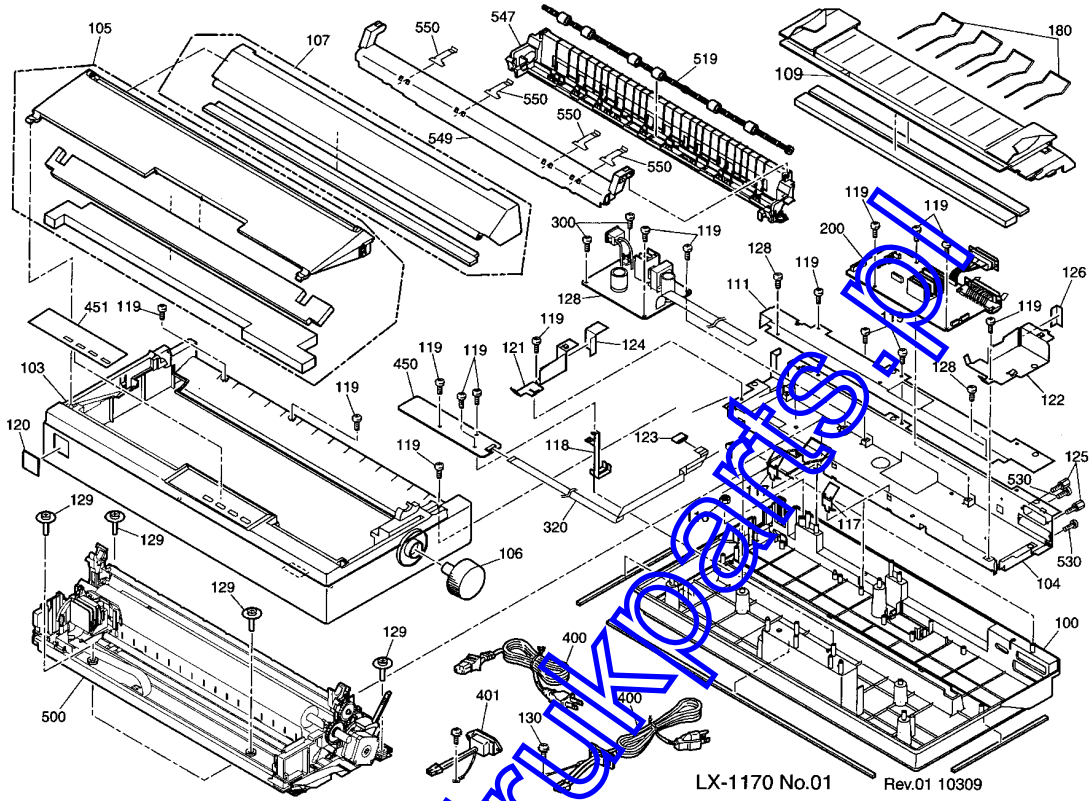
REF	PART NO	DESCRIPTION	SPEC	QTY
100	1074856	HOUSING ASSY.,LOWER		1
103	1061379	HOUSING,UPPER		1
104	1061384	SHIELD PLATE,LOWER		1
105	1074864	COVER ASSY.,PRINTER		1
106	1061397	KNOB		1
107	1074865	COVER ASSY.,PRINTER,REAR		1
109	1074860	SHEET GUIDE ASSY.		1
111	1061385	SHIELD PLATE,UPPER		1
116	B070200411	HEXAGON NUT	M4	1
117	1061386	GROUNDING PLATE		2
118	1052564	GROUNDING PLATE,PANEL		1
119	1012350	C.B.P-TITE,3X10,F/ZN		22
120	1079974	LOGO PLATE		1
121	1061382	GROUNDING PLATE,LEFT		1
122	1061383	GROUNDING PLATE,RIGHT		1
123	1053926	FERRITE CORE,FPC-25-20		1
124	1061387	SHEET,PROTECT,L		1
125	X610058724	CONNECTOR LOCK NUT		2
126	1061388	SHEET,PROTECT,R		1
128	B300200111	C.B.S. SCREW	M3X4	3
129	1013733	C.B.B-TITE(P(13)),3X14,F/ZN		4
130	B045800115	C.B.(O) SCREW 4X8 F/ZG	M4X8 F/ZG	1
180	1054395	GUIDE,STACKER		2
200	2047624	BOARD ASSY.,MAIN	5655B STANDARD (C406)	1
300	2047626	BOARD ASSY.,POWER SUPPLY	5716B STANDARD (C406)	1
320	2033548	HARNESS		1
400	2006741	POWER CABLE,BS31303SA-SR-10A	240V	1
401	2018028	HARNESS	220V/230V/240V	1
450	2033545	BOARD ASSY.,PANEL	5657A STANDARD	1
451	1051927	SHEET,PANEL		1
500	2054193	PRINTER MECH,M-3N60-100		1
501	1074847	FRAME ASSY.,LEFT		1
502	1061315	FRAME,RIGHT		1
503	2032892	MOTOR ASSY.,CR		1
504	1050423	EXTENSION SPRING,8.10		1
505	1050611	LEVER ASSY.,PLANET		1
506	1061321	SHAFT,CR,GUIDE		1
507	B150300911	RETAINING RING	TYPE-E(6)	1
508	1061347	GROUNDING PLATE,PR GUIDE,UPPER		1
509	1018157	SPUR GEAR,13.2		1
510	1018158	COMBINATION GEAR,5.1,1/6.2		2
511	2042350	MOTOR ASSY.,PF		1
512	1061328	COVER,RD		1
513	1022466	RATCHET,RD		1
514	2014283	DETECTOR,LEAF,PF	00V0A	3
515	1018191	GROUNDING WIRE,TYPE-P		1
516	1050612	PULLEY ASSY.,DRIVEN		1
517	2042347	HARNESS,HP		1
518	B310104611	C.P.B SCREW	M3X14	1
519	1061337	ROLLER,PAPER EJECT		1
520	1061331	PAPER GUIDE		1
521	2032887	DETECTOR,PE,REAR		1
522	2042351	HARNESS,PE,REAR		1
523	2032888	DETECTOR,PE,BOTTOM		1
524	2042352	HARNESS,PE,BOTTOM		1
525	1050413	HOLDER,ROLLER,PF		4
526	1050408	ROLLER,PF,DRIVEN		4
527	1056656	ROLLER,PF,DRIVE,REAR;B		4
528	1050424	COMPRESSION SPRING,13.72		4
529	1061329	SHAFT,RELEASE		1
531	B150301111	RETAINING RING	TYPE-E(8)	2
532	1008995	BUSHING,I1		2
533	1008637	U-TYPE,11.2X0.13X16S/NA		1
534	B100166990	PLAIN WASHER	11.3X0.5X16.5	1

EPSON

LX1170

Page 2

REF	PART NO	DESCRIPTION	SPEC	QTY
535	1061335	PLATEN		1
536	1080357	CARRIAGE SUB ASSY.		1
537	1061317	GROUNDING PLATE,HEAD		1
538	1061320	OIL PAD		1
539	1060745	LEVER,G,ADJUST		1
540	1061324	RIBBON MASK		1
541	1061323	TIMING BELT		1
542	1061327	BUSHING,PARALLEL,ADJUST		2
543	2042338	CABLE,HEAD		1
544	2042349	HARNESS,PG		1
545	1061333	PAPER GUIDE,LOWER		1
546	1061332	PAPER GUIDE,UPPER		1
547	1061336	BASE,PAPER EJECT		1
549	1061339	COVER,PAPER EJECT		1
550	1061340	LEAF SPRING,PAPER EJECT		4
551	1018219	PAPER SUPPORT		1
552	1050411	FRAME,TR,RIGHT		1
553	1050412	FRAME,TR,LEFT		1
554	1050417	TRACTOR,LEFT		1
555	1050418	TRACTOR,RIGHT		1
556	1061342	SHAFT,TR,DRIVE		1
557	1061343	SHAFT,TR,GUIDE		1
558	B150300811	RETAINING RING	TYPE-E(5)	2
559	1018193	DAMPER		2
560	1061313	FRAME,BASE		1
561	1061334	PAPER GUIDE,SUPPORT		1
562	1052120	GROUNDING PLATE,SHAFT,CR		1
563	1052348	SHEET,CABLE,HEAD		1
564	1021543	GEAR,34		1
565	1050415	SPUR GEAR,27.5		1
566	B100153090	PLAIN WASHER	8X0.3X10	1
567	1050425	COMPRESSION SPRING,1.18		1
568	1050416	COMBINATION GEAR,8.5,25.2		1
569	2032891	HARNESS,RELEASE		1
571	1050409	COMBINATION GEAR,17.5,27		1
590	1050410	LEVER,RELEASE		1
592	1065454	SHEET,CABLE,CR		1
593	1018190	SPUR GEAR,17		1
594	B150300911	RETAINING RING	TYPE-E(6)	1
650	F078010	PRINT HEAD,D3910-1		1
651	1061316	DAMPER,FRAME,BASE		2
N/A	4013779	USER'S GUIDE	USER'S GUIDE	1
		SUPPLEMENT FOR OPTIONAL PULL TRACTOR C800341		
800	1050412	FRAME,TR,LEFT		1
801	1050411	FRAME,TR,RIGHT		1
802	1050417	TRACTOR,LEFT		1
803	1050418	TRACTOR,RIGHT		1
804	1061346	SHAFT,TR,PULL		1
805	1061343	SHAFT,TR,GUIDE		1
806	1018219	PAPER SUPPORT		1
807	1019485	KNOB,TR,PULL		1
808	1019491	COMPRESSION SPRING,100		1
809	B100166012	PLAIN WASHER	8X0.5X15	1
810	B150300811	RETAINING RING	TYPE-E(5)	2
811	B150300911	RETAINING RING	TYPE-E(6)	3
N/A	4013800	USER'S GUIDE	USER'S GUIDE	1
END				



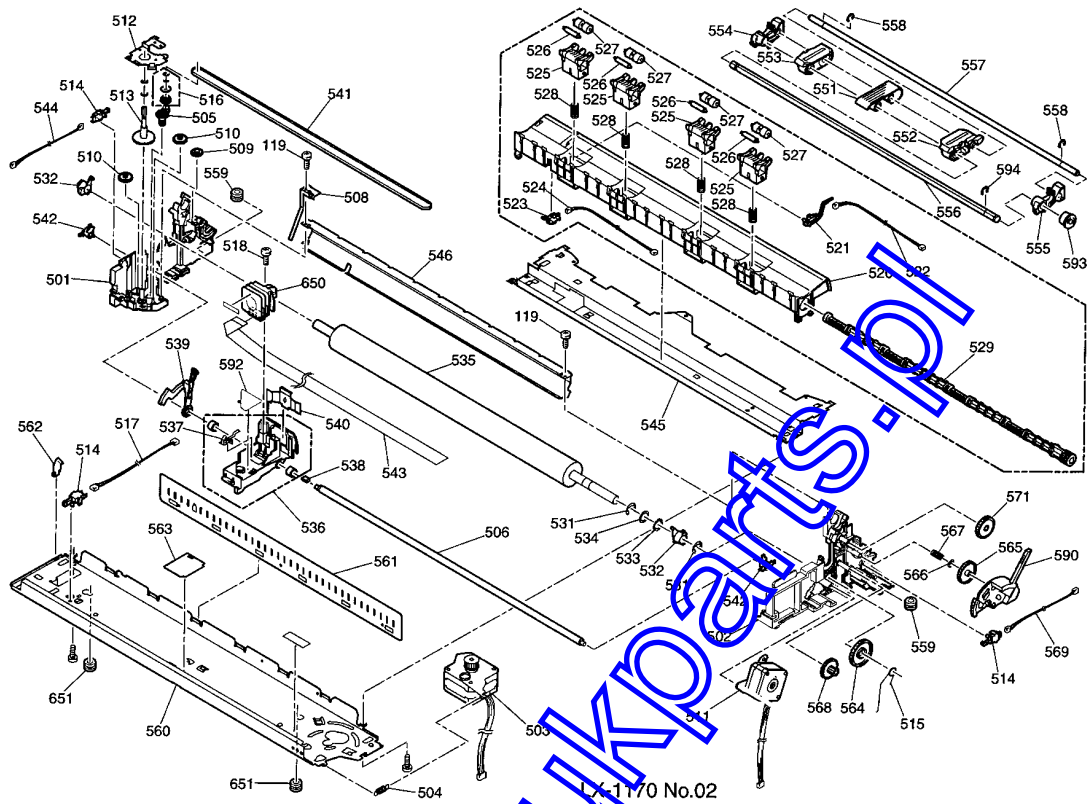
LX-1170 No.01 Rev.01 10309

www.drivertips.com

EPSON

LX1170

Page 4



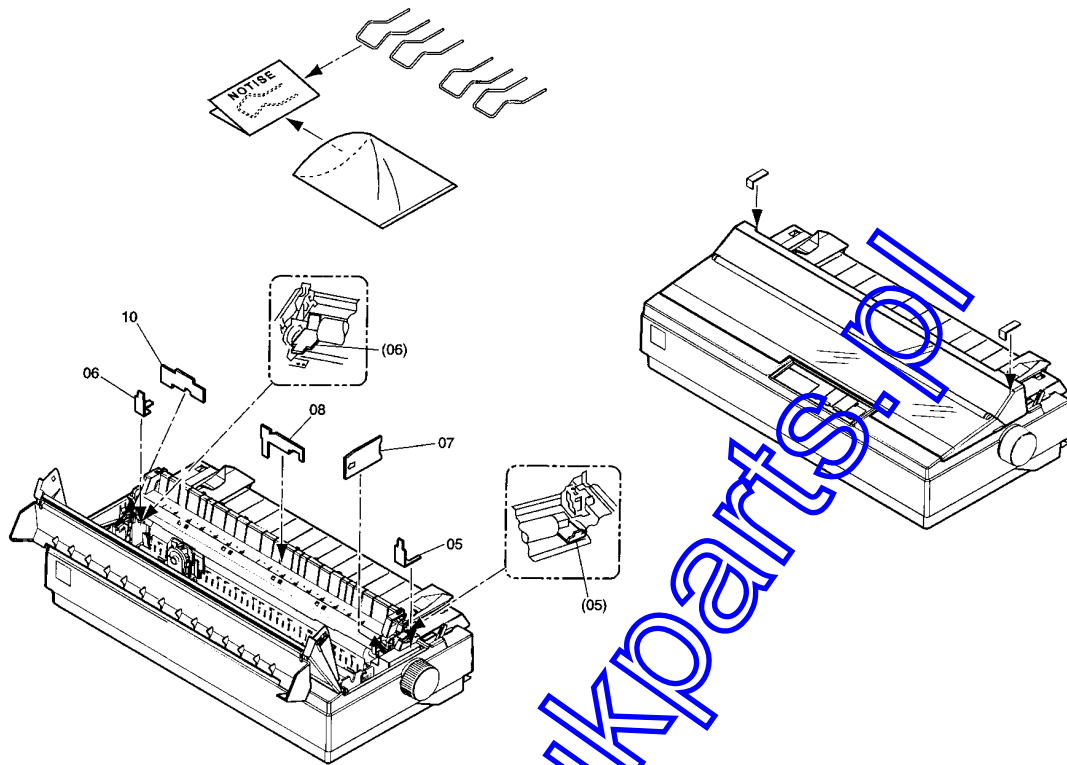
www.druckarts.pl

LX-1170 No.02

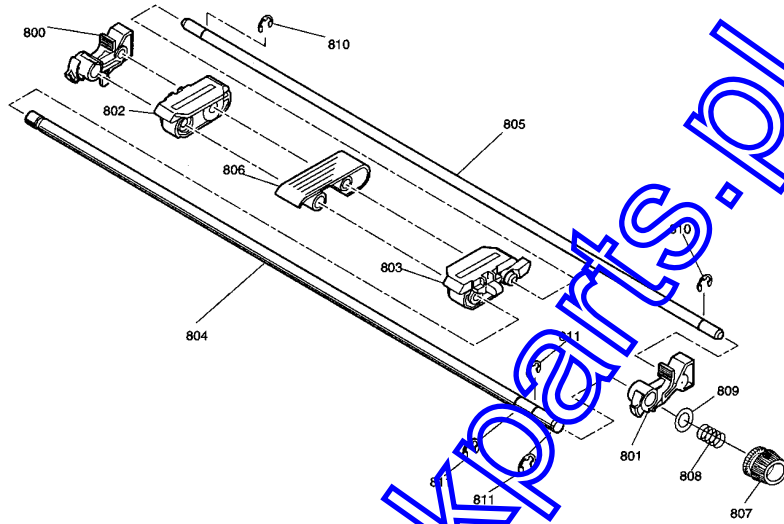
EPSON

LX1170

Page 6



LX-1170 No.04 Rev.01 10309



LX-1170 OPTION (PULLEY TRACTOR UNIT)