

EPSON

LQ-630

NB: Part Number rationalisation – 10 digit part numbers in brackets are the old numbers for otherwise identical items

Page No.:1

REF	PART NO	DESCRIPTION	SPEC	QTY
100	1155763	HOUSING,ASSY.LOWER		1
101	1230559	HOUSING ASSY.,UPPER		1
102	1155764	COVER,PRINTER,ASSY.		1
103	1155766	SHEET GUIDE ASSY.		1
104	1103764	OPTICAL TUBE		1
105	1103765	BUTTON,PANEL		1
106	1103766	COVER,PANEL		1
107	1103767	HOLDER,AC,CABLE		1
108	1103768	SHIELD PLATE,COVER		1
109	1103769	SOUND ABSORBER,A		1
110	1108118	SHEET,PANEL;B		1
111	1218798	LOGO PLATE;B		1
112	1103854	ROLLER,DRIVEN		4
113	1230147	SOUND ABSORBER;E		2
114	1230146	SOUND ABSORBER;D		4
121	1073114	C.B.(O) SCREW 4X8 F/ZG(B045800115)	M4X8 F/ZG	1
122	1073165	C.B.S. SCREW(B300204211)	M3X6	11
123	1073169	C.B.S. SCREW(B300204711)	M3X6	2
124	1003164	C.B.P-TITE SCREW,3X12,F/ZN		6
125	1076213	HEXAGON NUT(B070200411)	M4	1
200	2072984	BOARD ASSY., MAIN	5854B,STANDARD	1
300	2069036	BOARD ASSY., POWER SUPPLY	5855B,STANDARD	1
400	2002364	POWER CABLE,(VD31303SA-10A)	230V	1
500	2075983	PRINTER MECHANISM(ASP),M-5V (9-100)		1
501	F101010	PRINT HEAD, D823V1	24	1
502	1156255	COVER, HEAT SINK		1
503	2068961	MOTOR ASSY.,PAPER FEED	30.6W,	1
510	1091661	FRAME ASSY.,LEFT		1
511	1091663	FRAME ASSY.,RIGHT		1
512	1091664	FRAME,ROLLER DRIVEN FRONT		1
513	1091665	LEVER,DETECTOR,PE,REAR		1
514	1091666	SHAFT,TR		1
515	1091667	ROLLER,DRIVE REAR		1
516	1091668	ROLLER,DRIVE FRONT		1
517	1103813	FRAME,CARRIAGE		1
518	1103814	GUIDE,CARRIAGE		1
519	1231616	SUPPORT PLATE,FRAME,RIGHT		1
520	1103816	HOLDER,CABLE,HEAD		1
521	1155760	CARRIAGE ASSY.		1
522	1103820	DRUM PAD		1
523	1103822	SHAFT,CARRIAGE GUIDE		1
524	1103823	PULLEY,DRIVEN		1
525	1103824	SHAFT,PULLEY,DRIVEN		1
526	1103825	HOLDER,PULLEY,DRIVEN		1
527	1103826	COMPRESSION SPRING,24.78		1
528	1103827	TIMING BELT		1
529	1103828	BUSHING,LEFT		1
530	1103829	BUSHING,RIGHT		1
531	1103830	LEVER,G,ADJUST		1
532	1103831	RATCHET,RIBBON DRIVE		1
533	1103832	HOUSING,RIBBON DRIVE		1

EPSON

LQ-630

NB: Part Number rationalisation – 10 digit part numbers in brackets are the old numbers for otherwise identical items

Page No.:2

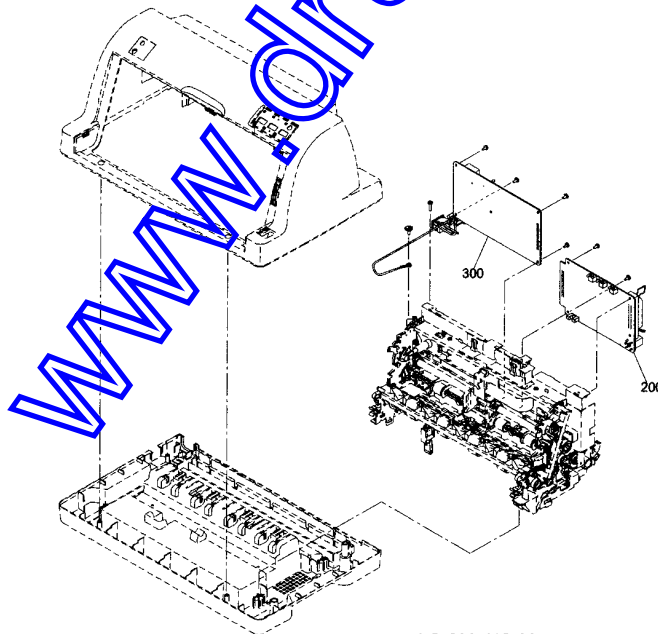
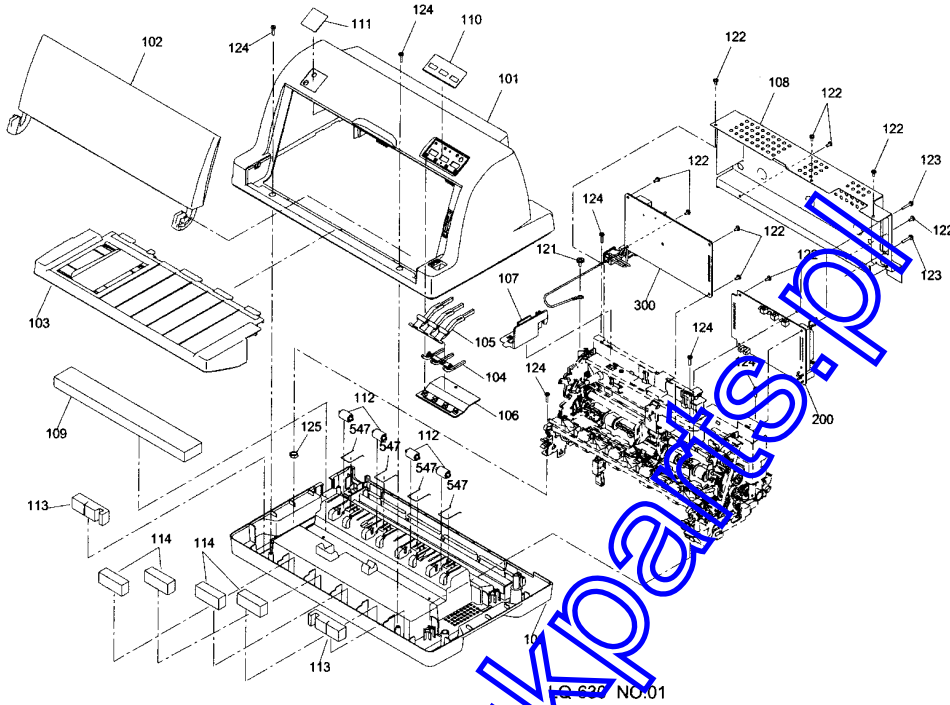
REF	PART NO	DESCRIPTION	SPEC	QTY
534	1103833	LEVER,PLATEN		1
535	1103834	COMBINATION GEAR,8.5,20		1
536	1103835	SPUR GEAR,9.5		1
537	1103836	COMBINATION GEAR,8.5,19		1
538	1213086	SHAFT,RIBBON DRIVE ,PLATEN;B		1
539	1103843	COMPRESSION SPRING,1.90		1
540	1103844	GROUNDING WIRE,SHAFT,CR		1
541	1103846	PLATEN ASSY.		1
542	1103819	SLIDER,CARRIAGE, REAR		1
543	1103821	COMPRESSION SPRING,0.98		1
544	1155761	PAPER EJECT ASSY.		1
545	1103850	PAPER GUIDE		1
546	1103854	ROLLER,DRIVEN		1
547	1103859	SPRING,DRIVEN,REAR		4
548	1103860	SPRING,DRIVEN,FRONT		1
549	1103862	COMBINATION GEAR,30,8.5		1
550	1103863	SPUR GEAR,18		1
551	1103864	SPUR GEAR,22		1
552	1103865	SPUR GEAR,27.5		1
553	1103866	COMPRESSION SPRING,1.28		1
554	1103867	LEVER,DISENGAGE		1
555	1103868	HOLDER,DETECTOR,PE,FRONT		1
556	1103869	HOLDER,ROLLER,DRIVE,REAR		1
557	1103870	EXTENSION SPRING,1.54		1
558	1103875	PAPER SUPPORT,TR		1
559	1104282	LEVER,ADJUST		1
560	1104796	GROUNDING PLATE,HEAD		1
561	1104797	TRACTOR ASSY.,RIGHT		1
562	1104798	TRACTOR ASSY.,LEFT		1
563	1108198	PLAIN WASHER,6.5X0.5X10.5/Na		1
564	2020393	DETECTOR,LEAD,AB2	1,0V,0A,	1
565	2068883	CABLE,HEAD		1
567	2068884	HARNESS HP	...	1
568	2068885	HARNESS PG	...	1
569	2068886	HARNESS,DISENGAGE	...	1
570	2068887	HARNESS,PAPER END ,FRONT	...	1
571	2068889	DETECTOR,PE,FRONT	..	1
572	2068960	MOTOR ASSY.,CARRIAGE	27.3W,	1
580	1011130	C.B.S. SCREW(B310104611)	M3X14	1
581	1013593	C.B.-TITE(O)SCREW,3X8,F/ZN		1
582	1024505	HEXAGON NUT,NORMAL,M3		1
583	1073165	C.B.S. SCREW(B300204211)	M3X6	1
584	1073210	C.B.S.(P) SCREW(B303104411)	M3X10	1
585	1024130	C.B.P-TITE SCREW,3X6,F/ZN		1
586	1073568	CUT WASHER(F334101070)		1
587	1076269	PLAIN WASHER(B100167090)	4.1X0.2X7.8	1
N/A	1027628	LABEL,WARNING		1
N/A	1232242	GREASE G-64		1
END				

EPSON

LQ-630

NB: Part Number rationalisation – 10 digit part numbers in brackets are the old numbers for otherwise identical items

Page No.:3



LQ-630 NO.02

EPSON

LQ-630

NB: Part Number rationalisation – 10 digit part numbers in brackets are the old numbers for otherwise identical items

Page No.:4

